



US00D503006S

(12) **United States Design Patent**  
**May et al.**

(10) **Patent No.: US D503,006 S**  
(45) **Date of Patent: \*\* Mar. 15, 2005**

(54) **PORTABLE LANTERN**

(75) Inventors: **Randall L. May**, Plano, TX (US);  
**Gary P. Israel**, Lantana, TX (US);  
**Robert J. Gross**, Addison, TX (US)

(73) Assignee: **The Brinkmann Corporation**, Dallas,  
TX (US)

(\*\*) Term: **14 Years**

(21) Appl. No.: **29/202,181**

(22) Filed: **Mar. 25, 2004**

(51) **LOC (7) Cl.** ..... **26-02**

(52) **U.S. Cl.** ..... **D26/40**

(58) **Field of Search** ..... D26/37-50; 362/157,  
362/158, 171-174, 183-208

(56) **References Cited**

**U.S. PATENT DOCUMENTS**

3,941,554 A	*	3/1976	Curtis	.....	D26/40
D257,889 S	*	1/1981	Chan	.....	D26/40
D299,761 S	*	2/1989	Chan	.....	D26/40
D440,677 S	*	4/2001	Long et al.	.....	D26/40
D485,928 S	*	1/2004	Leung et al.	.....	D26/40

\* cited by examiner

*Primary Examiner*—Marcus A. Jackson

(74) *Attorney, Agent, or Firm*—Sheppard, Mullin, Richter  
& Hampton LLP

(57) **CLAIM**

We claim the ornamental design for a portable lantern, as  
shown and described.

**DESCRIPTION**

FIG. 1 is a perspective view of a portable lantern embodying  
our new design, the portable lantern being shown with a fuel  
tank and a reflector assembly in a closed position.

FIG. 2 is a front elevational view of the portable lantern of  
FIG. 1.

FIG. 3 is a right side elevational view of the portable lantern  
of FIG. 1.

FIG. 4 is a left side elevational view of the portable lantern  
of FIG. 1.

FIG. 5 is a rear elevational view of the portable lantern of  
FIG. 1.

FIG. 6 is a top plan view of the portable lantern of FIG. 1.  
FIG. 7 is a bottom plan view of the portable lantern of FIG.  
1.

FIG. 8 is a perspective view of the portable lantern of FIG.  
1, without the fuel tank.

FIG. 9 is a front elevational view of the portable lantern of  
FIG. 8.

FIG. 10 is a right side elevational view of the portable  
lantern of FIG. 8.

FIG. 11 is a left side elevational view of the portable lantern  
of FIG. 8.

FIG. 12 is a rear elevational view of the portable lantern of  
FIG. 8.

FIG. 13 is a top plan view of the portable lantern of FIG. 8.

FIG. 14 is a bottom plan view of the portable lantern of FIG.  
8.

FIG. 15 is a perspective view of a portable lantern of FIG.  
1, with the reflector assembly in an open position.

FIG. 16 is a front elevational view of the portable lantern of  
FIG. 15.

FIG. 17 is a right side elevational view of the portable  
lantern of FIG. 15.

FIG. 18 is a left side elevational view of the portable lantern  
of FIG. 15.

FIG. 19 is a rear elevational view of the portable lantern of  
FIG. 15.

FIG. 20 is a top plan view of the portable lantern of FIG. 15.

FIG. 21 is a bottom plan view of the portable lantern of FIG.  
15.

FIG. 22 is a perspective view of the portable lantern of FIG.  
15, without the fuel tank.

FIG. 23 is a front elevational view of the portable lantern of  
FIG. 22.

FIG. 24 is a right side elevational view of the portable  
lantern of FIG. 22.

FIG. 25 is a left side elevational view of the portable lantern  
of FIG. 22.

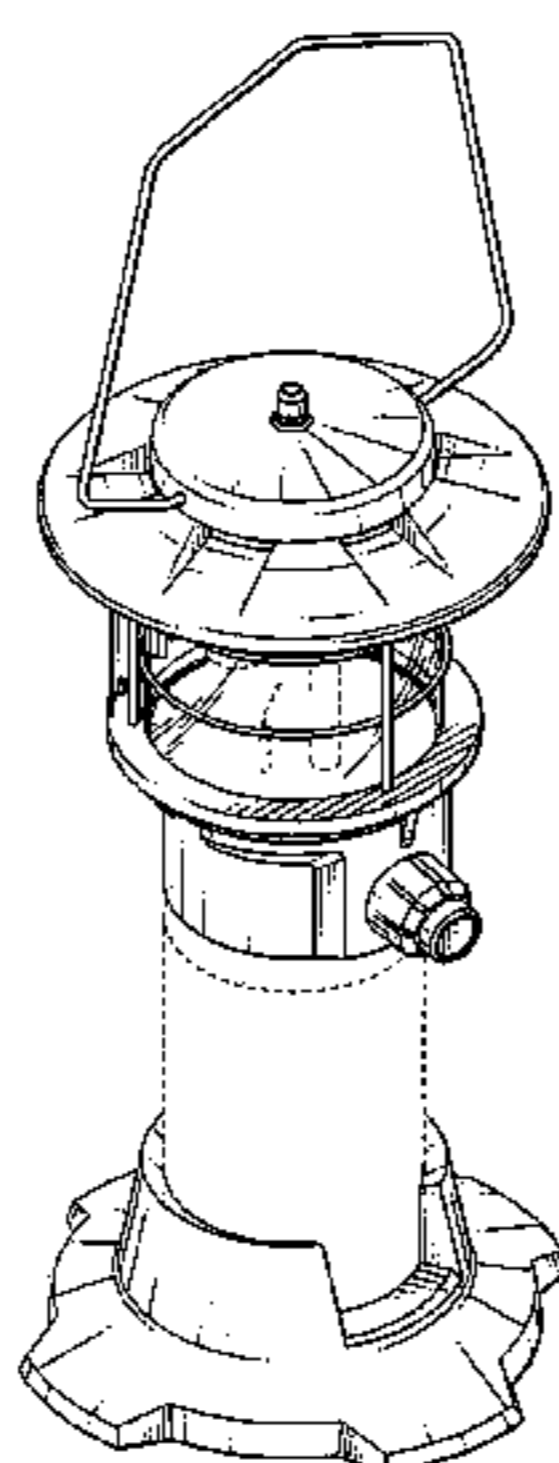
FIG. 26 is a rear elevational view of the portable lantern of  
FIG. 22.

FIG. 27 is a top plan view of the portable lantern of FIG. 22;  
and,

FIG. 28 is a bottom plan view of the portable lantern of FIG.  
22.

The dotted lines are for illustrative purposes only and form  
no part of the claimed design.

**1 Claim, 24 Drawing Sheets**



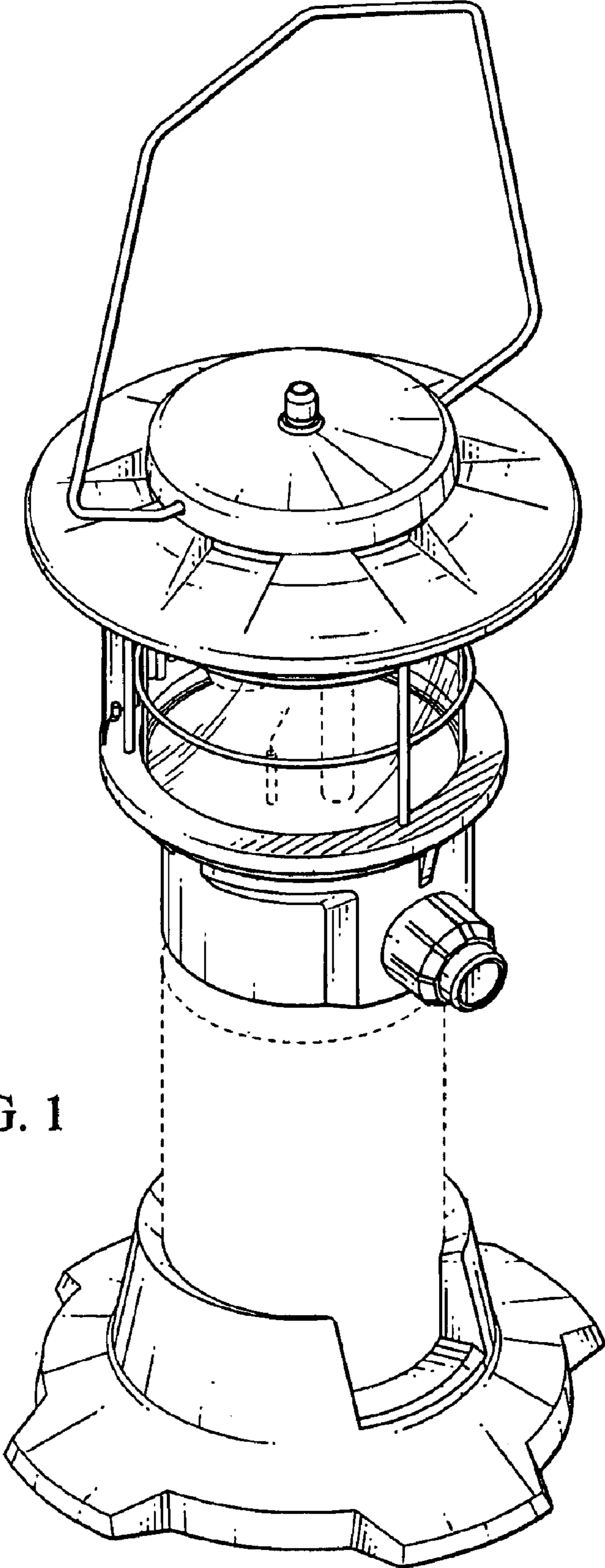


FIG. 1

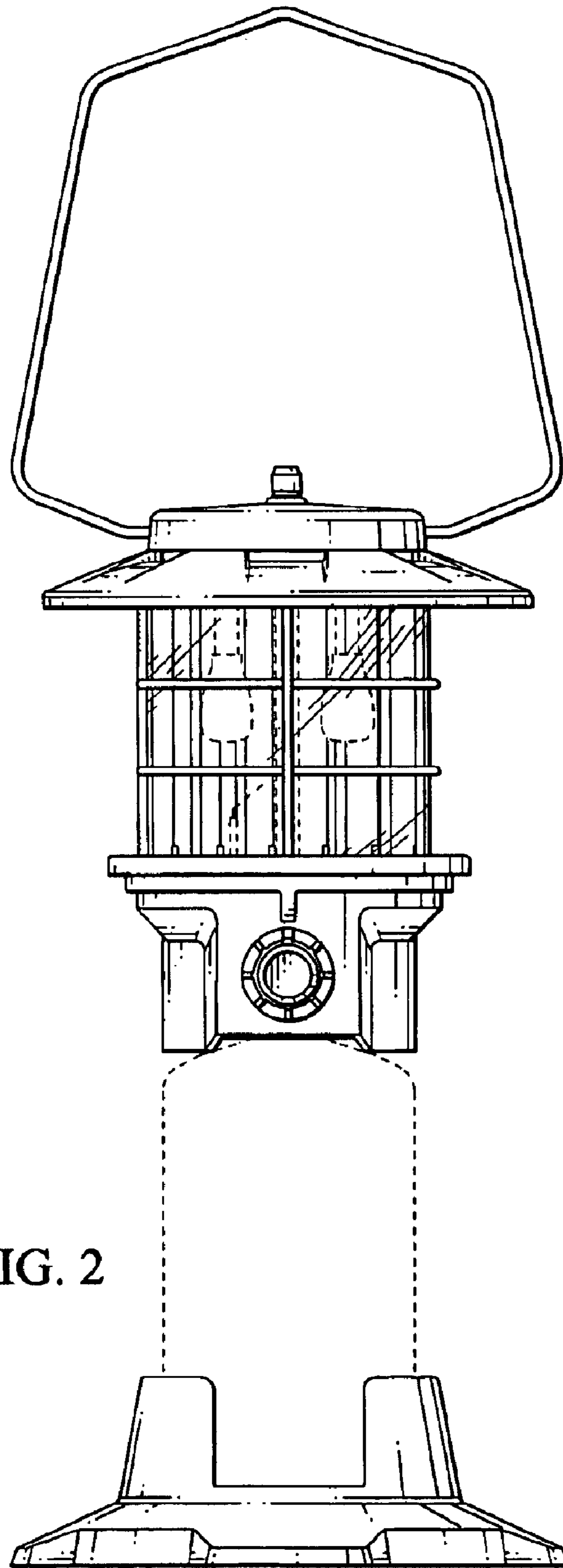


FIG. 2

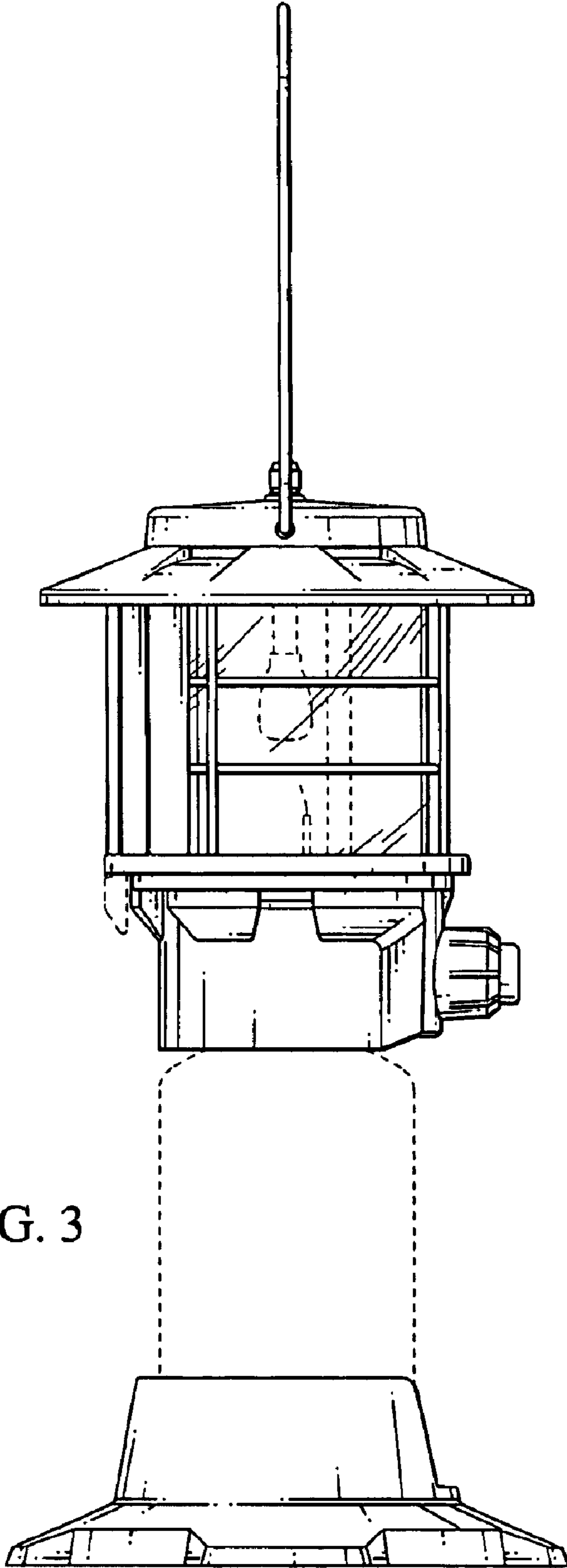


FIG. 3

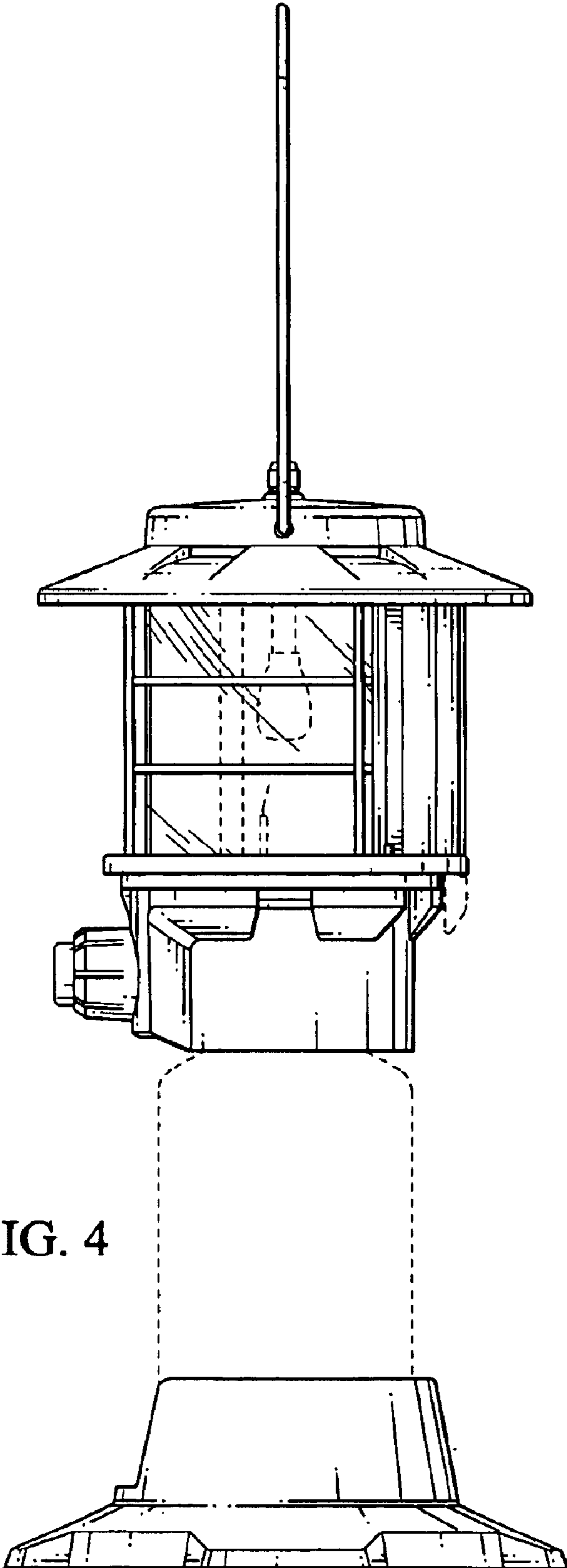


FIG. 4

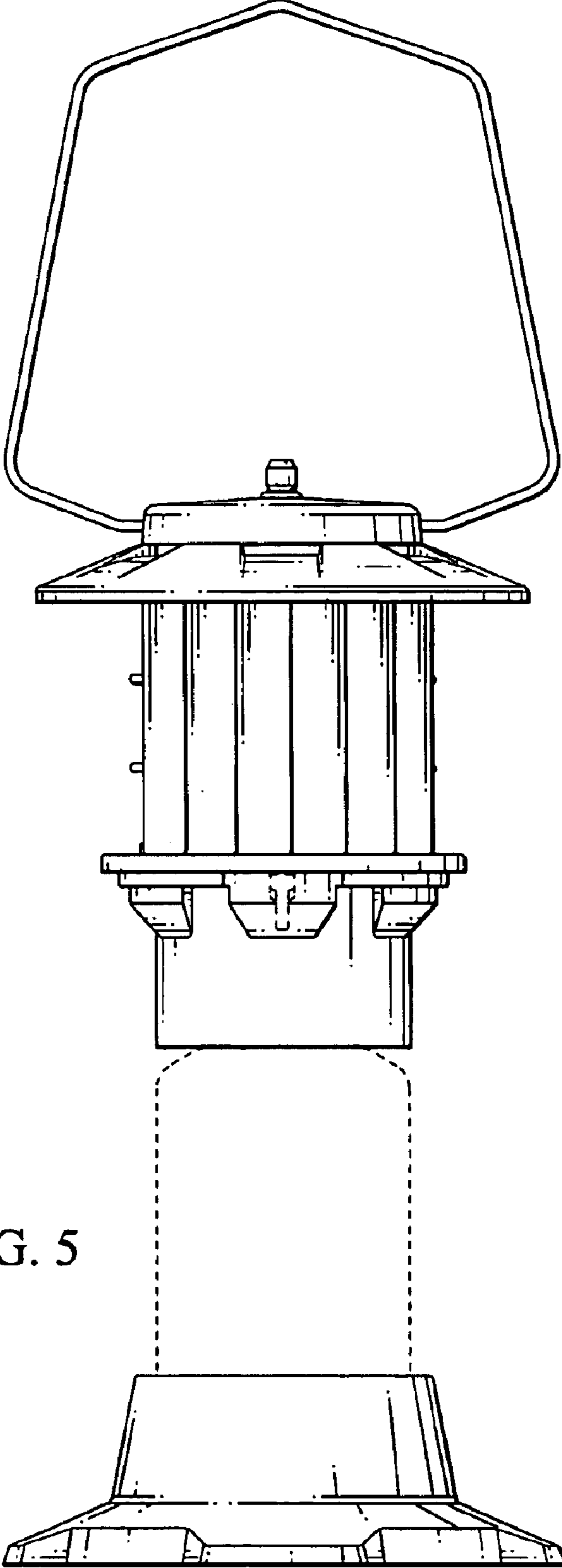


FIG. 5



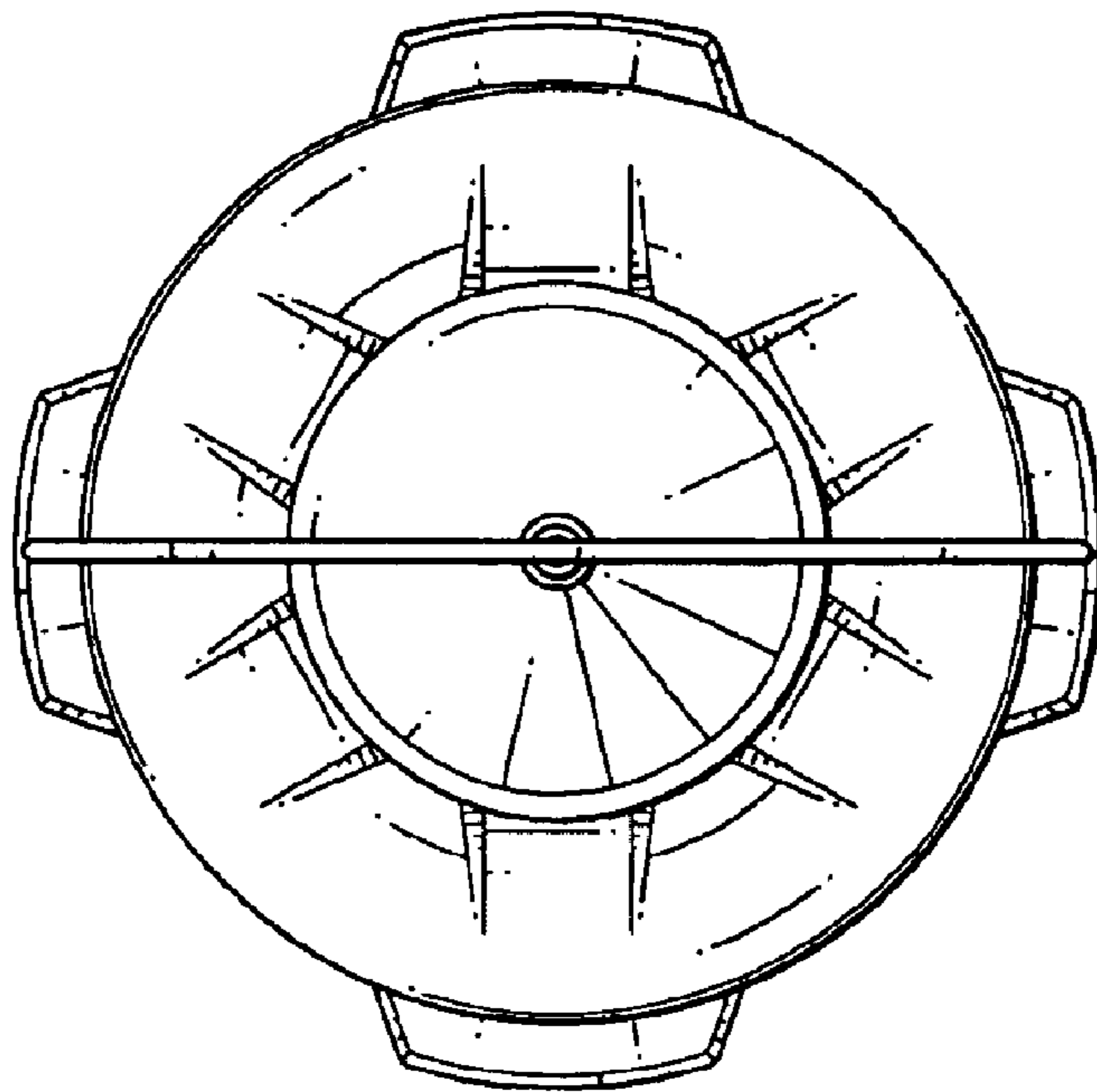


FIG. 6

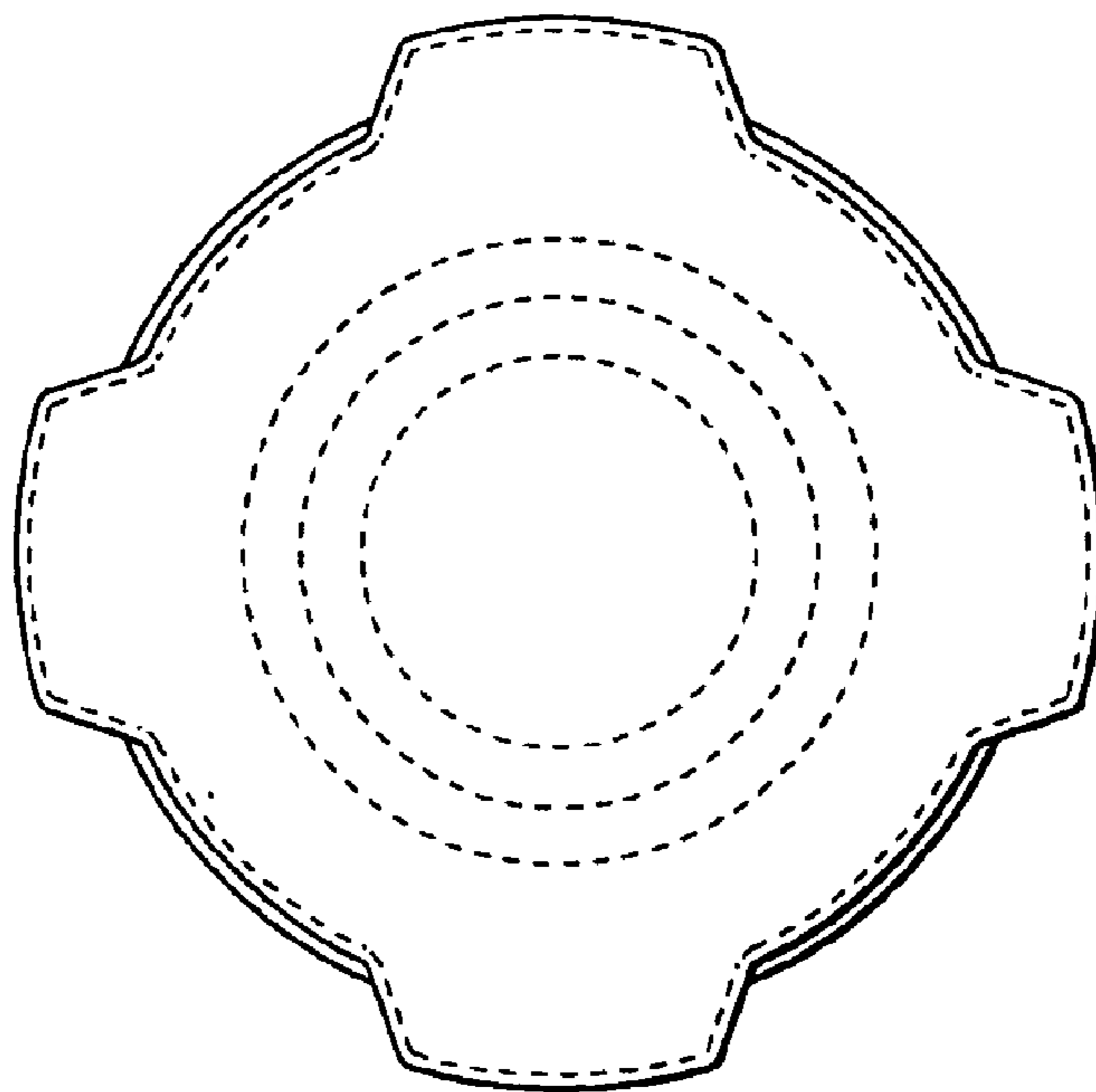


FIG. 7

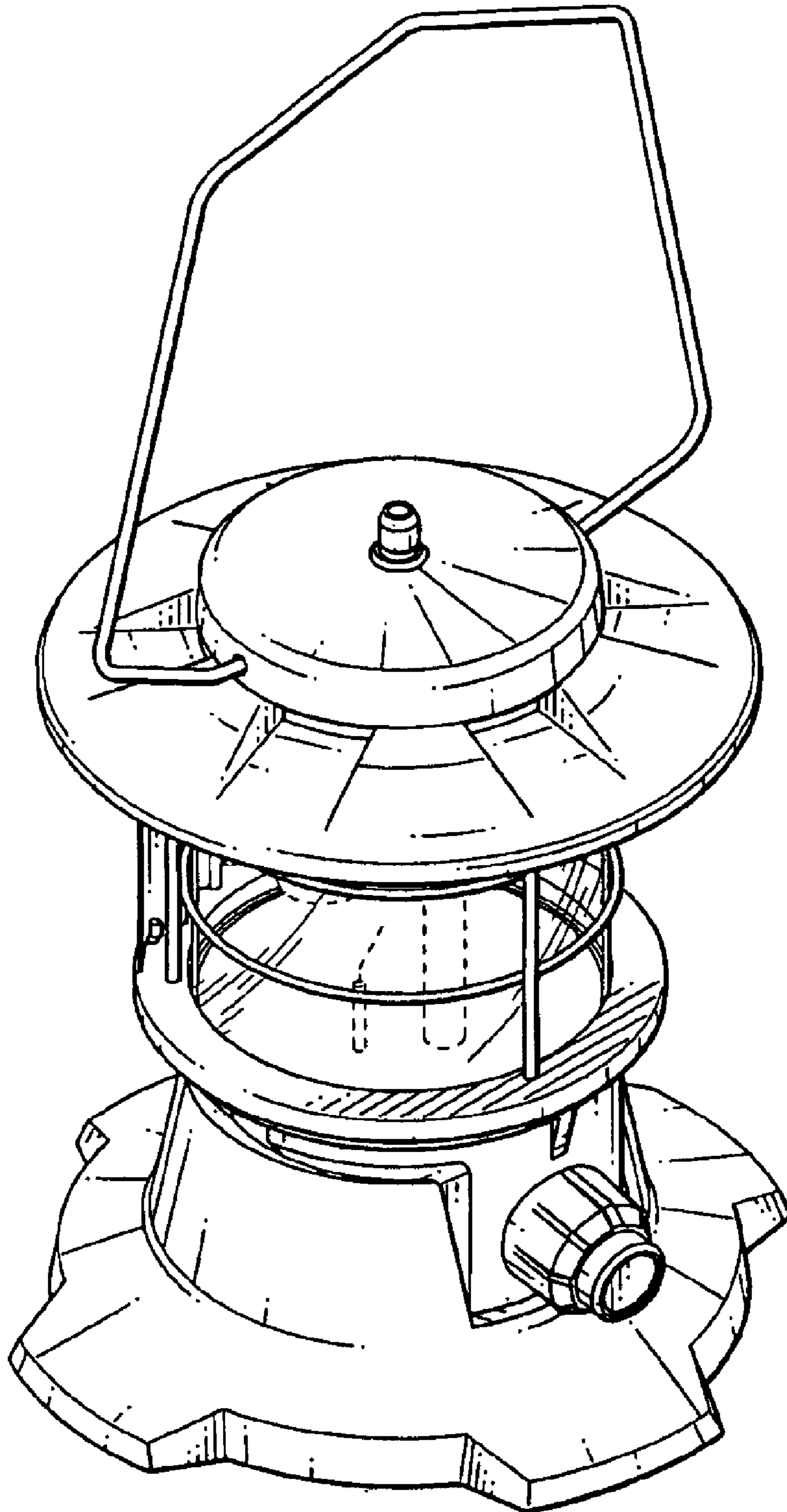


FIG. 8



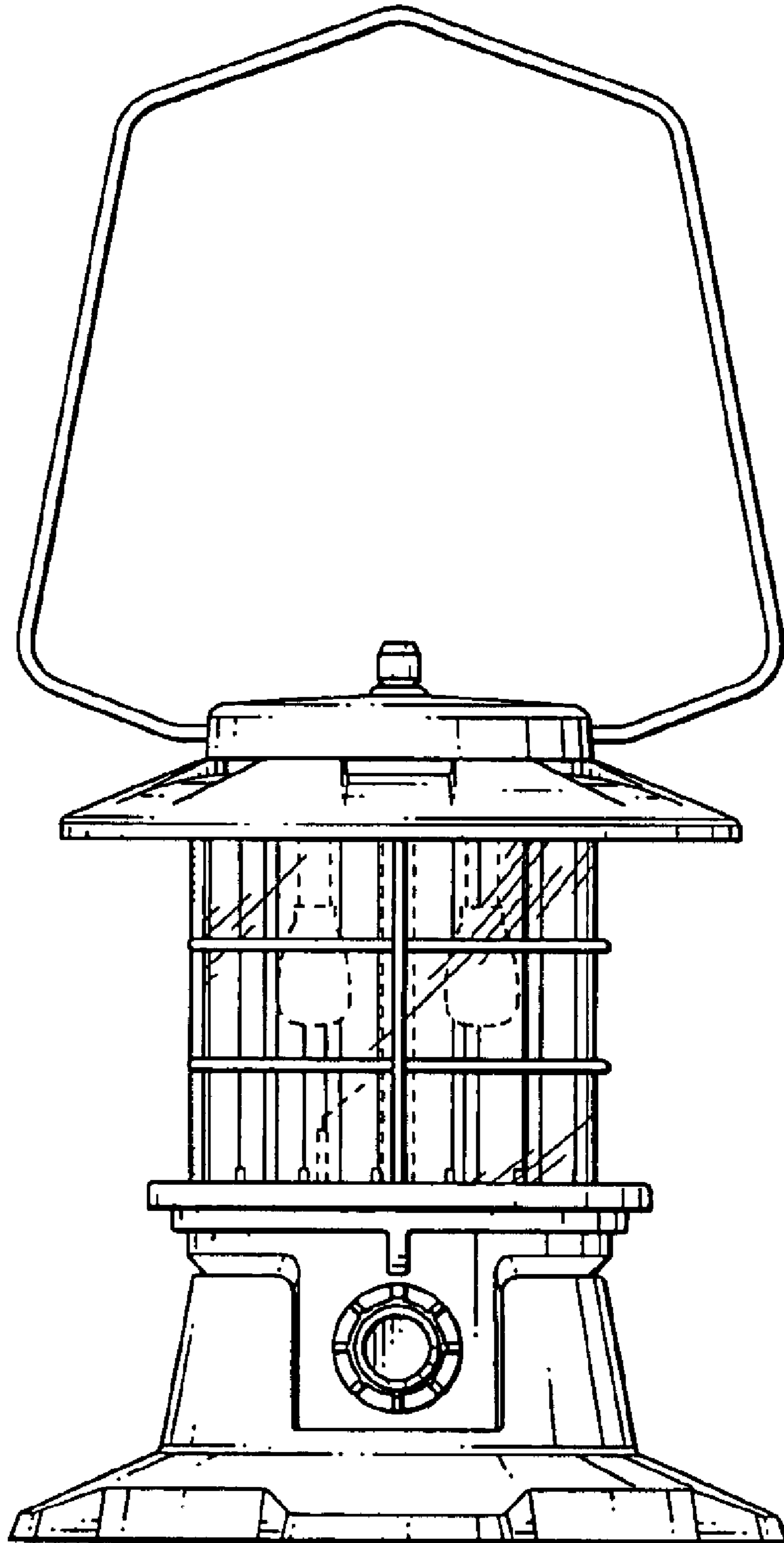


FIG. 9

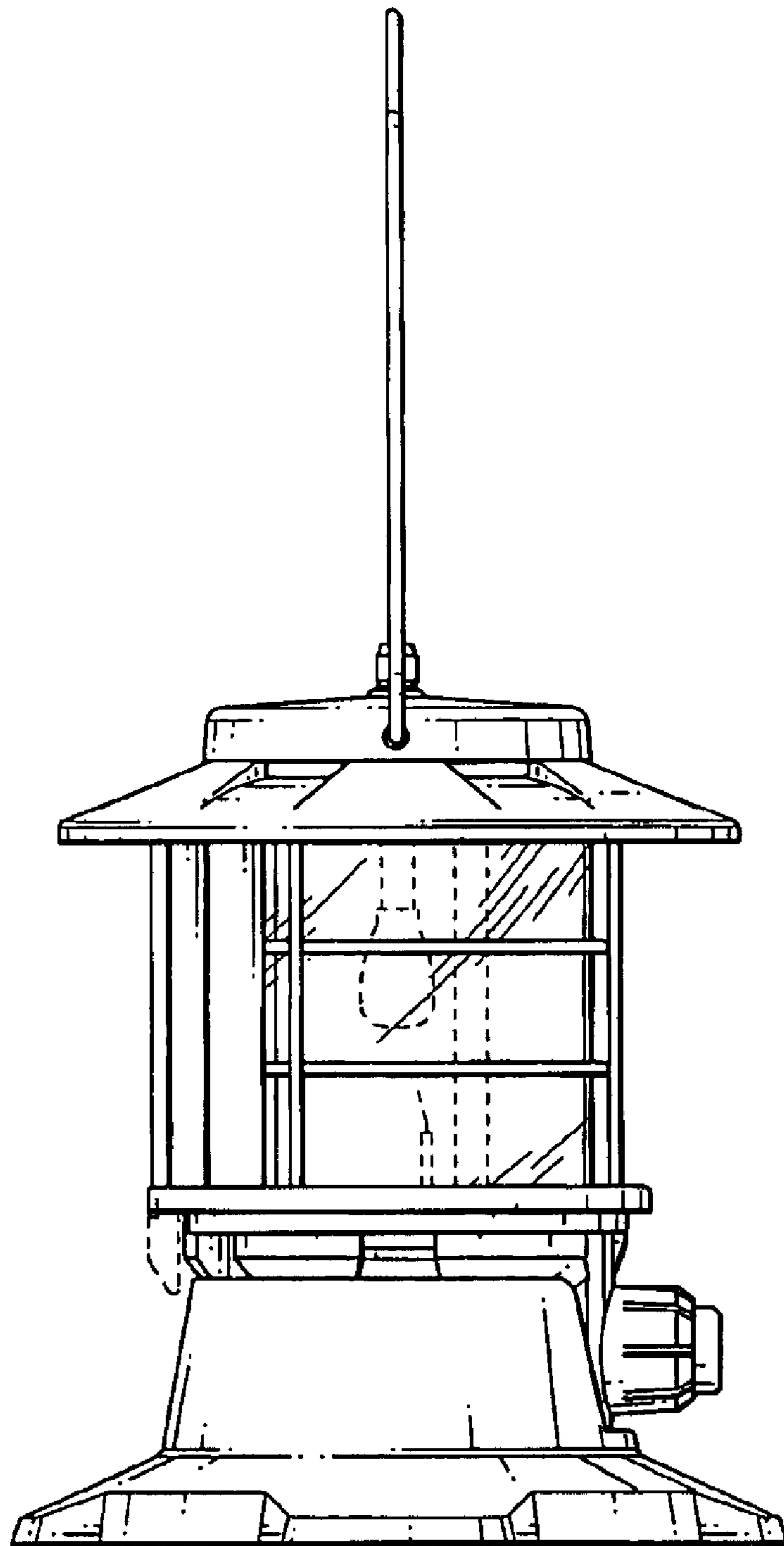


FIG. 10

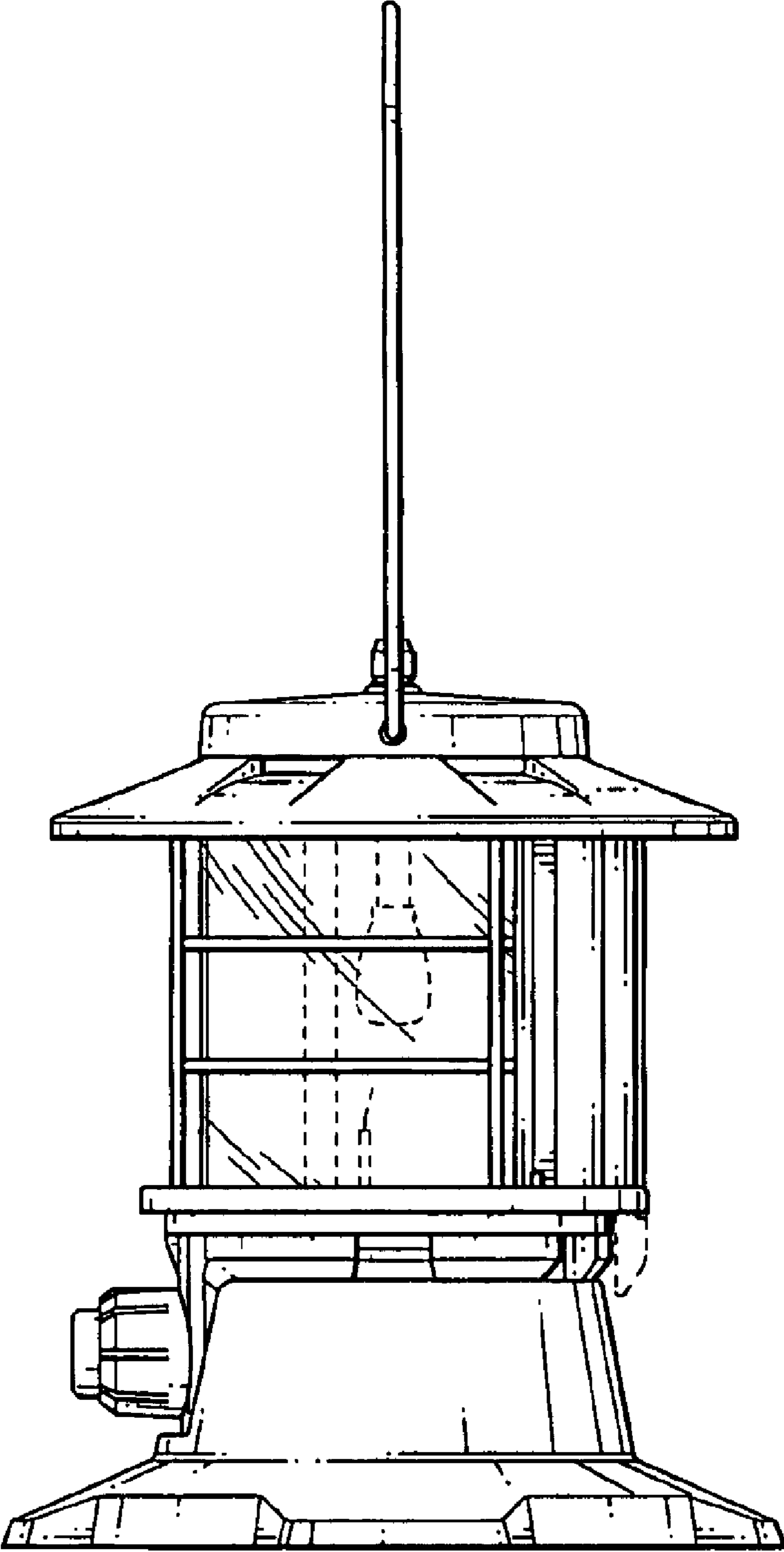


FIG. 11

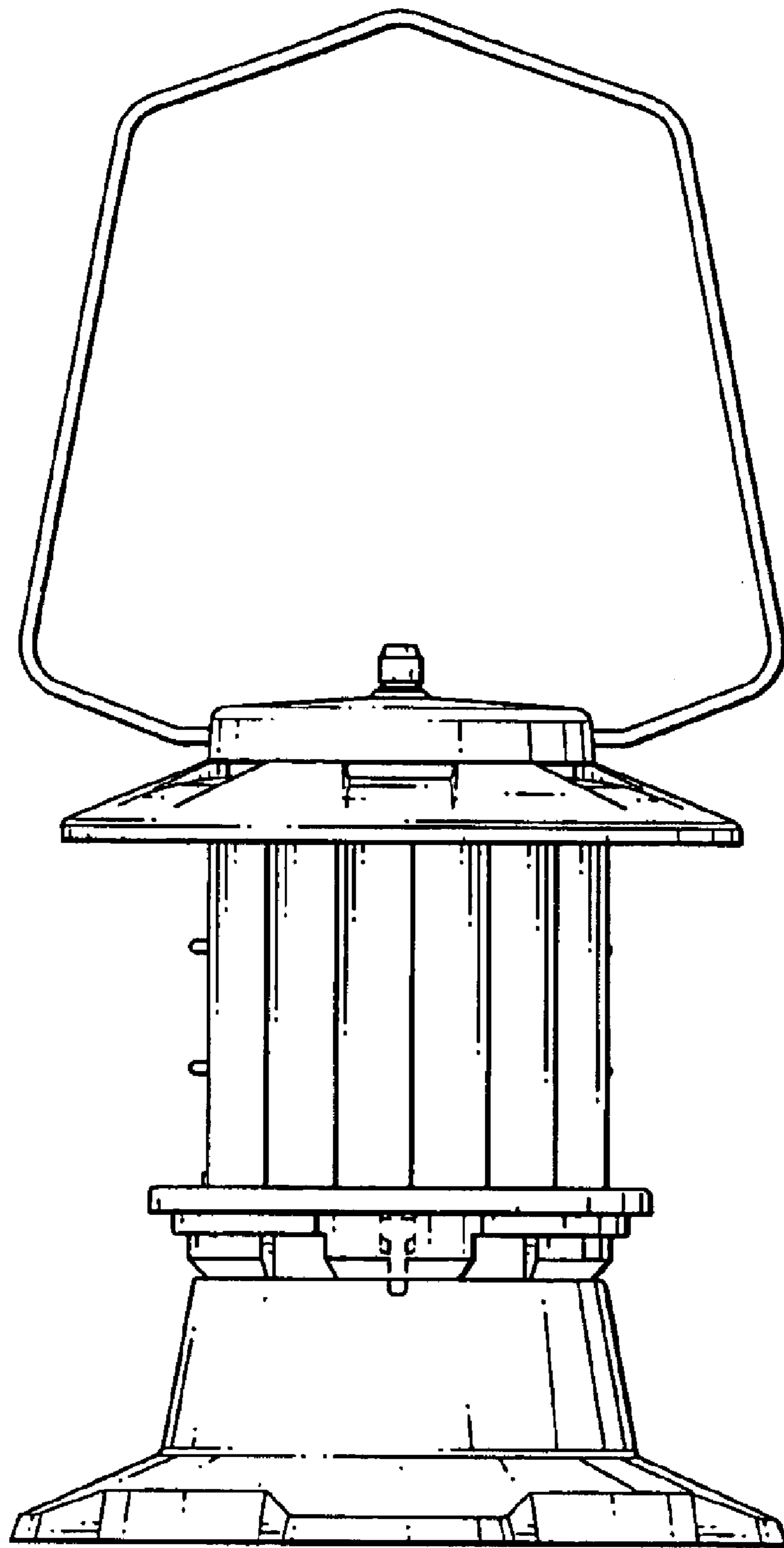


FIG. 12

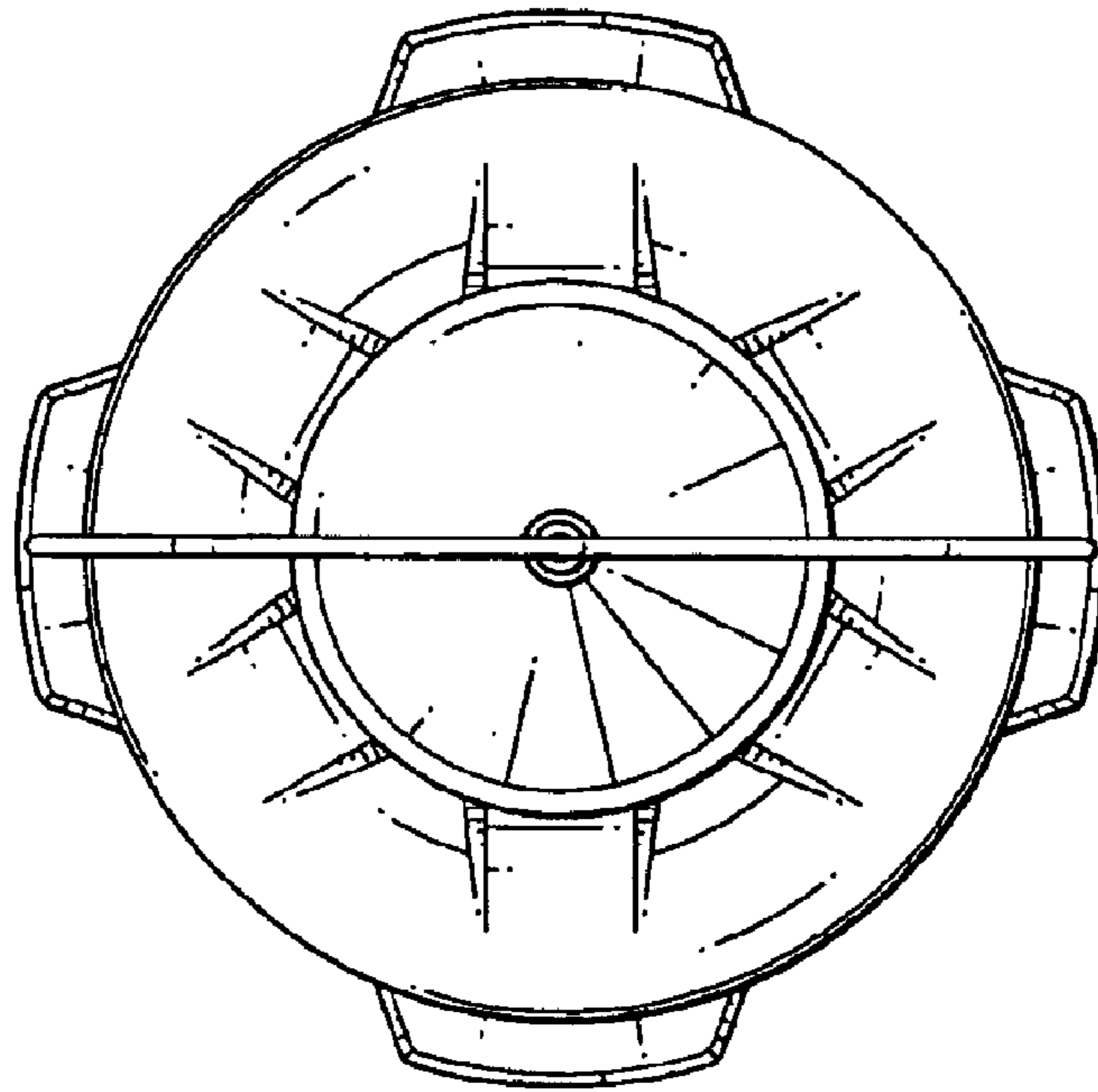


FIG. 13

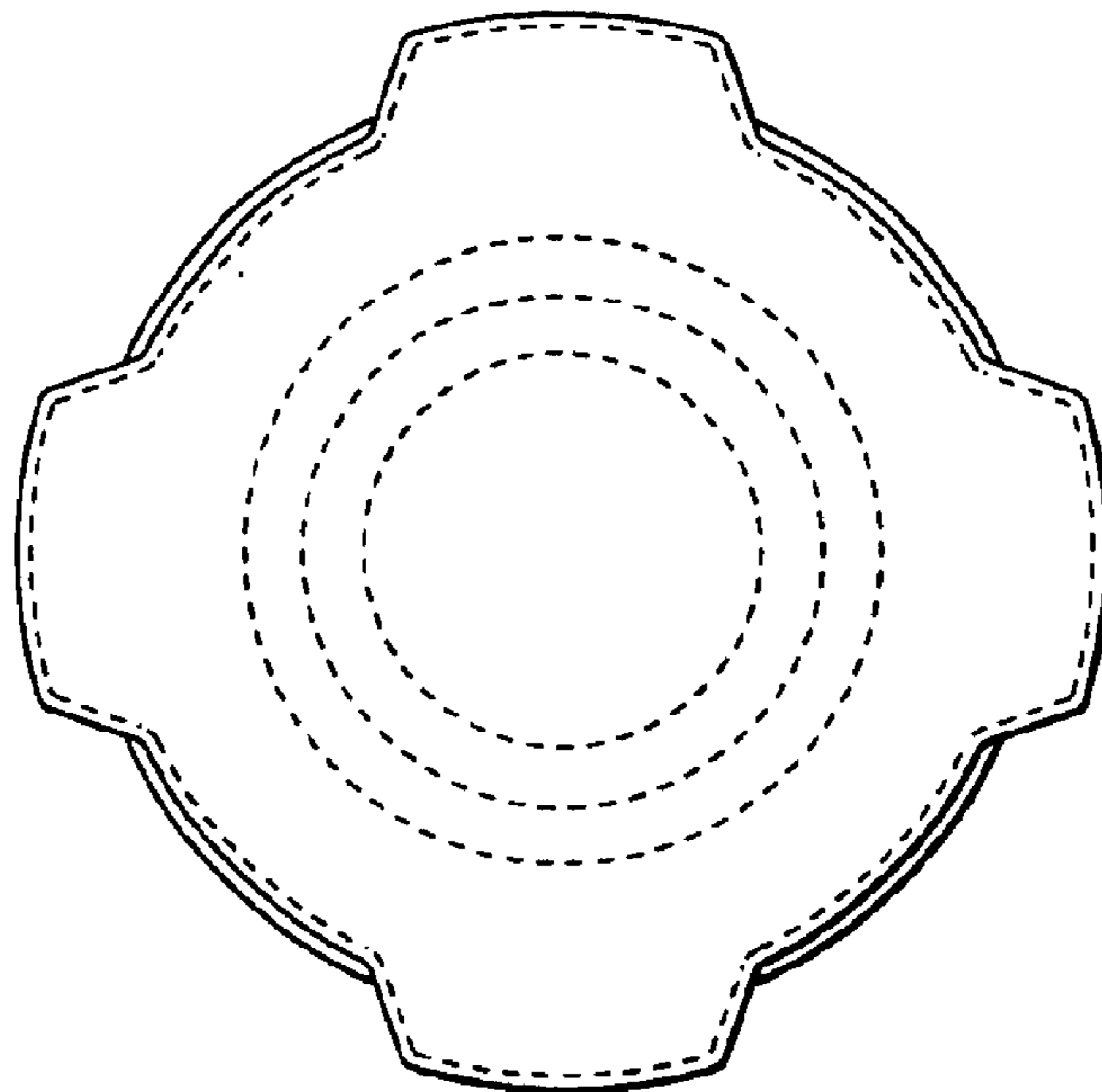


FIG. 14

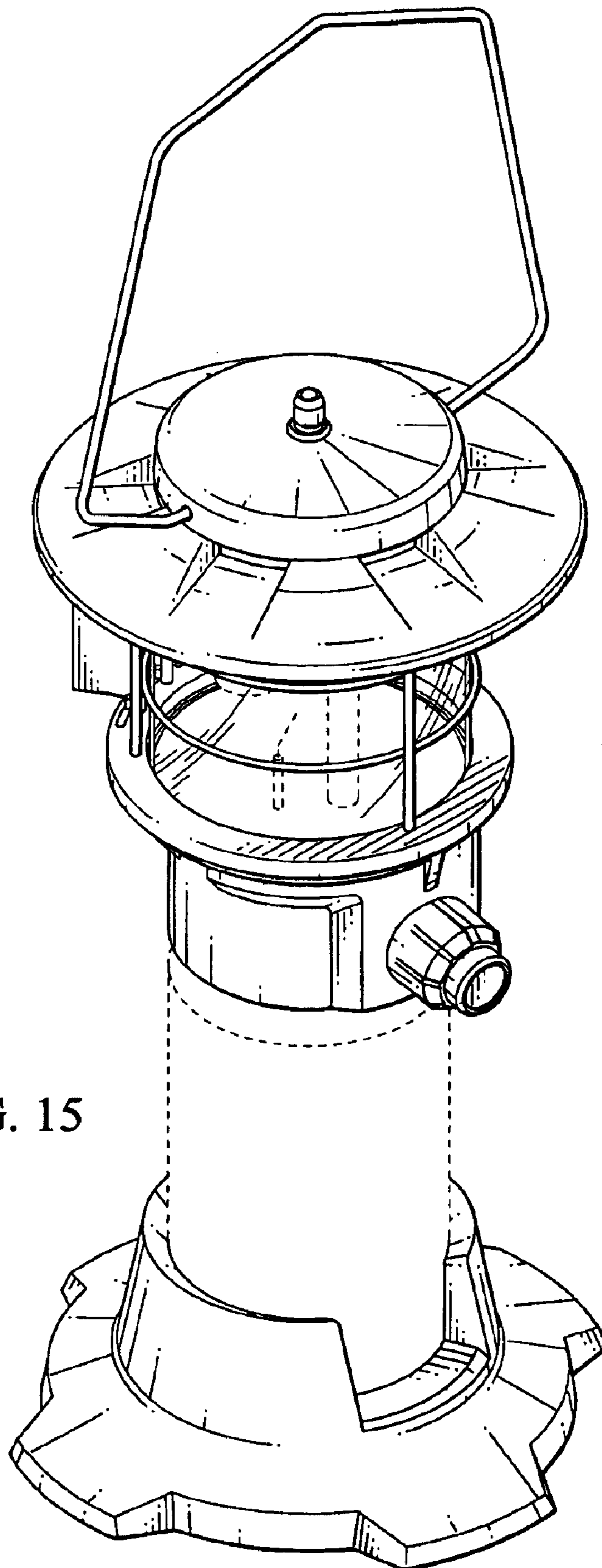


FIG. 15



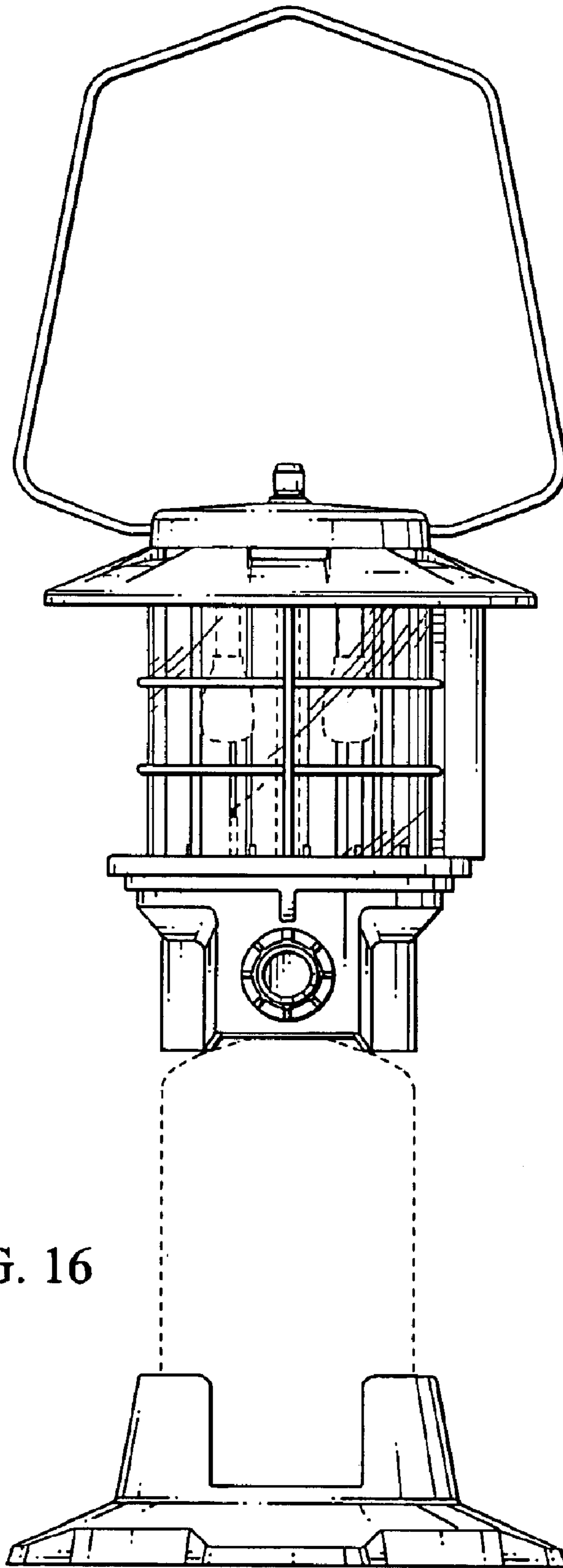


FIG. 16

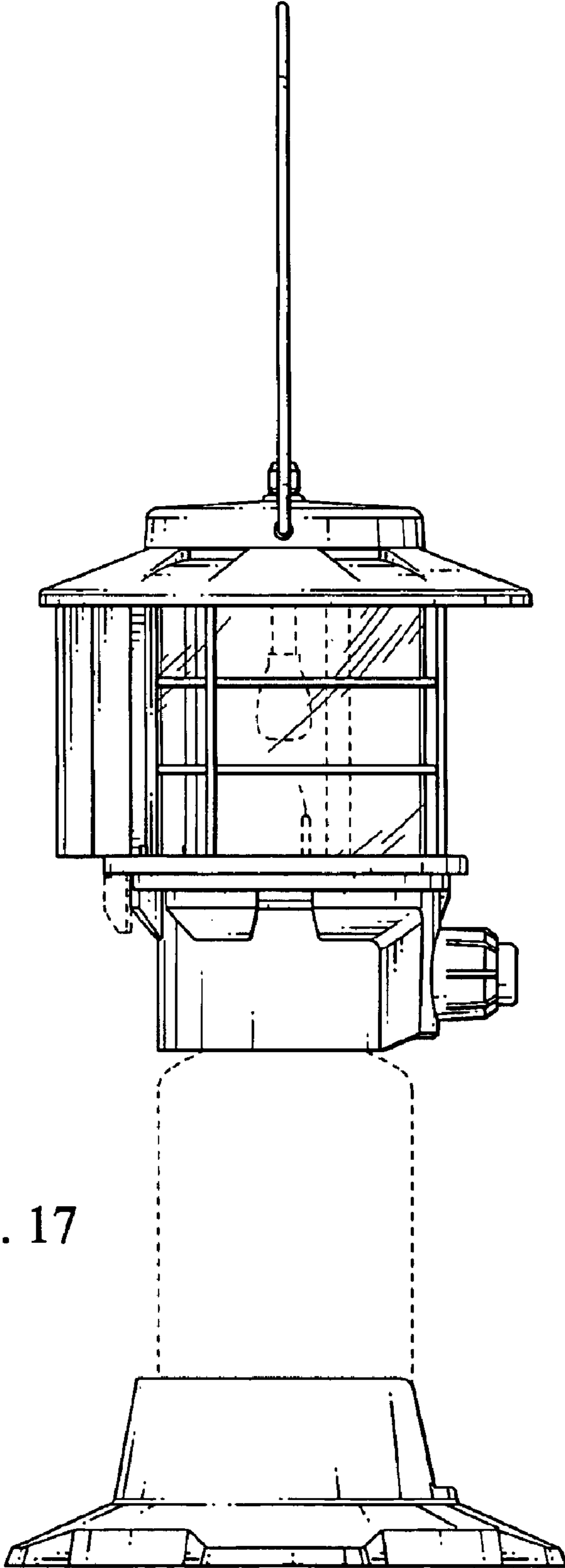


FIG. 17

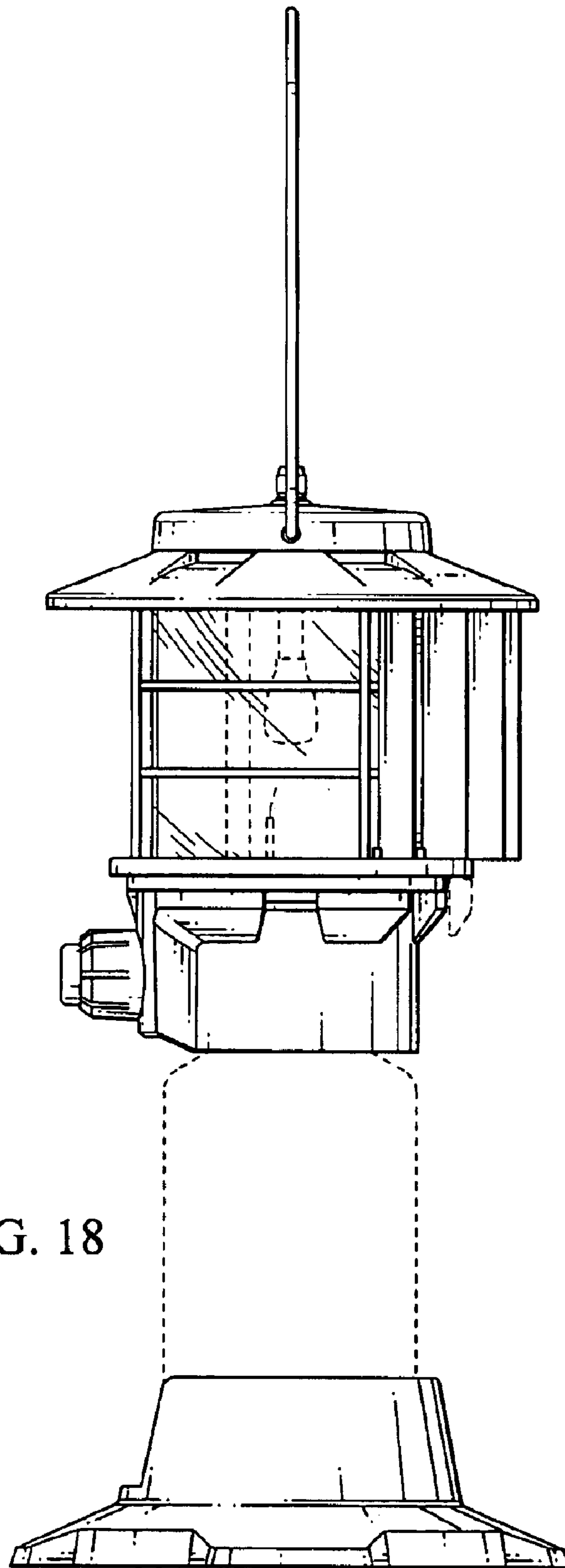


FIG. 18

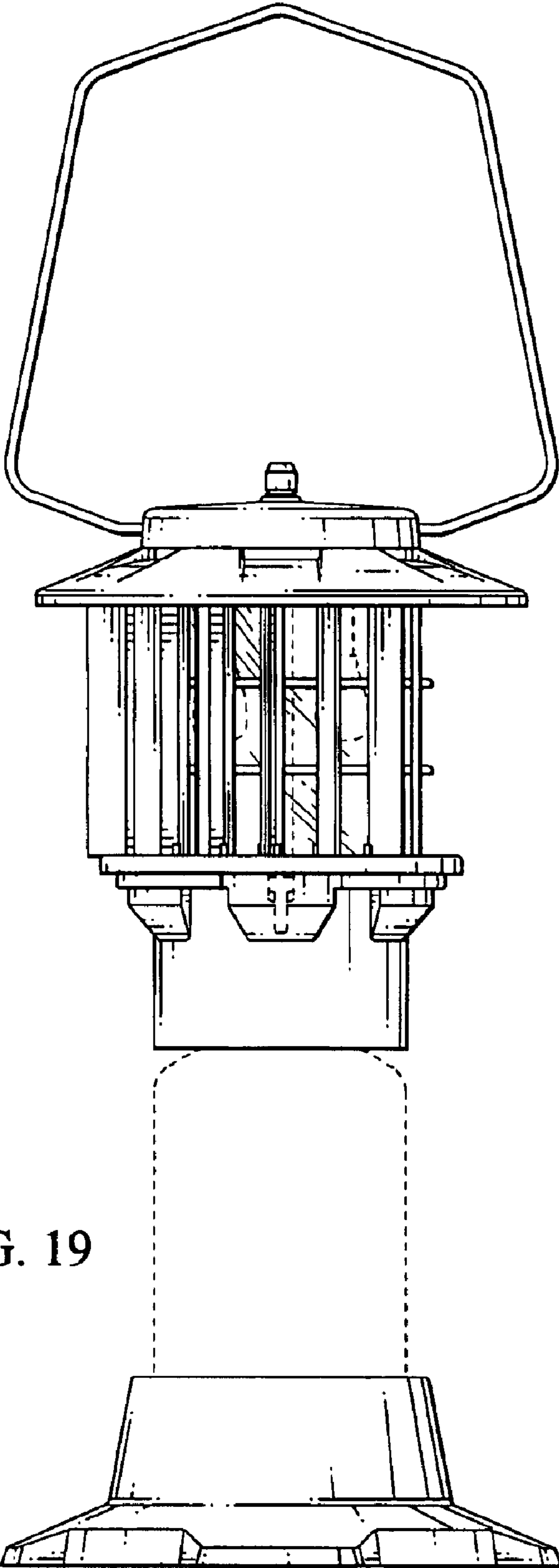


FIG. 19

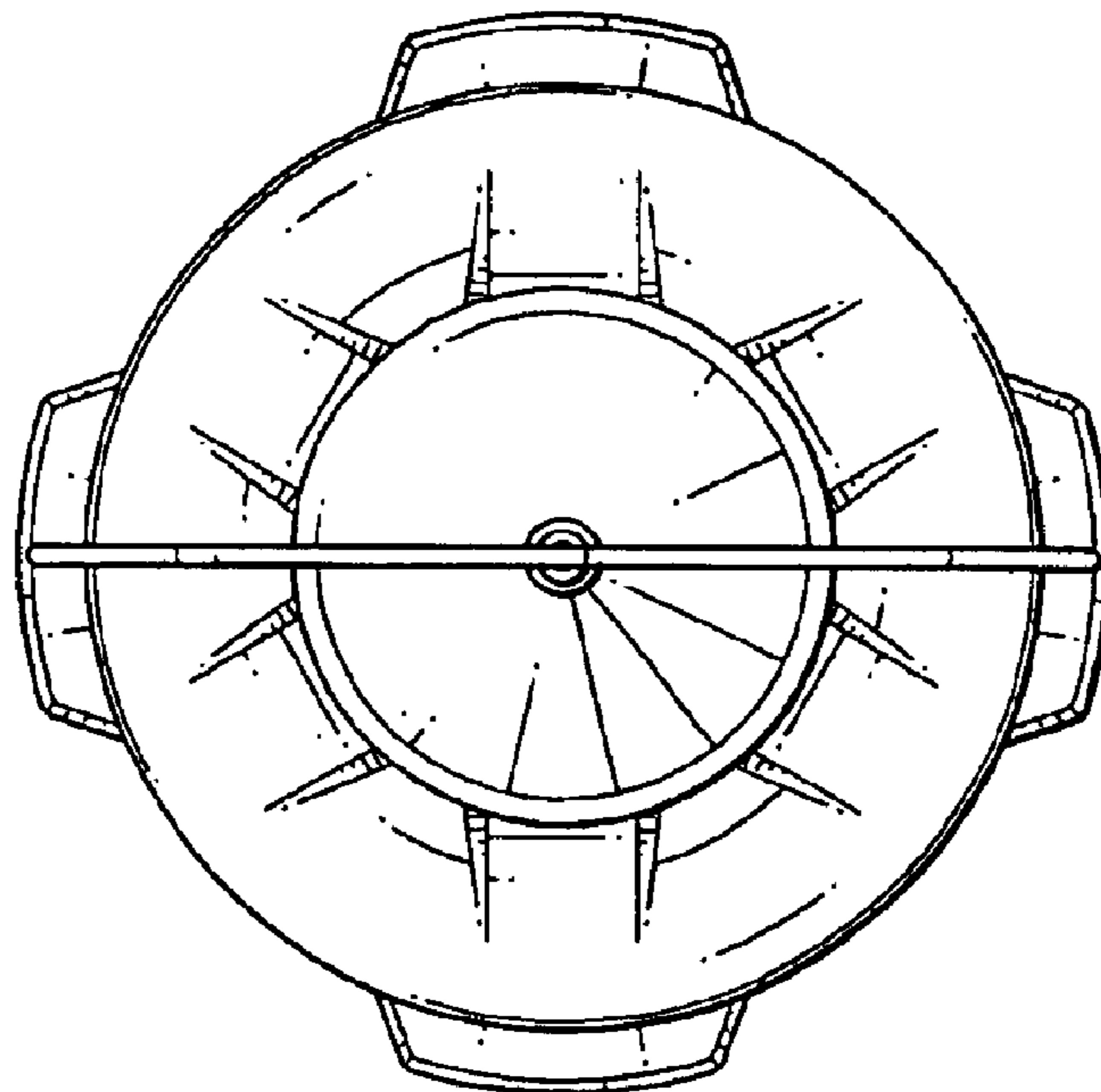


FIG. 20

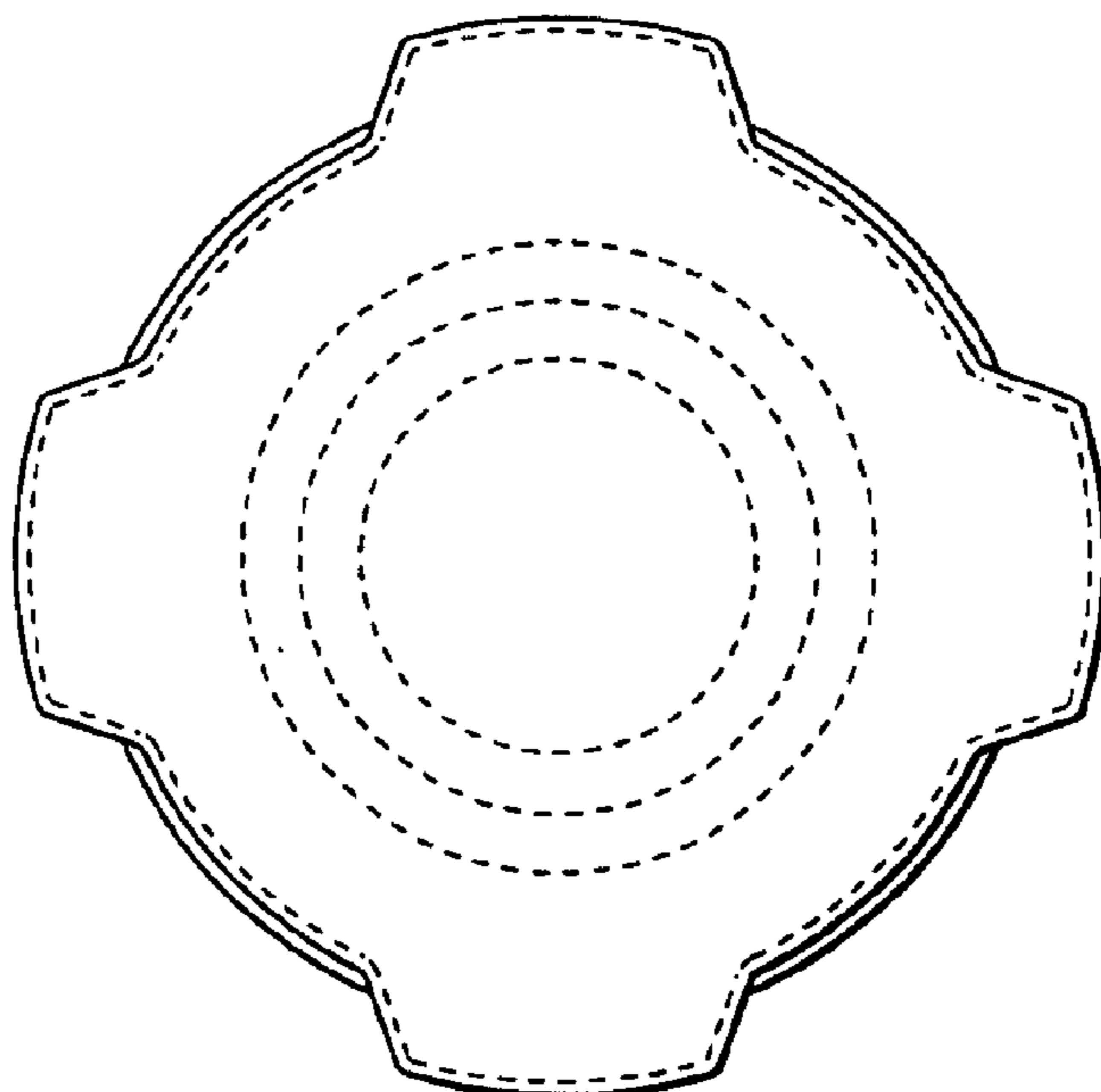


FIG. 21

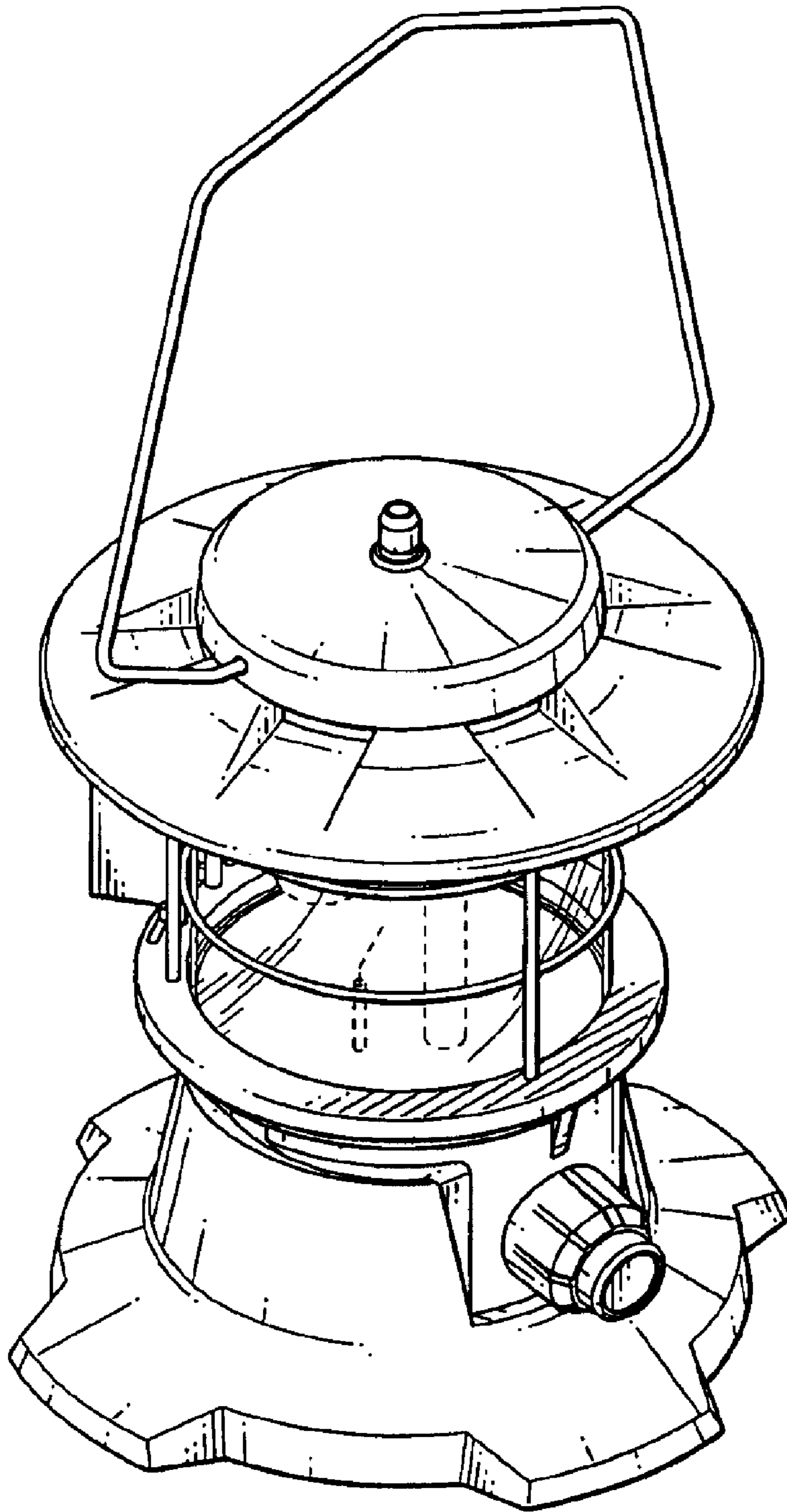


FIG. 22



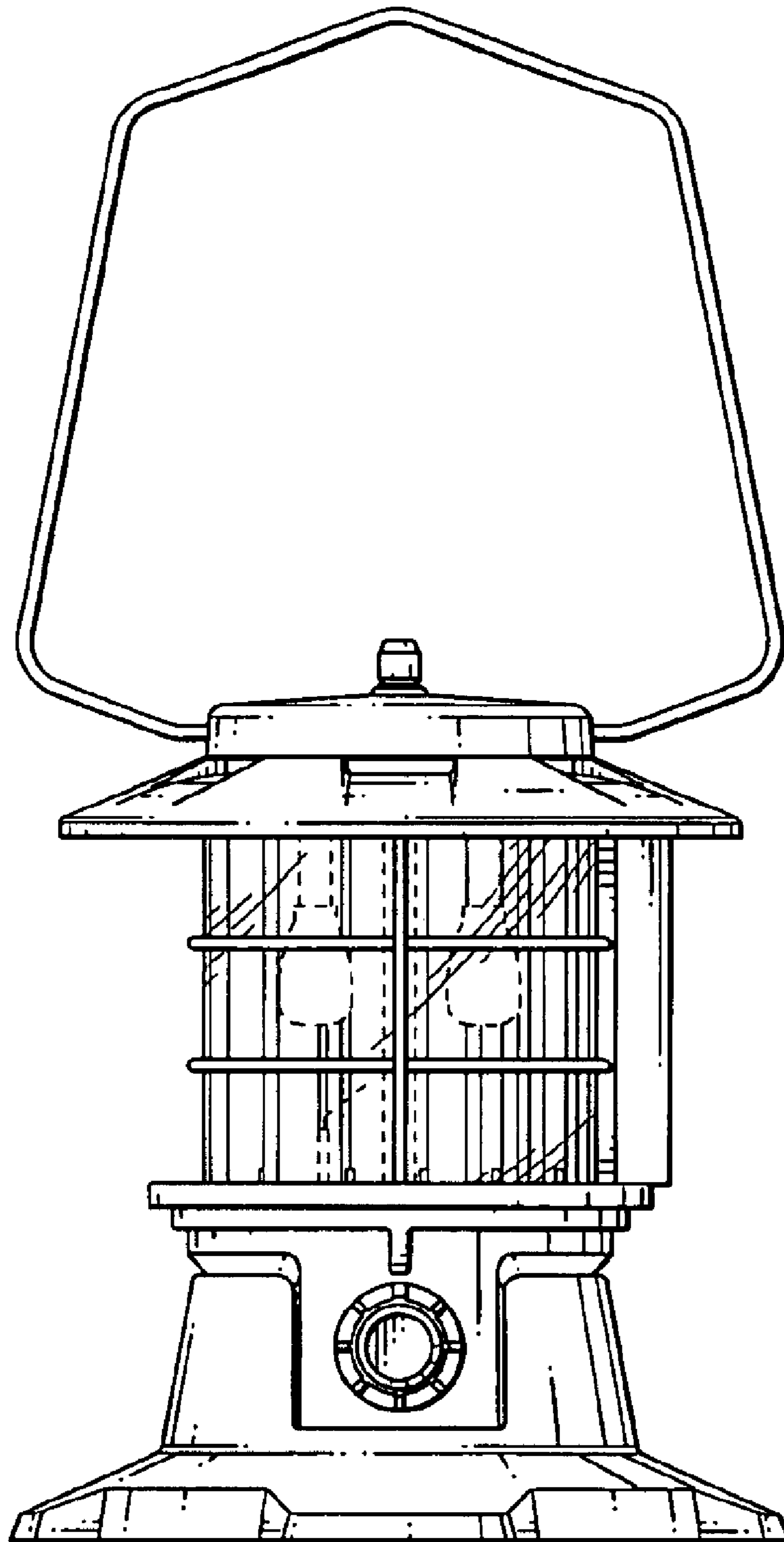


FIG. 23

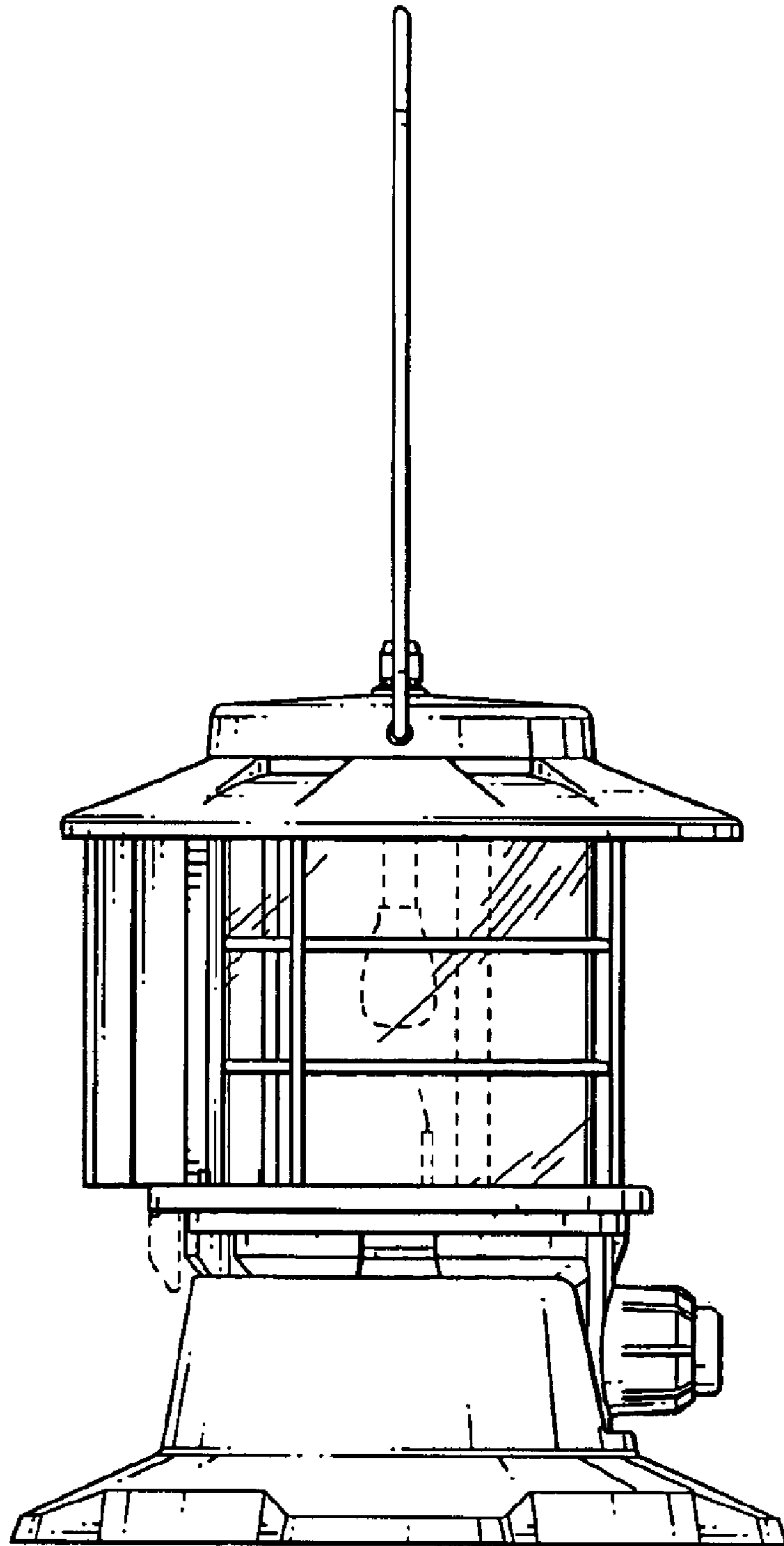


FIG. 24

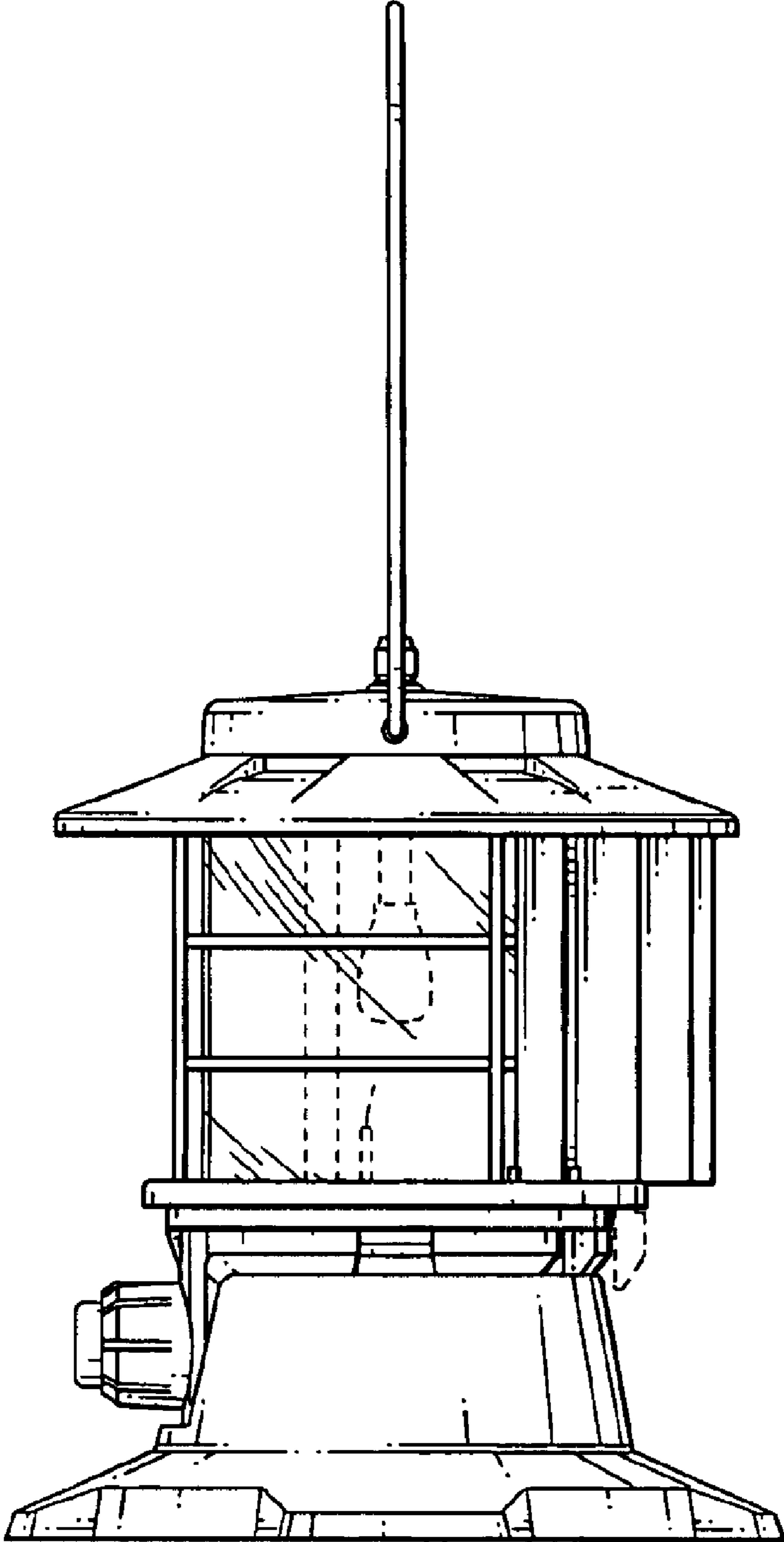


FIG. 25

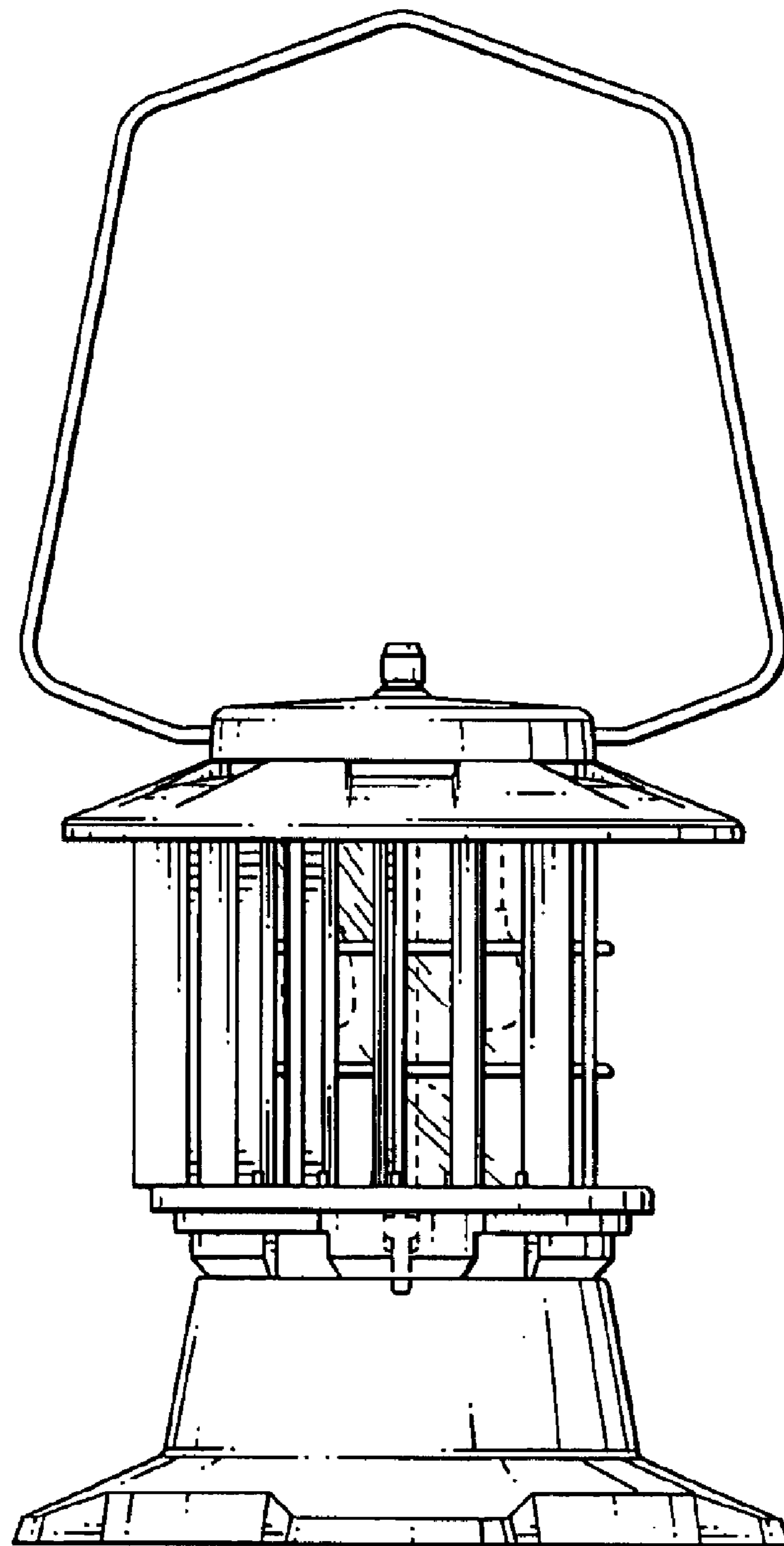


FIG. 26

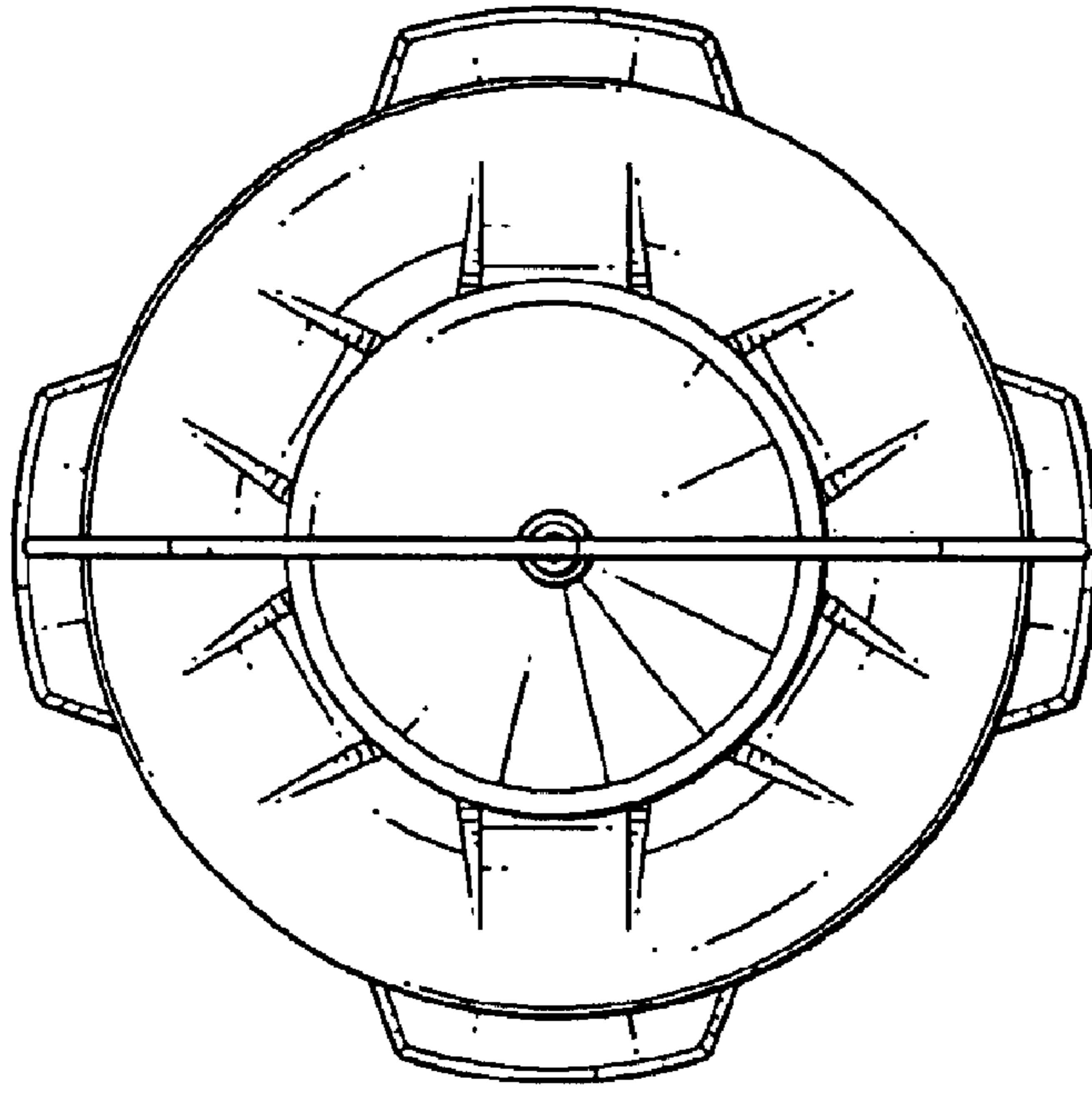


FIG. 27

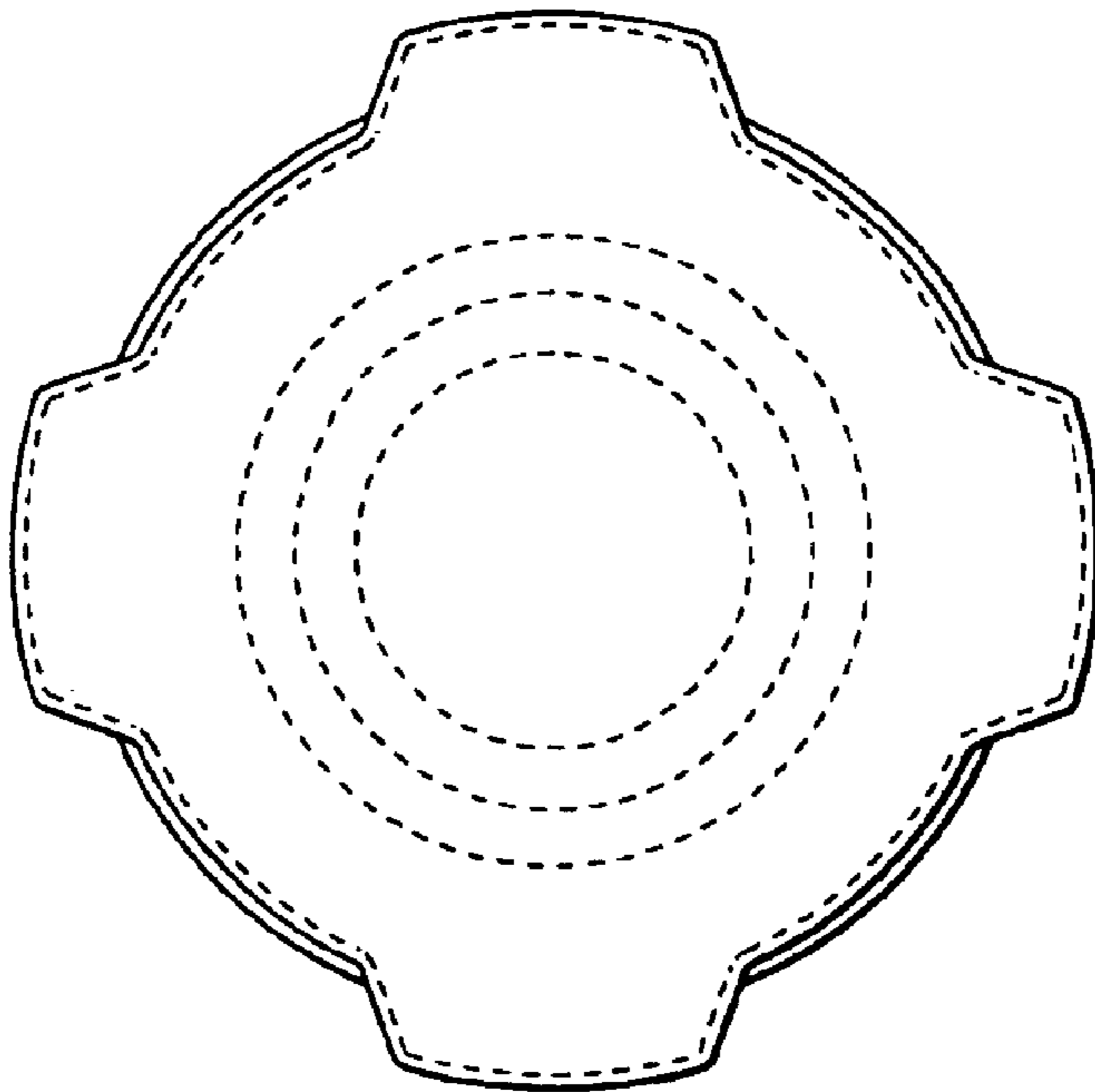


FIG. 28