



US00D503004S

(12) **United States Design Patent** (10) **Patent No.:** **US D503,004 S**  
**Jiao et al.** (45) **Date of Patent:** **\*\* Mar. 15, 2005**

(54) **VEHICLE FOG LAMP**

2003/0063477 A1 4/2003 Stepanenko et al.

(75) Inventors: **Jianzhong Jiao**, Novi, MI (US); **Toshio Tanaka**, Novi, MI (US); **Mark Wayne Ehrhardt**, Howell, MI (US); **Takayuki Iwaki**, Novi, MI (US)

\* cited by examiner

*Primary Examiner*—Marcus A. Jackson  
(74) *Attorney, Agent, or Firm*—McDonnell Boehnen Hulbert & Berghoff LLP

(73) Assignee: **North American Lighting, Inc.**, Farmington Hills, MI (US)

(57) **CLAIM**

The ornamental design for a vehicle fog lamp, as shown and described.

(\*\*) Term: **14 Years**

(21) Appl. No.: **29/189,368**

(22) Filed: **Sep. 3, 2003**

(51) **LOC (7) Cl.** ..... **26-06**

(52) **U.S. Cl.** ..... **D26/28**

(58) **Field of Search** ..... D26/28–36; 362/457–468, 362/475–478, 485–487

**DESCRIPTION**

© North American Lighting, Inc. 2003. A portion of the disclosure of this patent document contains material that may be subject to copyright protection. The copyright owner has no objection to the facsimile reproduction by anyone of the patent document or patent disclosure, as it appears in the Patent and Trademark Office patent file or records, but otherwise reserves all copyright rights whatsoever.

FIG. 1 is a front perspective view of one embodiment of a vehicle fog lamp;

FIG. 2 is a front view of one embodiment of the vehicle fog lamp device;

FIG. 3 is a sectional view taken along line 3—3 of FIG. 2;

FIG. 4 is a sectional view taken along line 4—4 of FIG. 2; and,

FIG. 5 is a sectional view taken along line 5—5 of FIG. 2. Portions of a light source socket and a lamp device mounting feature are shown in broken lines for illustrative purposes only.

(56) **References Cited**

**U.S. PATENT DOCUMENTS**

1,460,834	A	*	7/1923	Arbuckle	.....	D26/28
2,147,914	A	*	2/1939	Morehead	.....	D26/28
D282,010	S	*	12/1985	Ferenc	.....	D26/28
4,586,116	A	*	4/1986	Kasboske	.....	D26/28
5,083,243	A		1/1992	Paulat et al.		
6,244,732	B1		6/2001	Futami et al.		
6,343,872	B1		2/2002	Cerone et al.		
6,508,577	B2		1/2003	Werner et al.		
2001/0055211	A1		12/2001	Werner et al.		
2003/0012034	A1		1/2003	Misawa et al.		

**1 Claim, 3 Drawing Sheets**

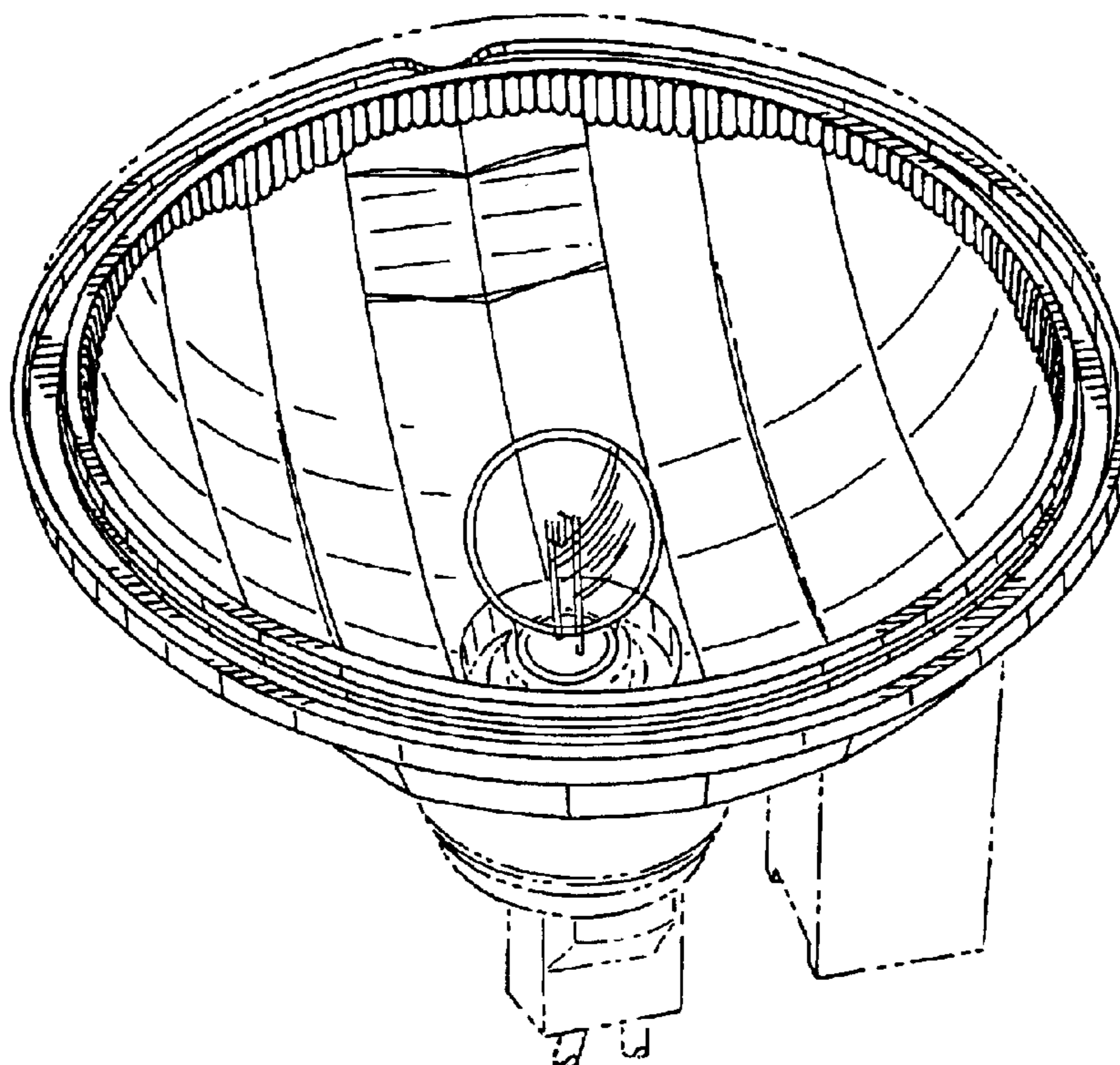


FIG. 1

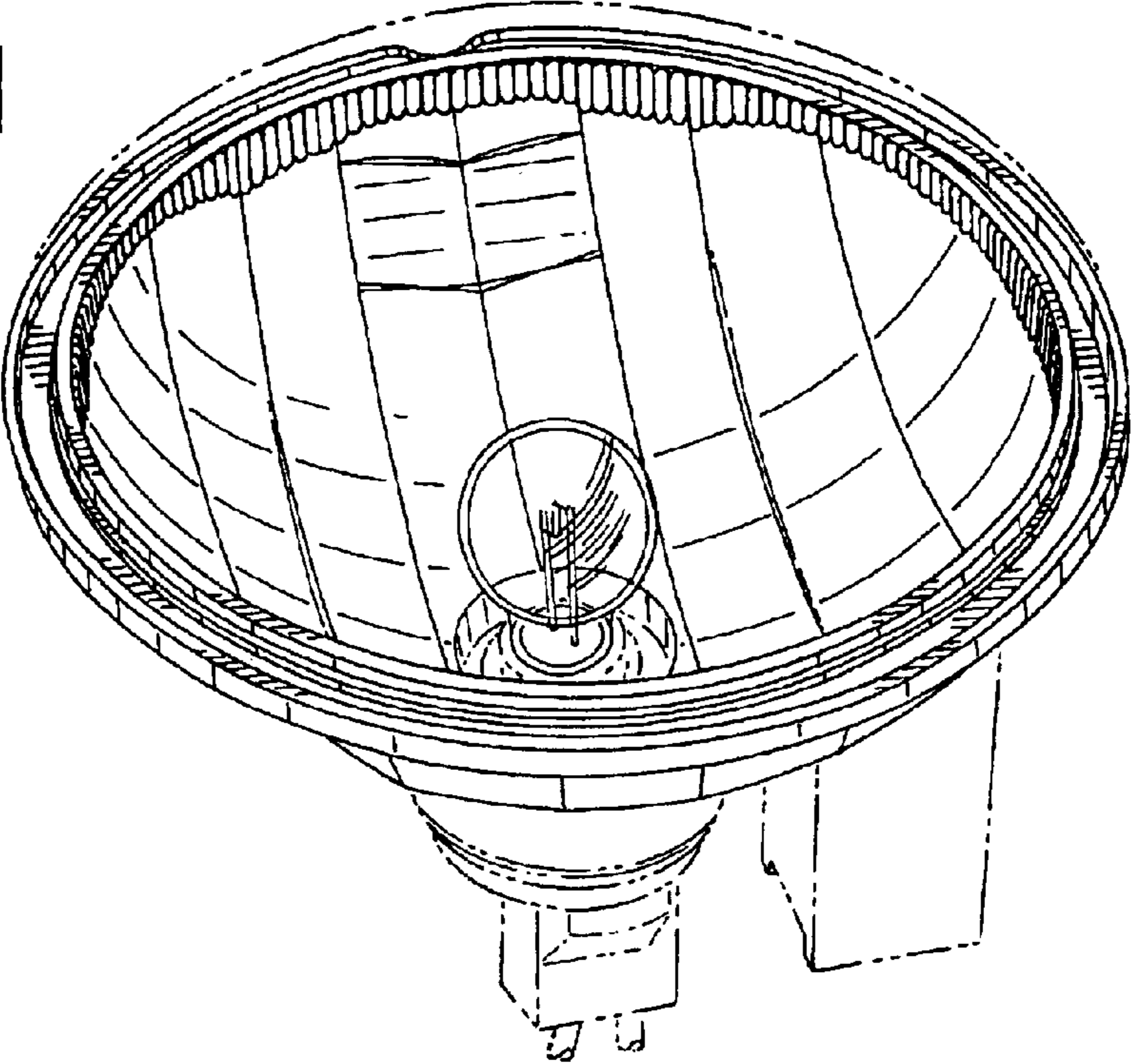


FIG. 2

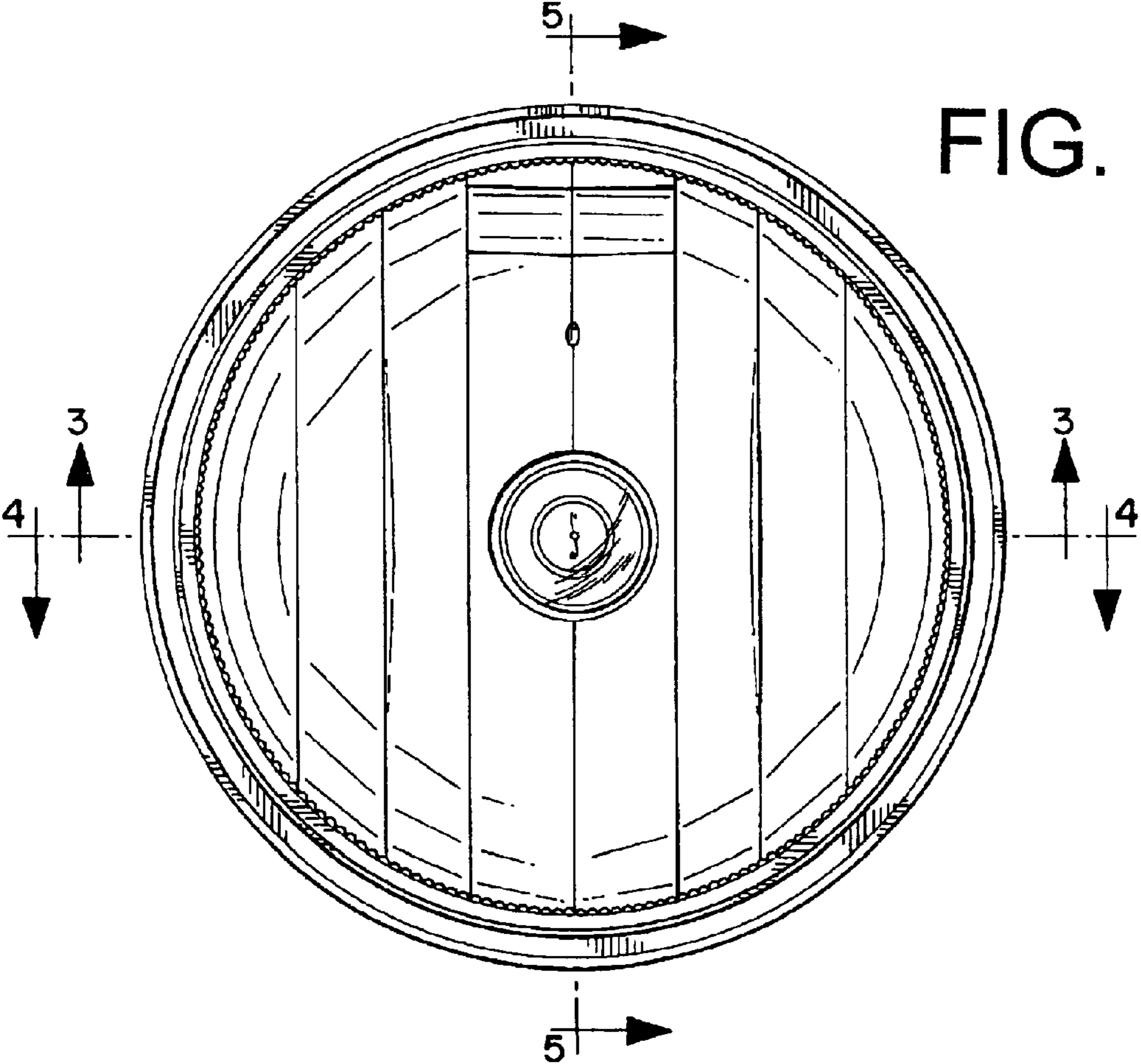


FIG. 3

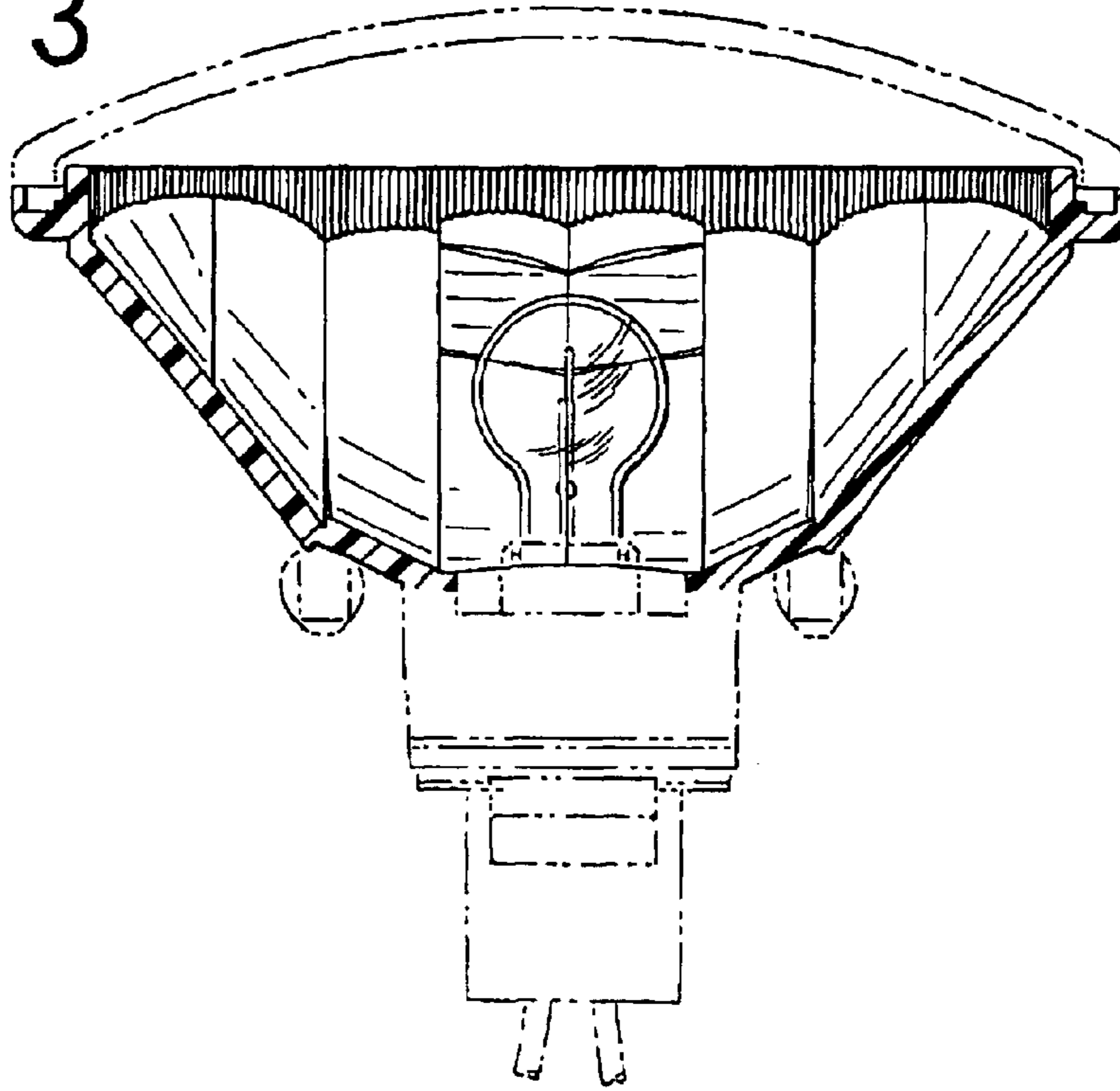


FIG. 4

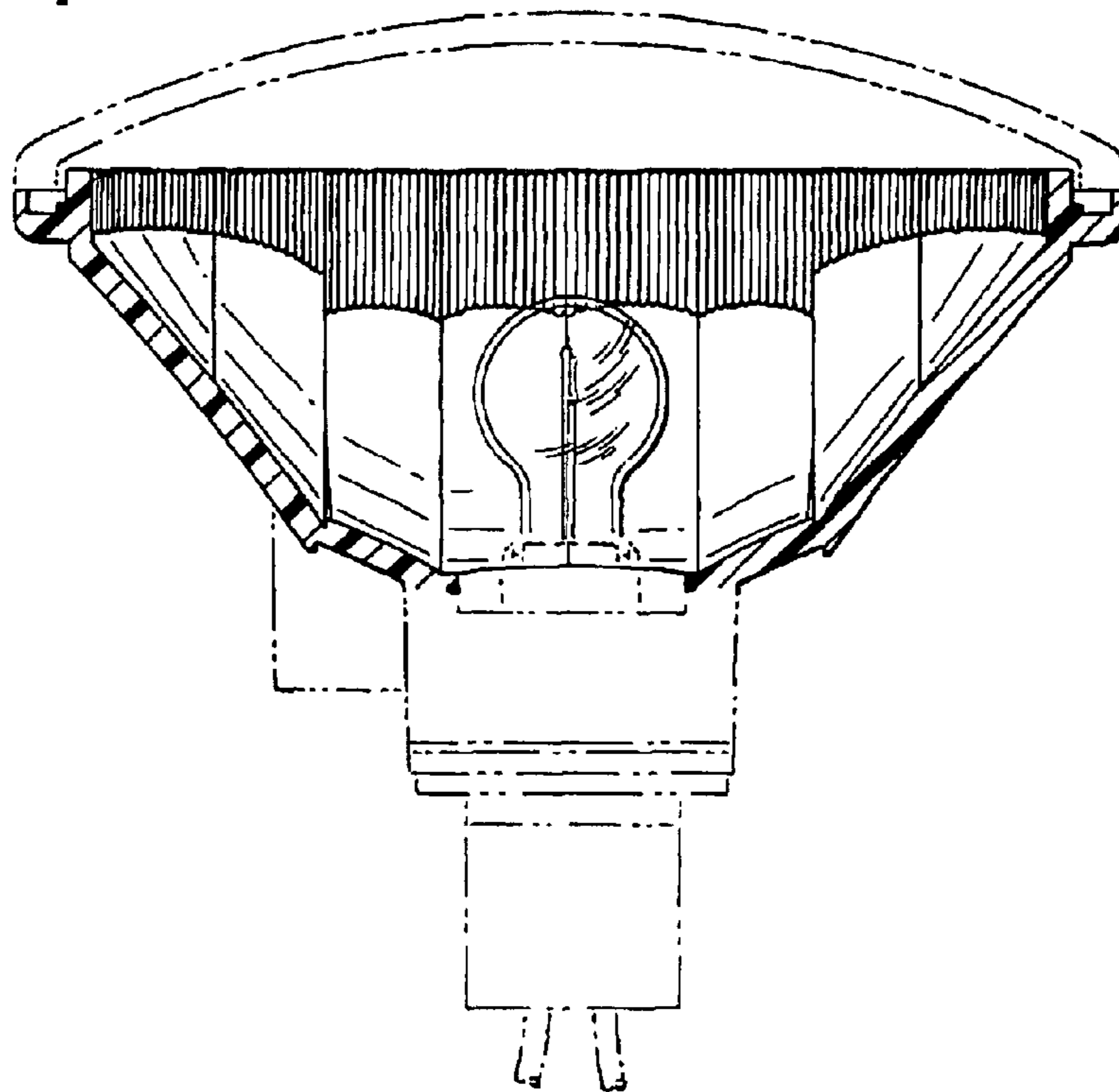


FIG. 5

