

US00D503001S

(12) **United States Design Patent** (10) **Patent No.:** **US D503,001 S**
Link (45) **Date of Patent:** **** Mar. 15, 2005**

(54) **GARAGE DOOR PANEL**

(76) Inventor: **Timothy J. Link**, 321 Mojave W., Lake Quivira, KS (US) 66217

(**) Term: **14 Years**

(21) Appl. No.: **29/203,388**

(22) Filed: **Apr. 14, 2004**

Related U.S. Application Data

(62) Division of application No. 29/176,160, filed on Feb. 19, 2003.

(51) **LOC (7) Cl.** **25-01**

(52) **U.S. Cl.** **D25/138**

(58) **Field of Search** D25/48, 138, 49;
52/474, 474.1, 630; 160/98, 113, 115, 87,
130, 238

(56) **References Cited**

U.S. PATENT DOCUMENTS

3,533,190 A 10/1970 Johnson et al.
D350,614 S * 9/1994 Poole D25/138
D475,146 S 5/2003 Mullet

* cited by examiner

Primary Examiner—Doris Clark

(74) *Attorney, Agent, or Firm*—Lathrop & Gage, L.C.

(57) **CLAIM**

The ornamental design for a garage door panel, as shown and described.

DESCRIPTION

FIG. 1 is a perspective view of one embodiment of a garage door panel, showing the new design;

FIG. 2 is a front elevational view of the garage door panel of FIG. 1;

FIG. 3 is a top plan view of the garage door panel of FIG. 1;

FIG. 4 is a right side elevational view of the garage door panel of FIG. 1, the left side elevational view being a mirror image thereof;

FIG. 5 is a bottom plan view of the garage door panel of FIG. 1;

FIG. 6 is a perspective view of the garage door panel of FIG. 1 as located in a garage door;

FIG. 7 is a perspective view of a second embodiment of a garage door panel, showing the new design;

FIG. 8 is a front elevational view of the garage door panel of FIG. 7;

FIG. 9 is a top plan view of the garage door panel of FIG. 7;

FIG. 10 is a bottom plan view of the garage door panel of FIG. 7;

FIG. 11 is a right side elevational view of the garage door panel of FIG. 7, the left side elevational view being a mirror image thereof;

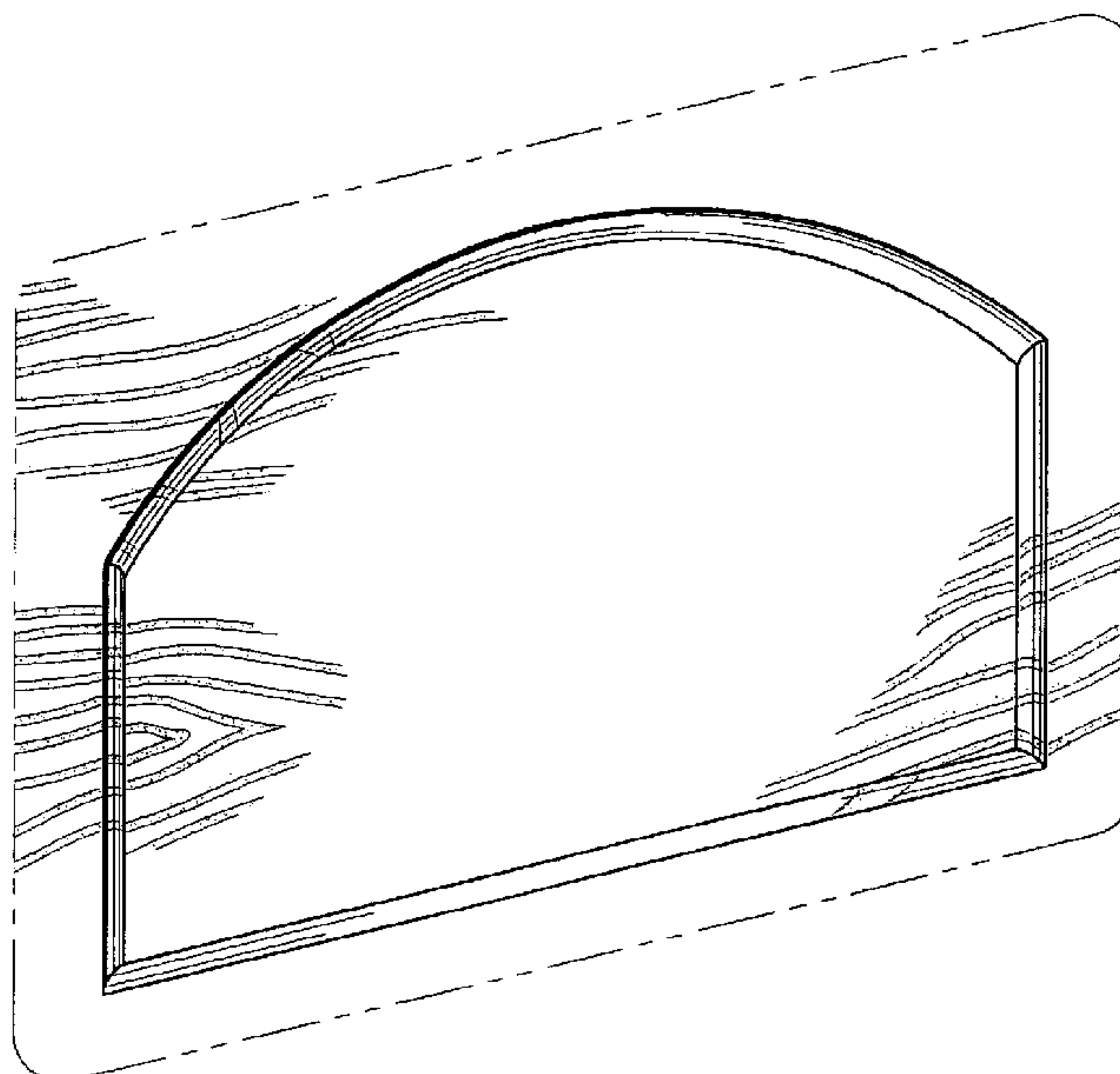
FIG. 12 is an enlarged cross-sectional view of the garage door panel of FIG. 7 taken along line 12—12; and,

FIG. 13 is a perspective view of the garage door panel of FIG. 7 as located in a garage door.

The broken line showing the remainder of the garage door panel is for illustrative purposes only and forms no part of the claimed design.

The claimed design is broken in the center in FIG. 12 for ease of illustration.

1 Claim, 6 Drawing Sheets



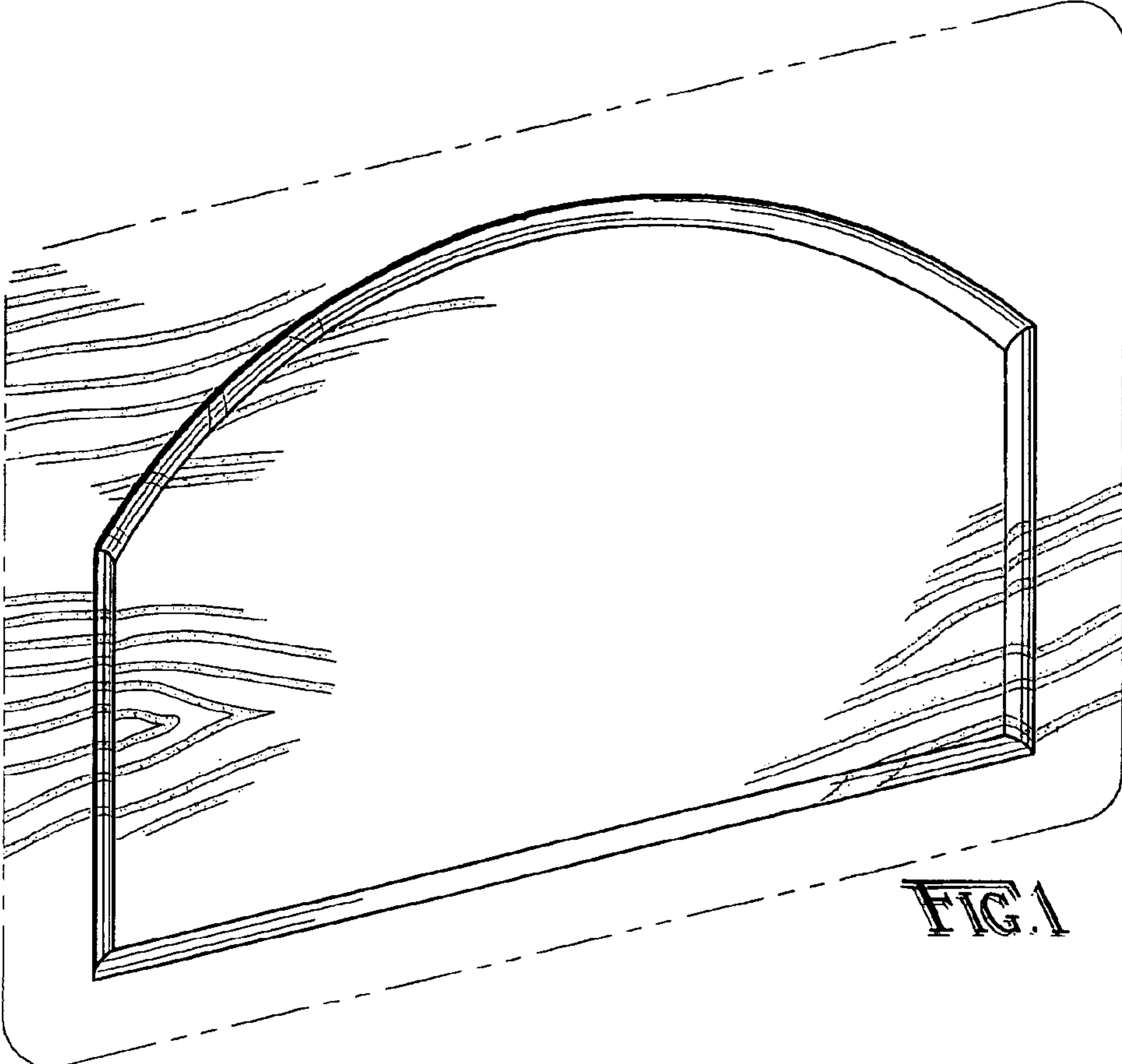


FIG. 1

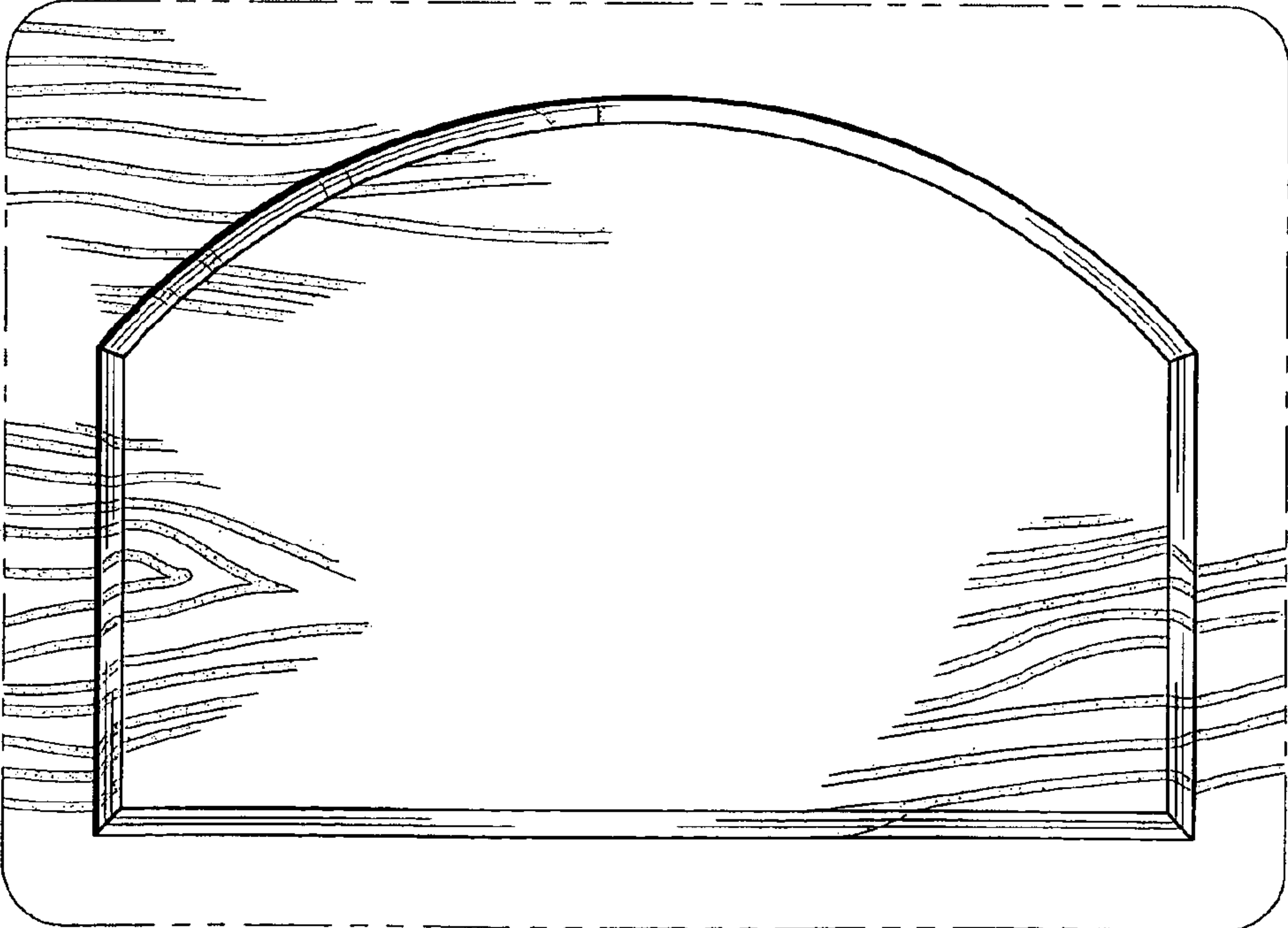


FIG. 2

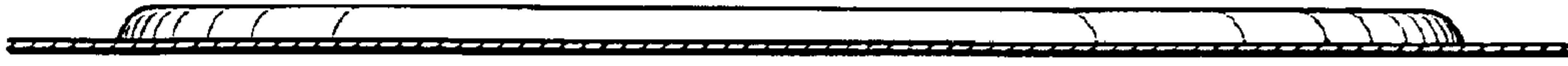


FIG. 3



FIG. 4



FIG. 5

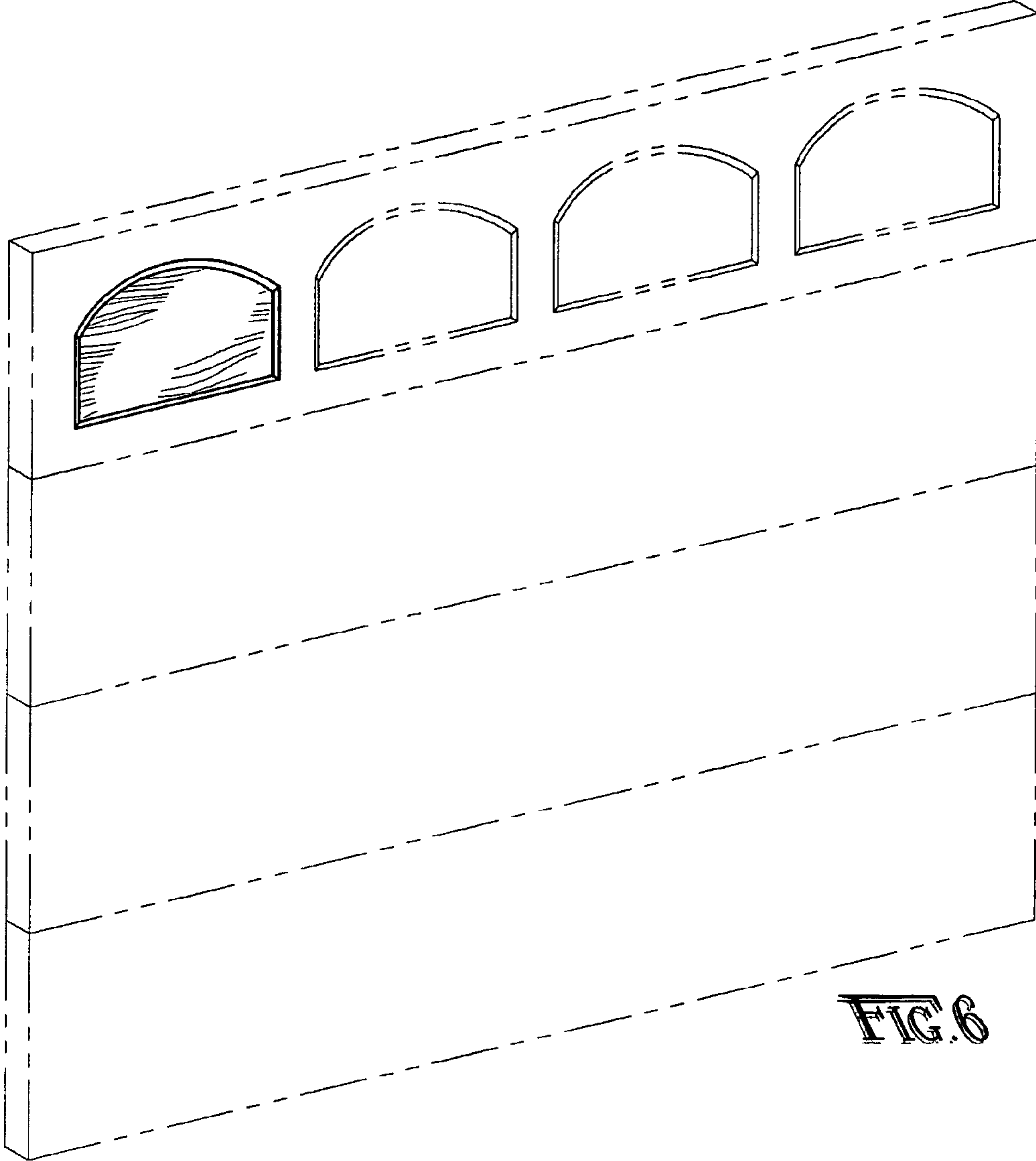


FIG. 6

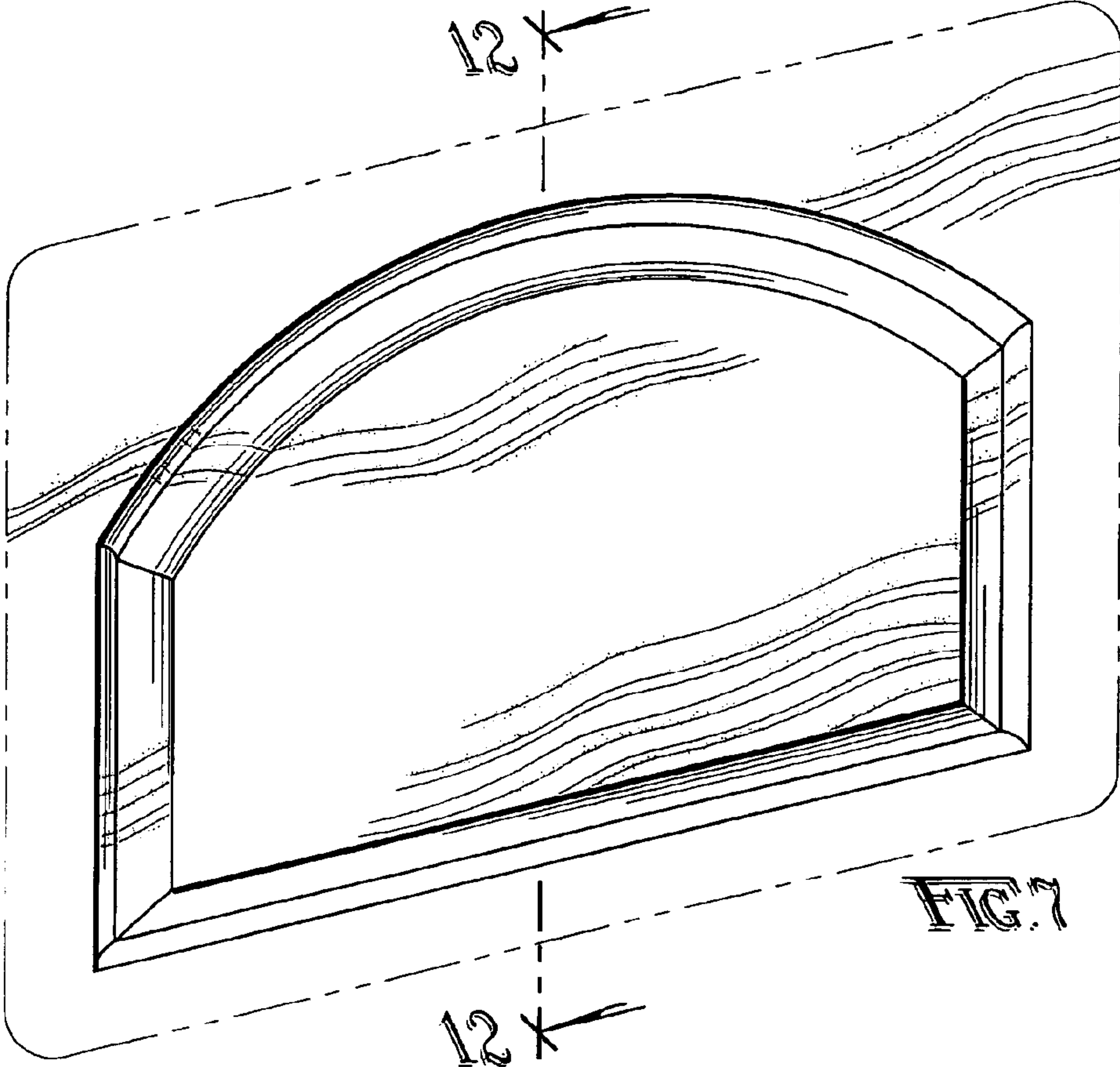


FIG. 7

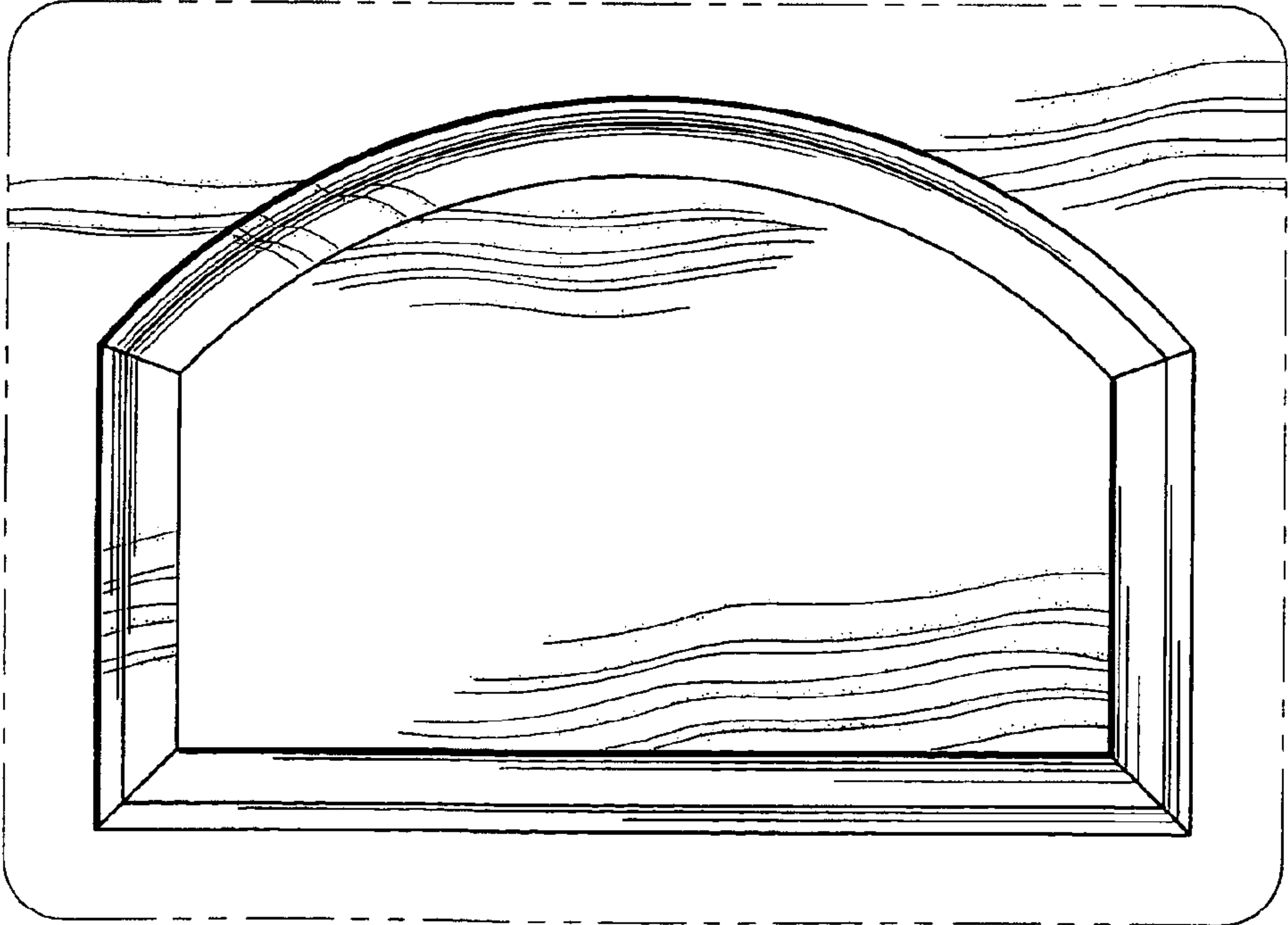


FIG. 8



FIG. 9

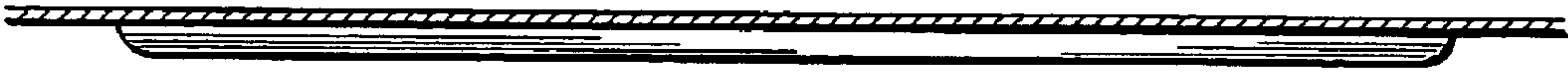


FIG. 10



FIG. 11

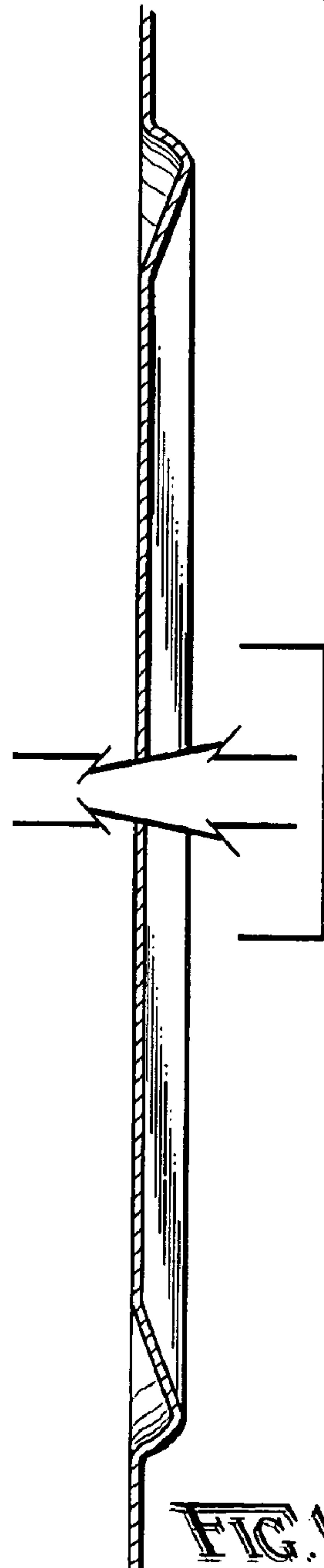


FIG. 12

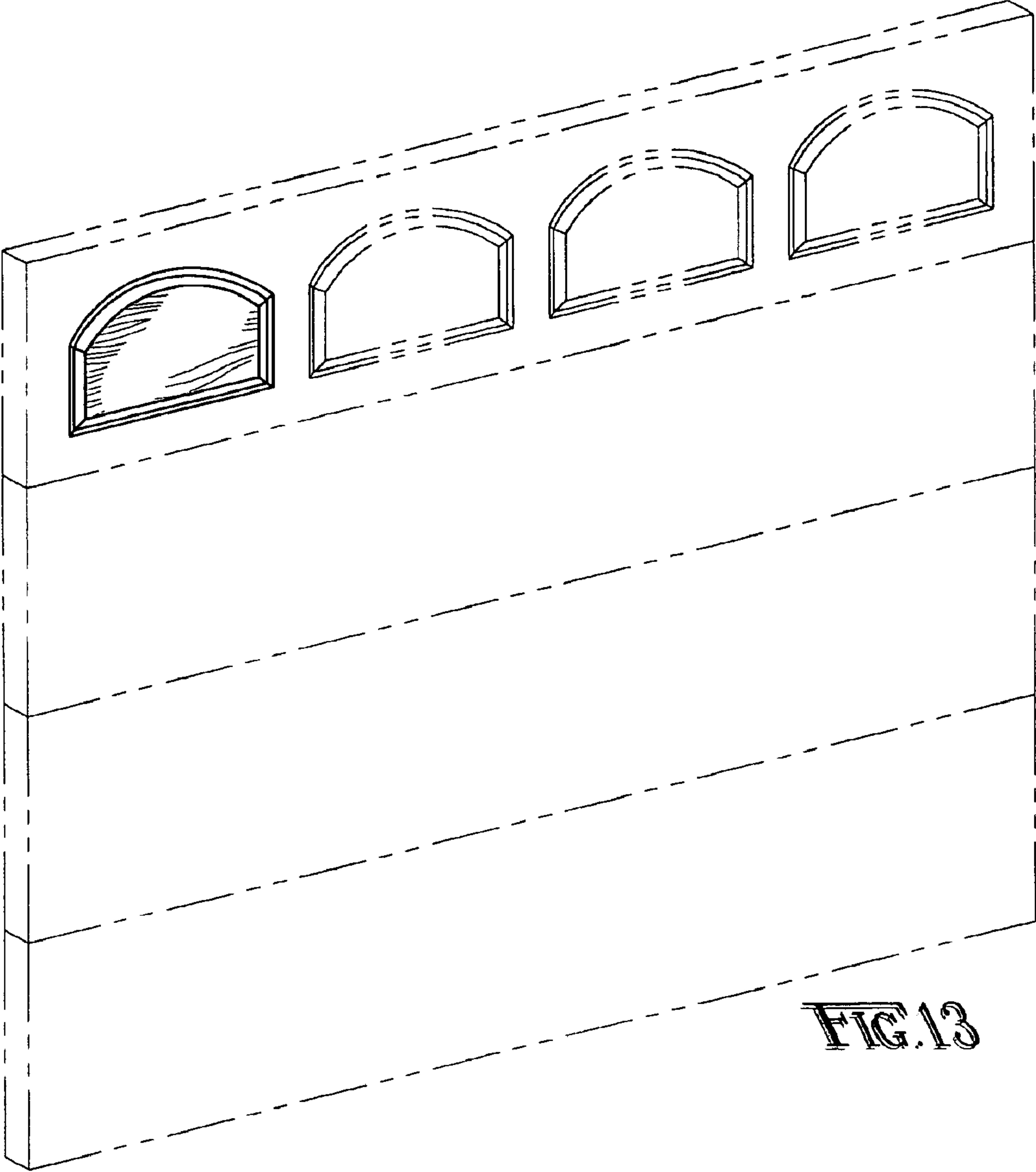


FIG. 13