

US00D502998S

(12) **United States Design Patent**  
**Wickland**

(10) **Patent No.:** **US D502,998 S**  
(45) **Date of Patent:** **\*\* Mar. 15, 2005**

(54) **WINDOW COMPONENT EXTRUSION**

(75) **Inventor:** **Timothy T. Wickland**, Rockford, IL  
(US)

(73) **Assignee:** **Mikron Industries, Inc.**, Kent, WA  
(US)

(\*\*) **Term:** **14 Years**

(21) **Appl. No.:** **29/181,853**

(22) **Filed:** **May 15, 2003**

(51) **LOC (7) Cl.** ..... **25-01**

(52) **U.S. Cl.** ..... **D25/124**

(58) **Field of Search** ..... D25/124; 52/204.5;  
49/504, DIG. 2

(56) **References Cited**

**U.S. PATENT DOCUMENTS**

5,379,560 A \* 1/1995 Steller ..... 52/204.7  
D388,187 S \* 12/1997 Goss ..... D25/124

**OTHER PUBLICATIONS**

Jeffrey R. Franson, Mikron Part No. 6799, First Drawn: Jul. 7, 1993, First Sold: Jul. 14, 2002.

Lorane Goss, Mikron Part No. 7055, First Drawn: Aug. 25, 1994, First Sold: Jan. 10, 1995.

\* cited by examiner

*Primary Examiner*—Doris Clark

(74) *Attorney, Agent, or Firm*—Black Lowe & Graham PLLC

(57) **CLAIM**

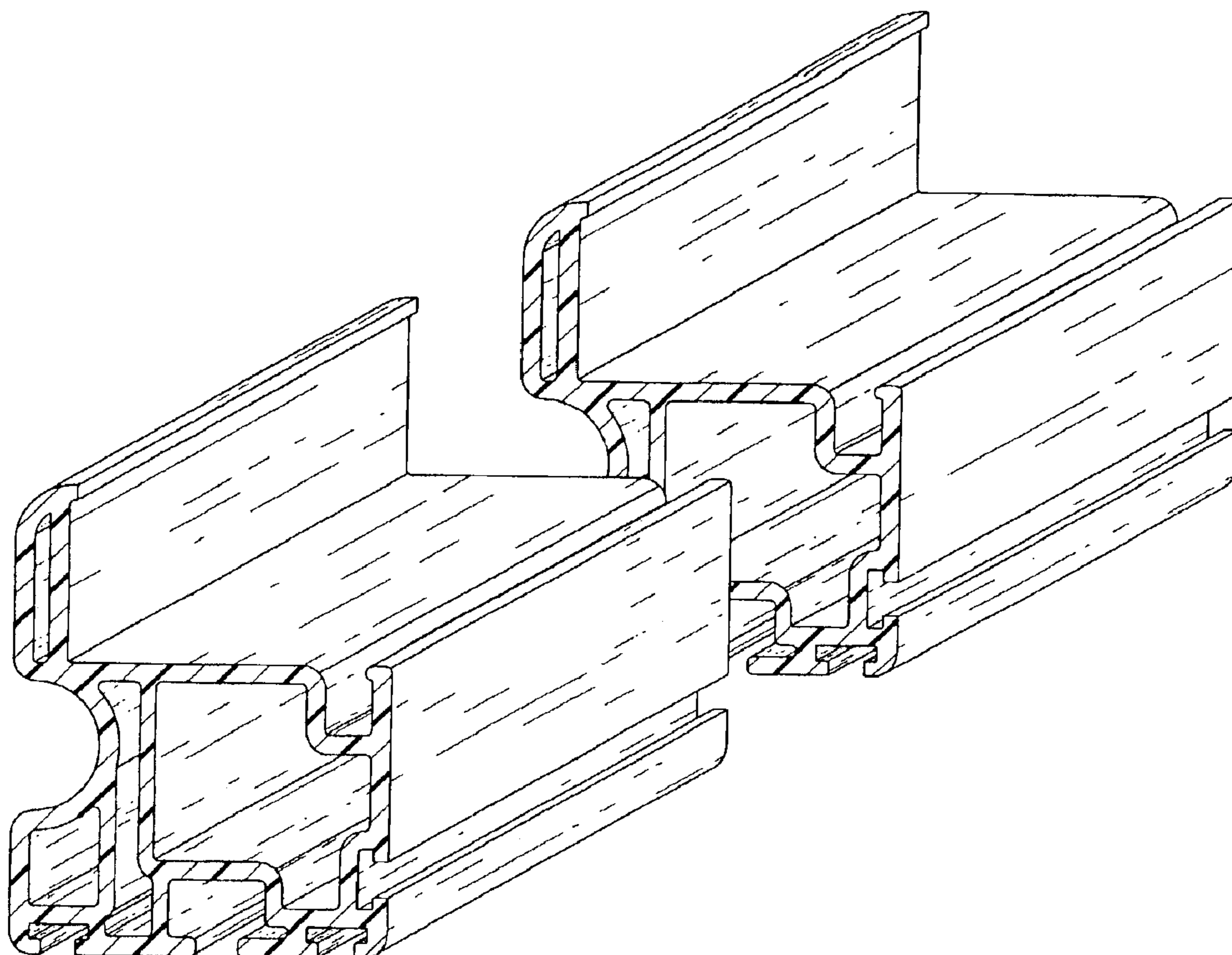
The ornamental design for a window component extrusion, as shown and described.

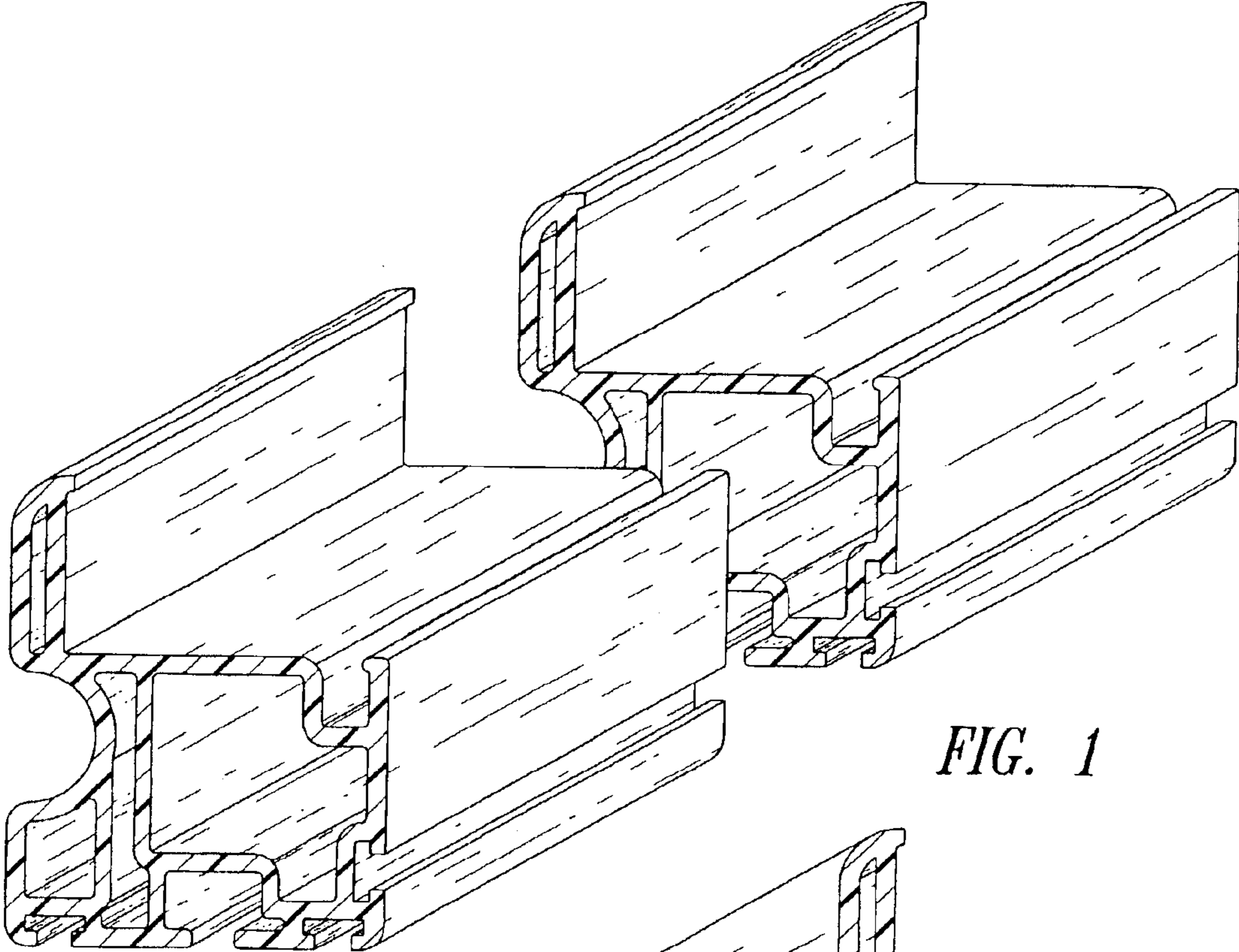
**DESCRIPTION**

FIG. 1 is a top right perspective view of a window component extrusion which is broken in the center indicating indefinite length; and,

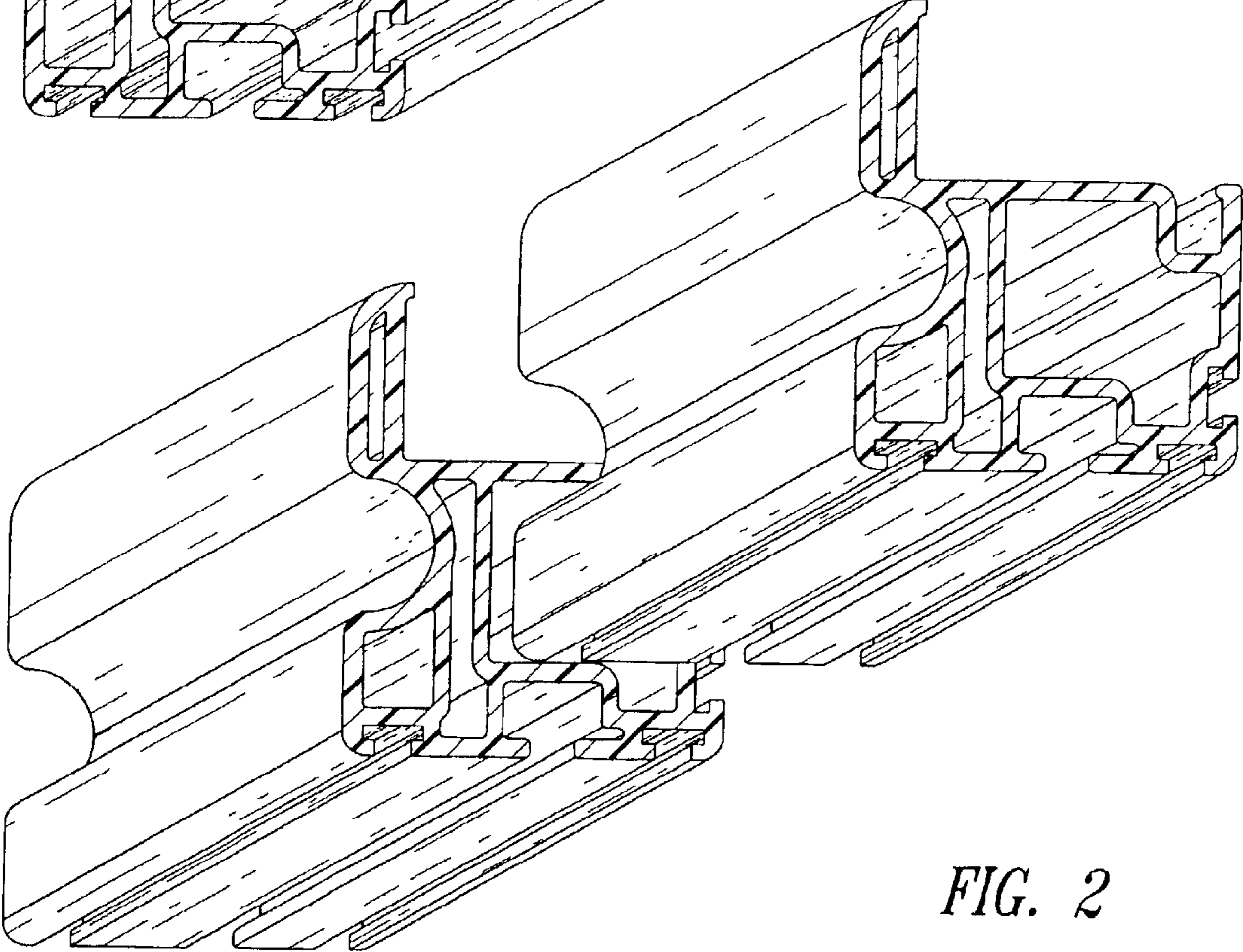
FIG. 2 is a bottom left perspective view of the window component extrusion shown in FIG. 1.

**1 Claim, 1 Drawing Sheet**





*FIG. 1*



*FIG. 2*