

US00D502994S

(12) **United States Design Patent**
Blake, III

(10) **Patent No.:** **US D502,994 S**
(45) **Date of Patent:** **** Mar. 15, 2005**

(54) **REPEATING MULTI-CLIP APPLIER**

(76) **Inventor:** **Joseph W Blake, III**, 77 Locust St.,
New Canaan, CT (US) 06840

(**) **Term:** **14 Years**

(21) **Appl. No.:** **29/182,203**

(22) **Filed:** **May 21, 2003**

(51) **LOC (7) Cl.** **24-02**

(52) **U.S. Cl.** **D24/145**

(58) **Field of Search** D24/145; 227/175.1,
227/901, 902, 179.1; 606/139, 142, 170,
143

(56) **References Cited**

U.S. PATENT DOCUMENTS

- 5,171,247 A * 12/1992 Hughett et al. 606/142
- D332,660 S * 1/1993 Rawson et al. D24/145
- 5,289,963 A * 3/1994 McGarry et al. 227/175.1
- D354,564 S * 1/1995 Medema D24/145

- 5,833,696 A * 11/1998 Whitfield et al. 606/143
- 2002/0002374 A1 * 1/2002 Barreiro et al. 606/142
- 2003/0135224 A1 * 7/2003 Blake, III 606/143

* cited by examiner

Primary Examiner—Ian Simmons

(74) *Attorney, Agent, or Firm*—Patrick J. Walsh

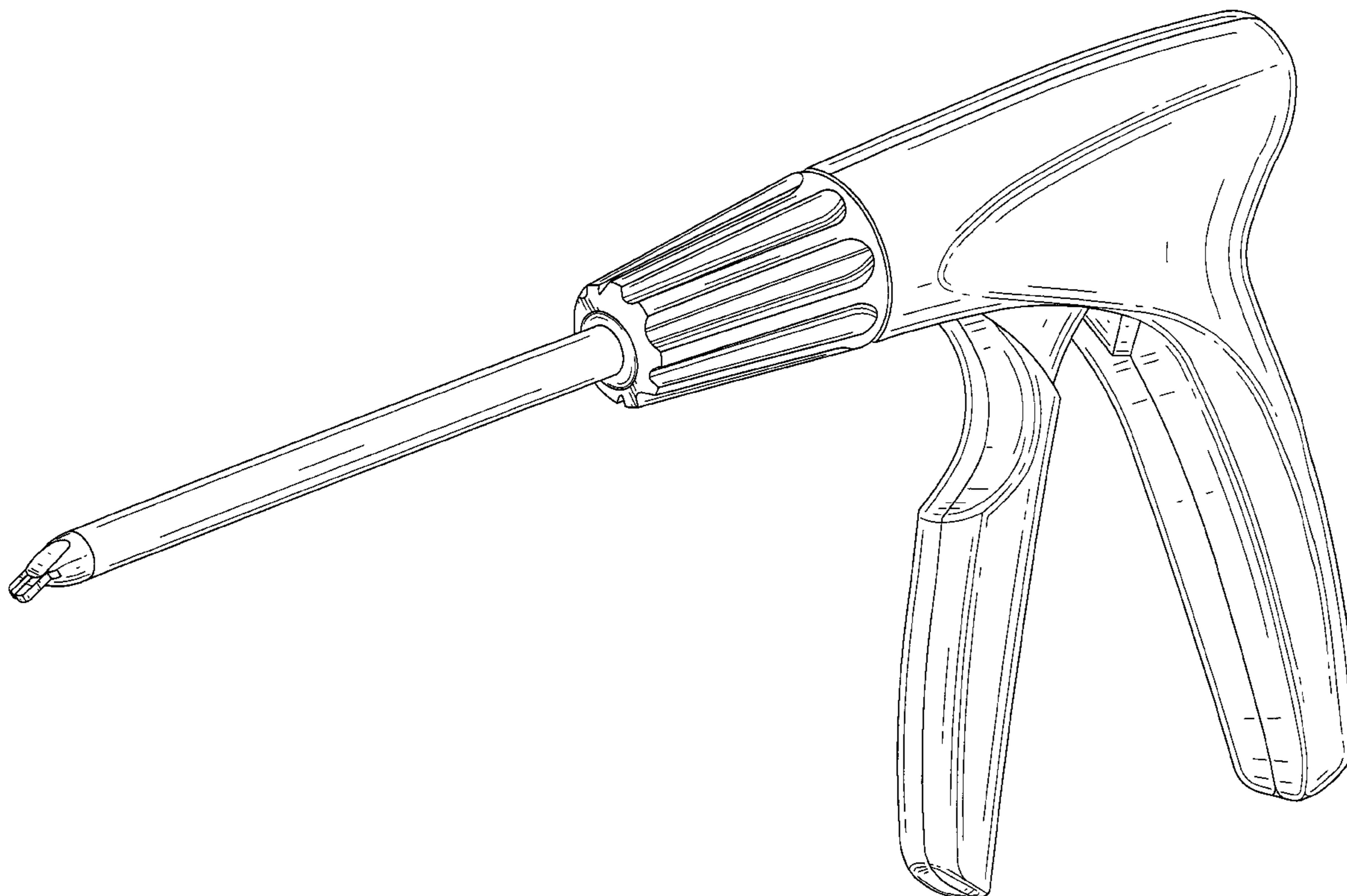
(57) **CLAIM**

The ornamental design for repeating multi-clip applier, substantially as shown and described.

DESCRIPTION

FIG. 1 is a perspective view of Design for repeating multi-clip applier, showing my new design;
 FIG. 2 is a plan view thereof;
 FIG. 3 is a side elevation view thereof with the back side not shown having the same appearance;
 FIG. 4 is a front elevation view thereof; and,
 FIG. 5 is a rear elevation view thereof.

1 Claim, 3 Drawing Sheets



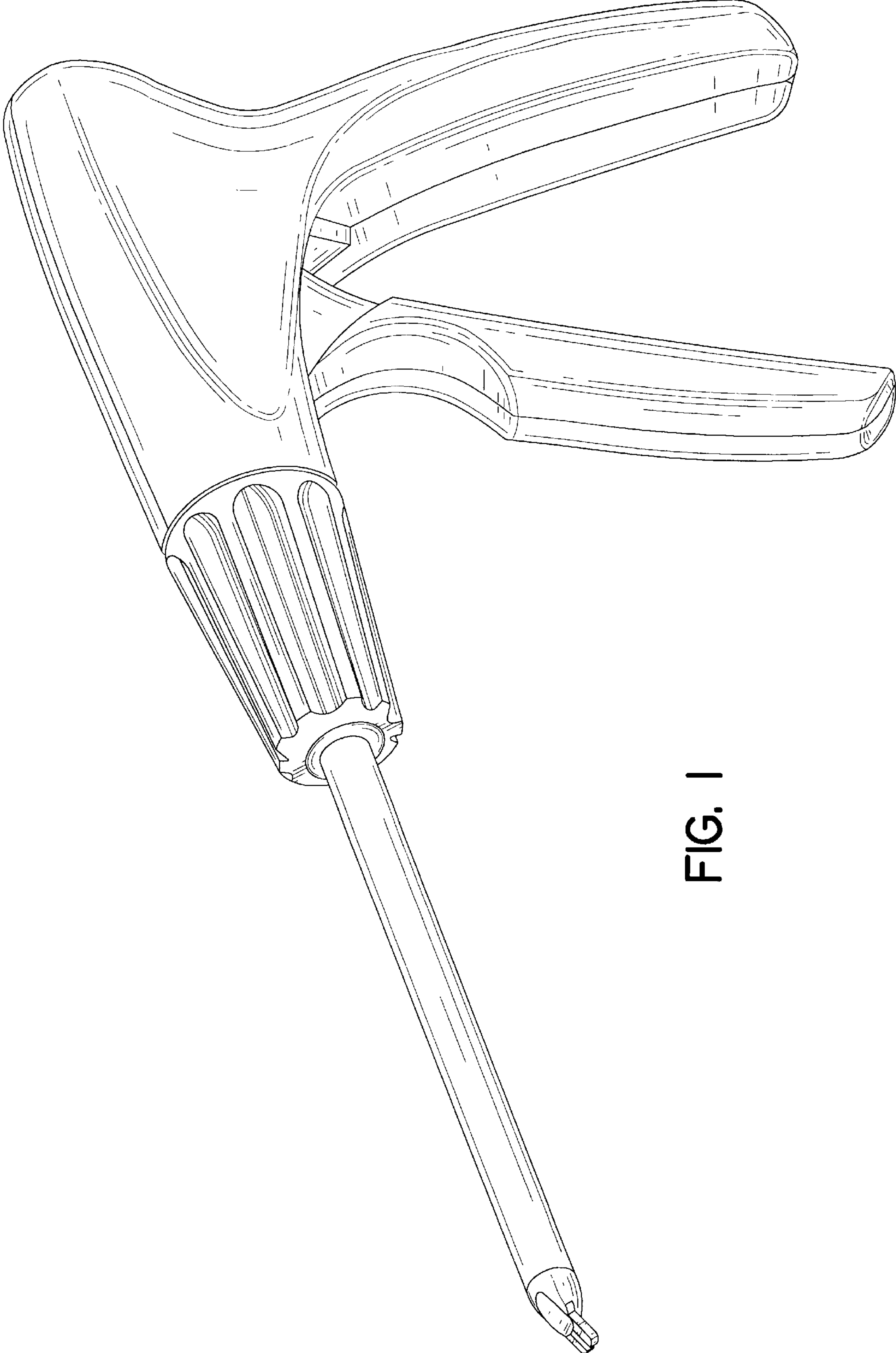


FIG. 1

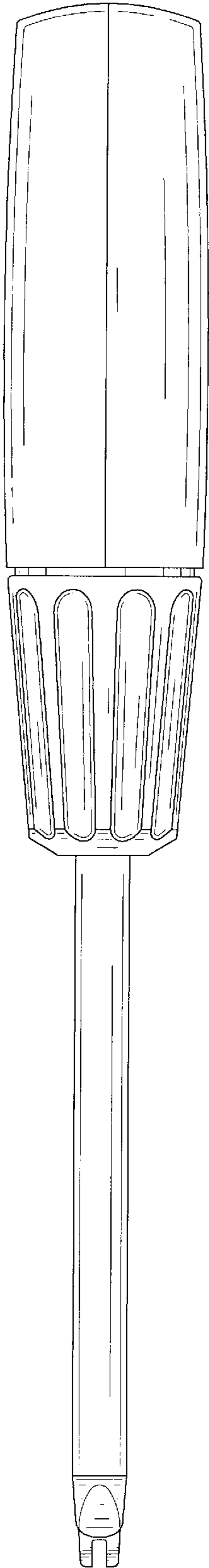


FIG. 2

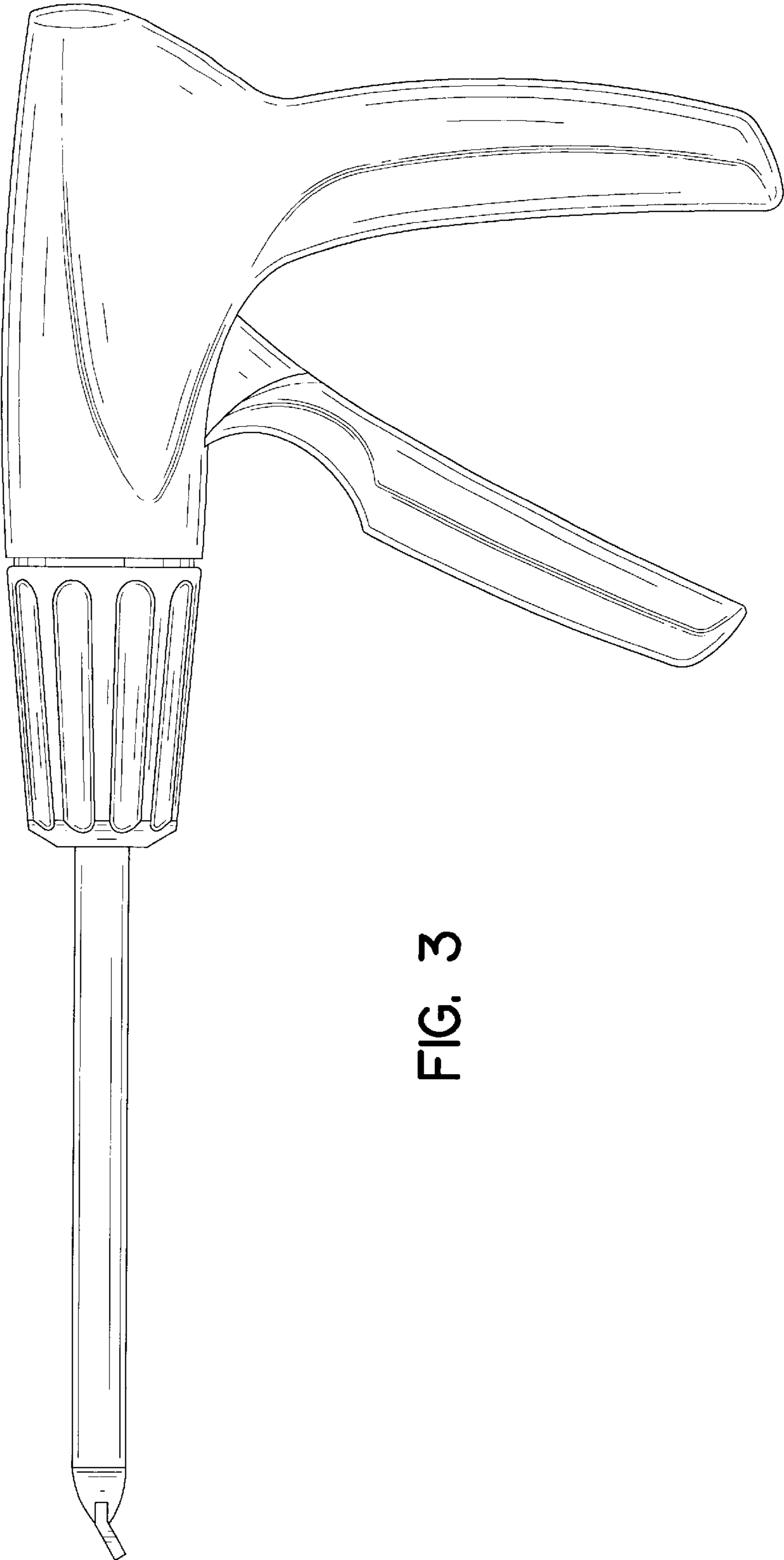


FIG. 3

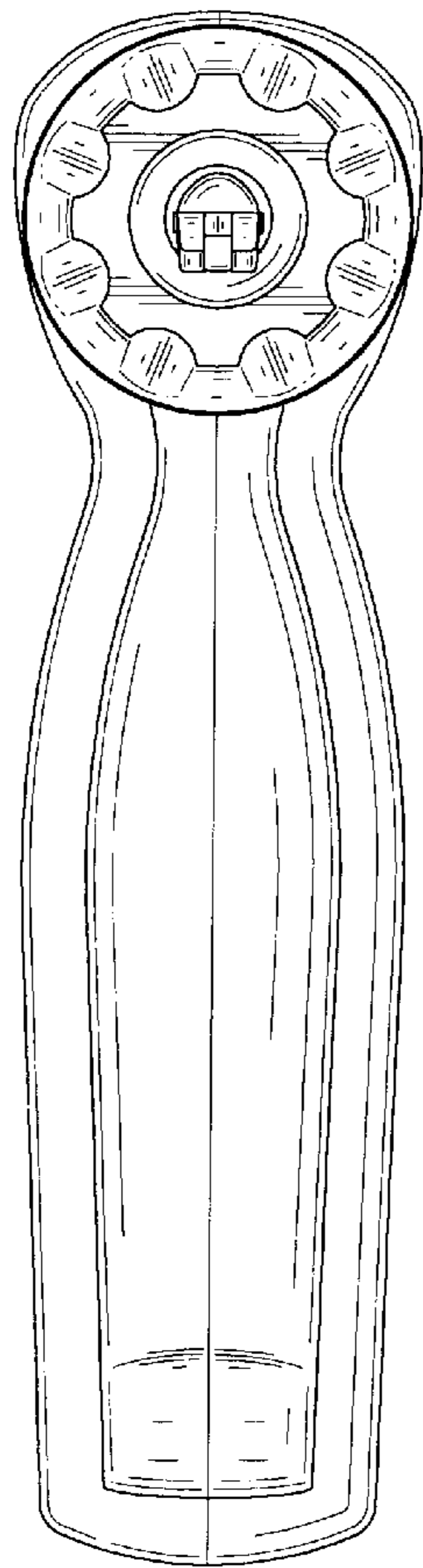


FIG. 4

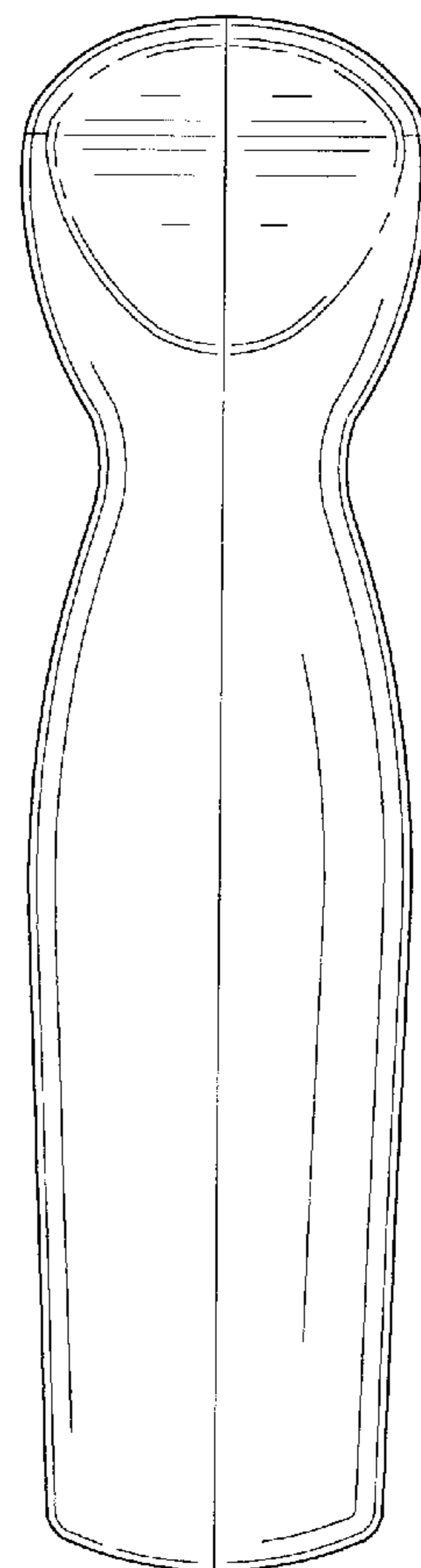


FIG. 5