

US00D502993S

(12) **United States Design Patent**
McArthur et al.

(10) **Patent No.: US D502,993 S**
(45) **Date of Patent: ** Mar. 15, 2005**

(54) **WASTE COLLECTION CONTAINER**

(75) Inventors: **Greg McArthur**, Sandy, UT (US);
Fred P. Lampropoulos, Sandy, UT
(US); **Arlin D. Nelson**, Sandy, UT (US)

(73) Assignee: **Merit Medical Systems, Inc.**, South
Jordan, UT (US)

(**) Term: **14 Years**

(21) Appl. No.: **29/153,624**

(22) Filed: **Jan. 10, 2002**

(51) **LOC (7) Cl.** **24-02**

(52) **U.S. Cl.** **D24/131**

(58) **Field of Search** D24/131; D34/1;
206/366, 370, 369

4,672,688 A	6/1987	Kalkipsakis
4,728,504 A	3/1988	Nichols
4,845,487 A	7/1989	Frantz et al.
4,850,807 A	7/1989	Frantz
4,874,103 A	10/1989	Quisenberry et al.
4,940,157 A	7/1990	Inagaki
4,946,290 A	8/1990	Matyja
4,953,708 A	9/1990	Beer et al.

(List continued on next page.)

FOREIGN PATENT DOCUMENTS

GB 2 251 423 A 7/1992

Primary Examiner—Ian Simmons

(74) *Attorney, Agent, or Firm*—TraskBritt

(57) **CLAIM**

The ornamental design for a waste collection container, as shown and described.

DESCRIPTION

FIG. 1 is a top view of the waste collection container showing our new design;

FIG. 2 is a right perspective view of the waste collection container thereof;

FIG. 3 is a bottom view of the waste collection container thereof;

FIG. 4 is a side view of the waste collection container, the opposite view being a mirror image of that shown;

FIG. 5 is a front elevational view of the waste collection container, the rear elevational view being a mirror image of that shown;

FIG. 6 is a left perspective view of the waste collection container; and,

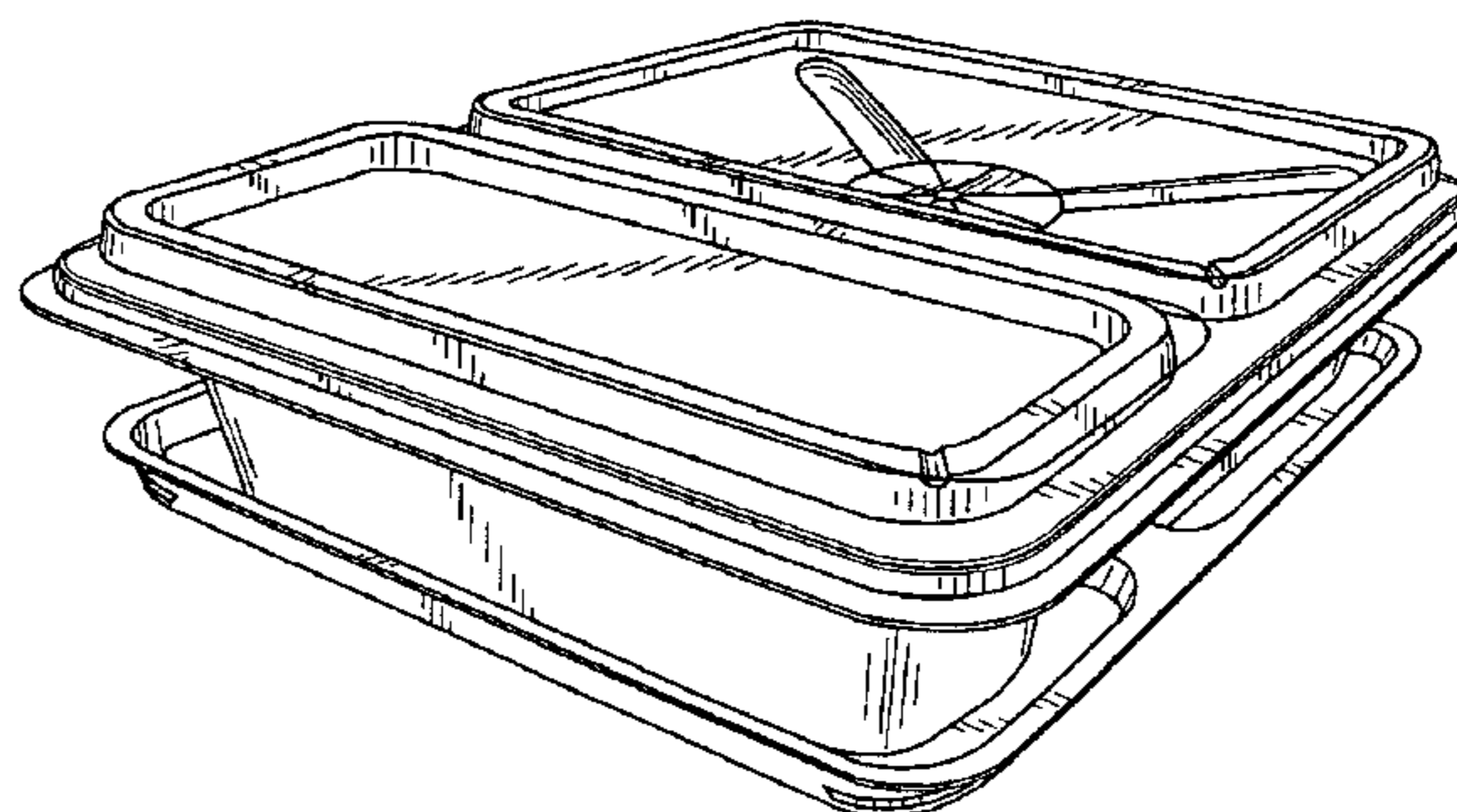
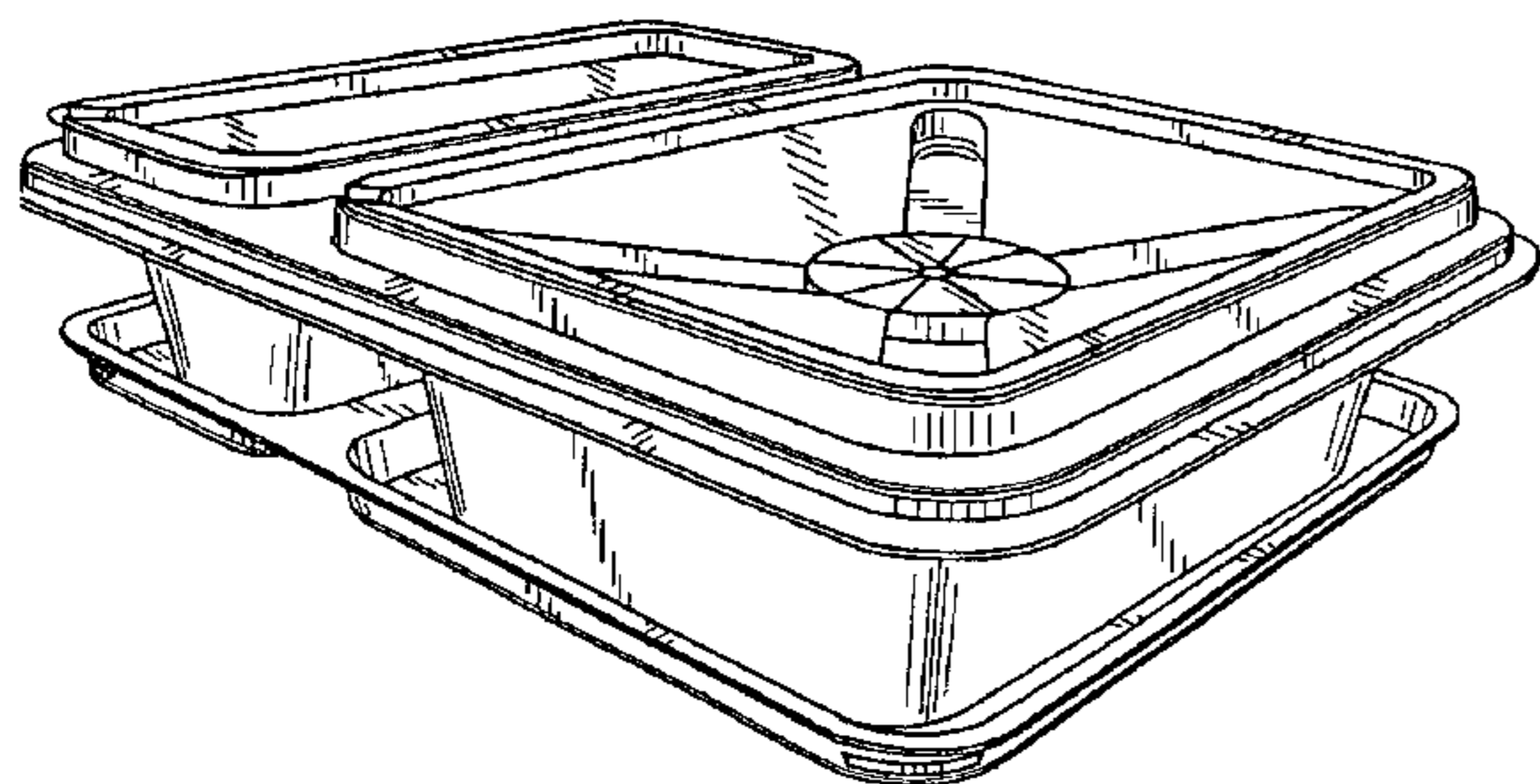
FIG. 7 is a rear perspective view of the waste collection container.

1 Claim, 4 Drawing Sheets

(56) **References Cited**

U.S. PATENT DOCUMENTS

3,215,299 A	11/1965	Coanda et al.
3,387,732 A	6/1968	Jellies
3,537,498 A	11/1970	Amand
3,581,928 A	6/1971	Amand
3,635,367 A	1/1972	Morita et al.
3,901,399 A	8/1975	McPhee
4,088,166 A	5/1978	Miller
4,090,541 A	5/1978	Cammarata, III et al.
4,199,062 A	4/1980	Johnston et al.
4,232,721 A	11/1980	Martin et al.
4,301,935 A	11/1981	Gokeen et al.
4,308,904 A	1/1982	Martin et al.
4,465,487 A	8/1984	Nakamura et al.
4,488,643 A	12/1984	Pepper
4,581,763 A	4/1986	Olsen
4,615,045 A	9/1986	Siegel
D287,756 S	* 1/1987	Szablak et al. D24/131
4,641,680 A	2/1987	Been



US D502,993 S

Page 2

U.S. PATENT DOCUMENTS

4,991,731 A	2/1991	Osip et al.	5,167,193 A	12/1992	Withers et al.
5,023,119 A	6/1991	Yamakoshi	5,172,808 A	12/1992	Bruno
5,039,004 A	8/1991	Simpson	D332,680 S *	1/1993	Ramirez D24/131
5,083,678 A	1/1992	Waring	5,259,501 A	11/1993	Withers et al.
5,100,000 A	3/1992	Huseman	5,265,724 A	11/1993	Dondlinger
5,116,139 A	5/1992	Young et al.	5,483,999 A	1/1996	Lampropoulos et al.
D330,417 S	10/1992	Bell	5,707,173 A	1/1998	Cottone et al.
5,152,394 A	10/1992	Hughes	6,053,314 A	4/2000	Pittman
5,163,375 A	11/1992	Withers et al.	D447,233 S *	8/2001	Bickel et al. D24/131

* cited by examiner

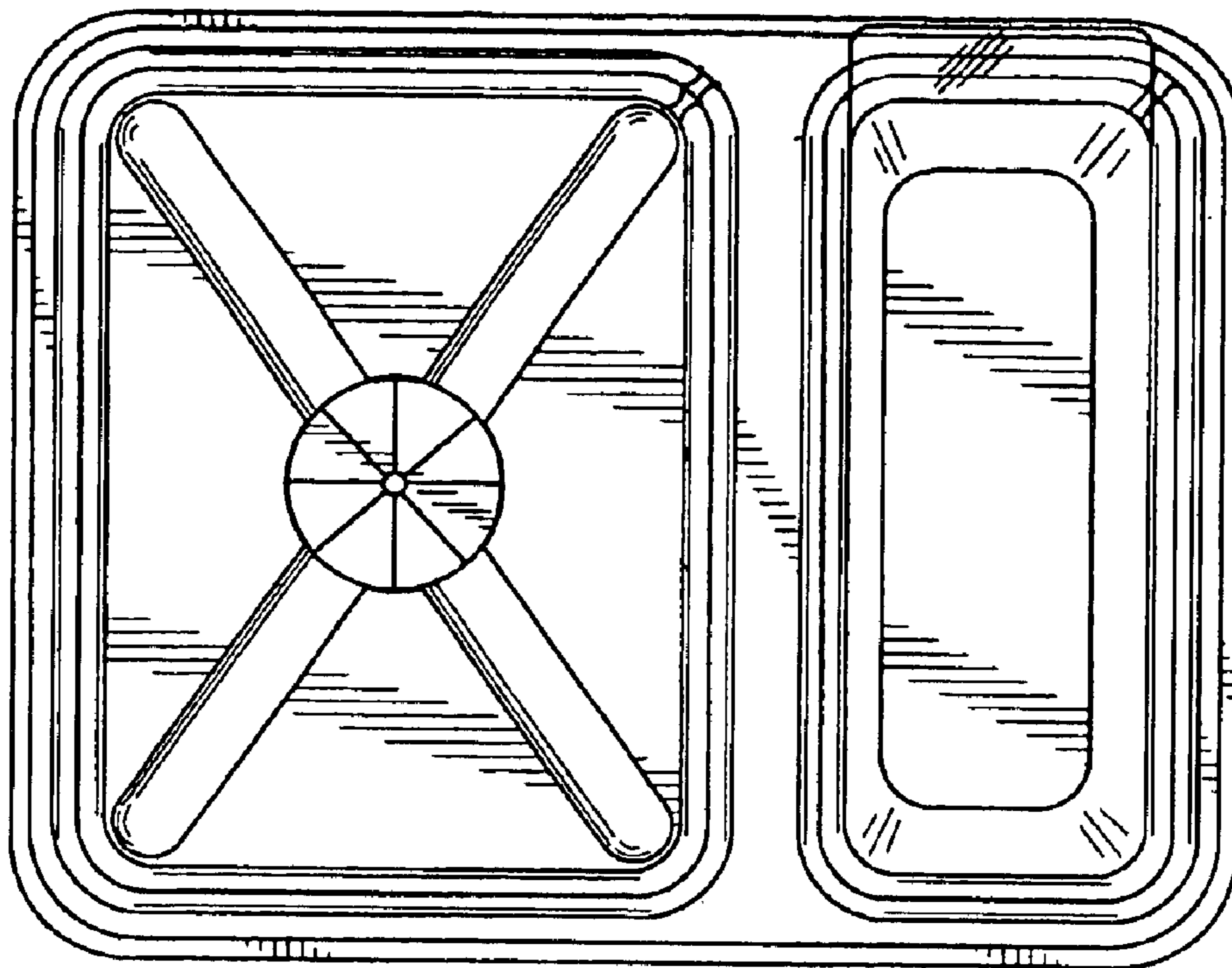


Fig. 1

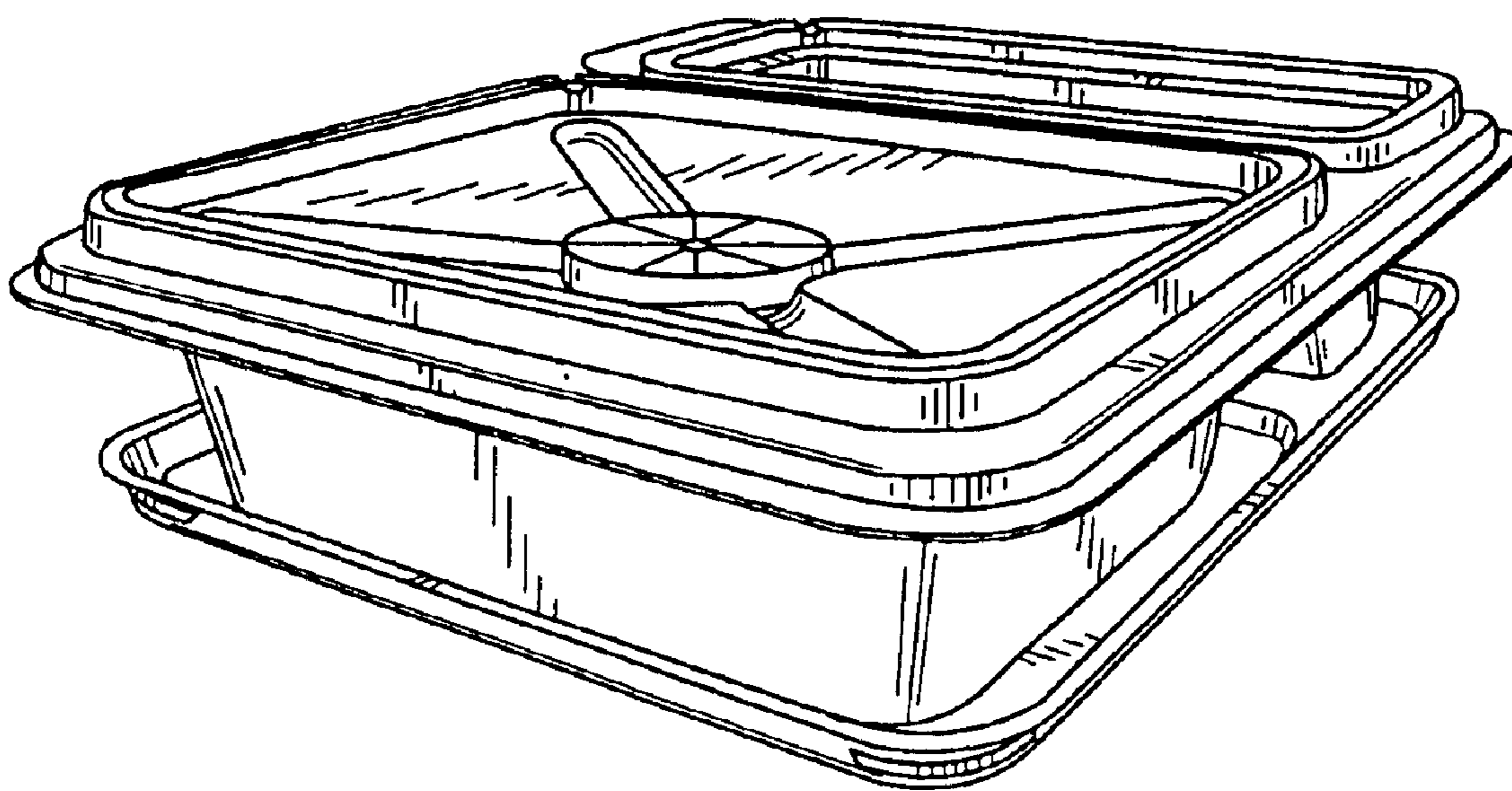


Fig. 2

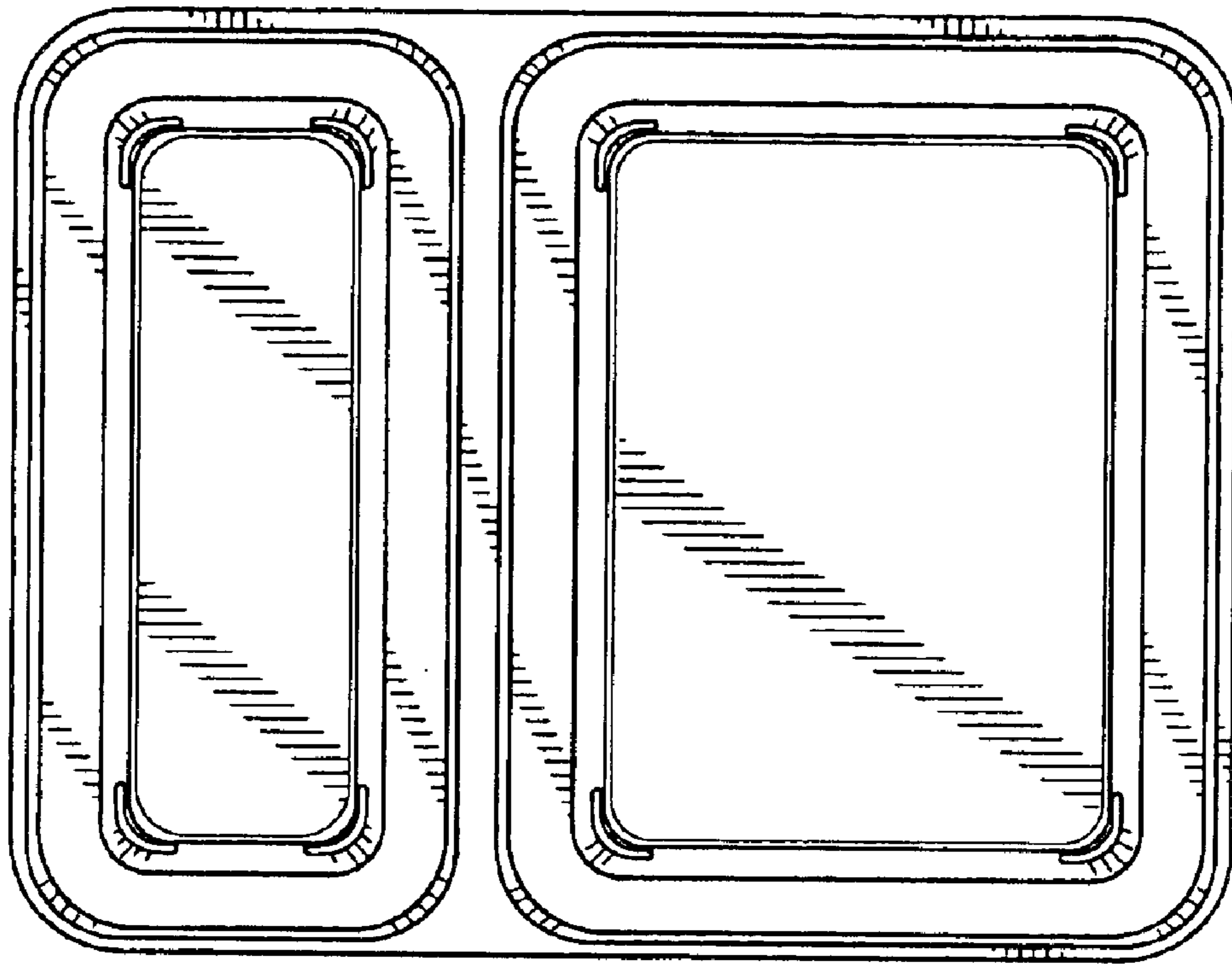


Fig. 3

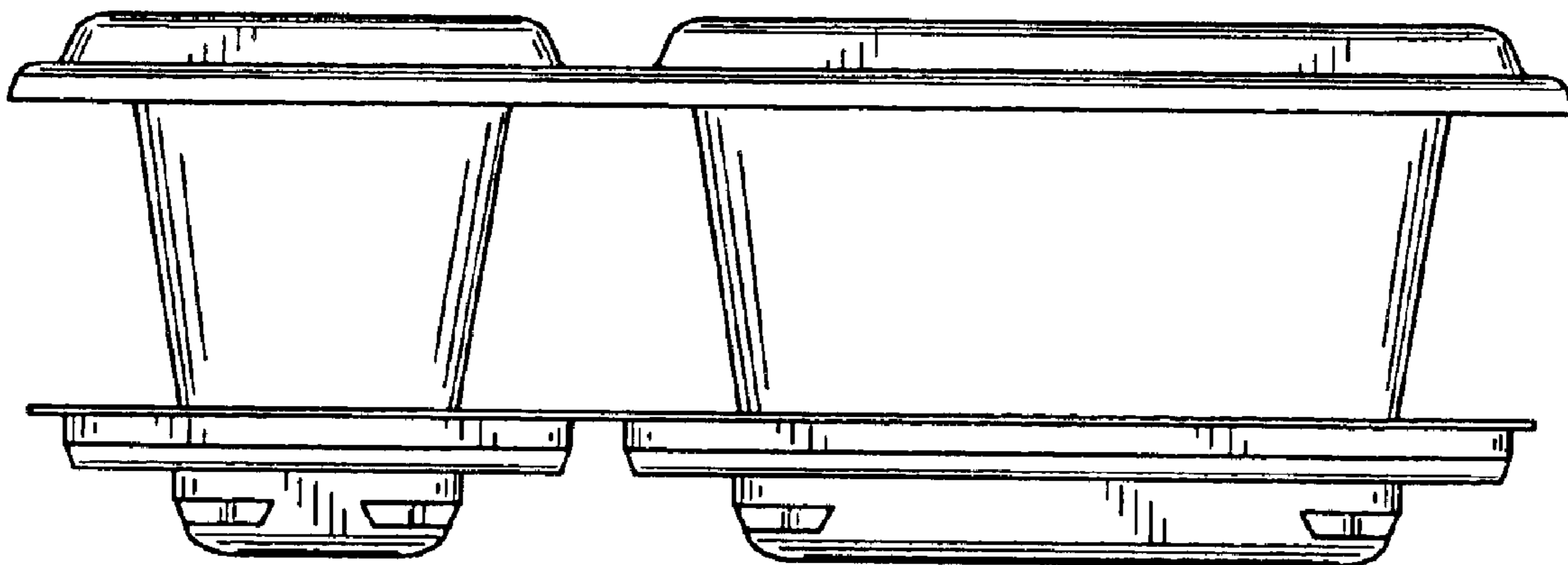


Fig. 4

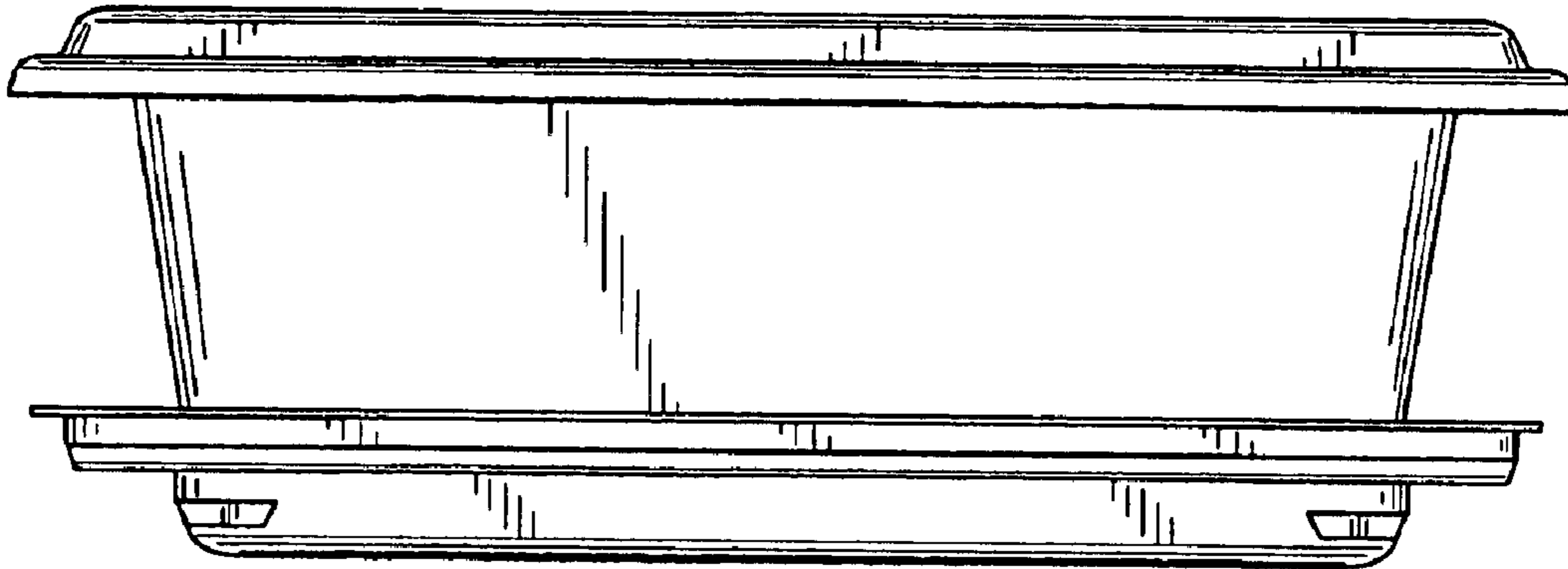


Fig. 5

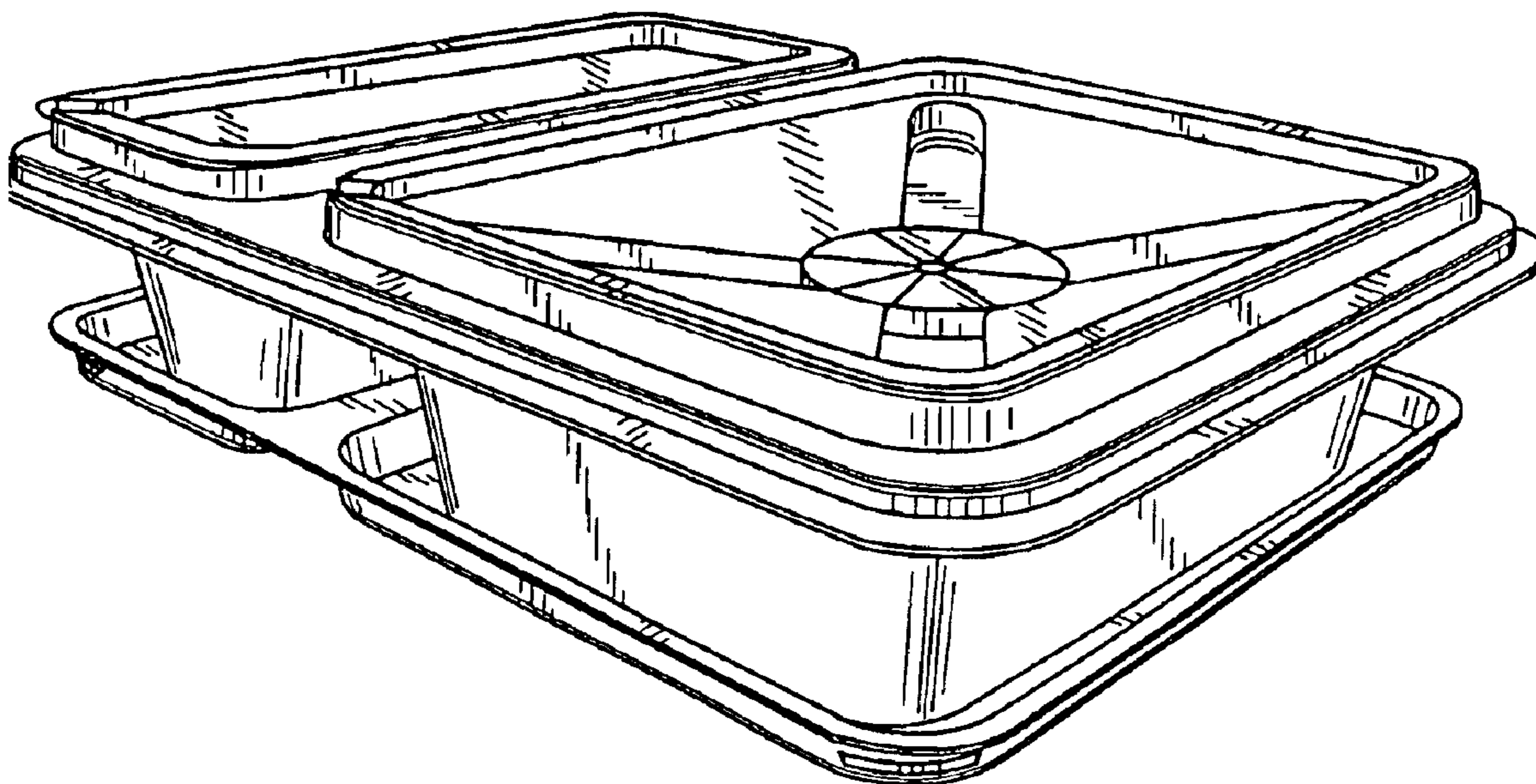


Fig. 6

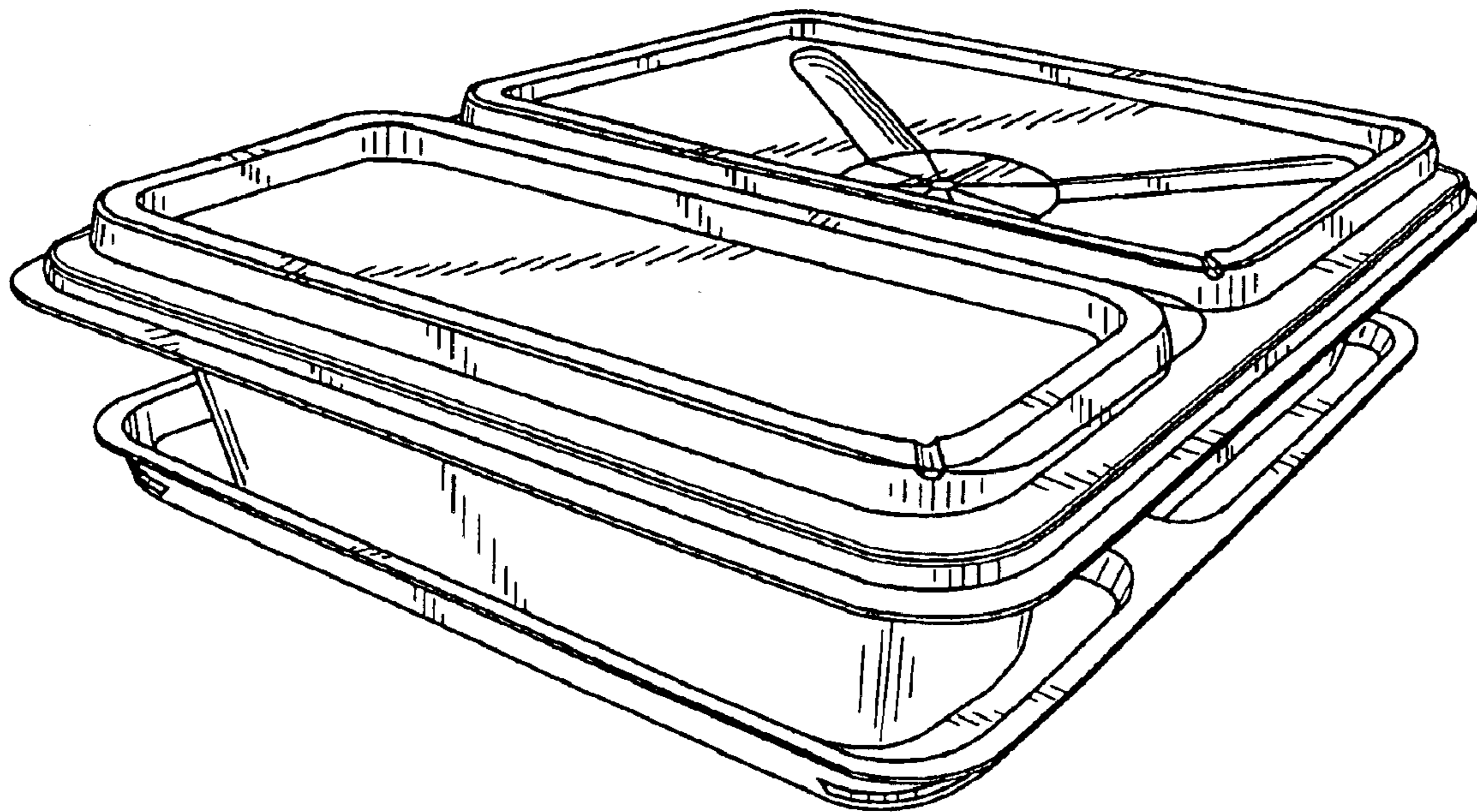


Fig. 7

UNITED STATES PATENT AND TRADEMARK OFFICE
CERTIFICATE OF CORRECTION

PATENT NO. : Des. 502,993 S
APPLICATION NO. : 29/153624
DATED : March 15, 2005
INVENTOR(S) : Greg McArthur, Fred P. Lampropoulos and Arlin D. Nelson

Page 1 of 1

It is certified that error appears in the above-identified patent and that said Letters Patent is hereby corrected as shown below:

On the title page:

In the section (57) **CLAIM:**

change "The ornamental design for a waste collection container, as shown and described." to
-- The ornamental design for a waste collection container as shown and described.--

In the section (57) **DESCRIPTION:**

change "FIG. 6 is a left perspective view of the waste collection container; and," to
-- FIG. 6 is a left perspective view of the waste collection container; and--

Signed and Sealed this

Twenty-ninth Day of May, 2007

A handwritten signature in black ink on a light gray dotted background. The signature reads "Jon W. Dudas" in a cursive, stylized font.

JON W. DUDAS

Director of the United States Patent and Trademark Office