

US00D502988S

(12) **United States Design Patent**
Wu

(10) **Patent No.:** **US D502,988 S**
(45) **Date of Patent:** **** Mar. 15, 2005**

(54) **SHOWER HEAD**

D497,196 S * 10/2004 Wu et al. D23/229

(76) **Inventor:** **James Wu**, No. 1, Alley 16, Lane 40,
Tinn Te Road, Taichung (TW)

* cited by examiner

Primary Examiner—Robin V. Taylor

(**) **Term:** **14 Years**

(57) **CLAIM**

(21) **Appl. No.:** **29/196,352**

The ornamental design for a shower head, as shown and described.

(22) **Filed:** **Dec. 29, 2003**

DESCRIPTION

(51) **LOC (7) Cl.** **23-01**

(52) **U.S. Cl.** **D23/229**

(58) **Field of Search** D23/213, 223,
D23/229, 230; 239/282, 283

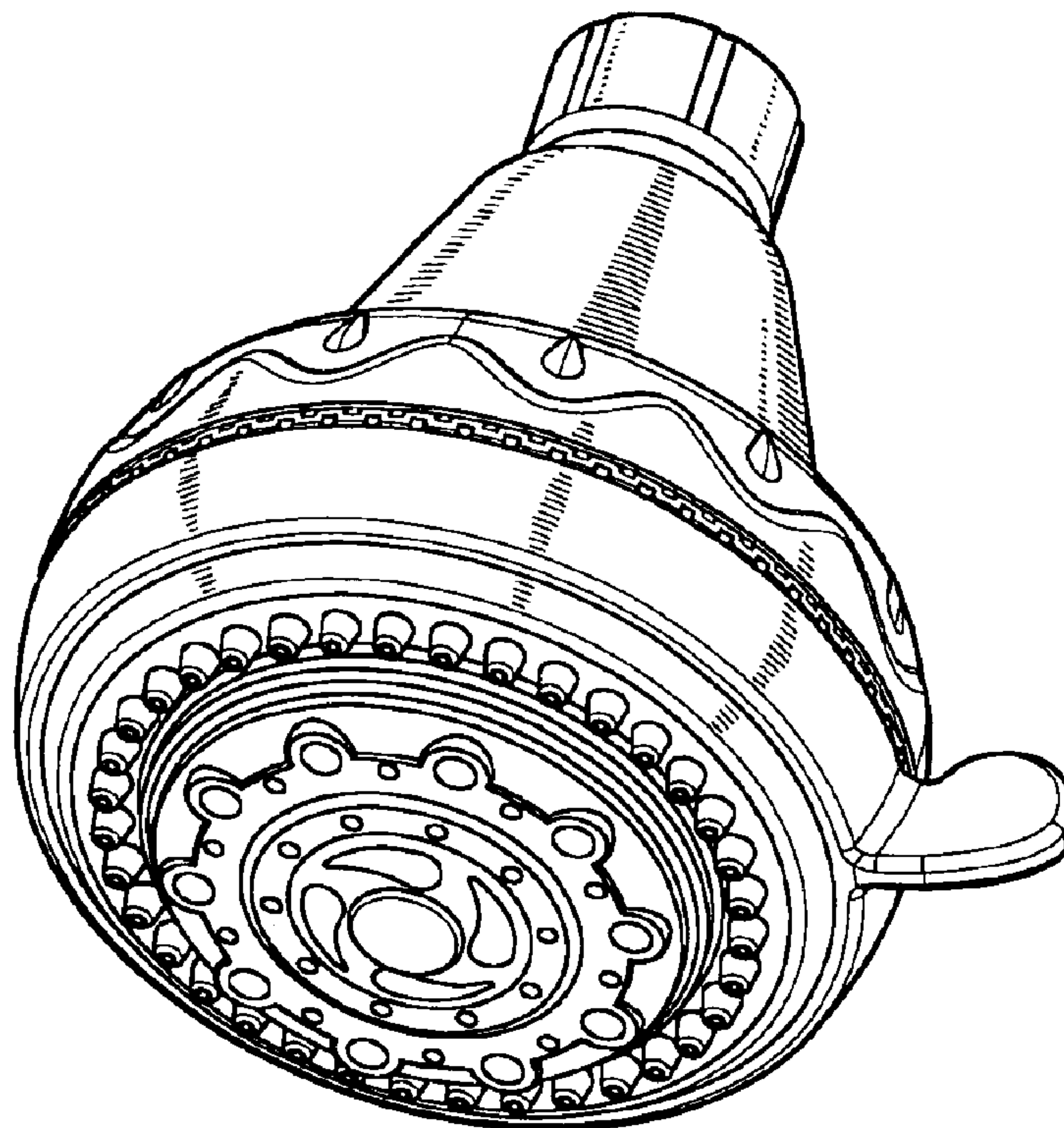
FIG. 1 is a front-right-top perspective view of a shower head, showing my new design;
FIG. 2 is a front elevational view thereof;
FIG. 3 is a rear elevational view thereof;
FIG. 4 is a left side elevational view thereof;
FIG. 5 is a right side elevational view thereof;
FIG. 6 is a top plan view thereof; and,
FIG. 7 is a bottom plan view thereof.

(56) **References Cited**

U.S. PATENT DOCUMENTS

- D405,504 S * 2/1999 Huen D23/229
- D426,869 S * 6/2000 Chan D23/229
- D450,807 S * 11/2001 Lindholm et al. D23/229

1 Claim, 7 Drawing Sheets



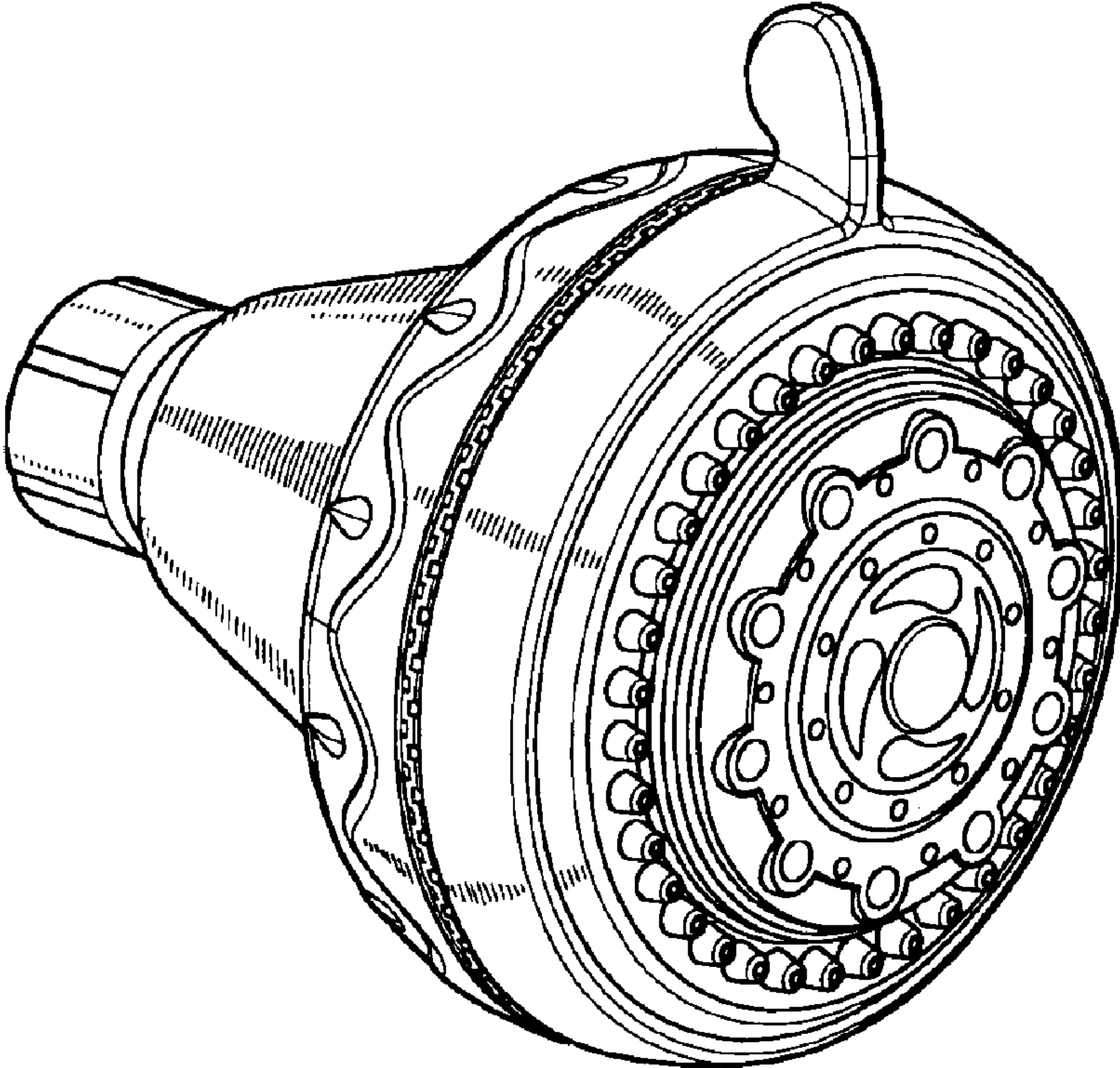


FIG.1

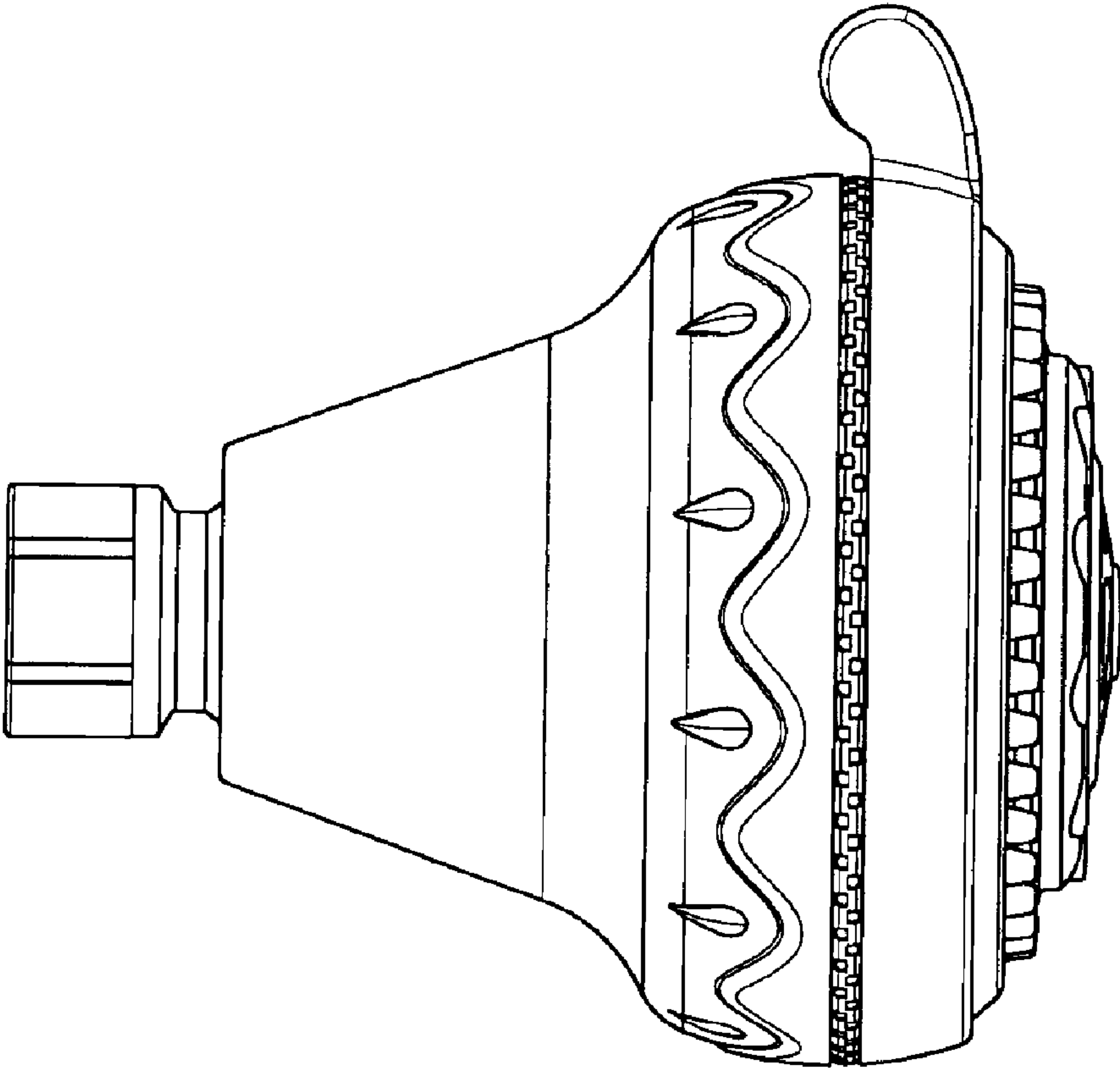


FIG.2

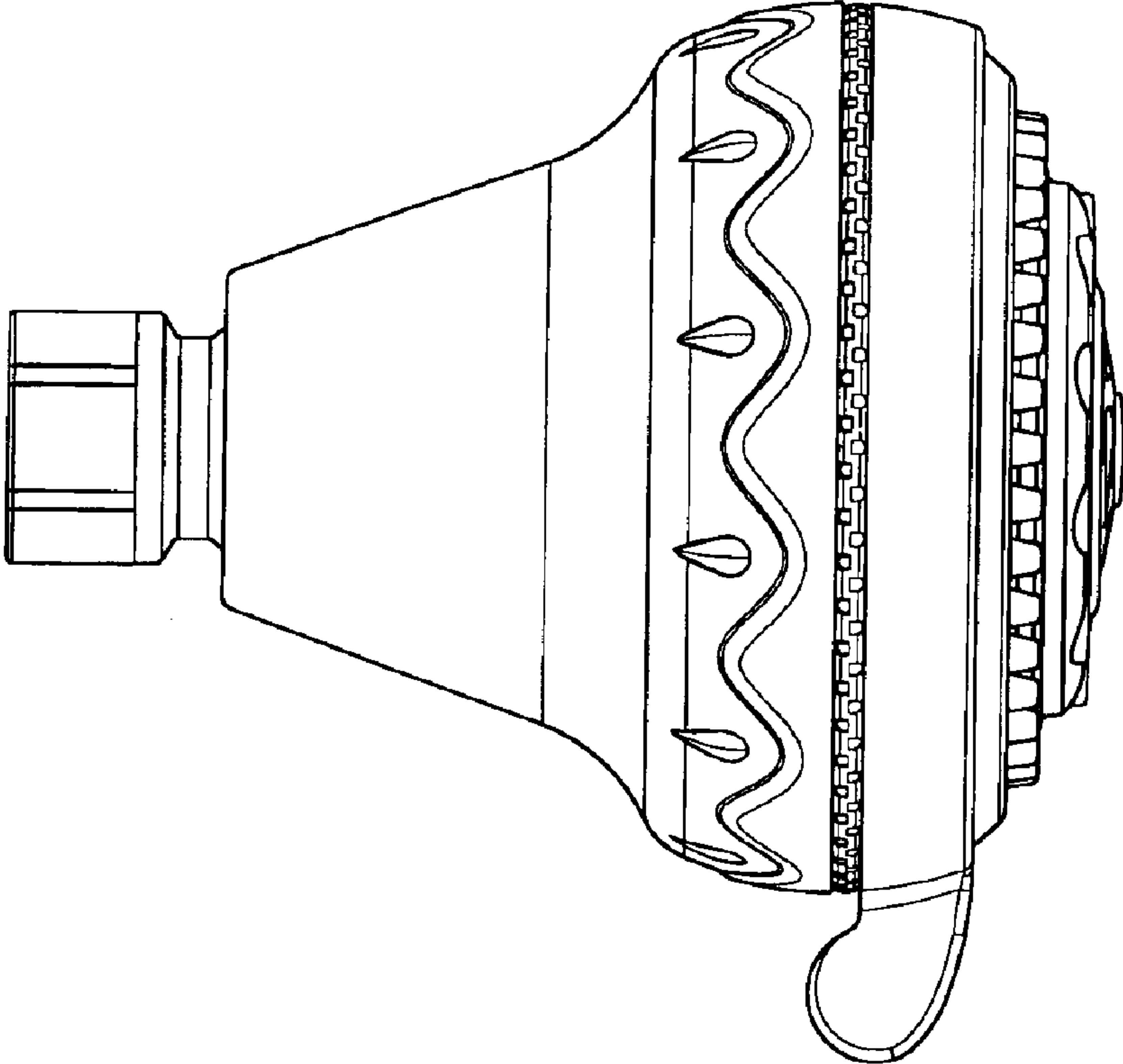


FIG.3

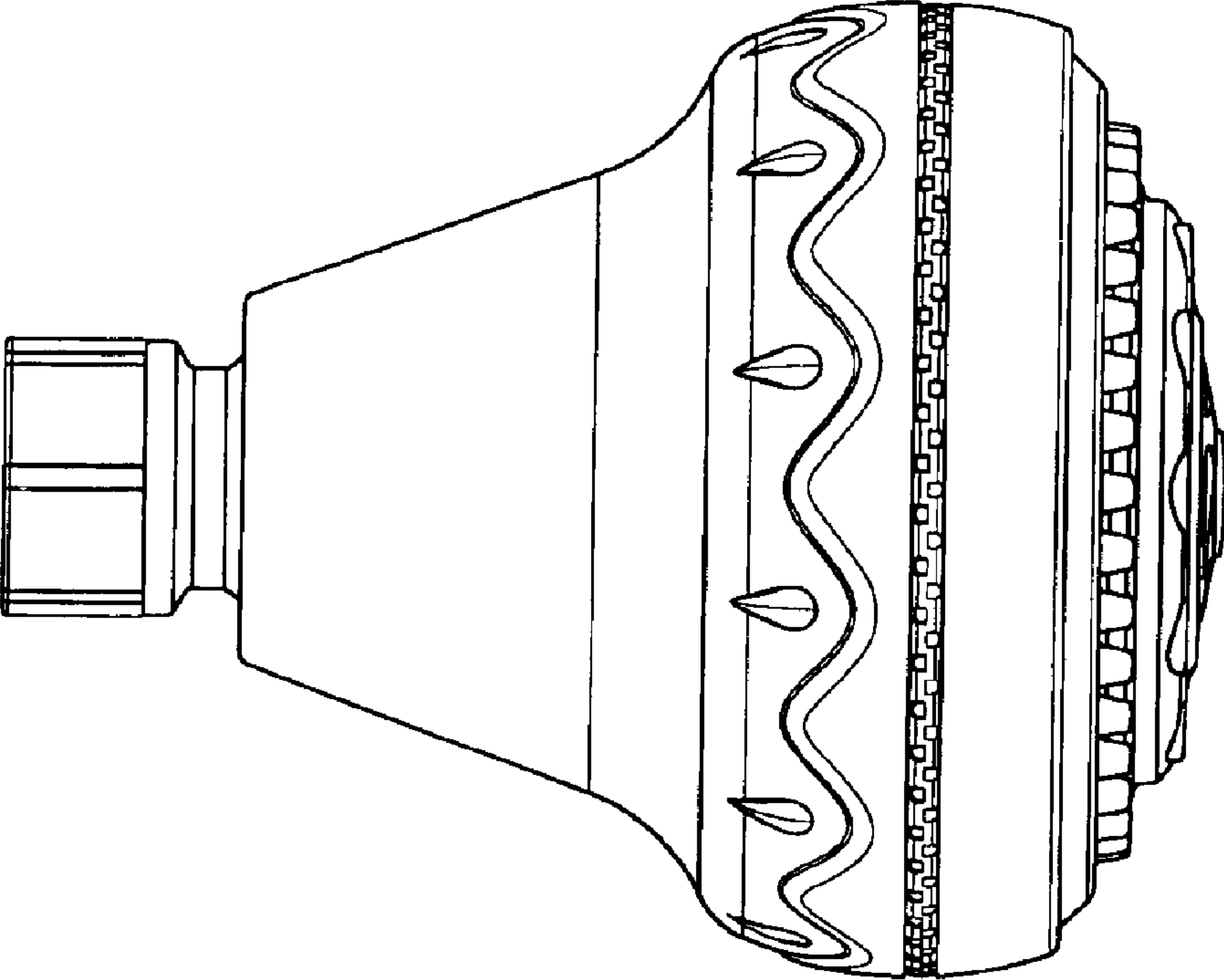


FIG.4

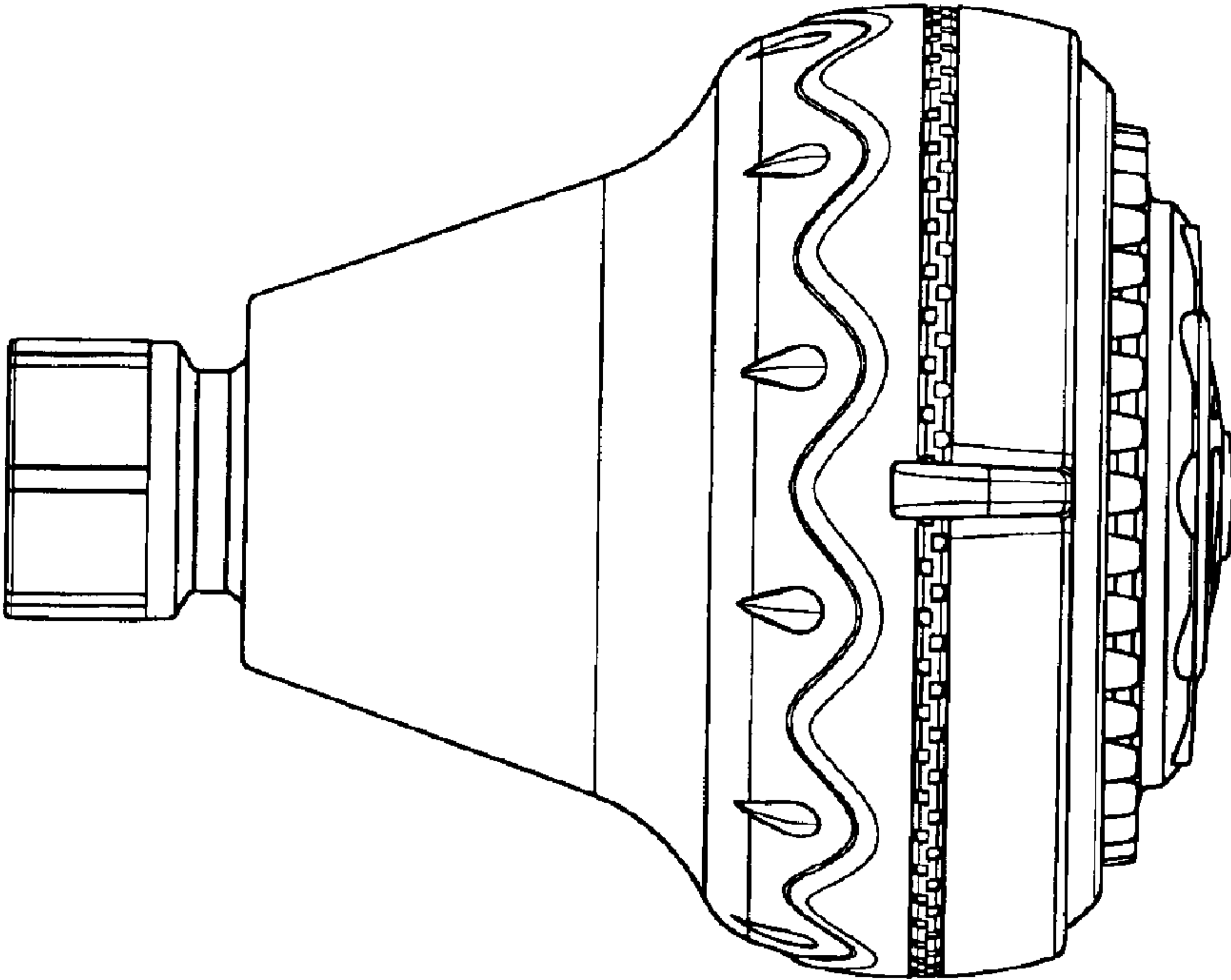


FIG.5

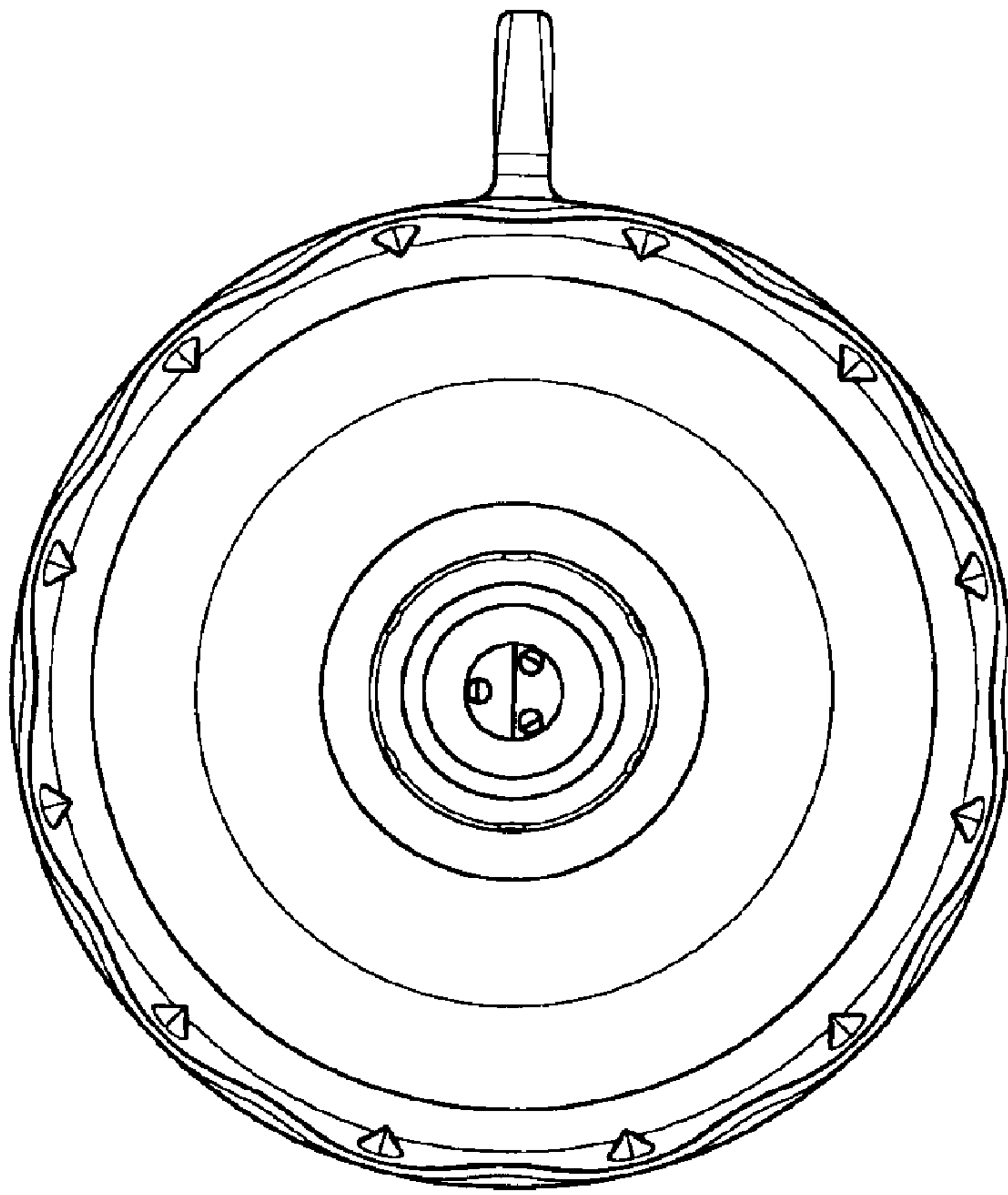


FIG.6

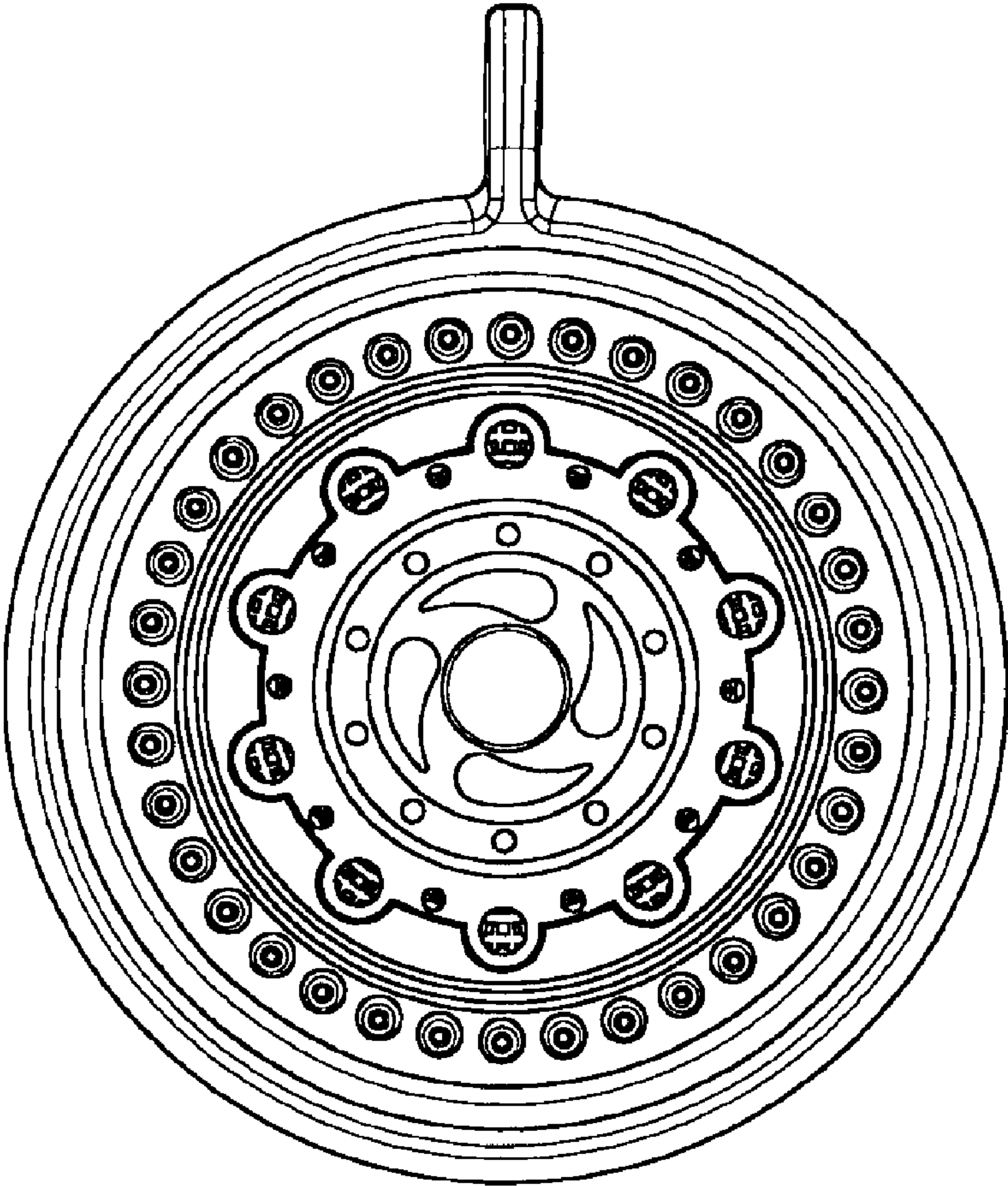


FIG.7