



US00D502986S

(12) **United States Design Patent**
Bandlamuri et al.

(10) **Patent No.:** **US D502,986 S**
(45) **Date of Patent:** **** Mar. 15, 2005**

(54) **HOLD-UP TOOL FOR POP-UP SPRINKLER RISERS**

(75) Inventors: **Ravi K. Bandlamuri**, Tucson, AZ (US); **Derek M. Nations**, Tucson, AZ (US)

(73) Assignee: **Rain Bird Corporation**, Glendora, CA (US)

(**) Term: **14 Years**

(21) Appl. No.: **29/195,645**

(22) Filed: **Dec. 12, 2003**

(51) **LOC (7) Cl.** **23-01**

(52) **U.S. Cl.** **D23/214; D23/217; D23/218**

(58) **Field of Search** **D23/213, 214, D23/217, 218; 239/1, 203, 204, 288, 288.3**

(56) **References Cited**

U.S. PATENT DOCUMENTS

| | | | | | |
|--------------|---|---------|---------------|-------|---------|
| D296,465 S | * | 6/1988 | Mendoza | | D23/214 |
| 6,234,411 B1 | * | 5/2001 | Walker et al. | | 239/289 |
| 6,575,380 B2 | * | 6/2003 | Corbett | | 239/1 |
| 6,648,241 B1 | * | 11/2003 | Doshay | | 239/203 |
| 6,651,904 B2 | * | 11/2003 | Roman | | 239/204 |

* cited by examiner

Primary Examiner—Robin V. Taylor
(74) *Attorney, Agent, or Firm*—Fitch, Even, Tabin & Flannery

(57) **CLAIM**

The ornamental design for a hold-up tool for pop-up sprinkler risers, as shown and described.

DESCRIPTION

FIG. 1 is a top, right and front perspective view of a hold-up tool for pop-up sprinkler risers showing my new design, and including a broken line representation of the hold-up tool when in use holding up a pop-up sprinkler riser;

FIG. 2 is a top, right and front perspective view of the hold-up tool of FIG. 1 as seen without the broken like representation of the pop-up sprinkler;

FIG. 3 is a rear elevational view of the hold-up tool of FIG. 2;

FIG. 4 is a front elevational view thereof;

FIG. 5 is a right side elevational view thereof;

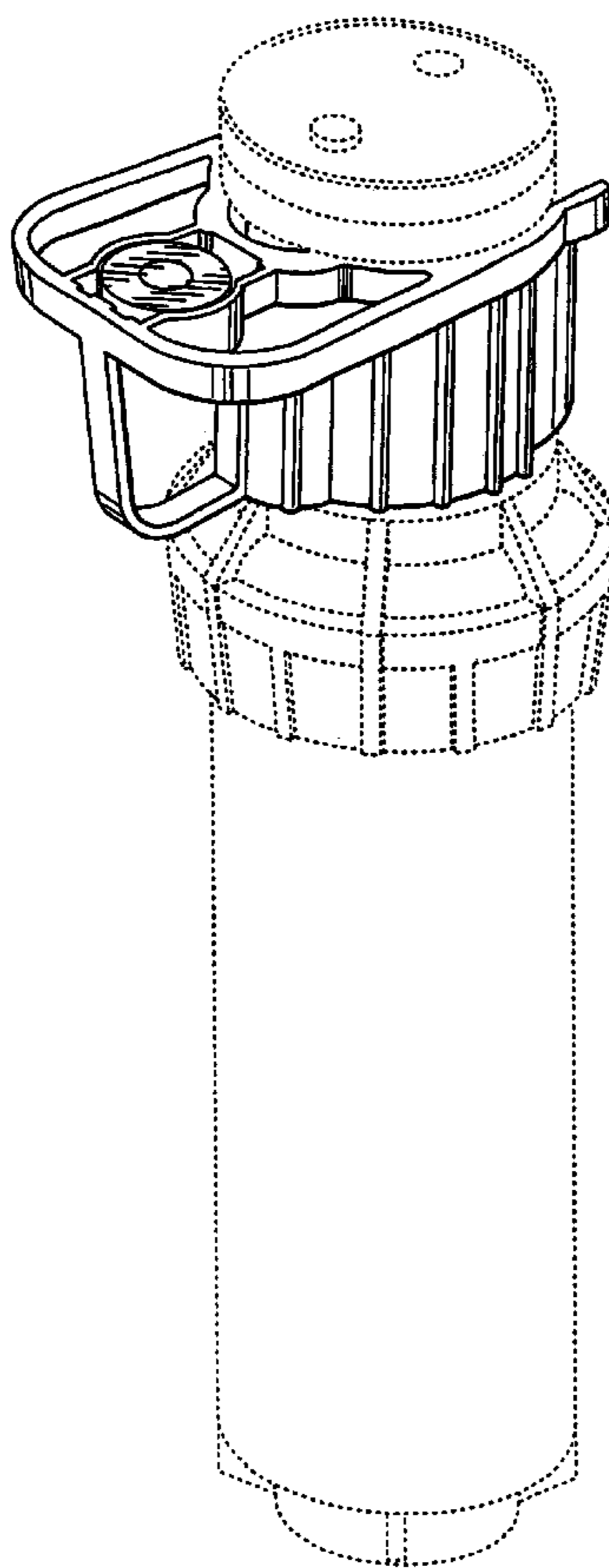
FIG. 6 is a left side elevational view thereof;

FIG. 7 is a top plan view thereof; and,

FIG. 8 is a bottom plan view thereof.

The broken line showing is for illustrative purposes only and forms no part of the claimed design.

1 Claim, 3 Drawing Sheets



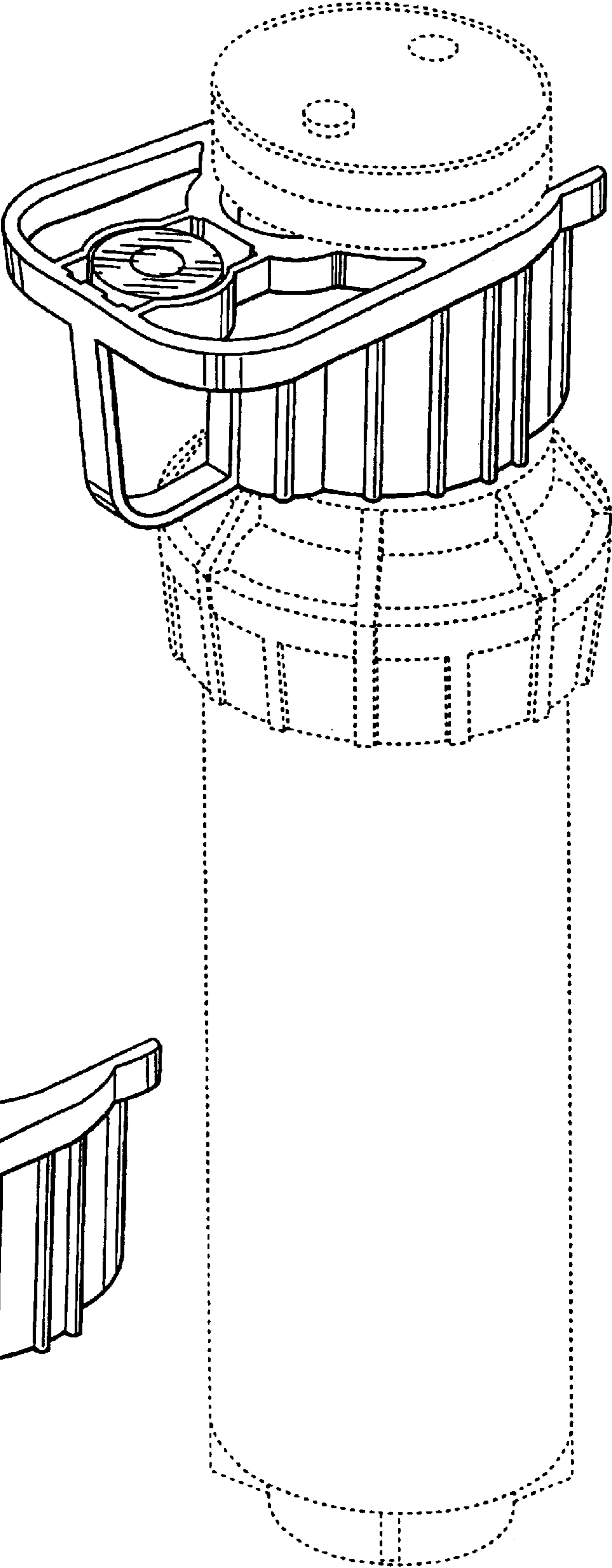


FIG. 1

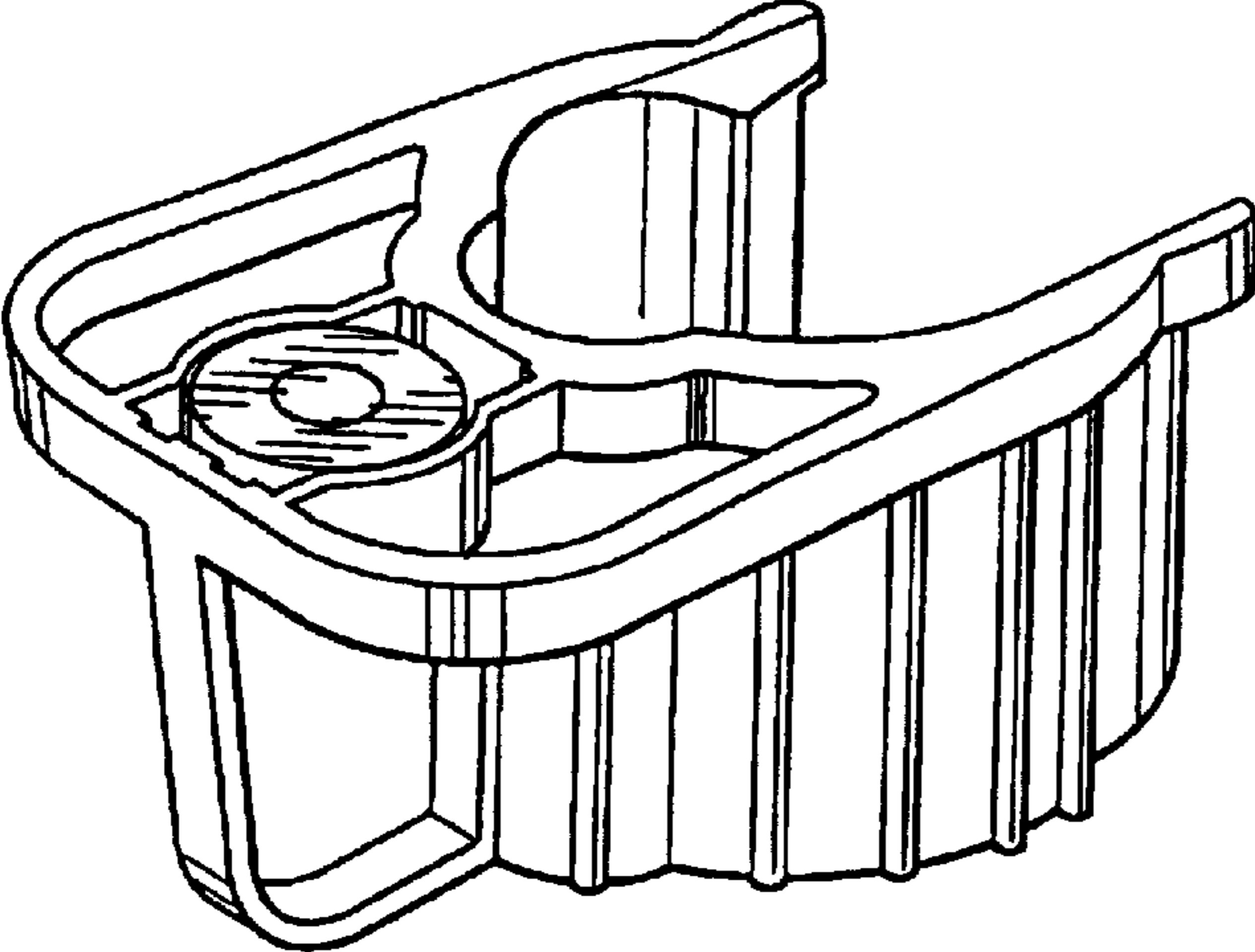


FIG. 2

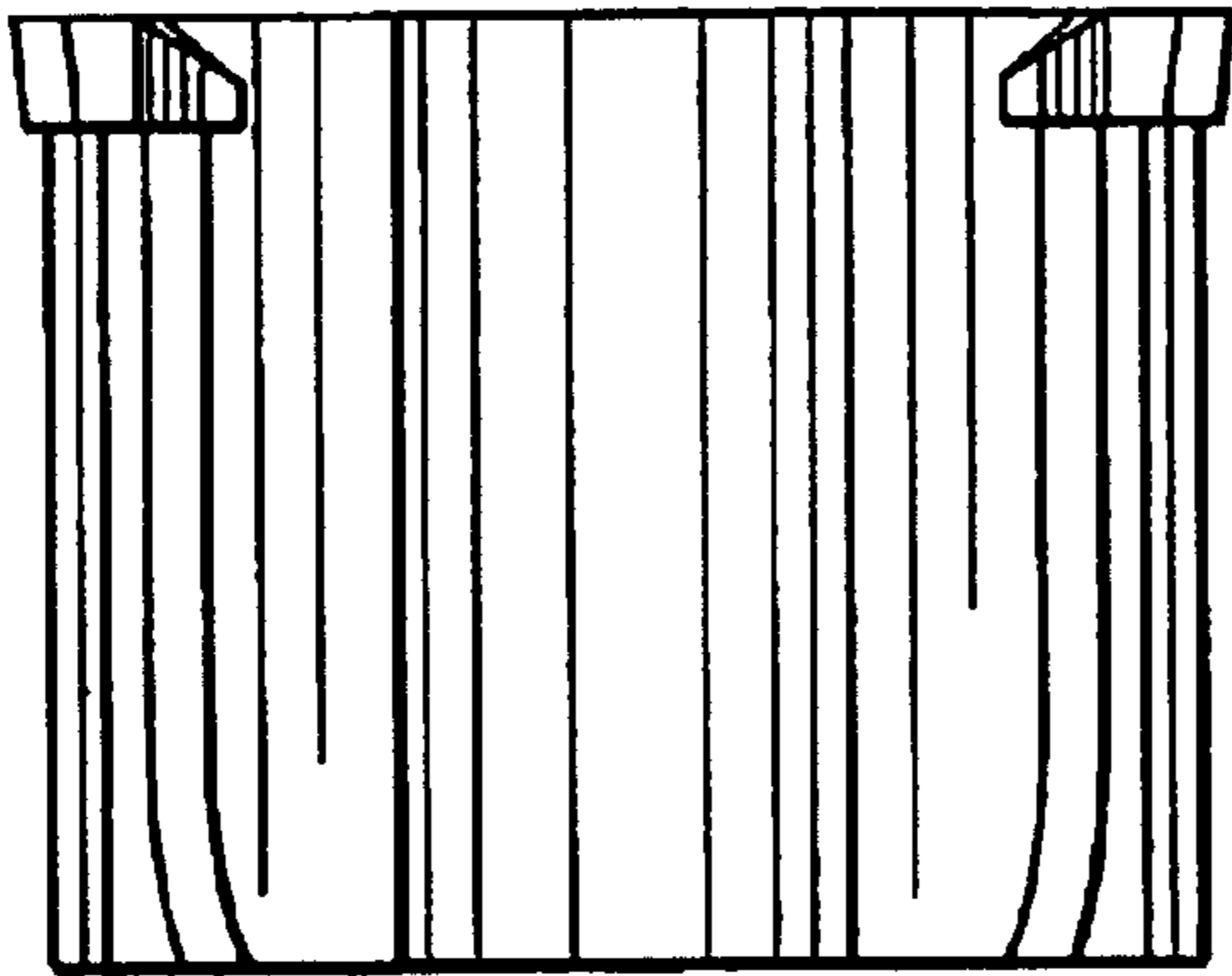


FIG. 3

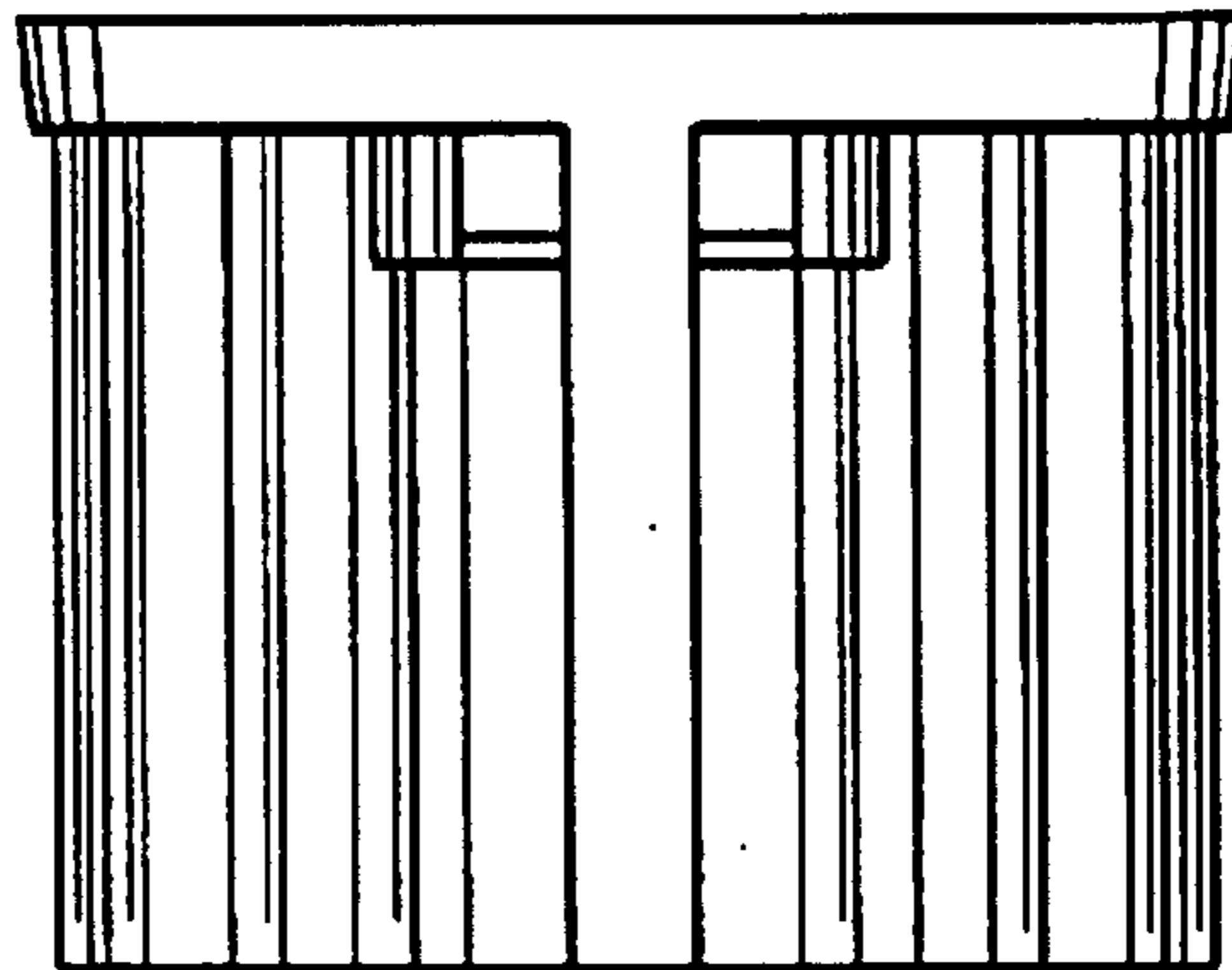


FIG. 4

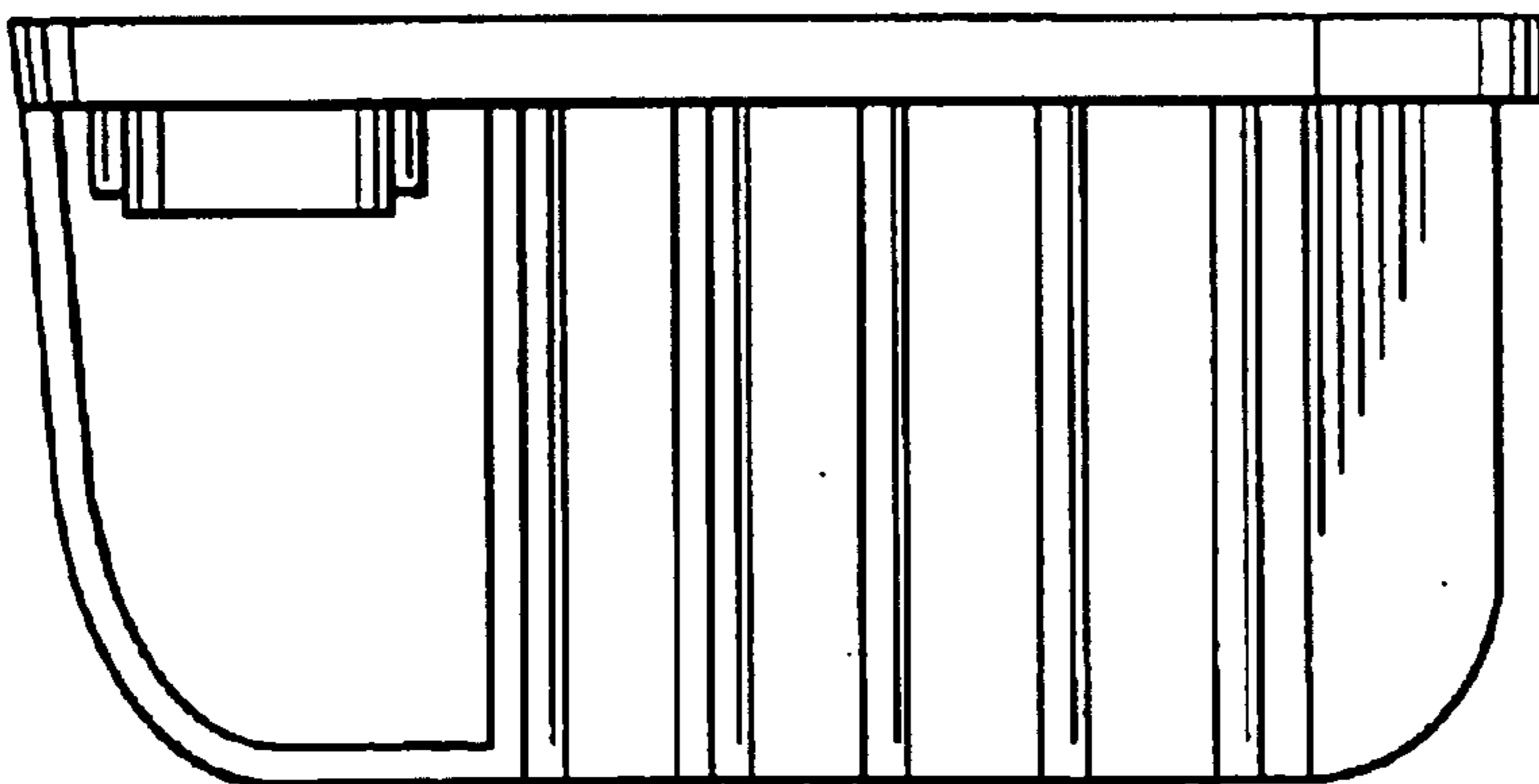


FIG. 5

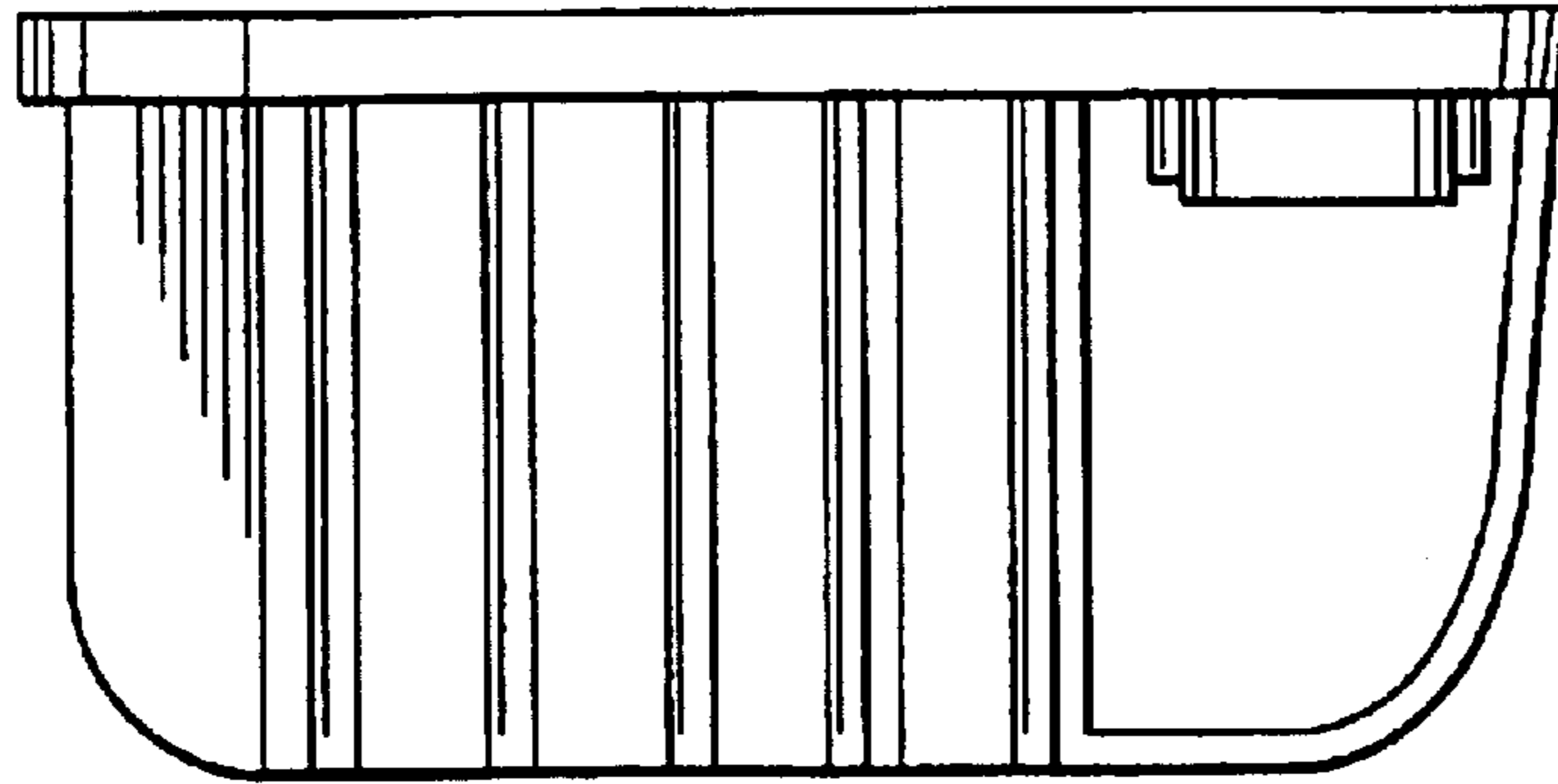


FIG. 6

FIG. 7

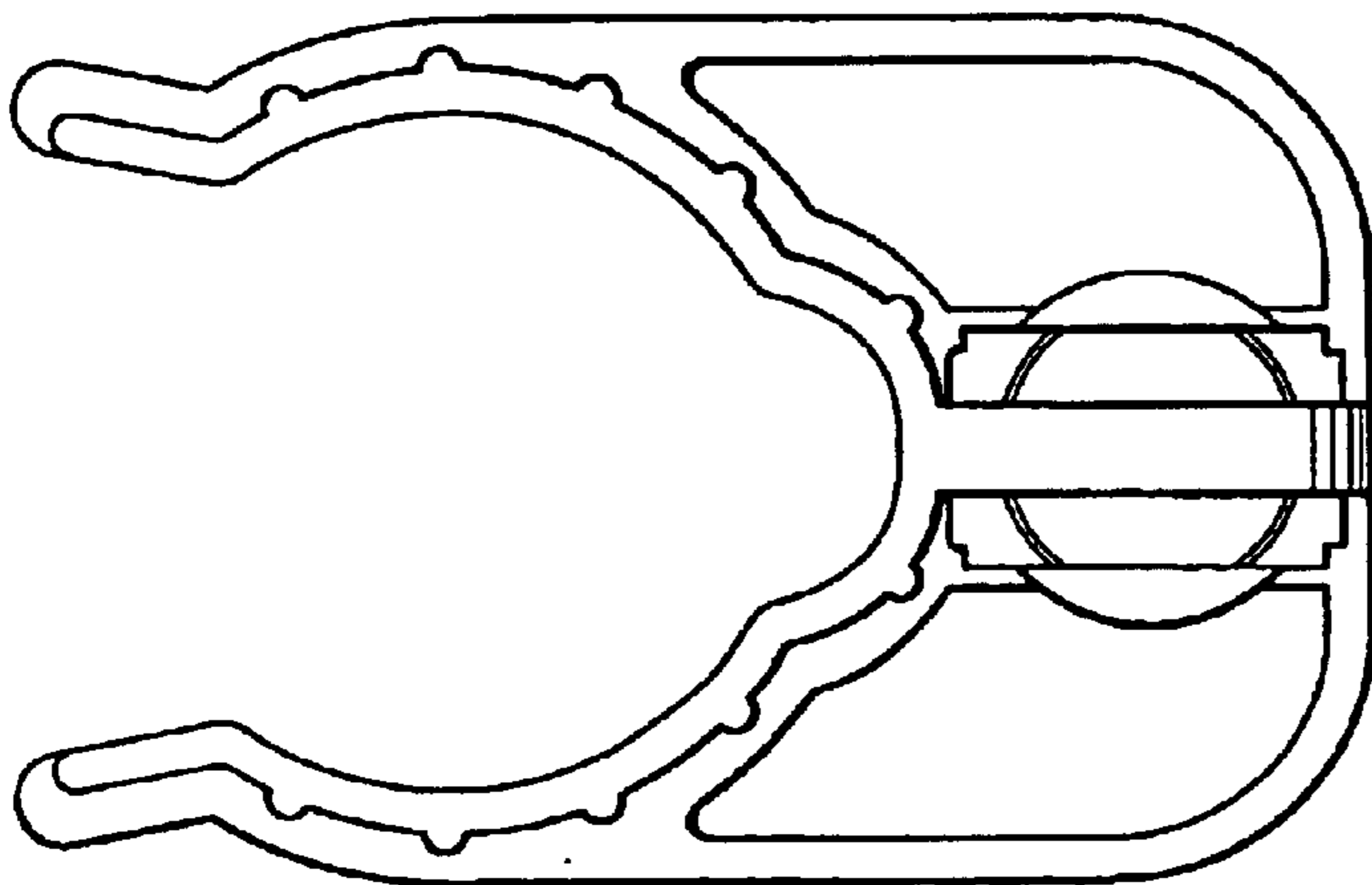
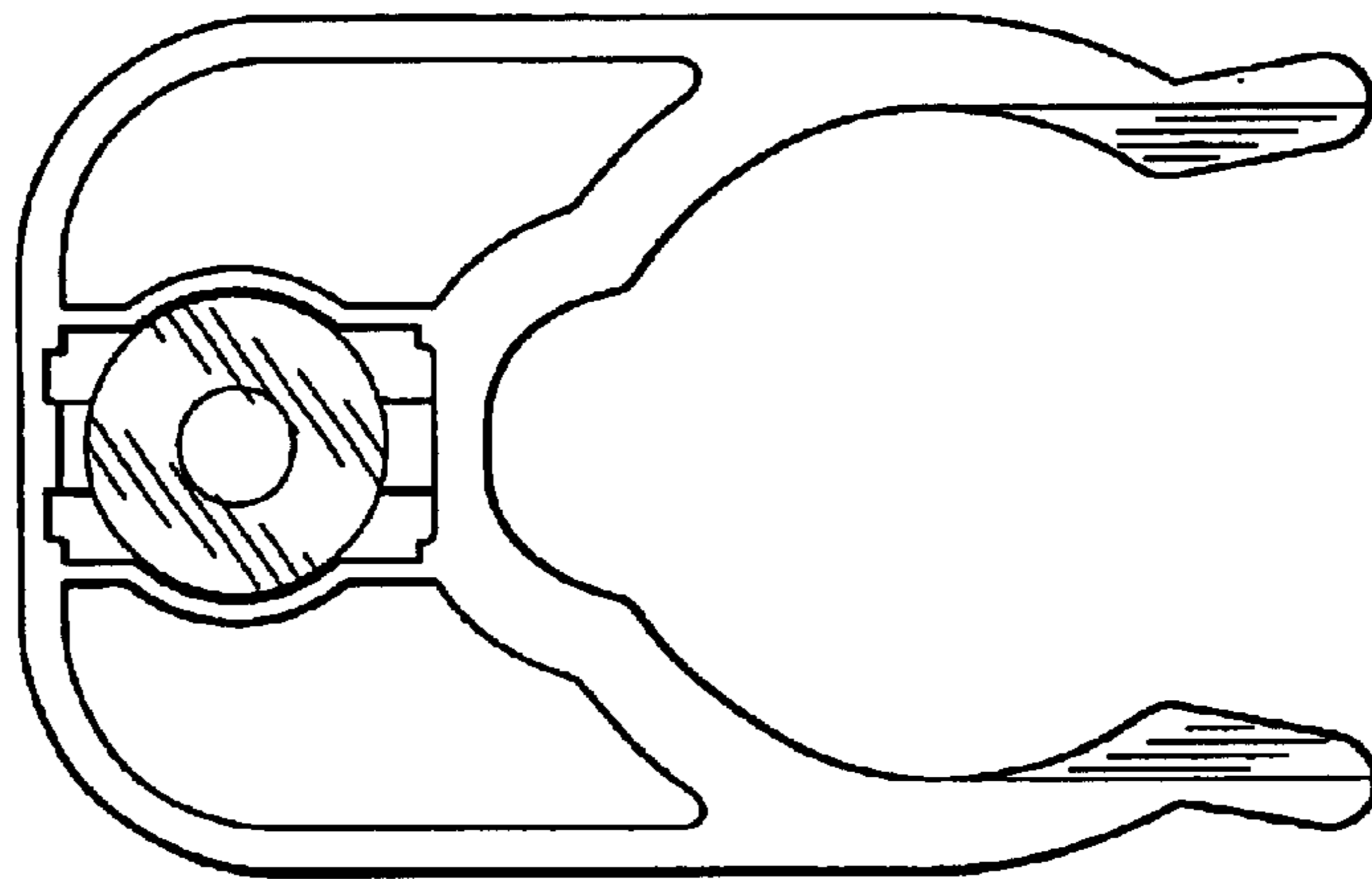


FIG. 8