

US00D502983S

(12) **United States Design Patent**
Mitjans

(10) **Patent No.:** **US D502,983 S**

(45) **Date of Patent:** **** Mar. 15, 2005**

(54) **WATER FOUNTAIN**

(76) **Inventor:** **Carmen G. Mitjans**, 8801 South West
36 St., Miami, FL (US) 33165

(**) **Term:** **14 Years**

(21) **Appl. No.:** **29/195,538**

(22) **Filed:** **Dec. 15, 2003**

(51) **LOC (7) Cl.** **23-01**

(52) **U.S. Cl.** **D23/201**

(58) **Field of Search** D23/201, 266;
239/17, 18, 20, 21

(56) **References Cited**

U.S. PATENT DOCUMENTS

5,718,379 A *	2/1998	Cramer	239/17
5,918,809 A *	7/1999	Simmons	239/17
6,161,771 A *	12/2000	Henry	239/17
6,659,368 B2 *	12/2003	Capps	239/310

* cited by examiner

Primary Examiner—Robin V. Taylor

(74) *Attorney, Agent, or Firm*—Albert Bordas; Jesus Sanchelima

(57) **CLAIM**

The ornamental design for the water fountain, as shown and described.

DESCRIPTION

FIG. 1 is a front perspective view showing my new water fountain design;

FIG. 2 is a front elevational view thereof;

FIG. 3 is a left side elevational view thereof;

FIG. 4 is a right side elevational view thereof;

FIG. 5 is a back elevational view thereof;

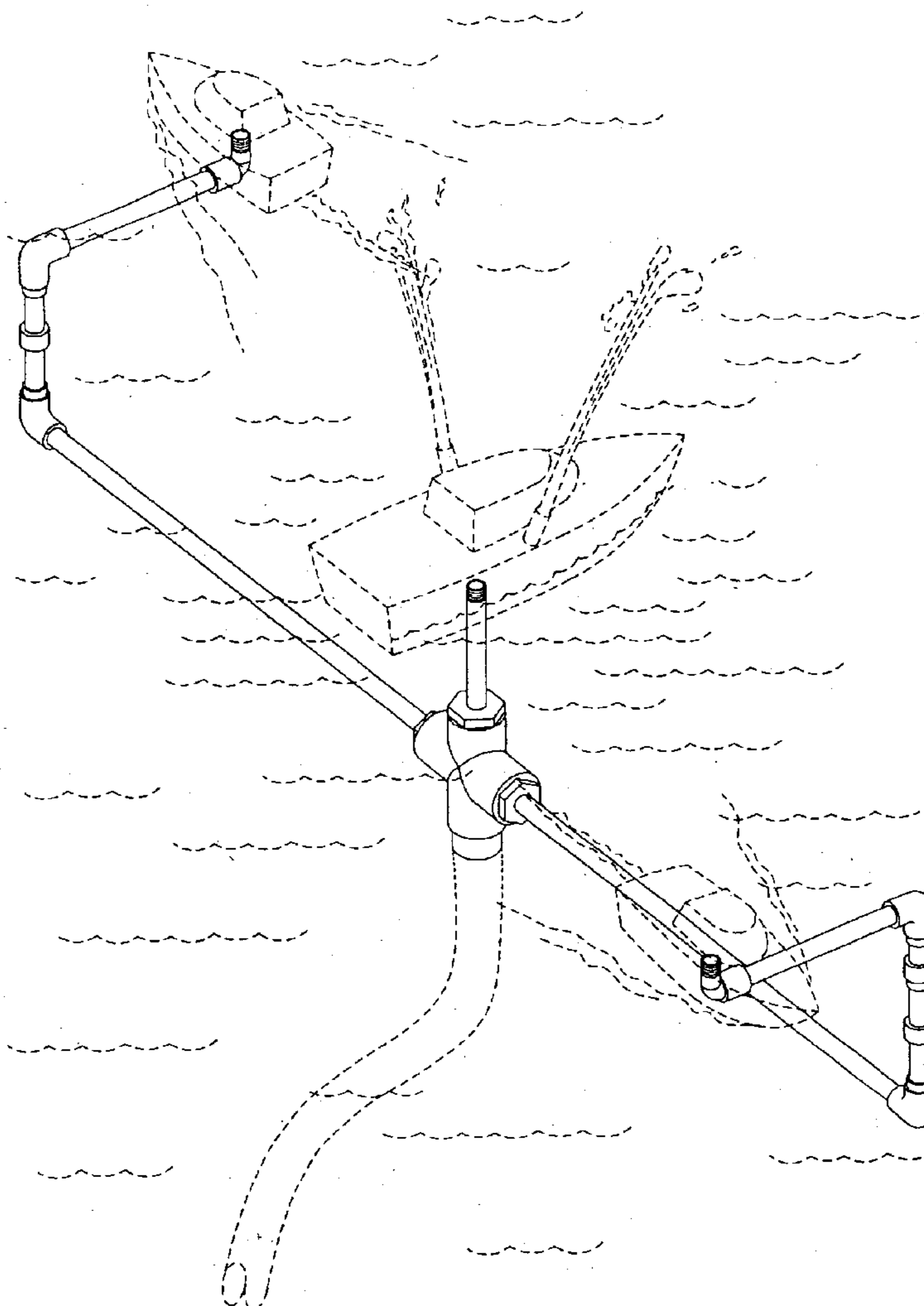
FIG. 6 is a top plan view thereof;

FIG. 7 is a bottom plan thereof; and,

FIG. 8 is front perspective view of my invention connected to a water supply hose in water, with ornamental boats mounted thereon.

The broken lines are for environmental purposes only and form no part of the claimed design.

1 Claim, 4 Drawing Sheets



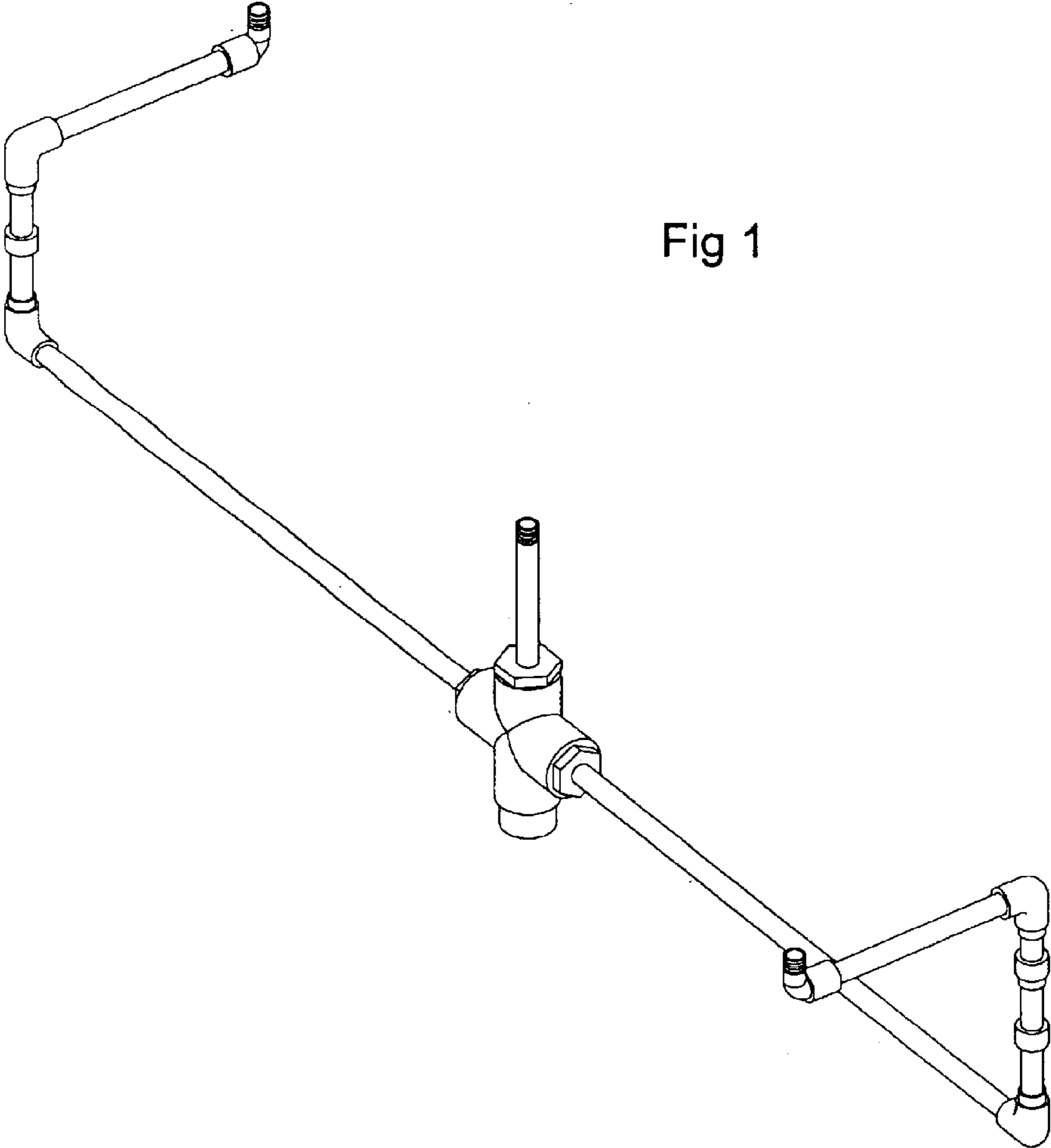
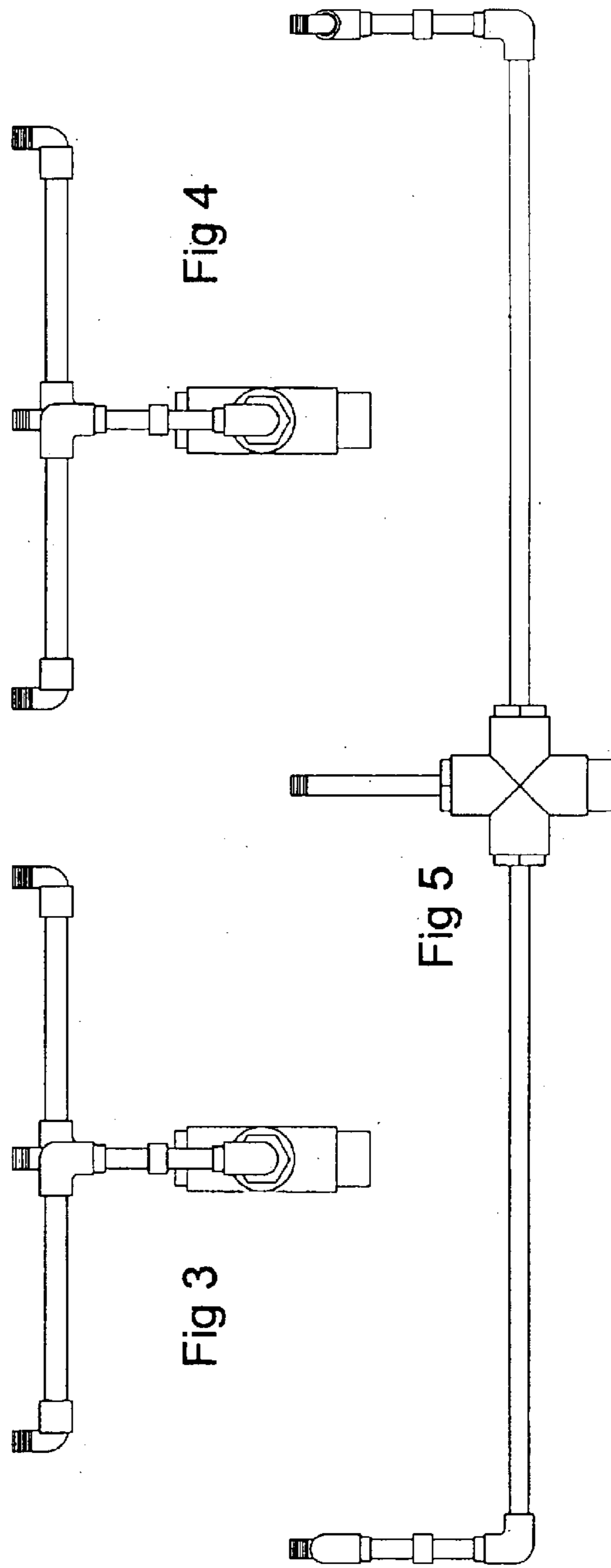
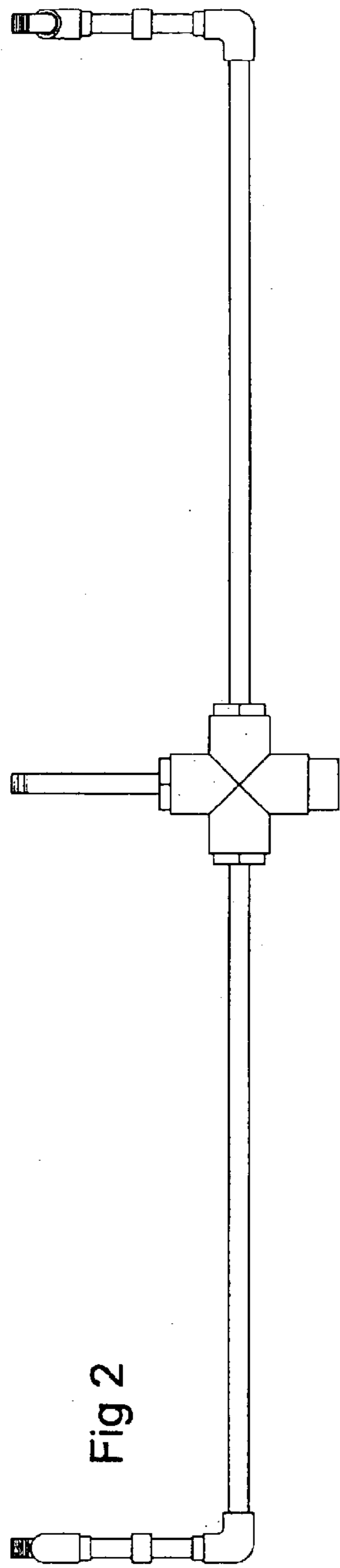


Fig 1



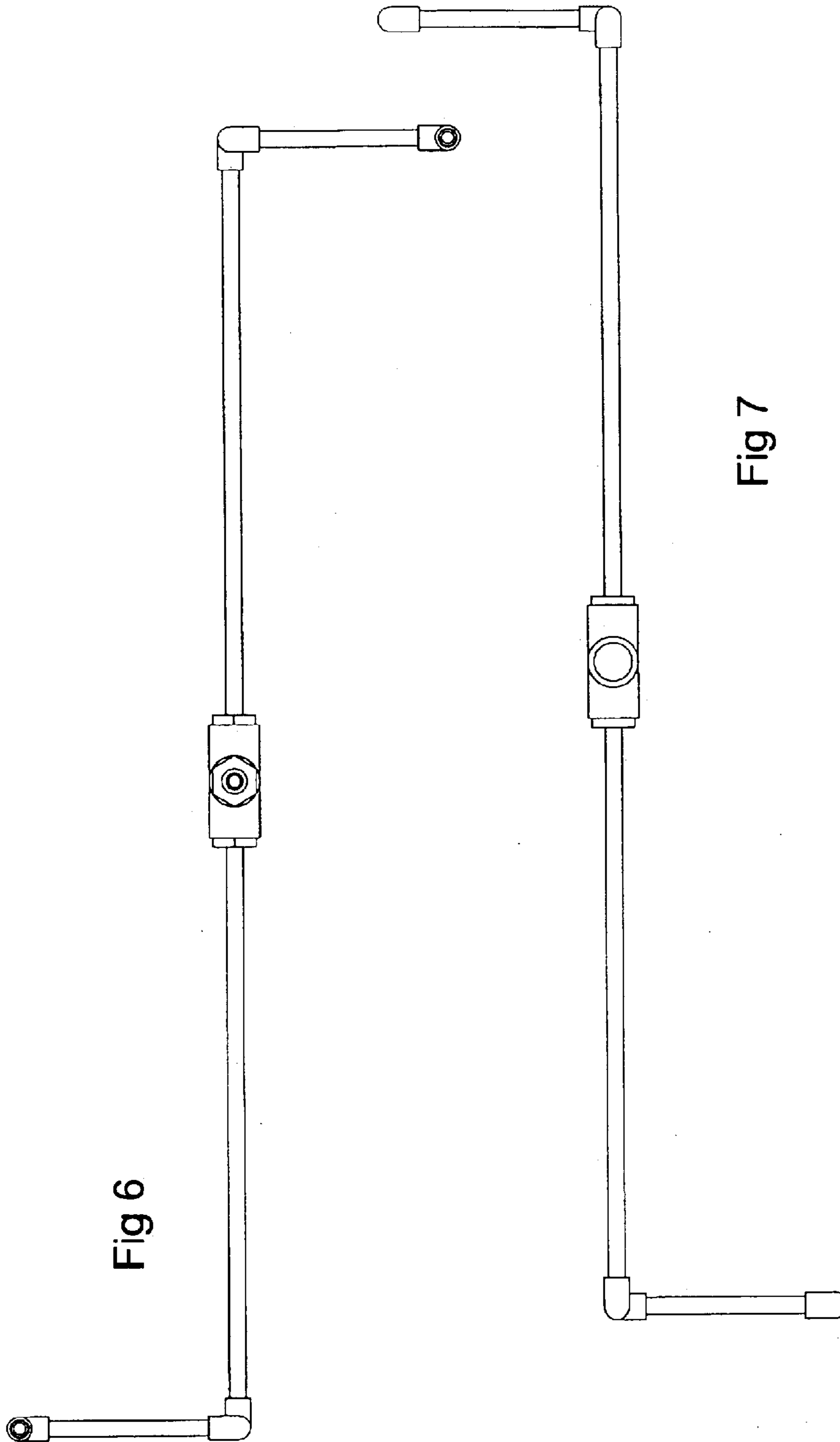


Fig 6

Fig 7

