

US00D502982S

(12) **United States Design Patent** (10) **Patent No.:** **US D502,982 S**
Atemboski et al. (45) **Date of Patent:** **** Mar. 15, 2005**

(54) **FIRE AND WATER DISPLAY ASSEMBLY**

OTHER PUBLICATIONS

(75) Inventors: **Alan R. Atemboski**, Renton, WA (US);
Kurt W. F. Rumens, Kirkland, WA
(US); **Homer Lee**, Vancouver (CA)

(73) Assignee: **Travis Industries, Inc.**, Kirkland, WA
(US)

(**) Term: **14 Years**

(21) Appl. No.: **29/179,525**

(22) Filed: **Apr. 9, 2003**

(51) **LOC (7) Cl.** **23-01**

(52) **U.S. Cl.** **D23/201**

(58) **Field of Search** D23/201; 239/17,
239/18, 20, 21

Kazemi, Nayer, "Water and Fire Fountain I" (1 page)
http://www.sculpturegallery.com/sculpture/water_and_fire_fountain_1.html [Accessed Dec. 7, 2001].

Fountains of WET Design (1 page) <http://www.fountain-s.org/body.html> [Accessed Dec. 7, 2001].

Picture Gallery: 7/ 13, "Water Fountain with Fire in the Top Bowl" (1 page) http://www.colossus.itec.uni-klu.ac.at/~klaus/pix/1_Iowa1998/3_final_tour/12_24_new_orleans_ [Accessed Dec. 7, 2001].

International Search Report for International Application No. PCT/US03/10656, Travis Industries, Inc., Sep. 23, 2003 (7 pages).

* cited by examiner

Primary Examiner—Robin V. Taylor

(74) *Attorney, Agent, or Firm*—Perkins Coie LLP

(56) **References Cited**

(57) **CLAIM**

U.S. PATENT DOCUMENTS

The ornamental design for a fire and water display assembly, as shown and described.

D49,384 S	*	7/1916	Bennett	D11/147
1,837,732 A	*	12/1931	Stabler	239/18
2,974,871 A	*	3/1961	Naythons	239/17
3,038,064 A		6/1962	Gleb		
D206,214 S	*	11/1966	Erbe	D23/201
3,565,337 A		2/1971	Ditto		
3,838,816 A	*	10/1974	Huff et al.	239/18
4,858,826 A		8/1989	Robinson et al.		
5,092,312 A		3/1992	Zolow		

DESCRIPTION

FIG. 1 is a front isometric view of an embodiment of a fire and water display assembly showing our new design.

FIG. 2 is a front elevation view of the fire and water display assembly of FIG. 1. The front elevation view is the same as the back and side elevation views; and,

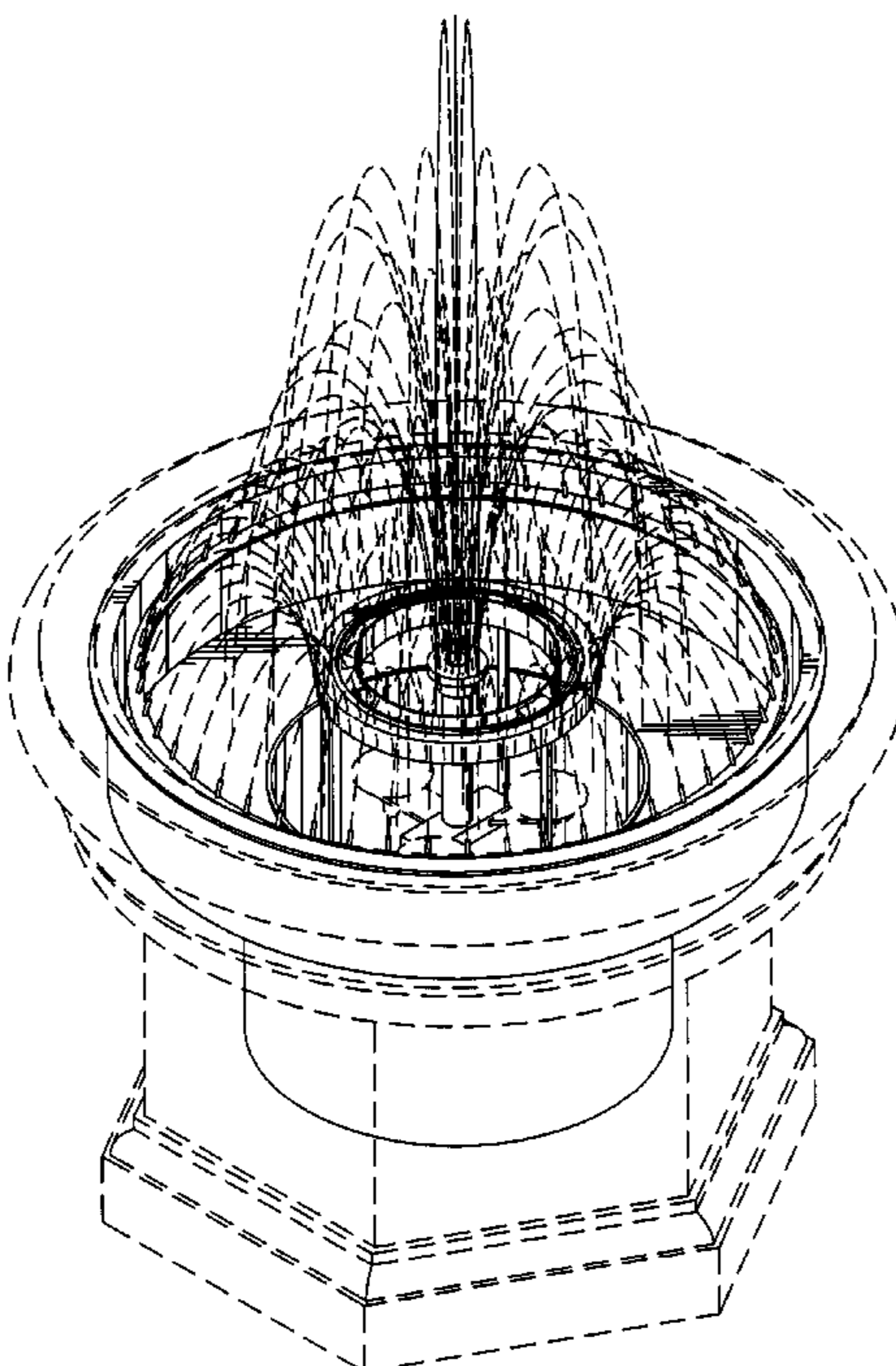
FIG. 3 is a top plan view of the fire and water display assembly of FIG. 1.

Any broken lines in the drawings are for illustrative purposes only and form no part of the claimed design.

FOREIGN PATENT DOCUMENTS

DE	242418	8/1910
EP	0 953 799	11/1999
FR	2662491	11/1991
JP	02098002	4/1990

1 Claim, 3 Drawing Sheets



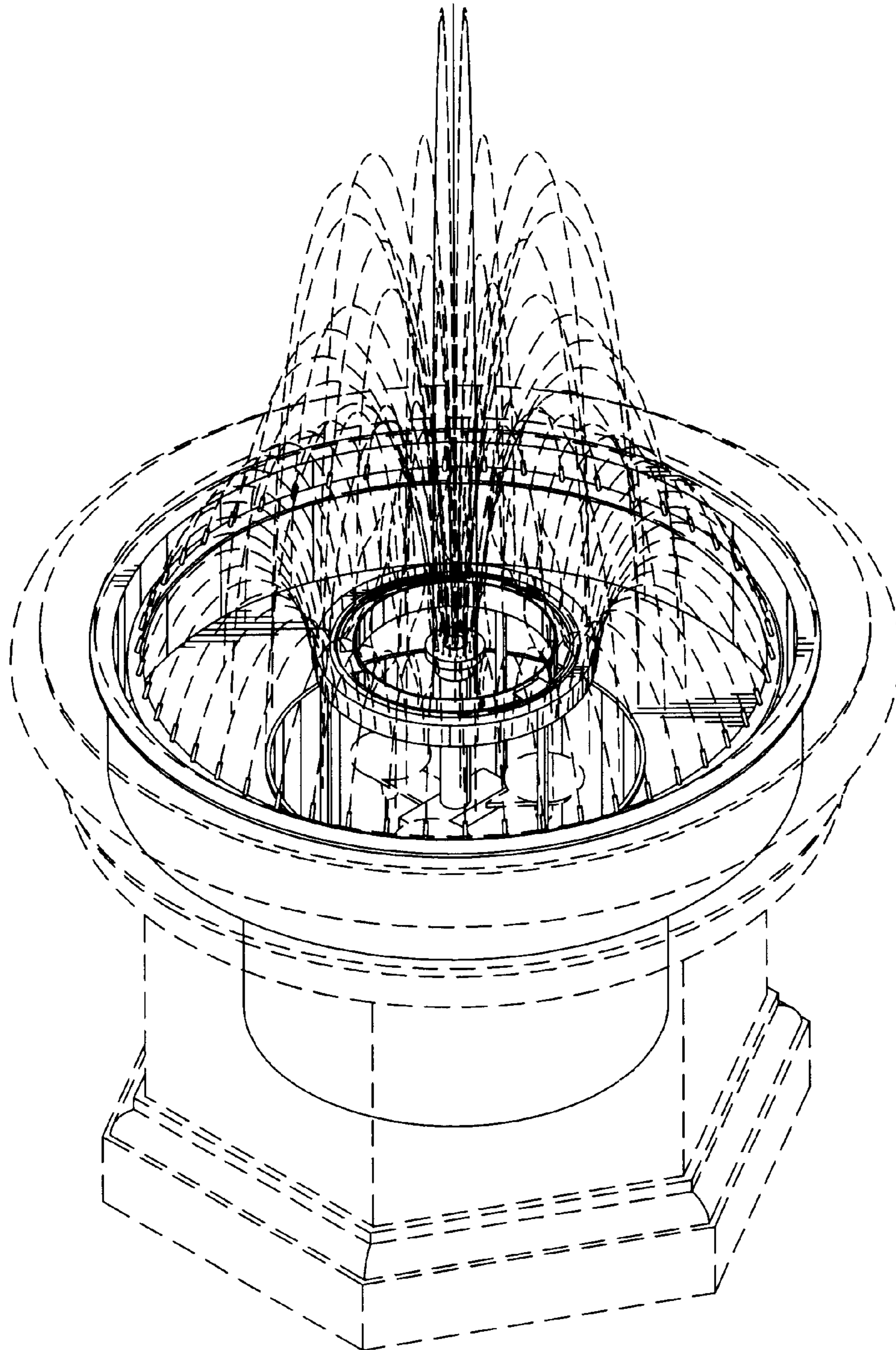


Fig. 1

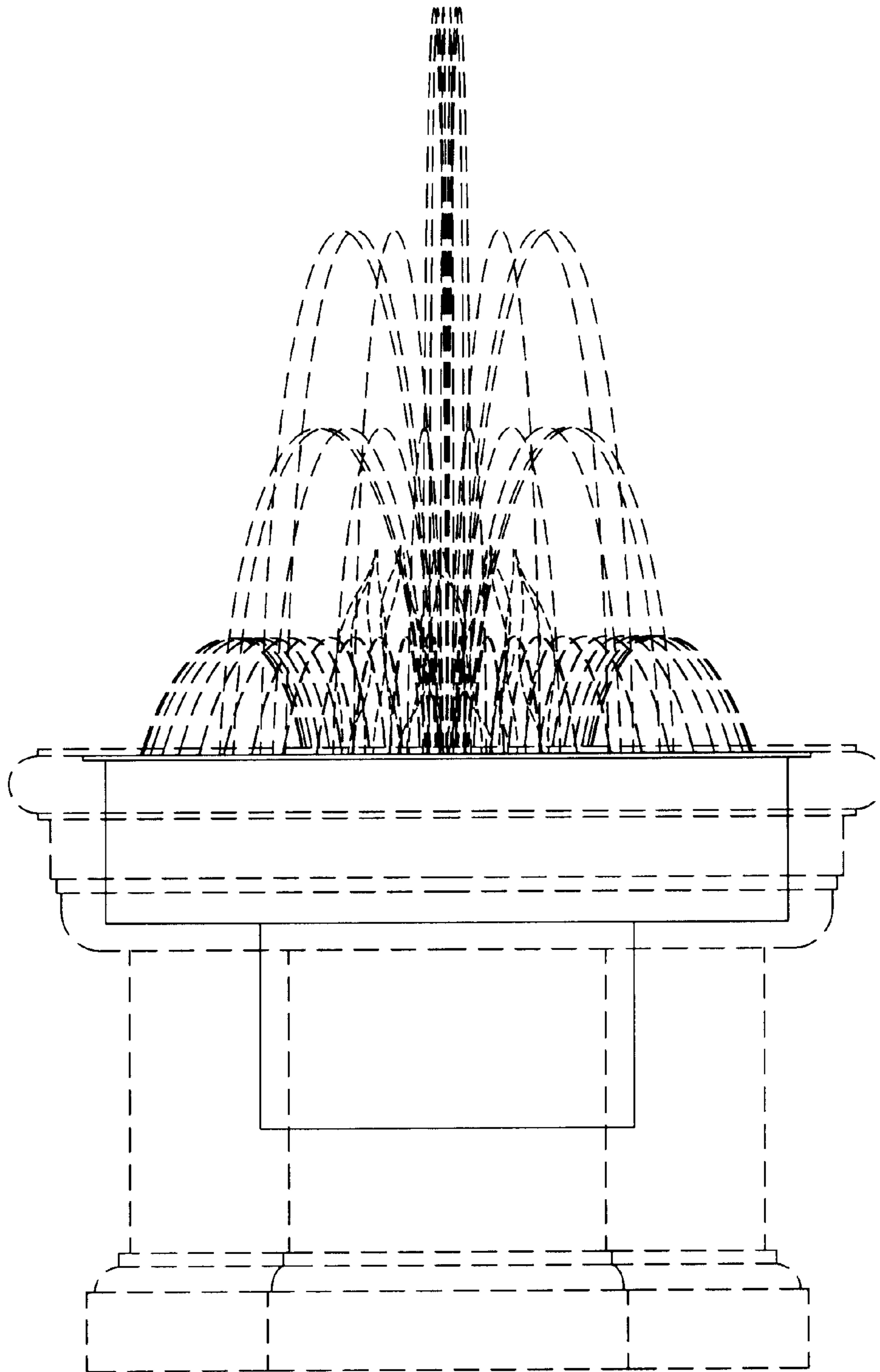


Fig. 2

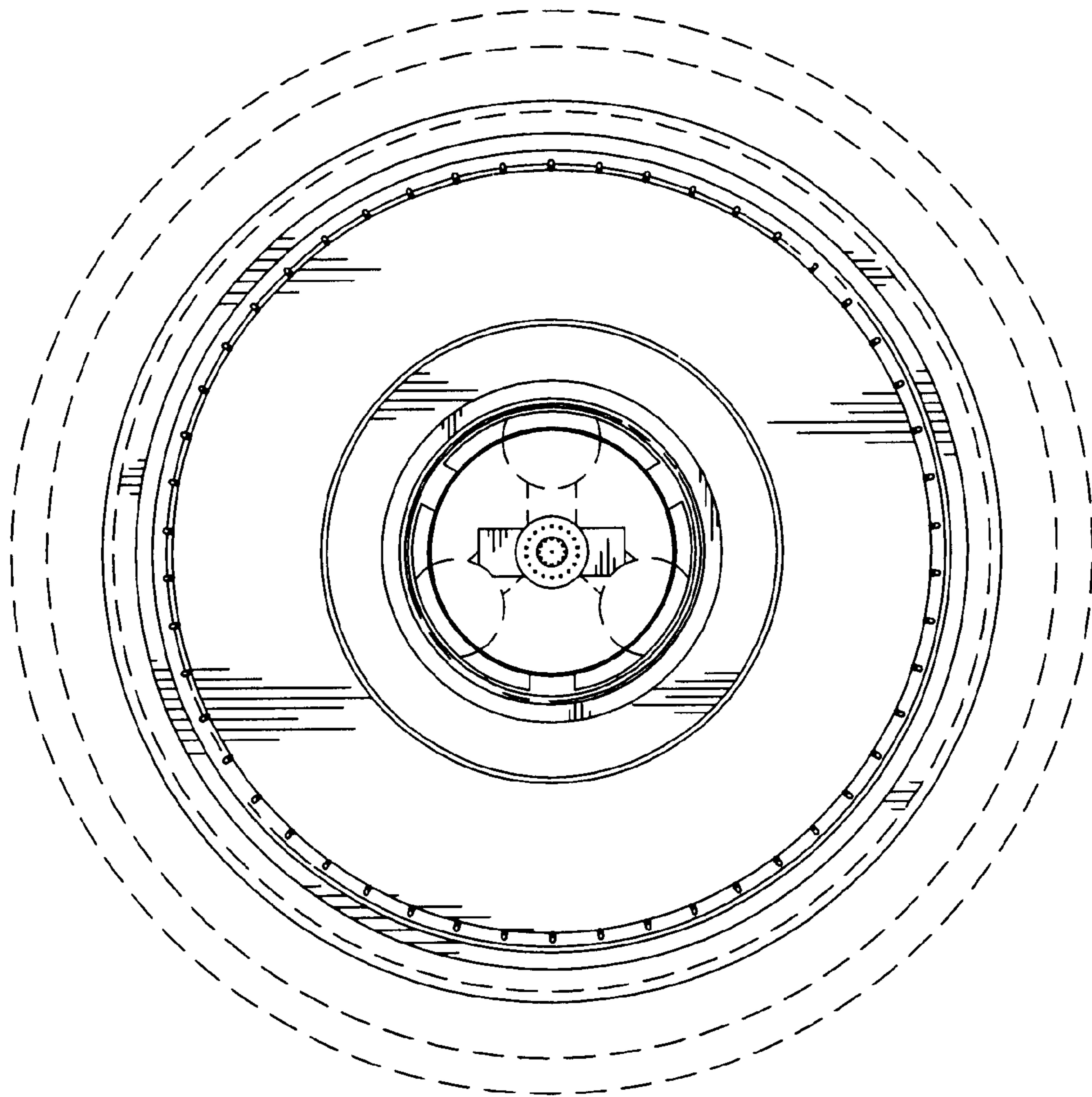


Fig. 3