

US00D502975S

(12) **United States Design Patent** (10) **Patent No.:** **US D502,975 S**
Schweigert et al. (45) **Date of Patent:** **** Mar. 15, 2005**

(54) **GOLF IRON HEAD**

(75) Inventors: **Bradley D. Schweigert**, Glendale, AZ (US); **Michael R. Nicolette**, Scottsdale, AZ (US); **John A. Solheim**, Phoenix, AZ (US)

(73) Assignee: **Karsten Manufacturing Corporation**, Phoenix, AZ (US)

(**) Term: **14 Years**

(21) Appl. No.: **29/187,803**

(22) Filed: **Aug. 6, 2003**

Related U.S. Application Data

(63) Continuation-in-part of application No. 29/183,512, filed on Jun. 11, 2003.

(51) **LOC (7) Cl.** **21-02**

(52) **U.S. Cl.** **D21/748**

(58) **Field of Search** D21/747-751;
473/324-331, 350

(56) **References Cited**

U.S. PATENT DOCUMENTS

| | | | |
|------------|----------|--------------------|---------------|
| D240,841 S | 8/1976 | Solheim | |
| D256,264 S | 8/1980 | Solheim | |
| D332,812 S | 1/1993 | Solheim | |
| D357,293 S | 4/1995 | Solheim | |
| D379,393 S | 5/1997 | Kubica | |
| D422,043 S | 3/2000 | Kubica | |
| D429,299 S | 8/2000 | Kubica | |
| D436,149 S | * 1/2001 | Helmstetter et al. | D21/748 |
| D442,659 S | 5/2001 | Kubica | |
| D443,008 S | * 5/2001 | Kubica et al. | D21/747 |
| D468,787 S | * 1/2003 | Oosthuizen | D21/747 |
| D469,136 S | * 1/2003 | Roberts | D21/747 |
| D470,554 S | * 2/2003 | Truesdale | D21/747 |
| D473,605 S | 4/2003 | Peterson | |
| D494,648 S | * 8/2004 | Schweigert et al. | D21/747 |

* cited by examiner

Primary Examiner—Mitchell Siegel

(74) *Attorney, Agent, or Firm*—Darrell F. Marquette

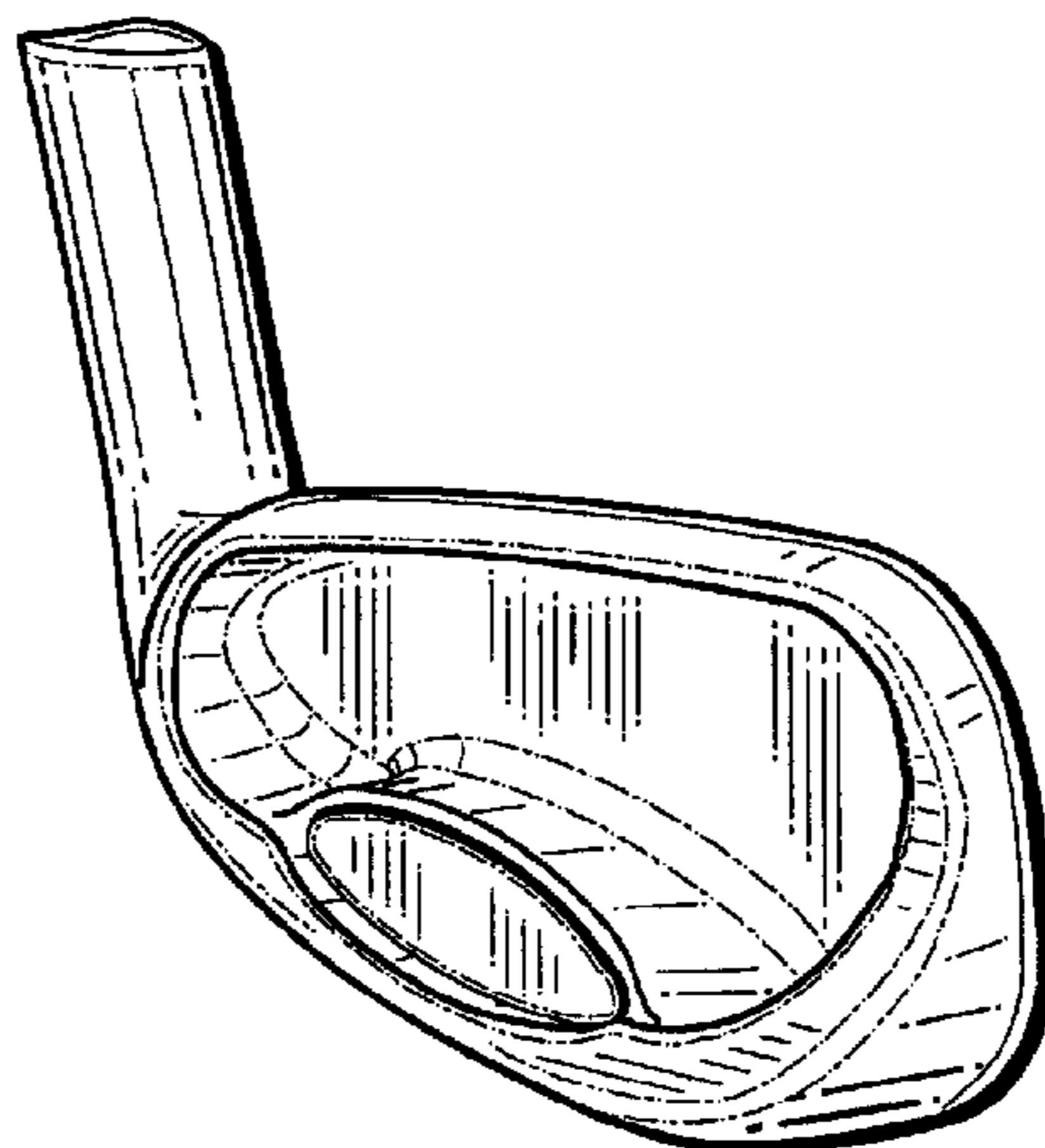
(57) **CLAIM**

We claim the ornamental design for a golf iron head, as shown and described.

DESCRIPTION

FIG. 1 is a perspective view of a golf iron head with a low loft angle such as a 2-iron showing our new design; FIG. 2 is a toe end view of the golf iron head of FIG. 1; FIG. 3 is a heel end view of the golf iron head of FIG. 1; FIG. 4 is a top view of the golf iron head of FIG. 1; FIG. 5 is a bottom view of the golf iron head of FIG. 1; FIG. 6 is a front elevational view of the golf iron head of FIG. 1; FIG. 7 is a rear elevational view of the golf iron head of FIG. 1; FIG. 8 is an enlarged sectional view taken along line 8—8 of FIG. 7; FIG. 9 is an enlarged sectional view taken along line 9—9 of FIG. 7; FIG. 10 is a perspective view of a golf iron head with a medium loft angle such as a 6-iron showing our new design; FIG. 11 is a toe end view of the golf iron head of FIG. 10; FIG. 12 is a heel end view of the golf iron head of FIG. 10; FIG. 13 is a top view of the golf iron head of FIG. 10; FIG. 14 is a bottom view of the golf iron head of FIG. 10; FIG. 15 is a front elevational view of the golf iron head of FIG. 10; FIG. 16 is a rear elevational view of the golf iron head of FIG. 10; FIG. 17 is an enlarged sectional view taken along line 17—17 of FIG. 16; and, FIG. 18 is an enlarged sectional view taken along line 18—18 of FIG. 16.

1 Claim, 6 Drawing Sheets



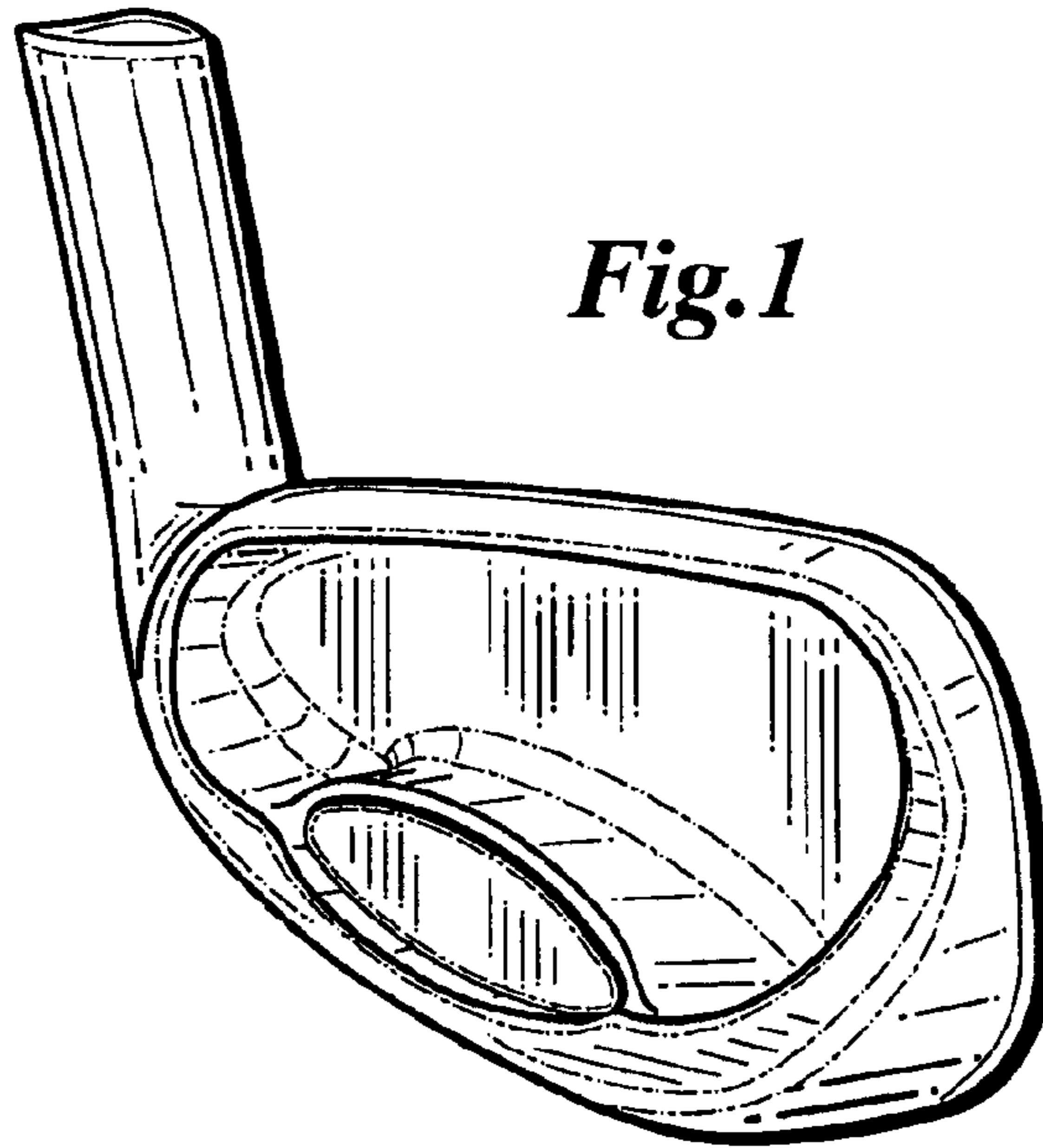


Fig. 1

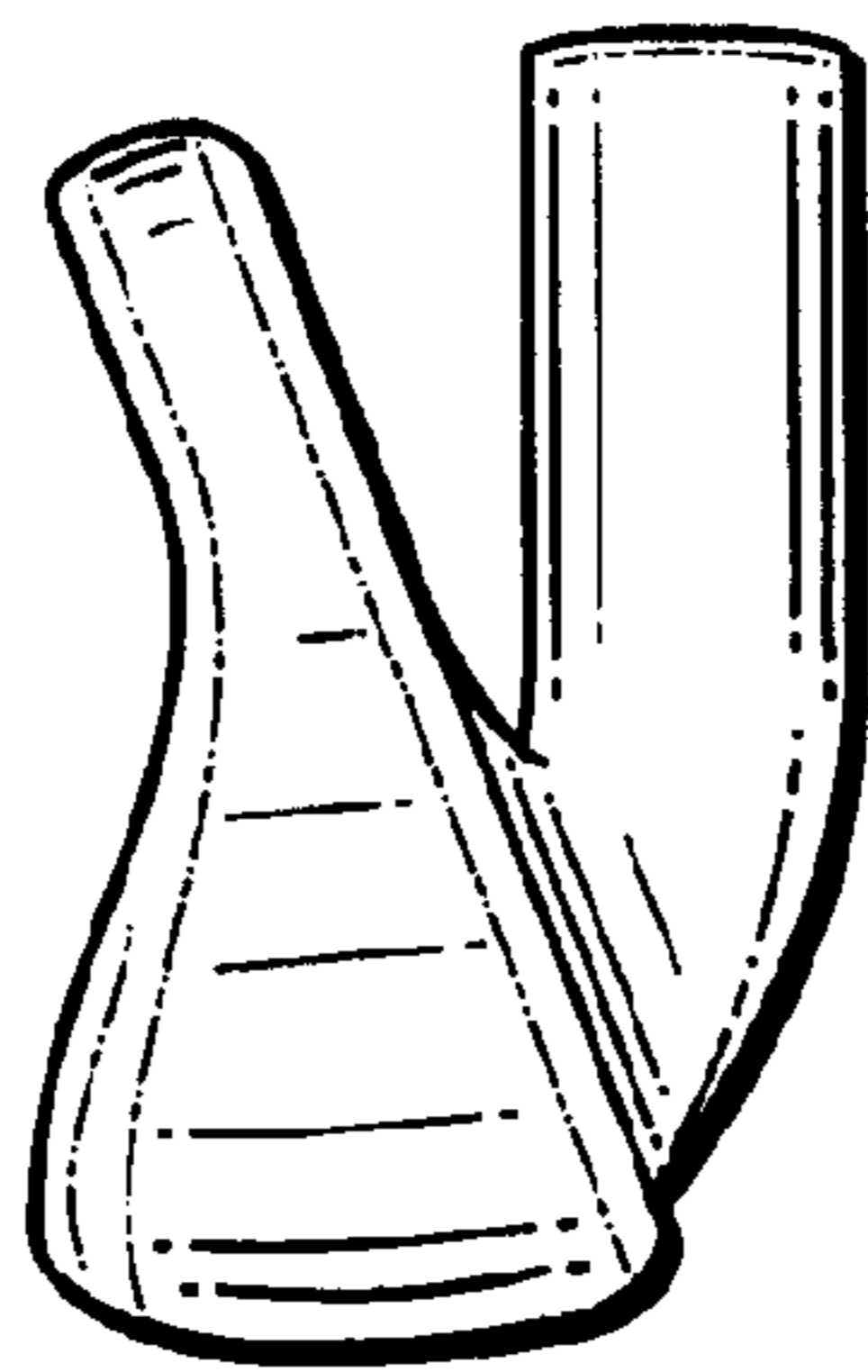


Fig. 2

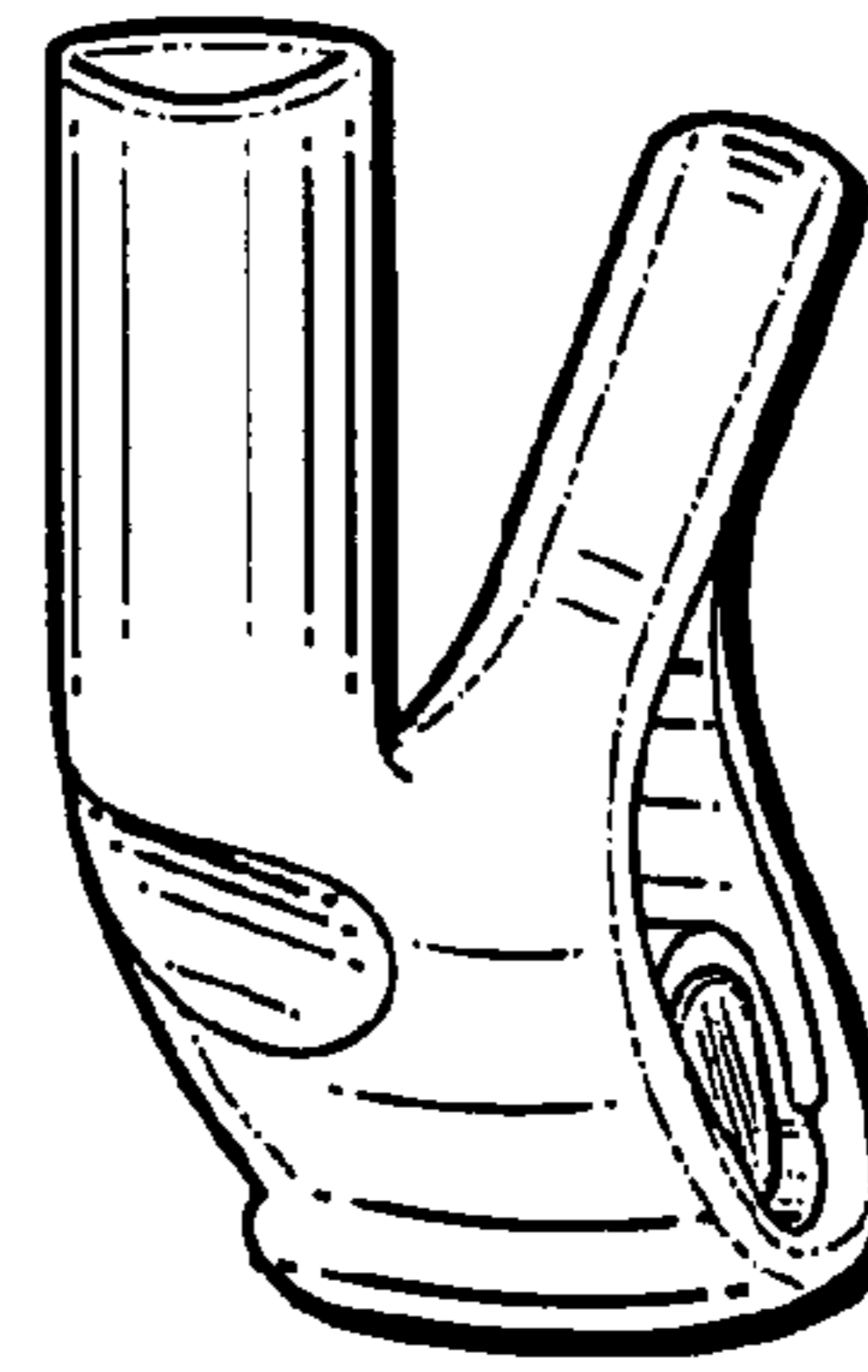


Fig. 3

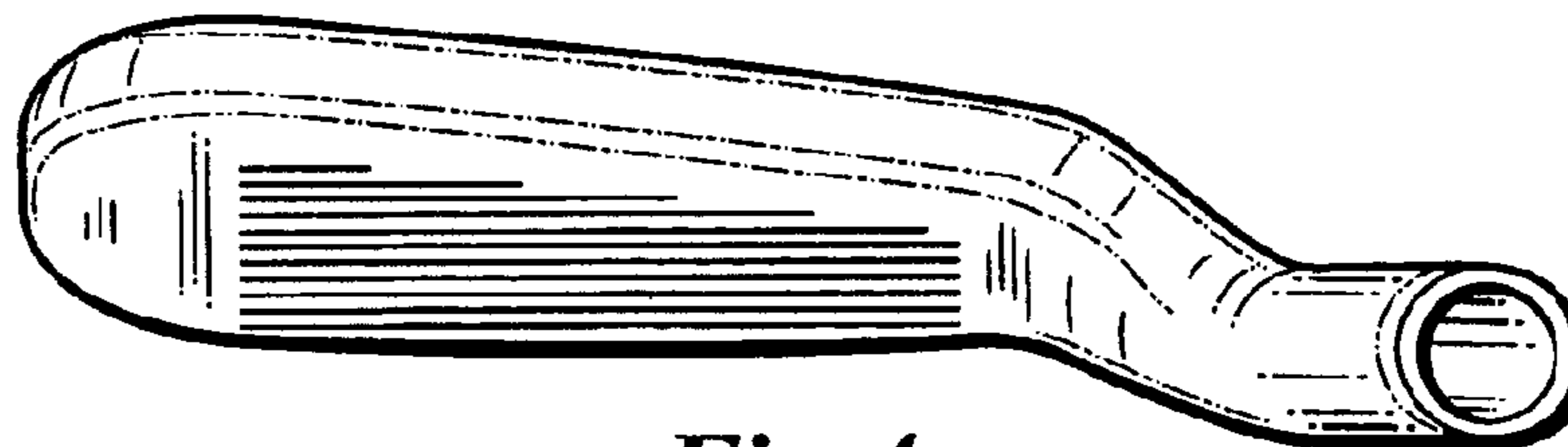


Fig. 4

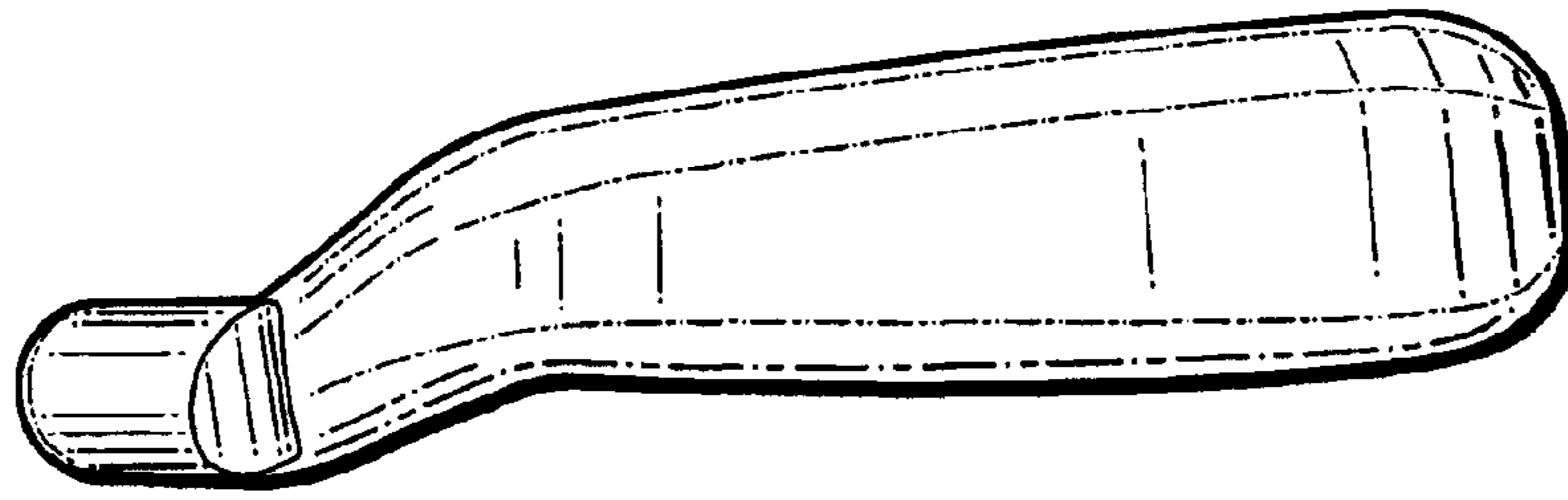


Fig. 5

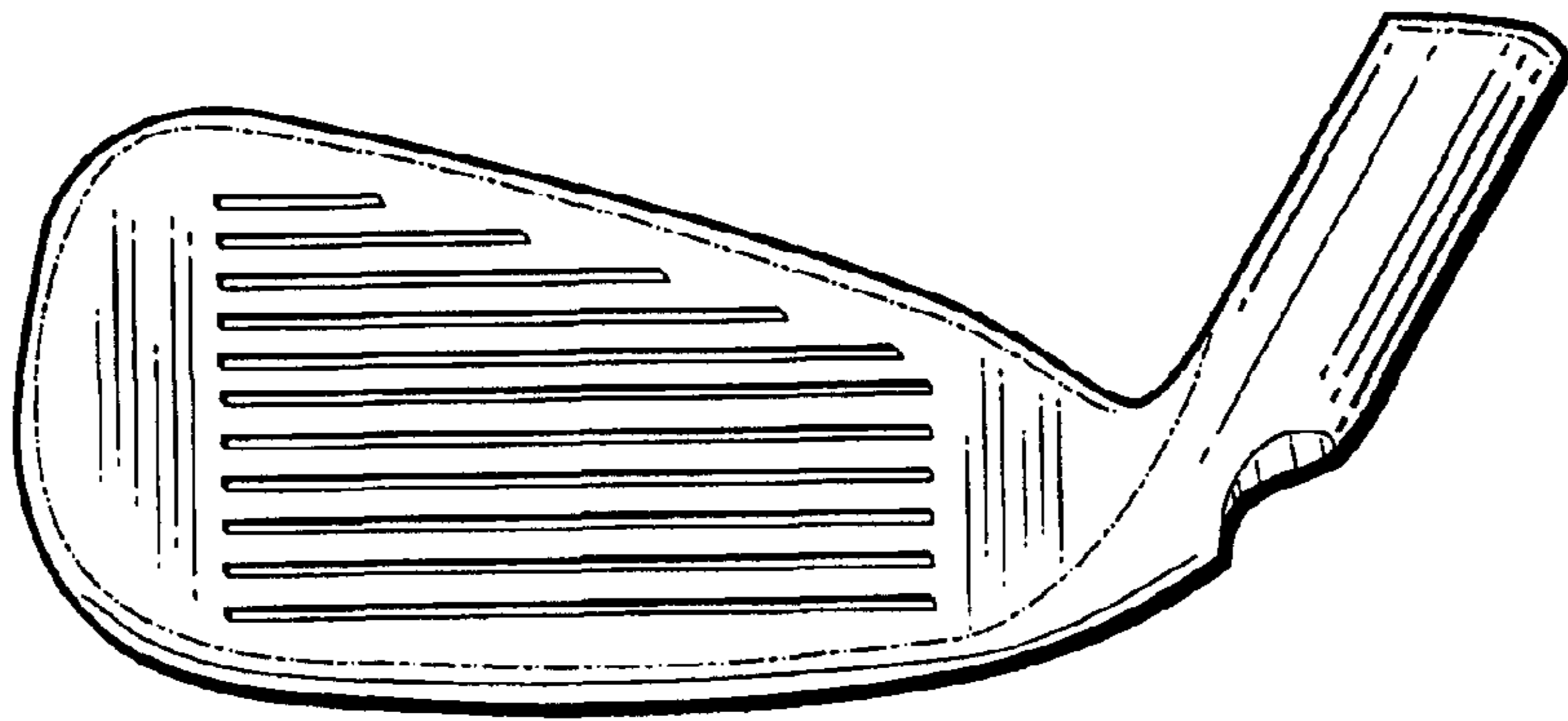


Fig. 6

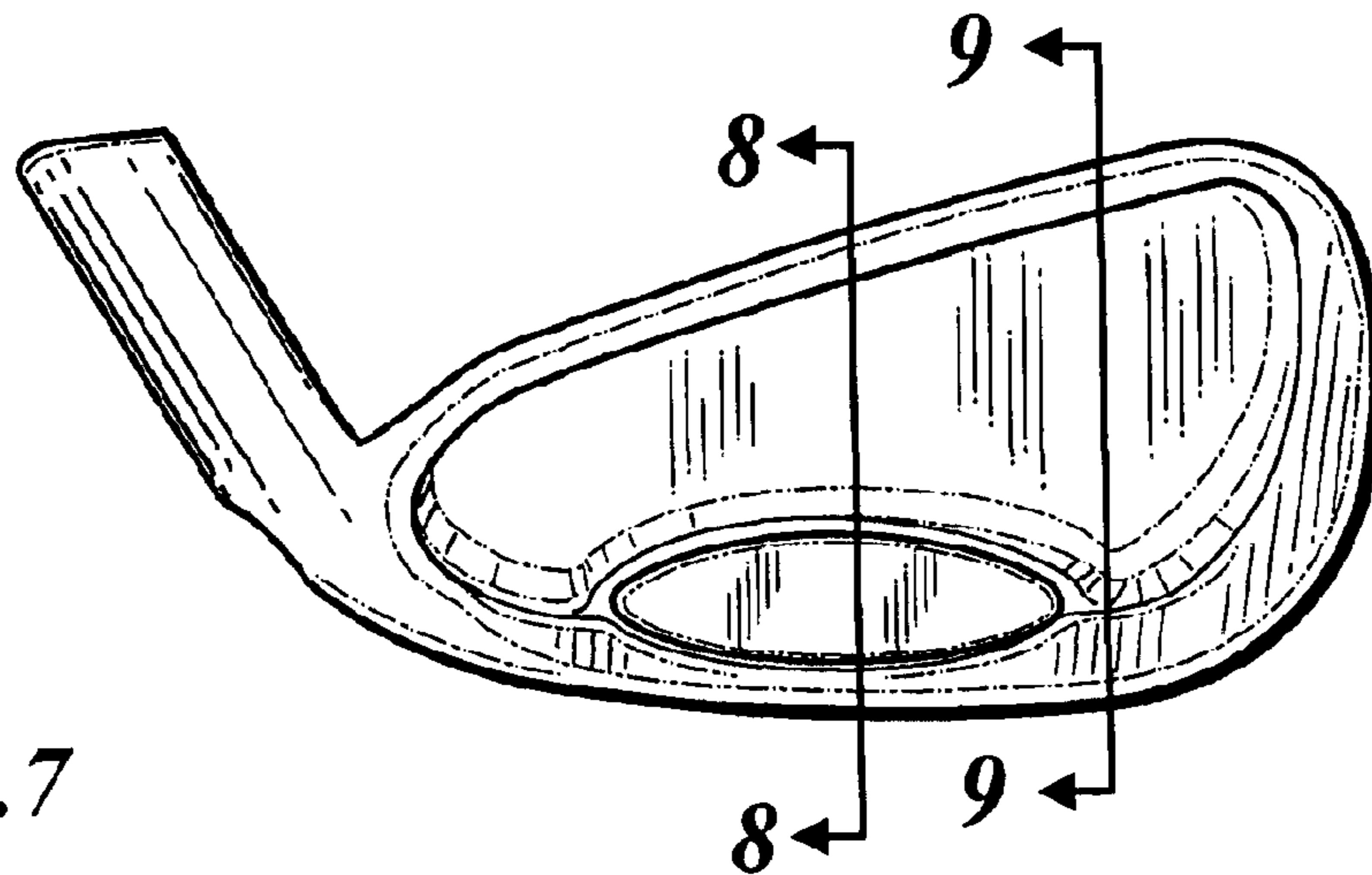


Fig. 7

Fig. 8

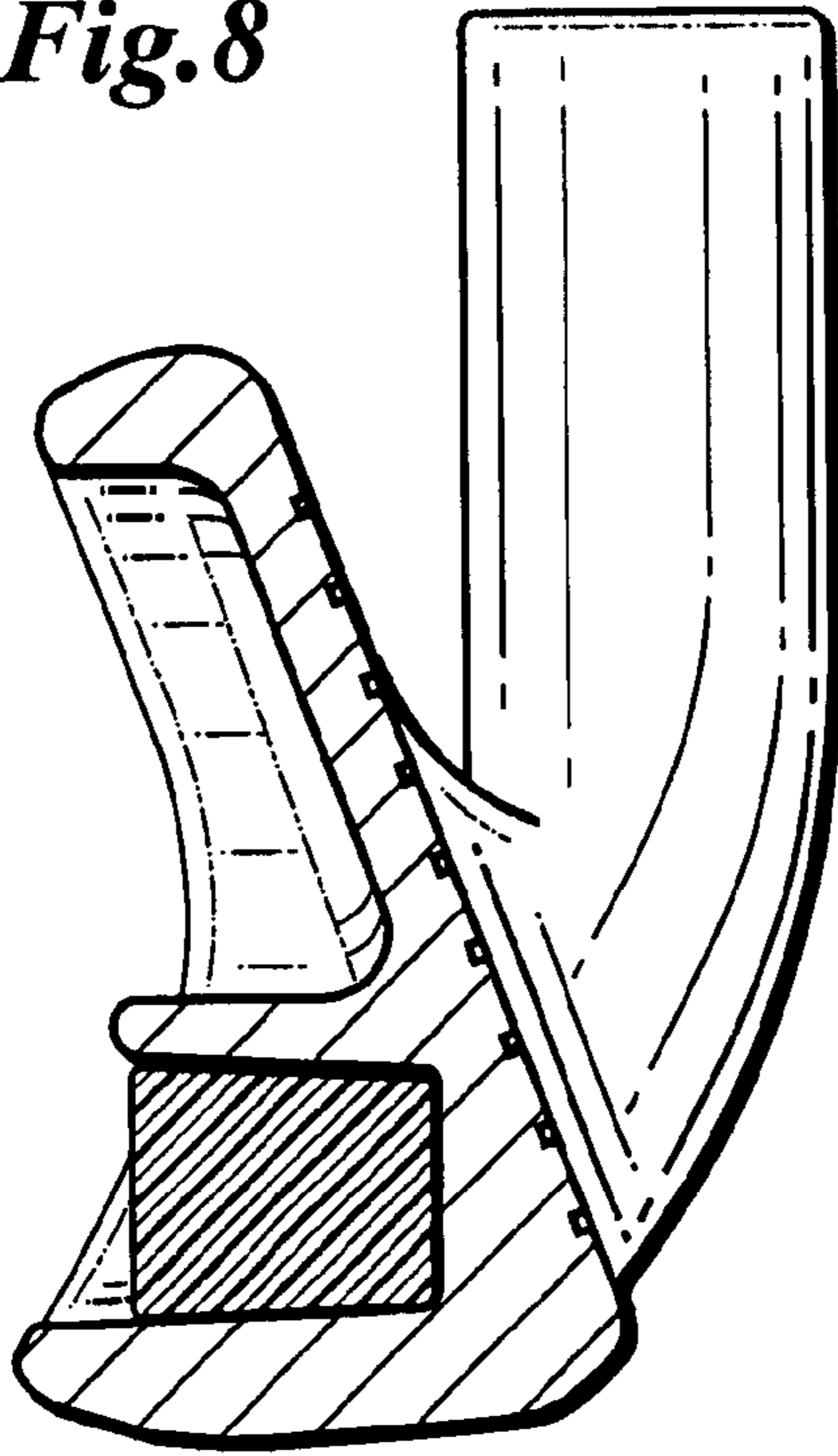
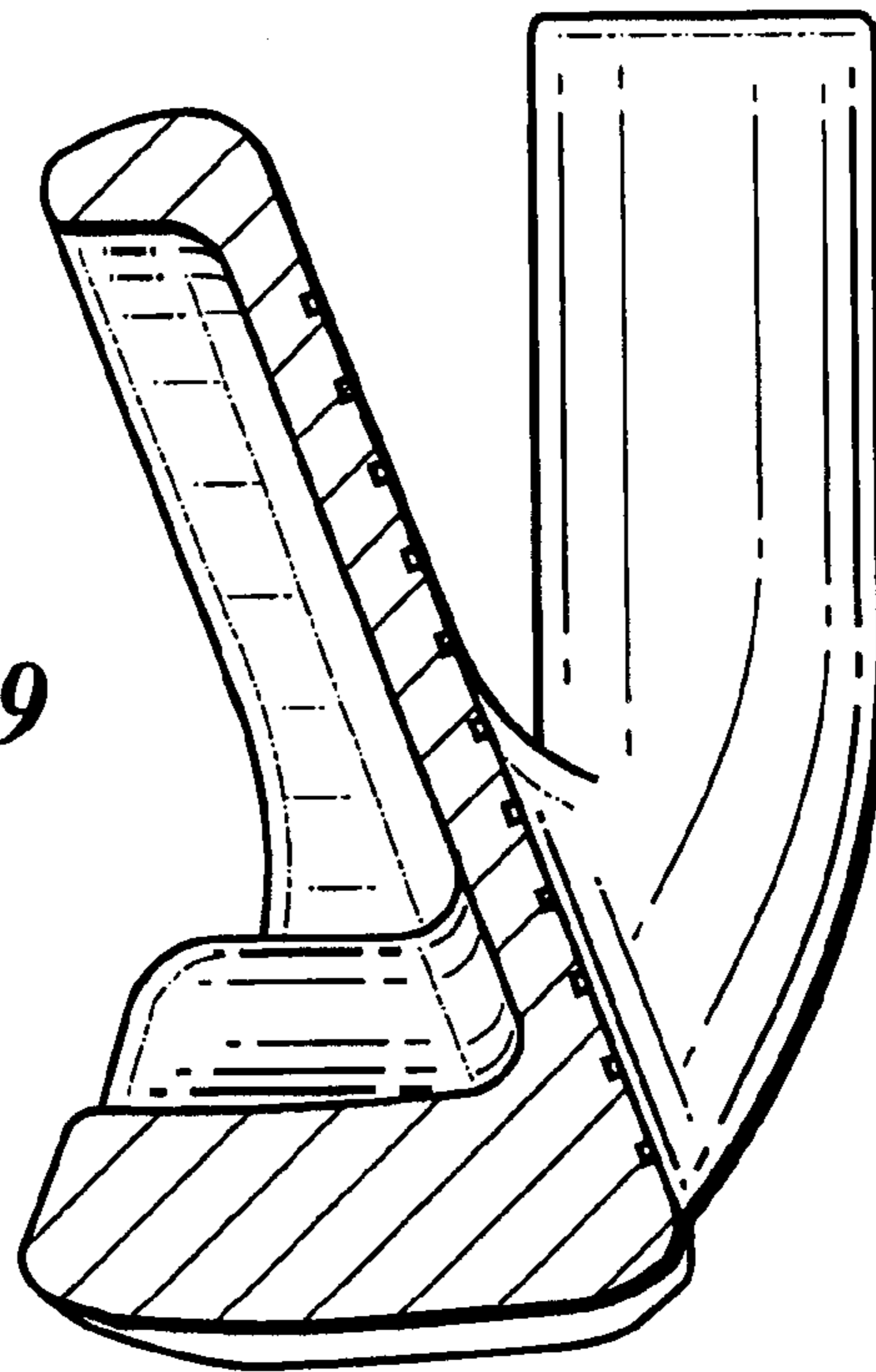


Fig. 9



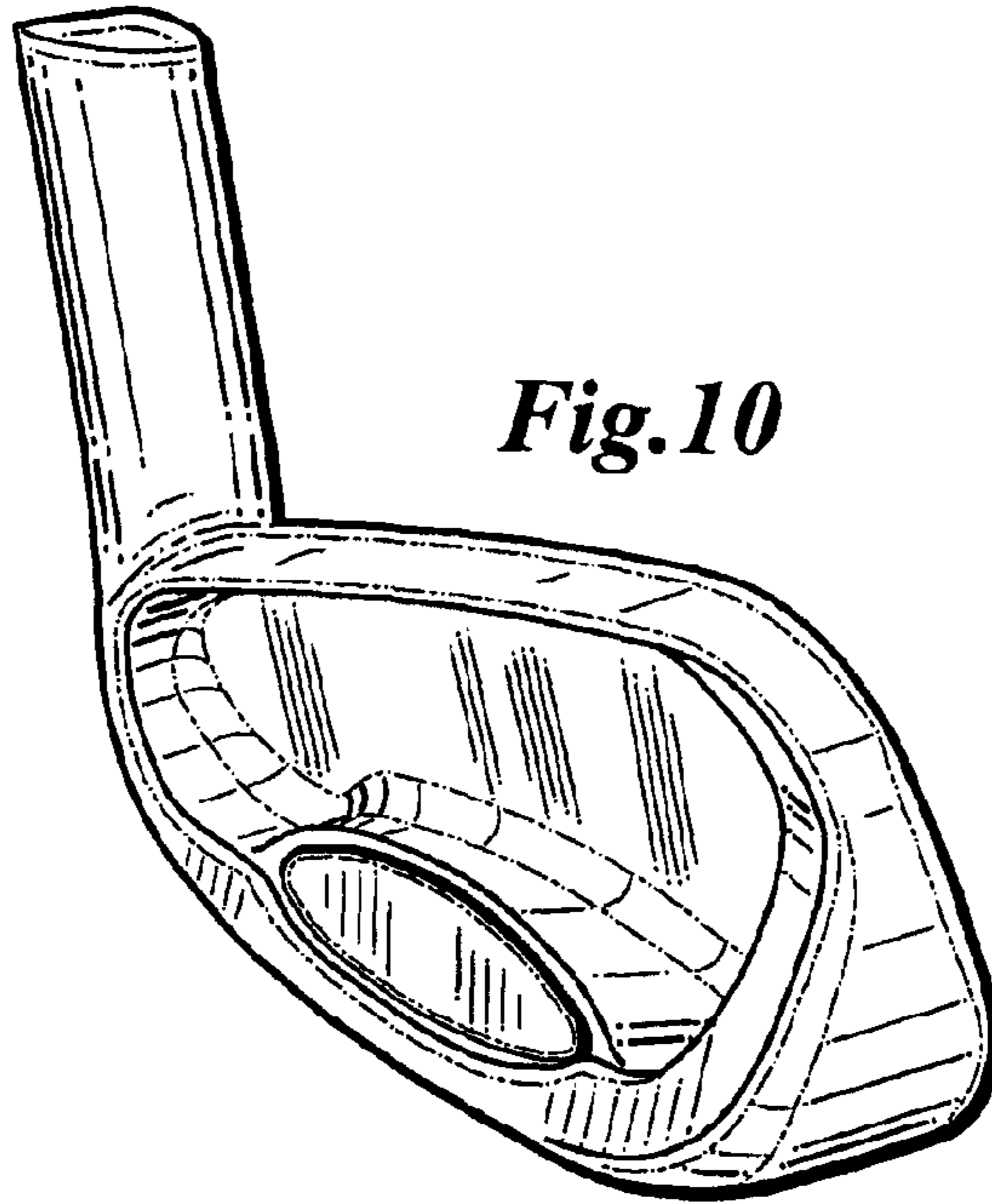


Fig. 10

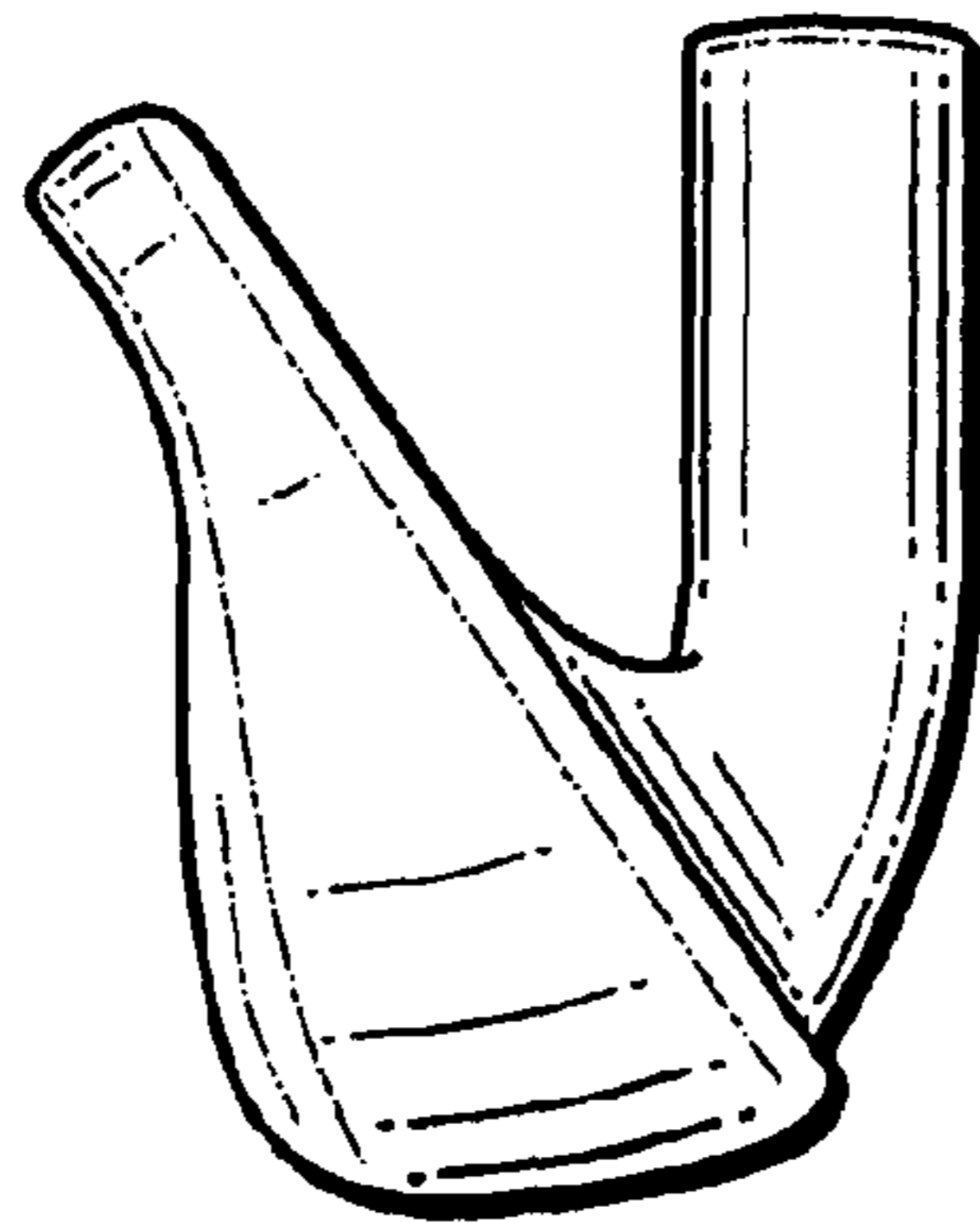


Fig. 11

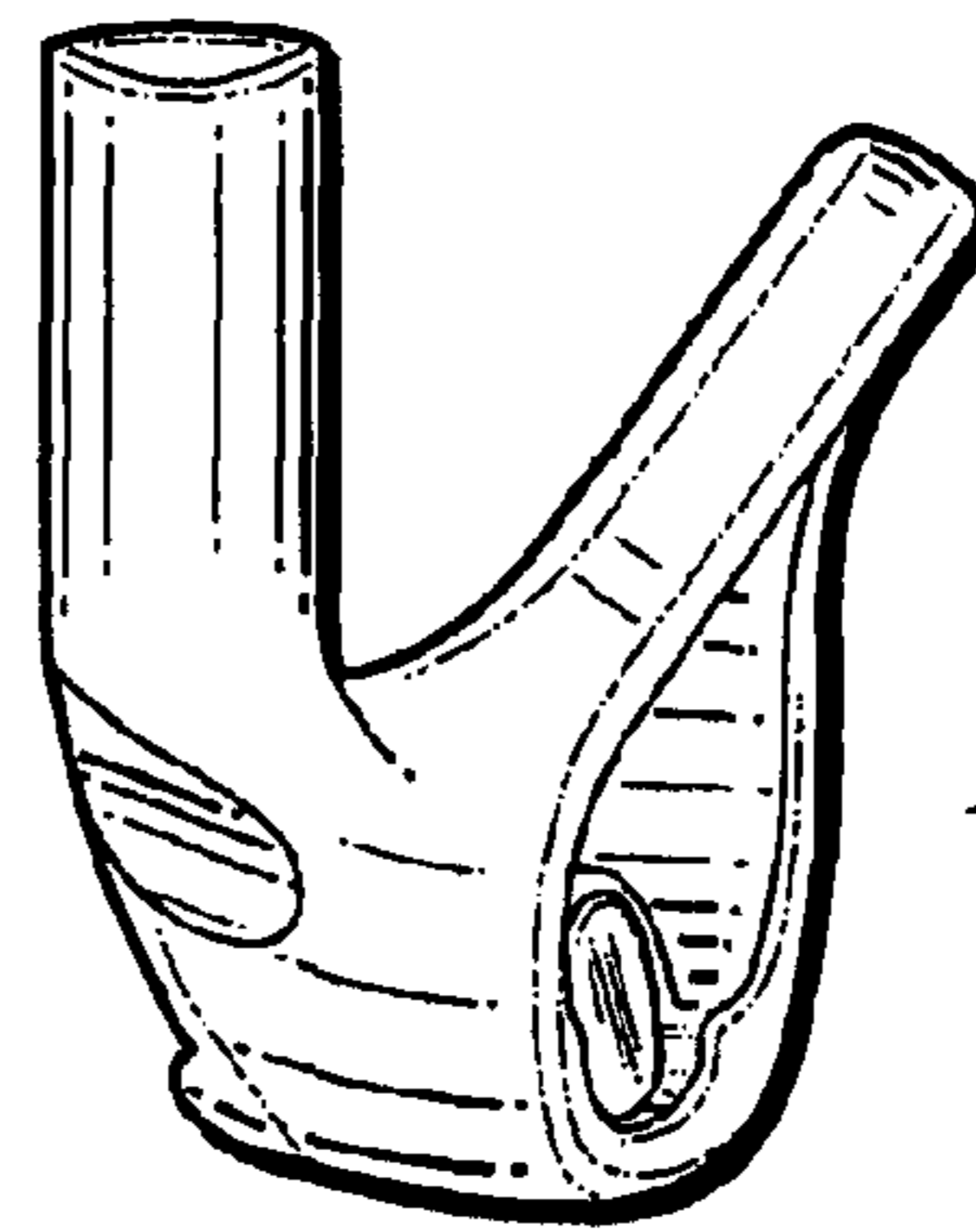


Fig. 12

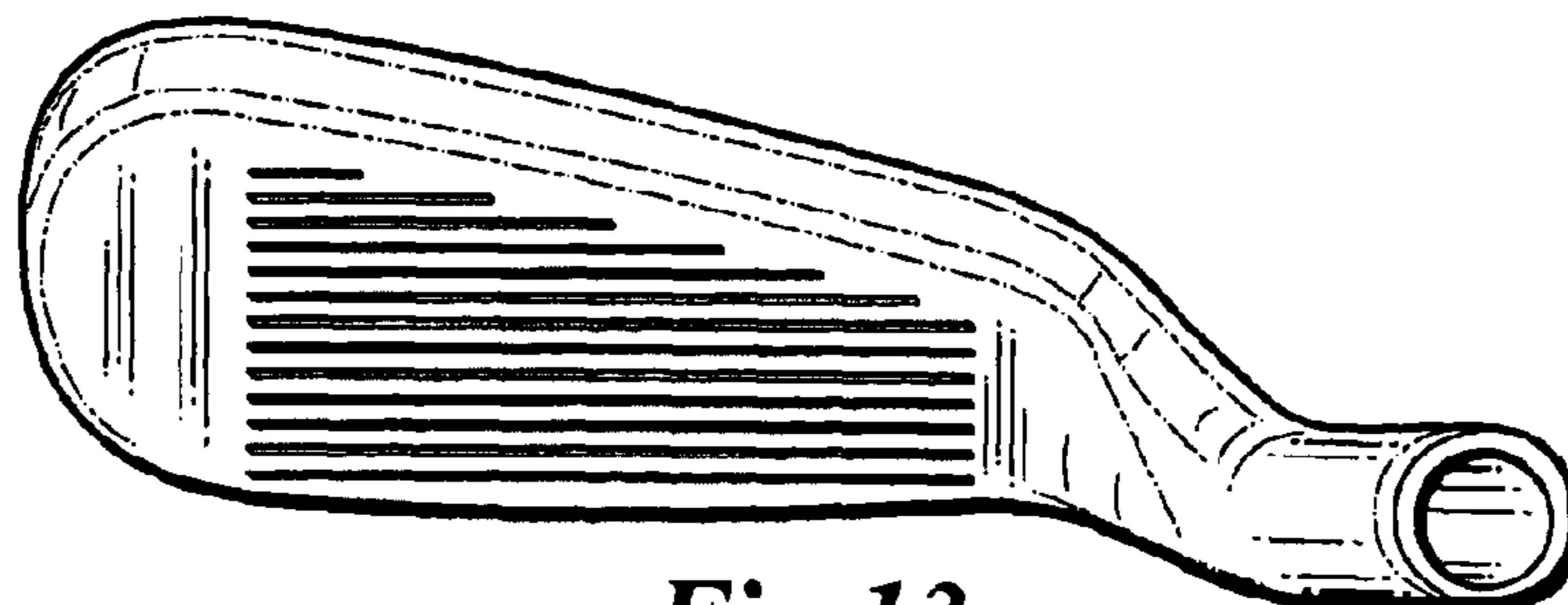


Fig. 13

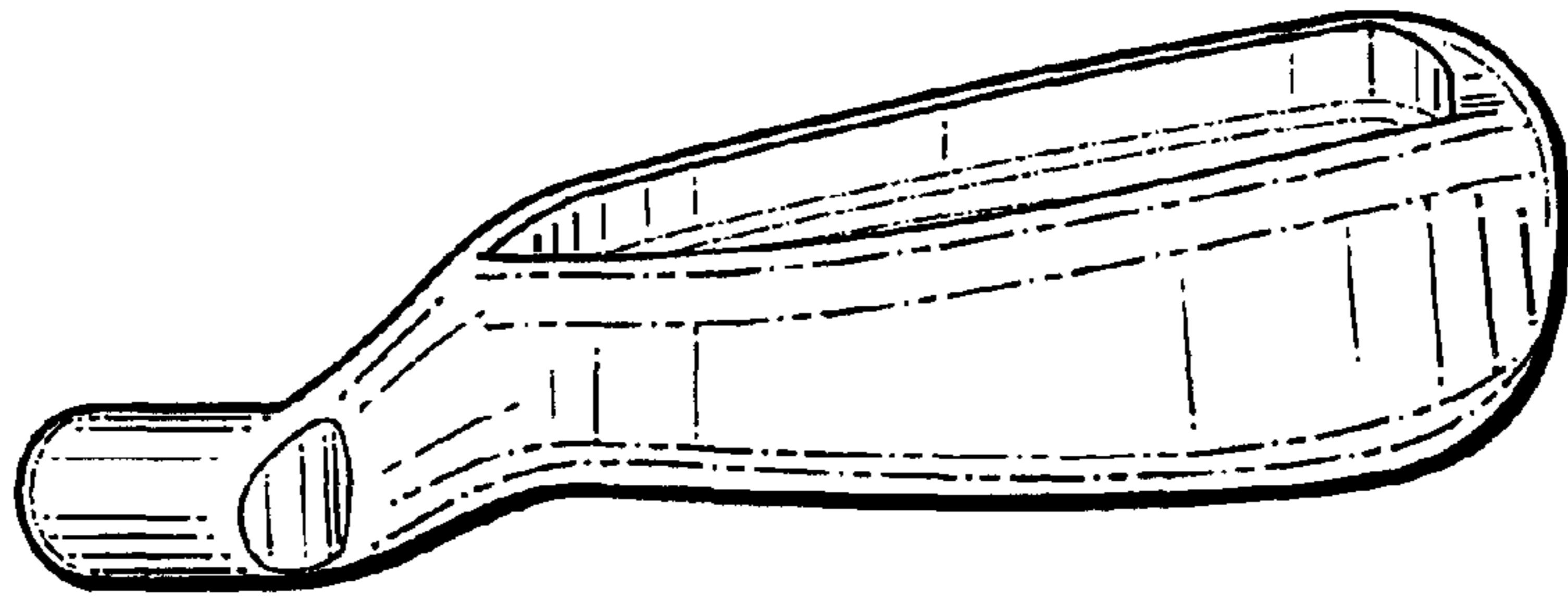


Fig.14

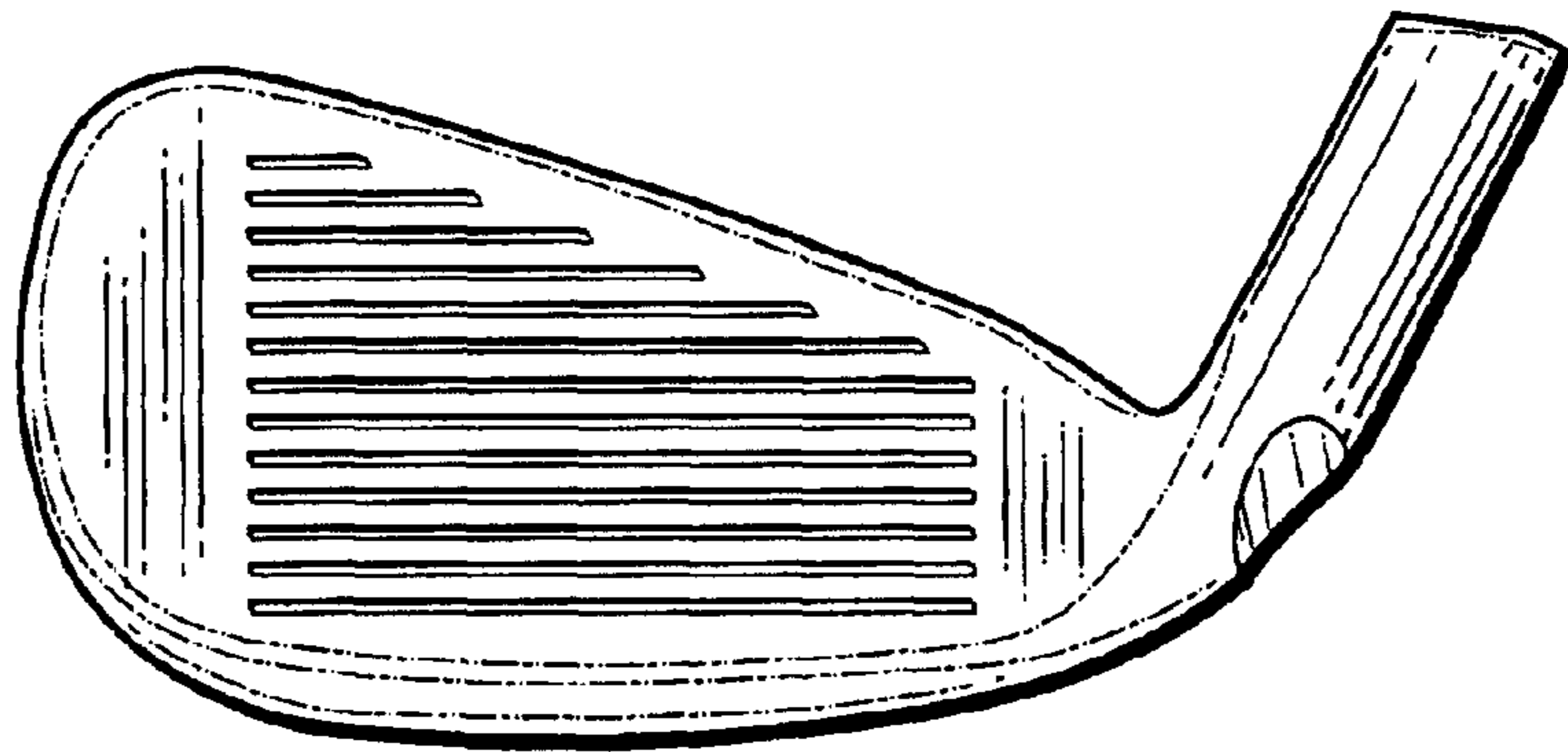


Fig.15

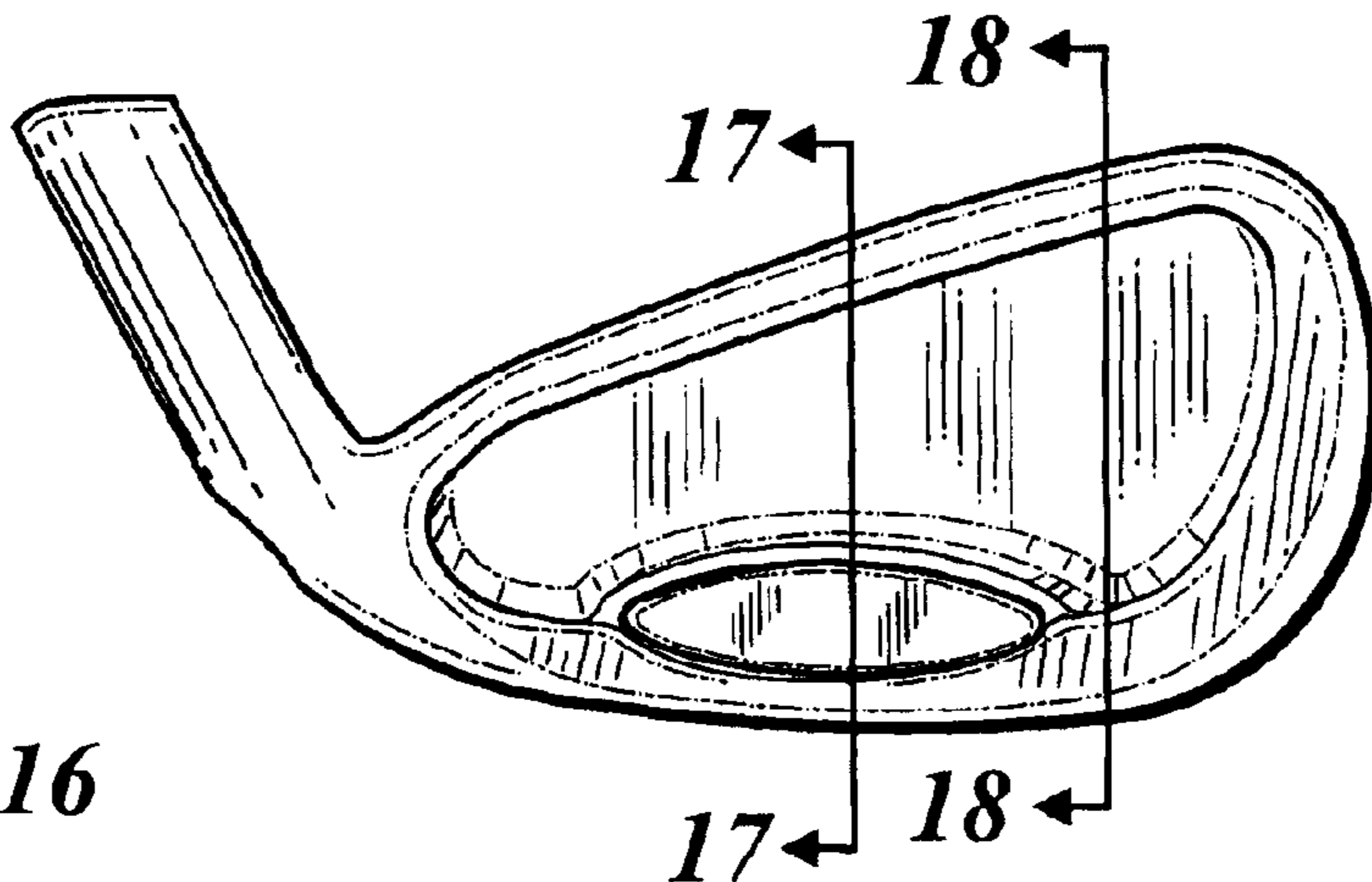


Fig.16

Fig.17

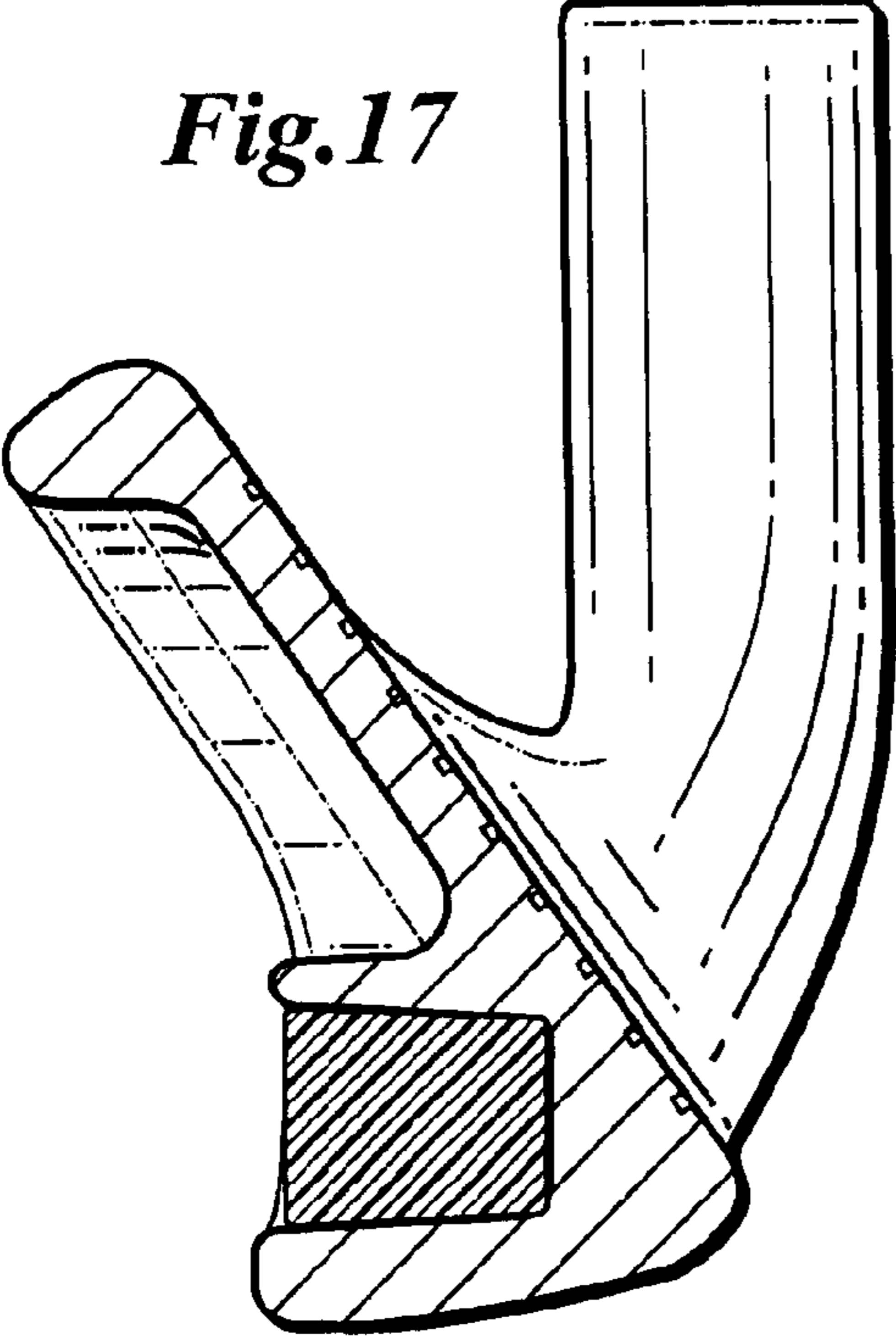


Fig.18

