

US00D502970S

(12) **United States Design Patent**
Maakestad

(10) **Patent No.:** **US D502,970 S**
(45) **Date of Patent:** **** Mar. 15, 2005**

(54) **EXERCISE DEVICE FOR CRADLING THE HEAD FOR SITUPS**

(76) Inventor: **Jan F. Maakestad**, 1020 Union St., #25, San Francisco, CA (US) 94133

(**) Term: **14 Years**

(21) Appl. No.: **29/182,528**

(22) Filed: **May 27, 2003**

(51) **LOC (7) Cl.** **21-02**

(52) **U.S. Cl.** **D21/662**

(58) **Field of Search** D21/662; 482/140, 482/93, 91, 95, 148, 139; 602/18

(56) **References Cited**

U.S. PATENT DOCUMENTS

5,169,372 A	*	12/1992	Tecco	482/140
5,248,287 A	*	9/1993	Nicoletti	482/106
5,267,931 A	*	12/1993	Faetini	482/140
5,295,949 A	*	3/1994	Hathaway	602/18
5,637,067 A	*	6/1997	Ausmus	482/140

5,857,948 A	*	1/1999	Barnett	482/140
5,921,903 A	*	7/1999	Lawrence	482/140
6,126,581 A	*	10/2000	Hartsel	482/140
D438,577 S	*	3/2001	Phillips	D21/662

* cited by examiner

Primary Examiner—Philip S. Hyder

(74) *Attorney, Agent, or Firm*—Allston L. Jones

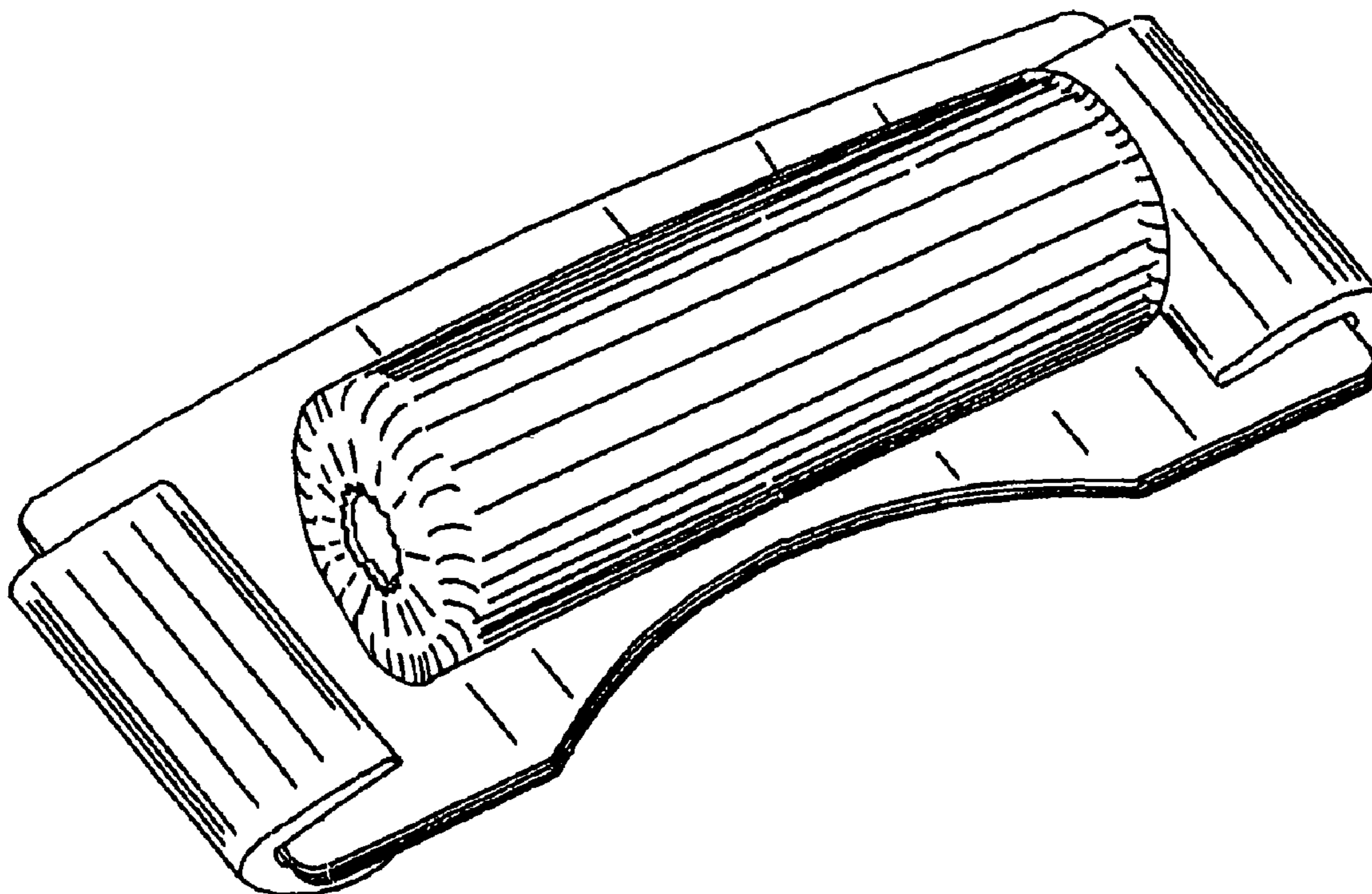
(57) **CLAIM**

The ornamental design for an “exercise device for cradling the head for situps,” as shown and described.

DESCRIPTION

FIG. 1 is a top plan view of an exercise device for cradling the head for situps, showing my new design; FIG. 2 is a front elevation view thereof; FIG. 3 is a perspective view thereof; FIG. 4 is a top plan view of an alternate embodiment of the exercise device for cradling the head for situps; FIG. 5 is a front elevation view thereof; and, FIG. 6 is a perspective view thereof.

1 Claim, 6 Drawing Sheets



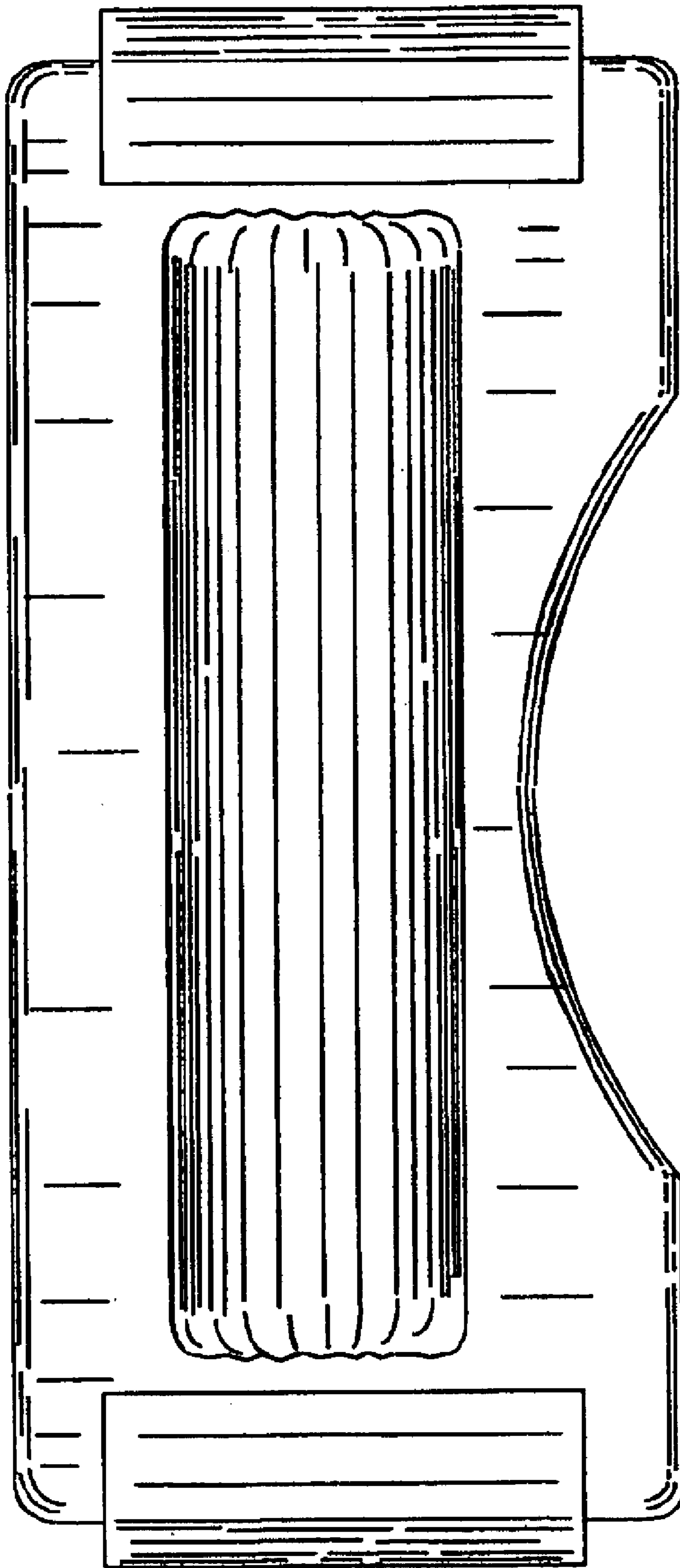


Fig. 1

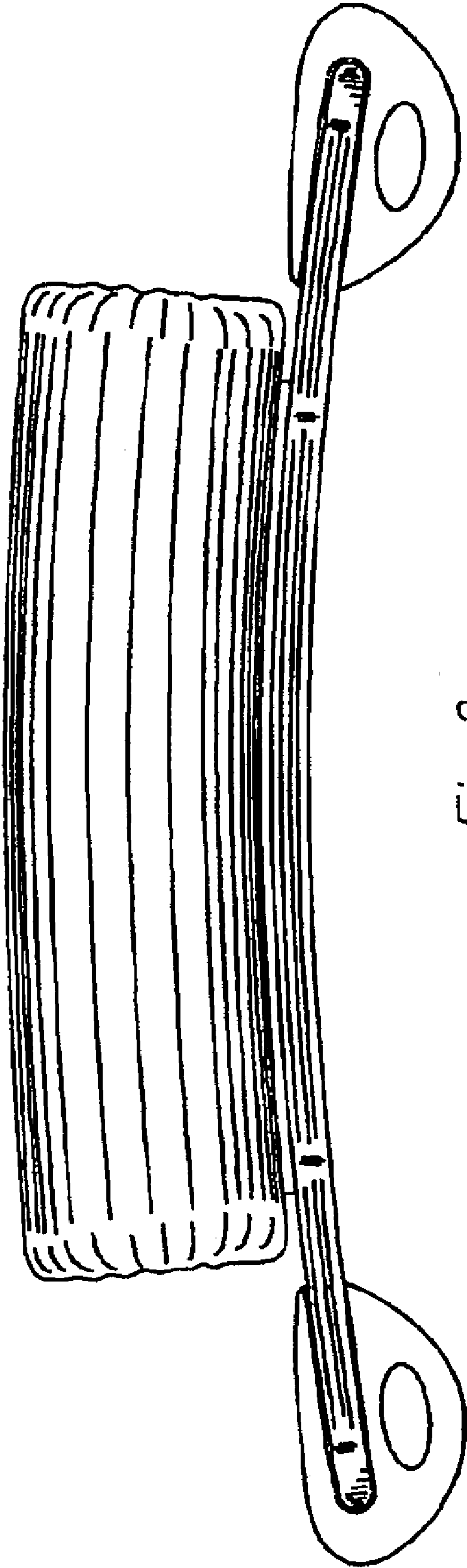


Fig. 2

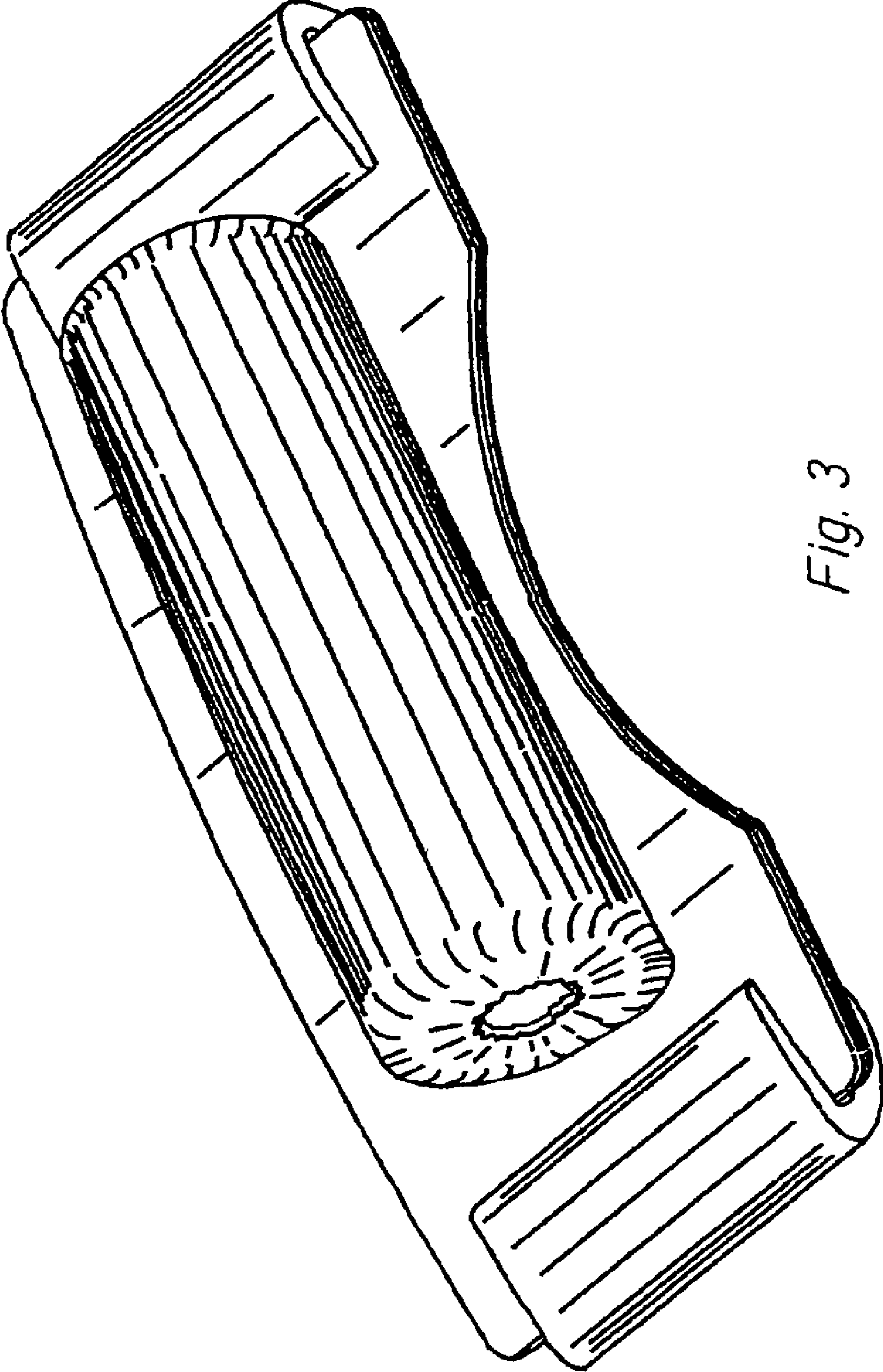


Fig. 3

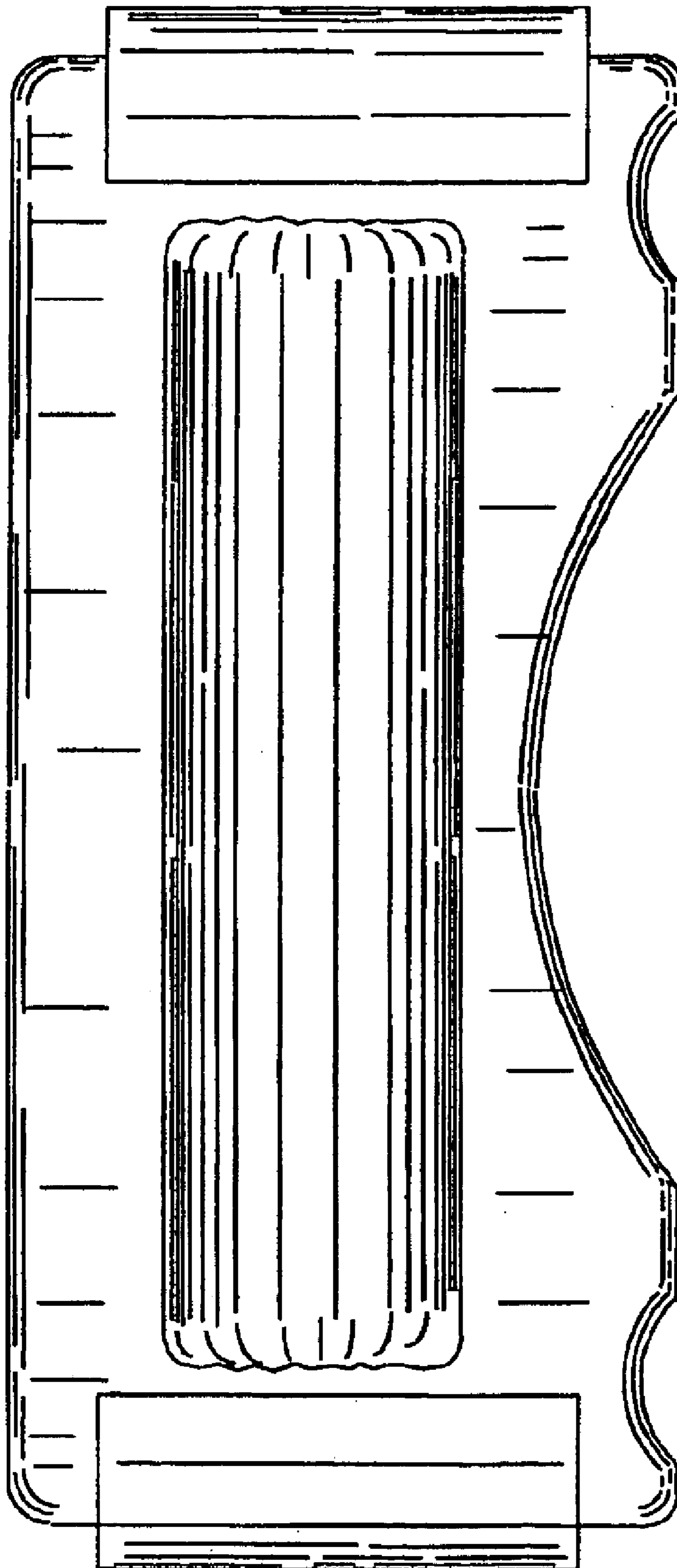


Fig. 4

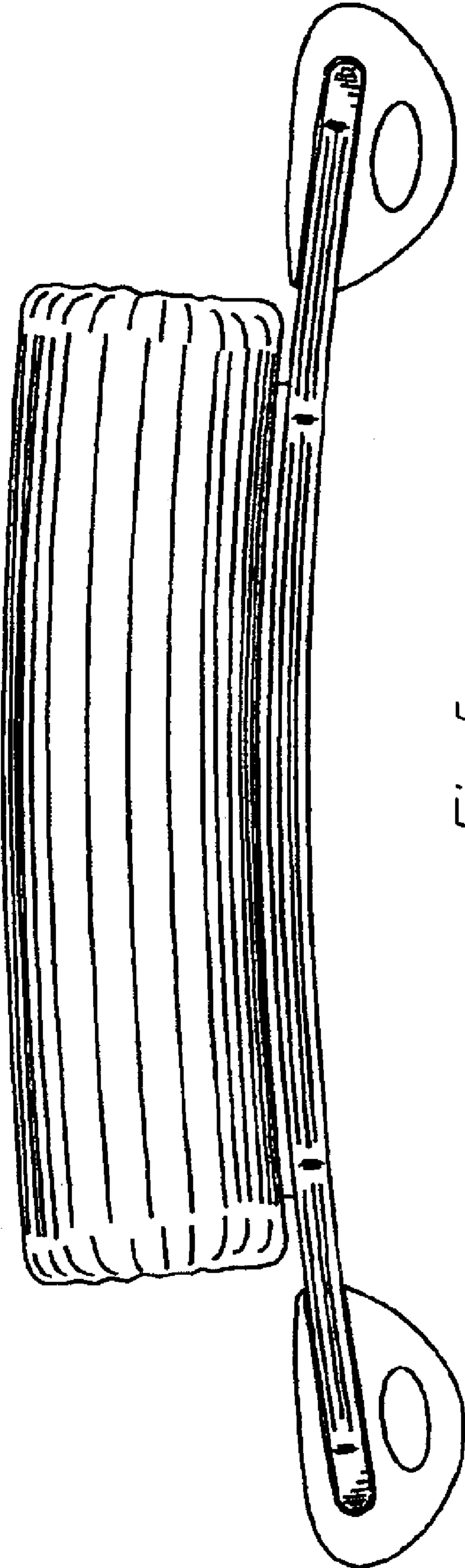


Fig. 5

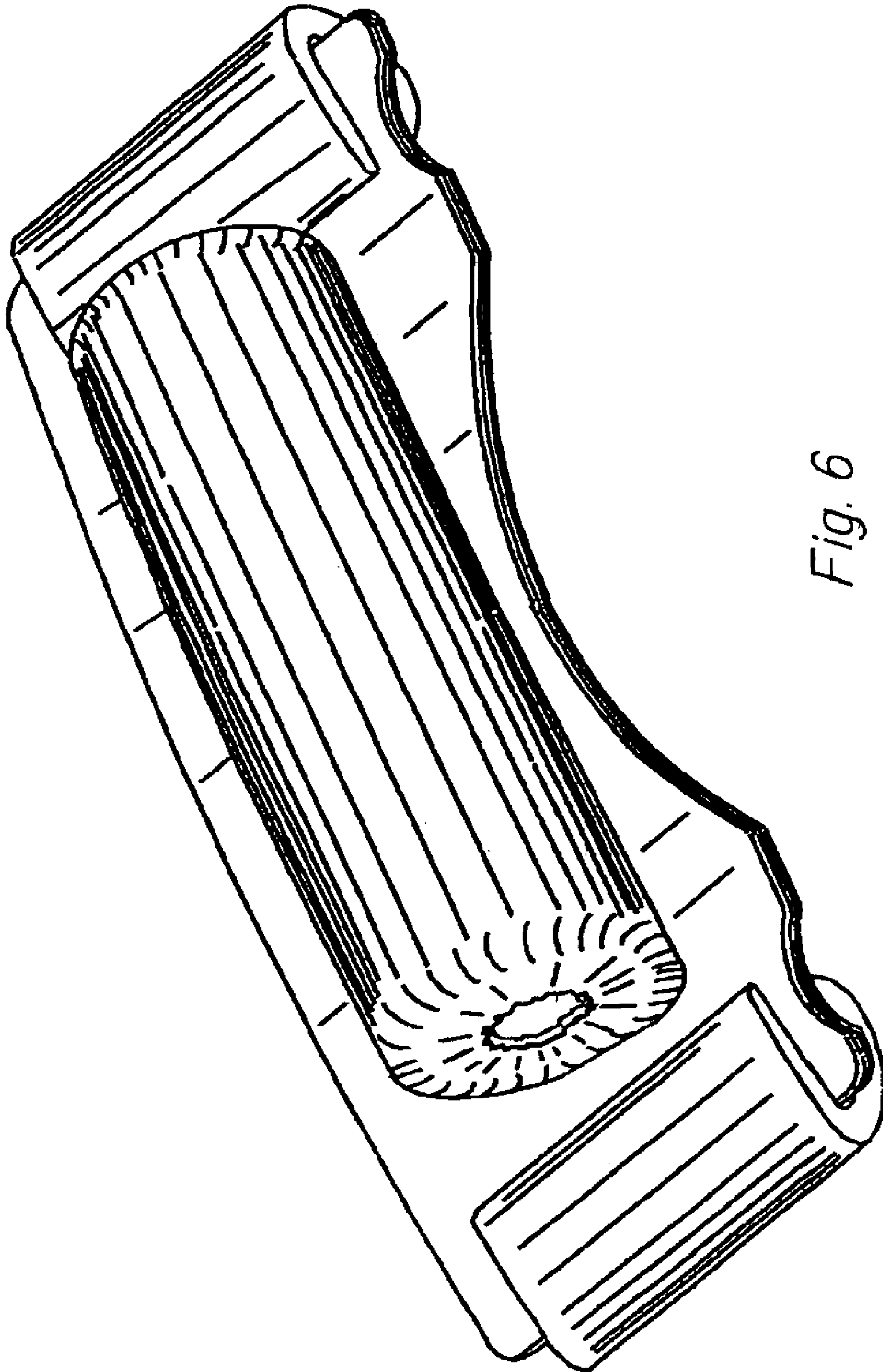


Fig. 6