

US00D502968S

(12) **United States Design Patent**
Takahashi et al.

(10) **Patent No.:** **US D502,968 S**
(45) **Date of Patent:** **** Mar. 15, 2005**

(54) **REMOTE CONTROL**

(75) Inventors: **Hiroshi Takahashi**, Tokyo (JP); **Tooru Yamamoto**, Tokyo (JP)

(73) Assignee: **Nikko Co., Ltd.**, Tokyo (JP)

(**) Term: **14 Years**

(21) Appl. No.: **29/194,840**

(22) Filed: **Dec. 3, 2003**

(51) **LOC (7) Cl.** **21-01**

(52) **U.S. Cl.** **D21/566**

(58) **Field of Search** D21/566, 333,
D21/324, 329, 513; D14/401, 217-218;
446/454-456, 141-143, 297, 404, 479;
463/29-35, 1, 46-47

(56) **References Cited**

U.S. PATENT DOCUMENTS

D263,858 S	*	4/1982	Ngai	D21/566
D283,718 S	*	5/1986	Kondo	D21/566
D302,446 S	*	7/1989	Cheng	D21/566
D313,439 S	*	1/1991	Kohno	D21/566
D323,361 S	*	1/1992	Kohno	D21/566
5,158,495 A	*	10/1992	Yonezawa	446/456
D464,684 S	*	10/2002	Arai et al.	D21/566
D478,638 S	*	8/2003	Mukaida	D21/566
D480,117 S	*	9/2003	Mukaida	D21/566

OTHER PUBLICATIONS

Radio Control—Car Action, p. 190, Mar. 1990.*

* cited by examiner

Primary Examiner—Raphael Barkai

(74) *Attorney, Agent, or Firm*—Young & Thompson

(57) **CLAIM**

The ornamental design for a remote control, as shown and described.

DESCRIPTION

FIG. 1 is a top, front and side perspective view of a remote control showing our new design in a first position of the parts thereof;

FIG. 2 is a front elevational view thereof;

FIG. 3 is a side elevational view thereof from the left of FIG. 2;

FIG. 4 is a side elevational view thereof from the right of FIG. 2;

FIG. 5 is a rear elevational view thereof;

FIG. 6 is a top plan view thereof;

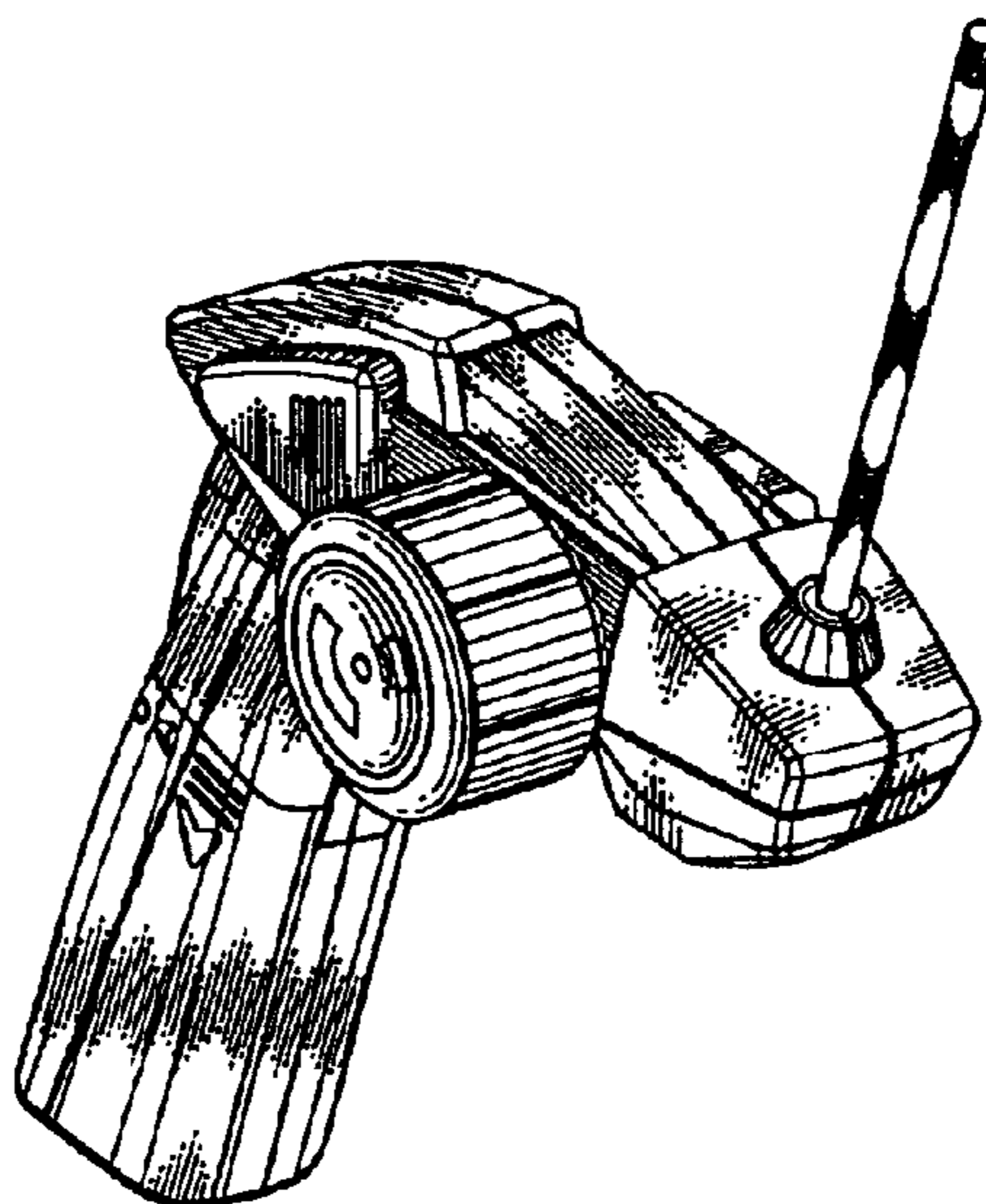
FIG. 7 is a bottom plan view thereof;

FIGS. 8-14 are views similar to FIGS. 1-7, respectively, but showing the parts in a second position thereof;

FIGS. 15-21 are views similar to FIGS. 1-7, respectively, but showing the parts in a third position thereof; and,

FIGS. 22-28 are views similar to FIGS. 1-7, respectively, but showing the parts in a fourth position thereof.

1 Claim, 28 Drawing Sheets



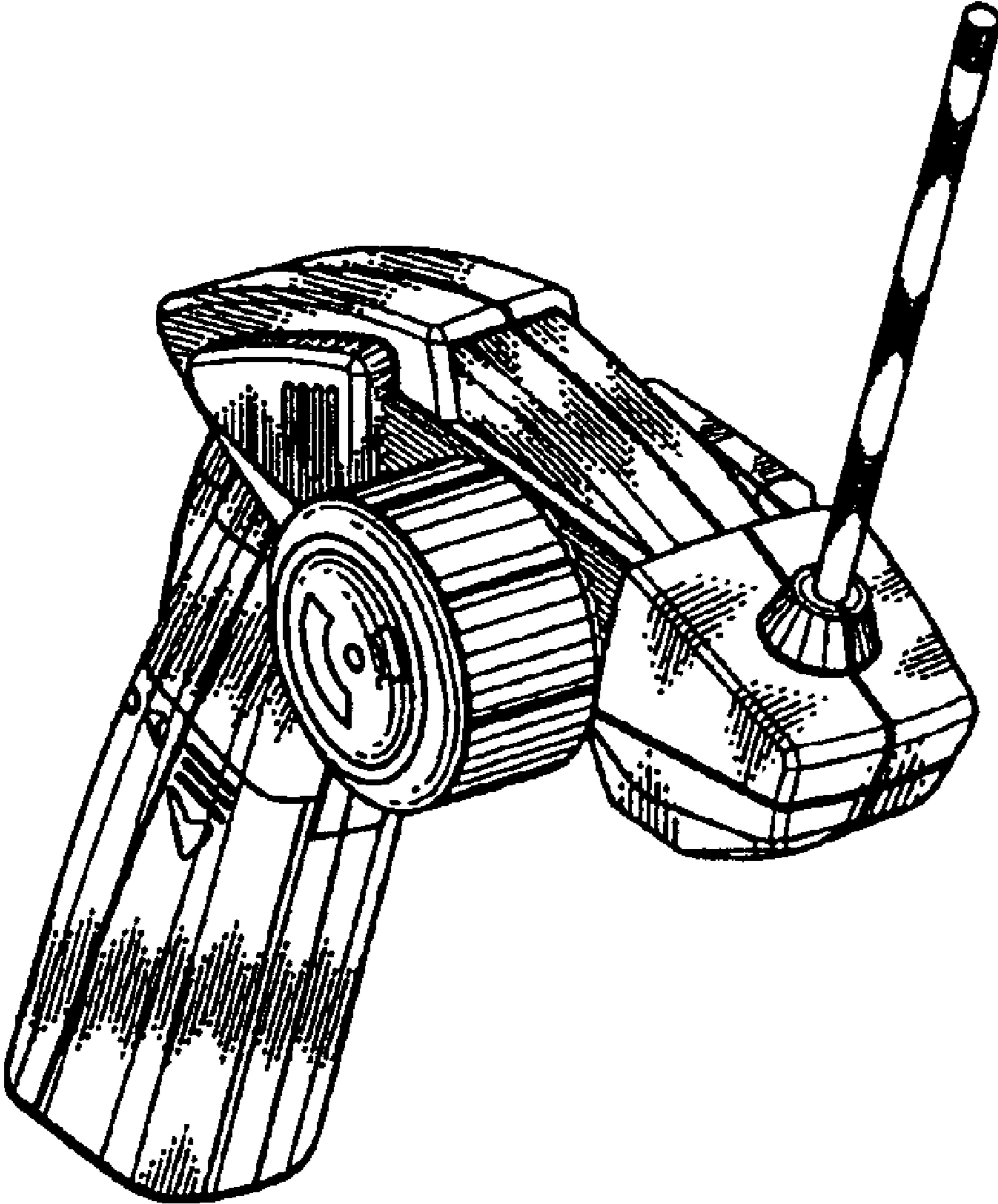


FIG. 1

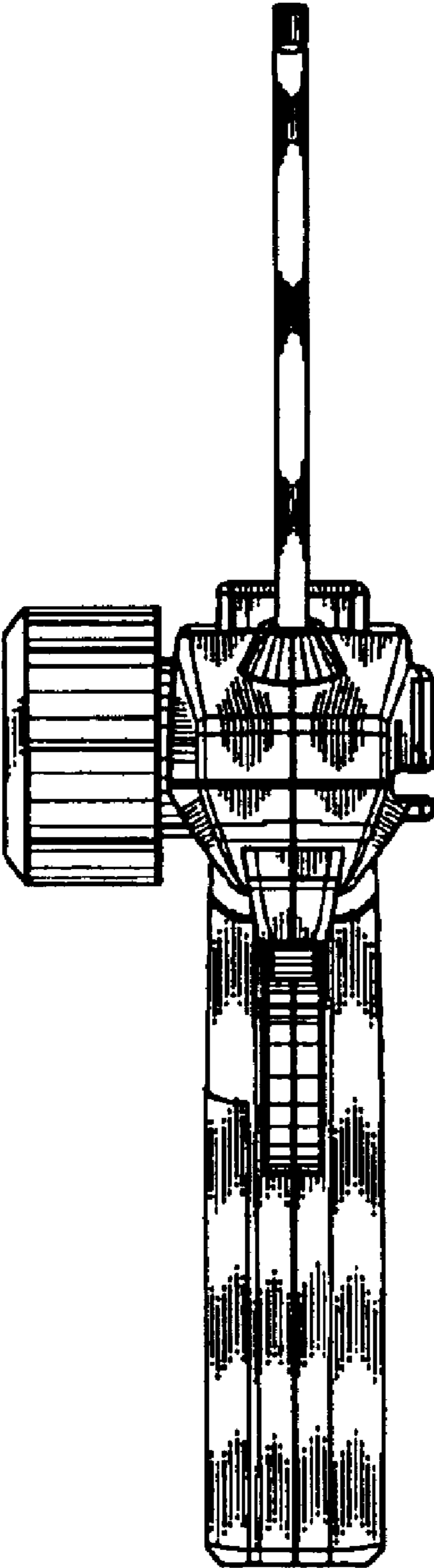


FIG. 2

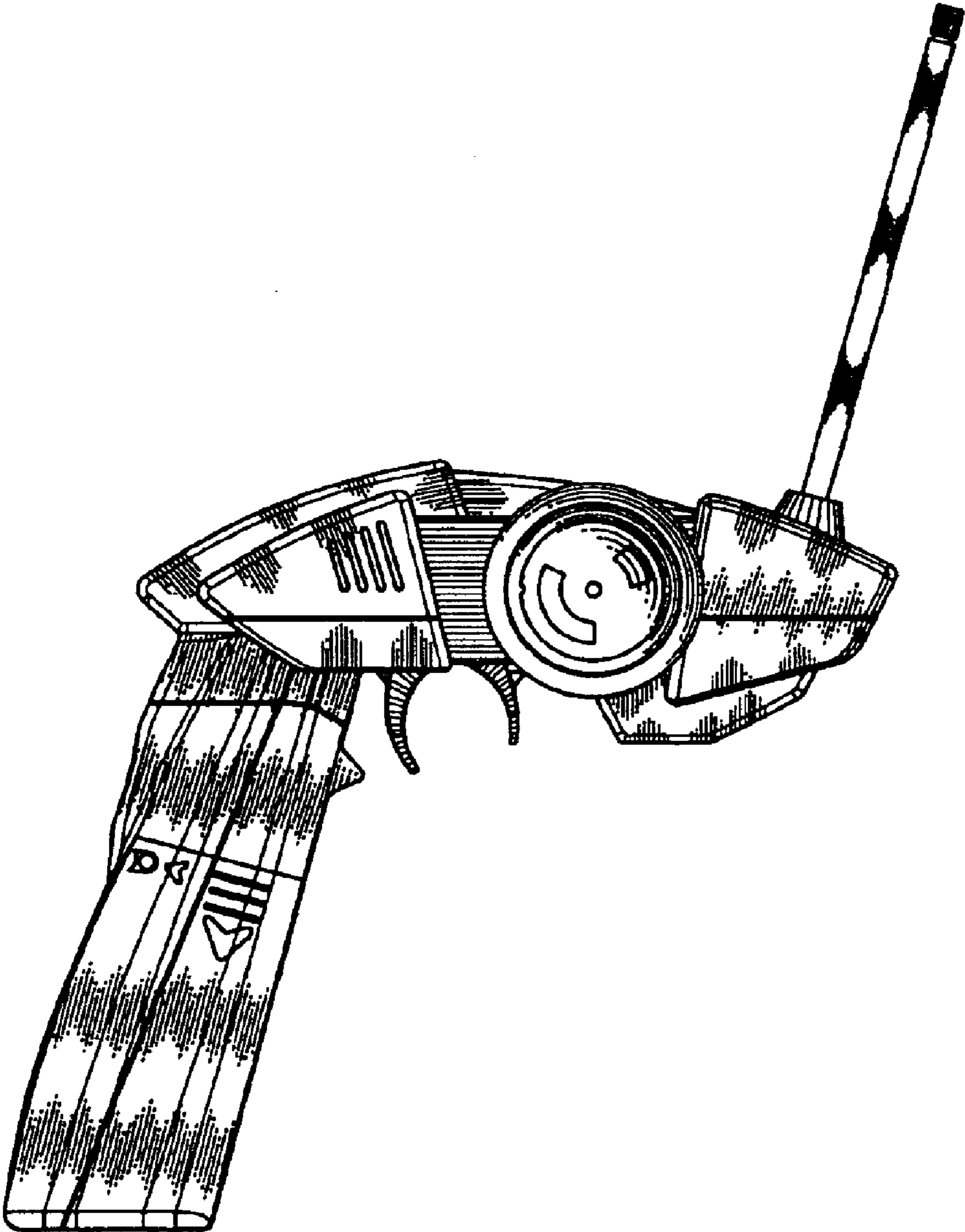


FIG. 3

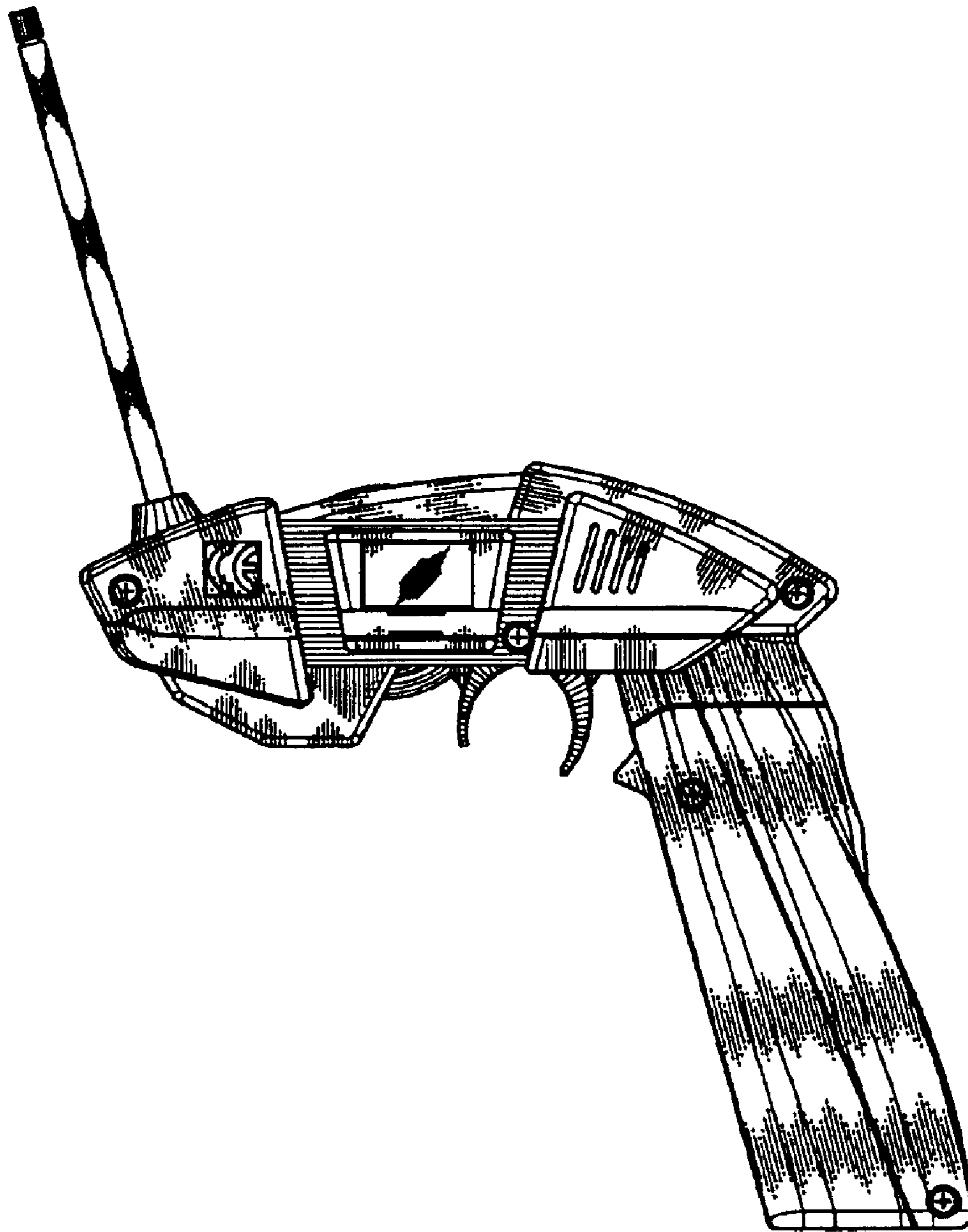


FIG. 4

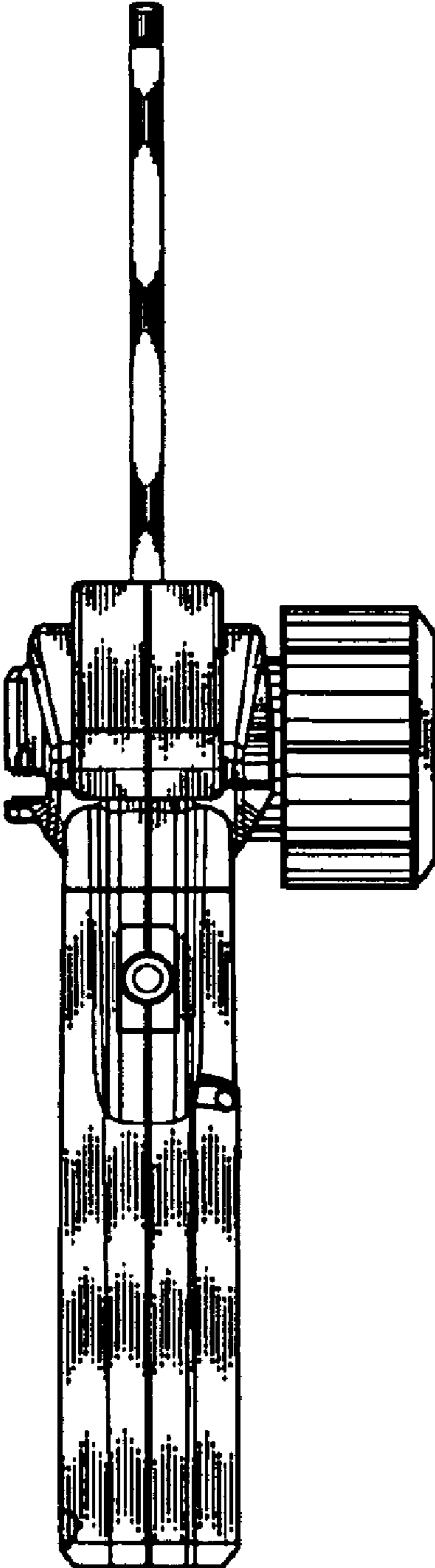


FIG. 5

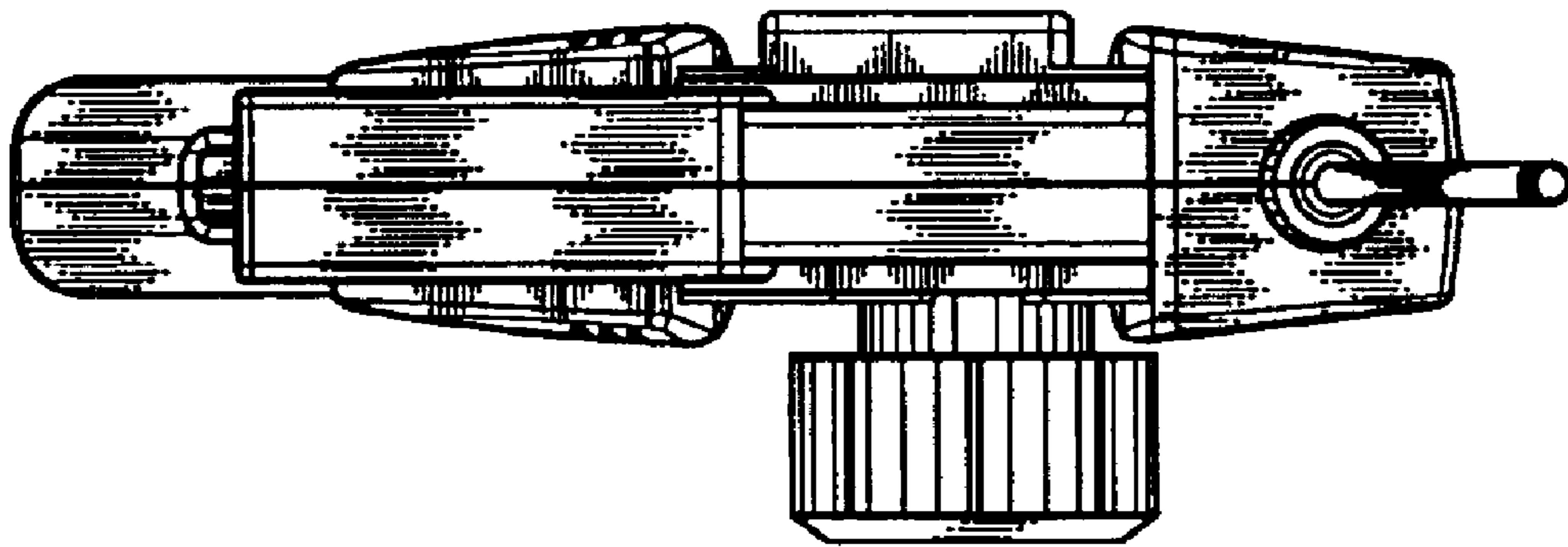


FIG. 6

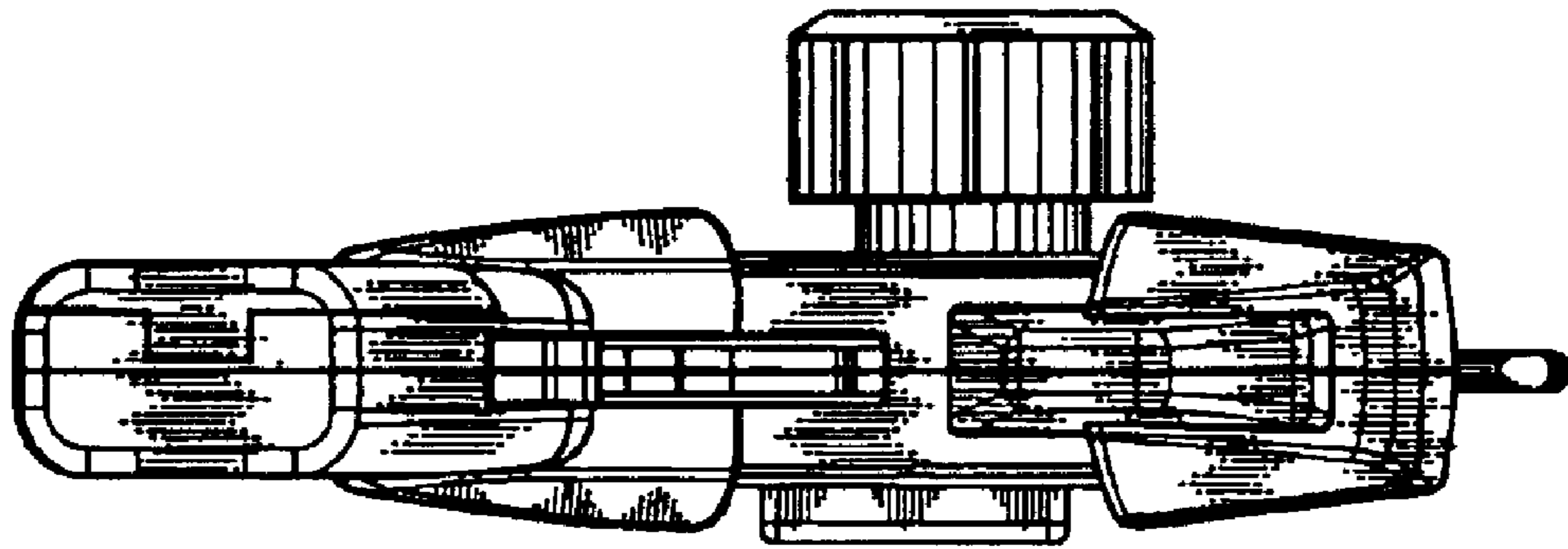


FIG. 7

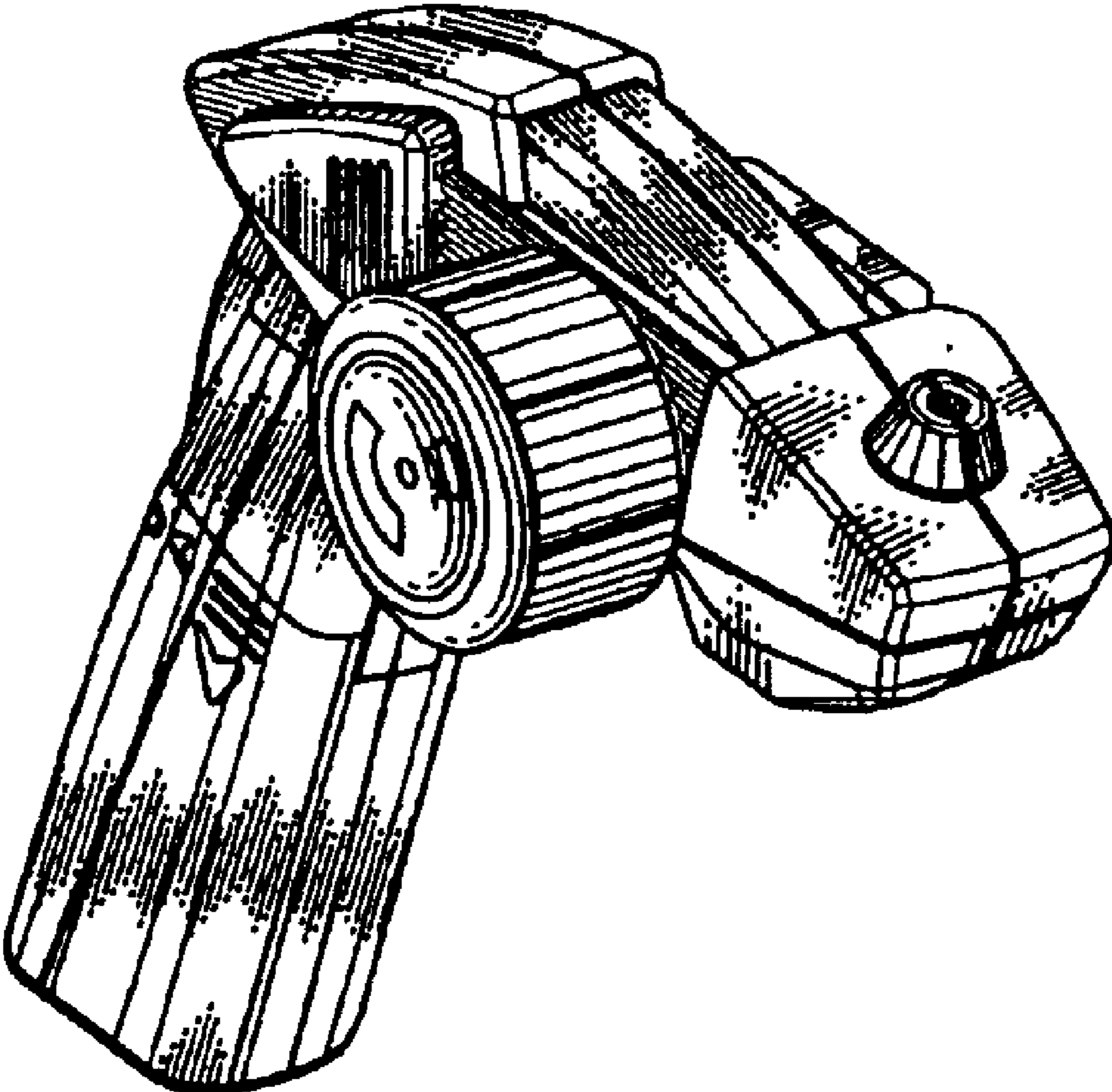


FIG. 8

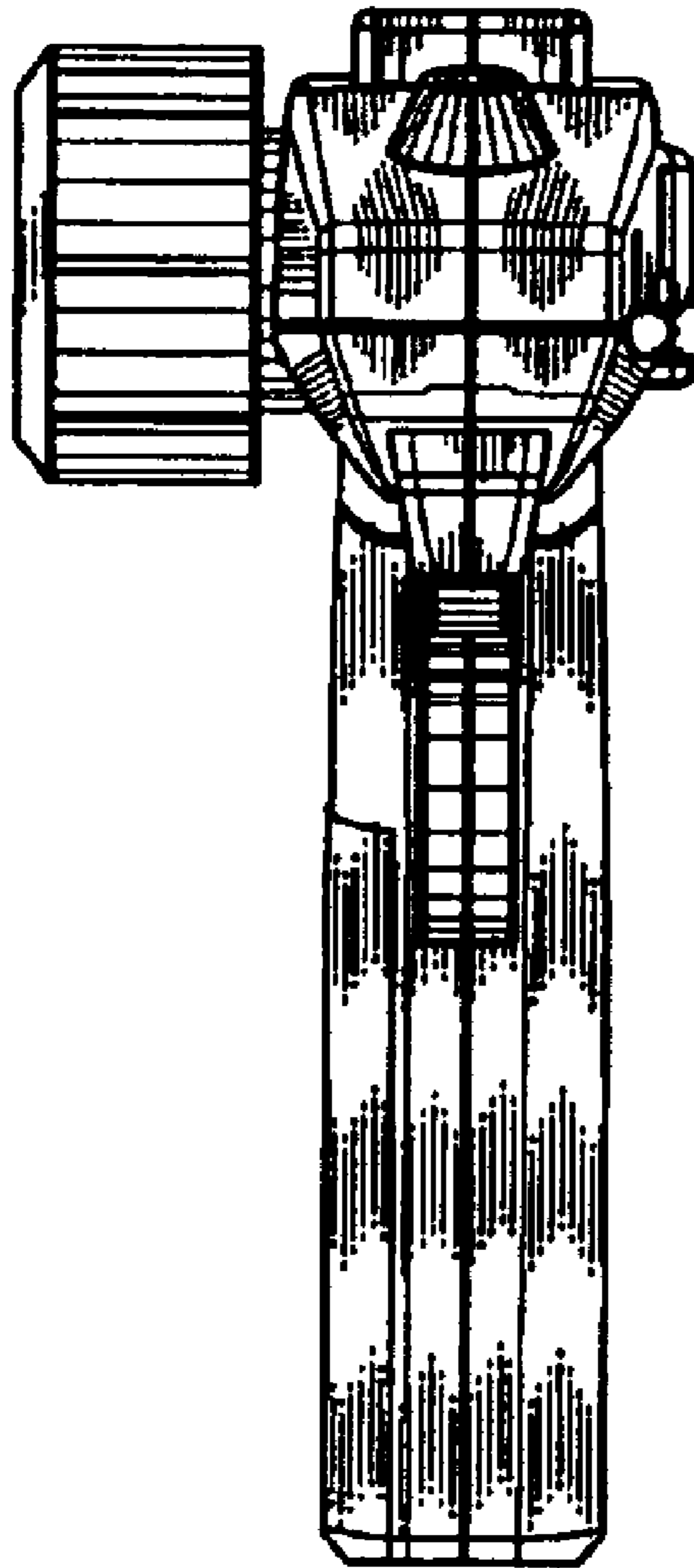


FIG. 9

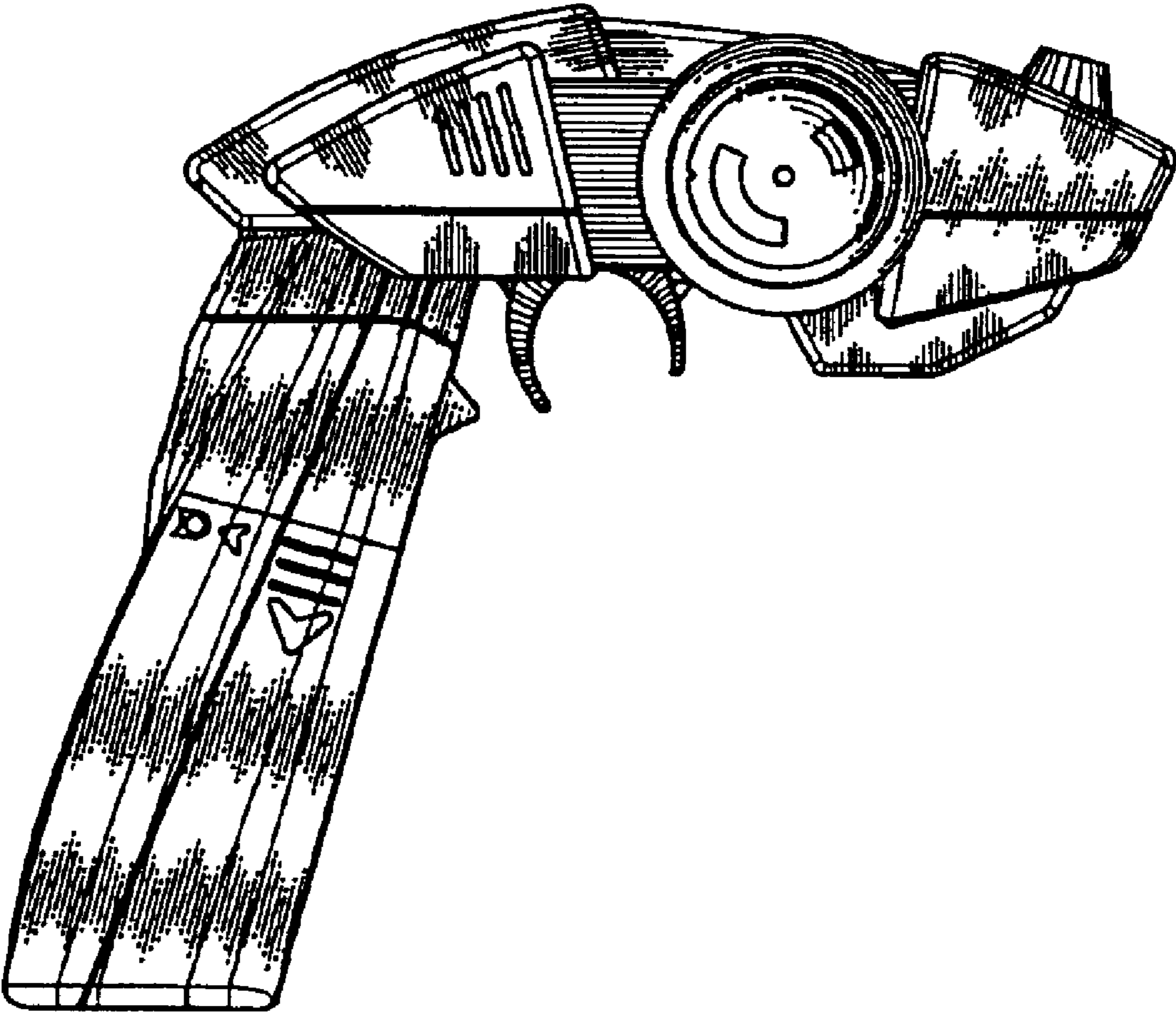


FIG. 10

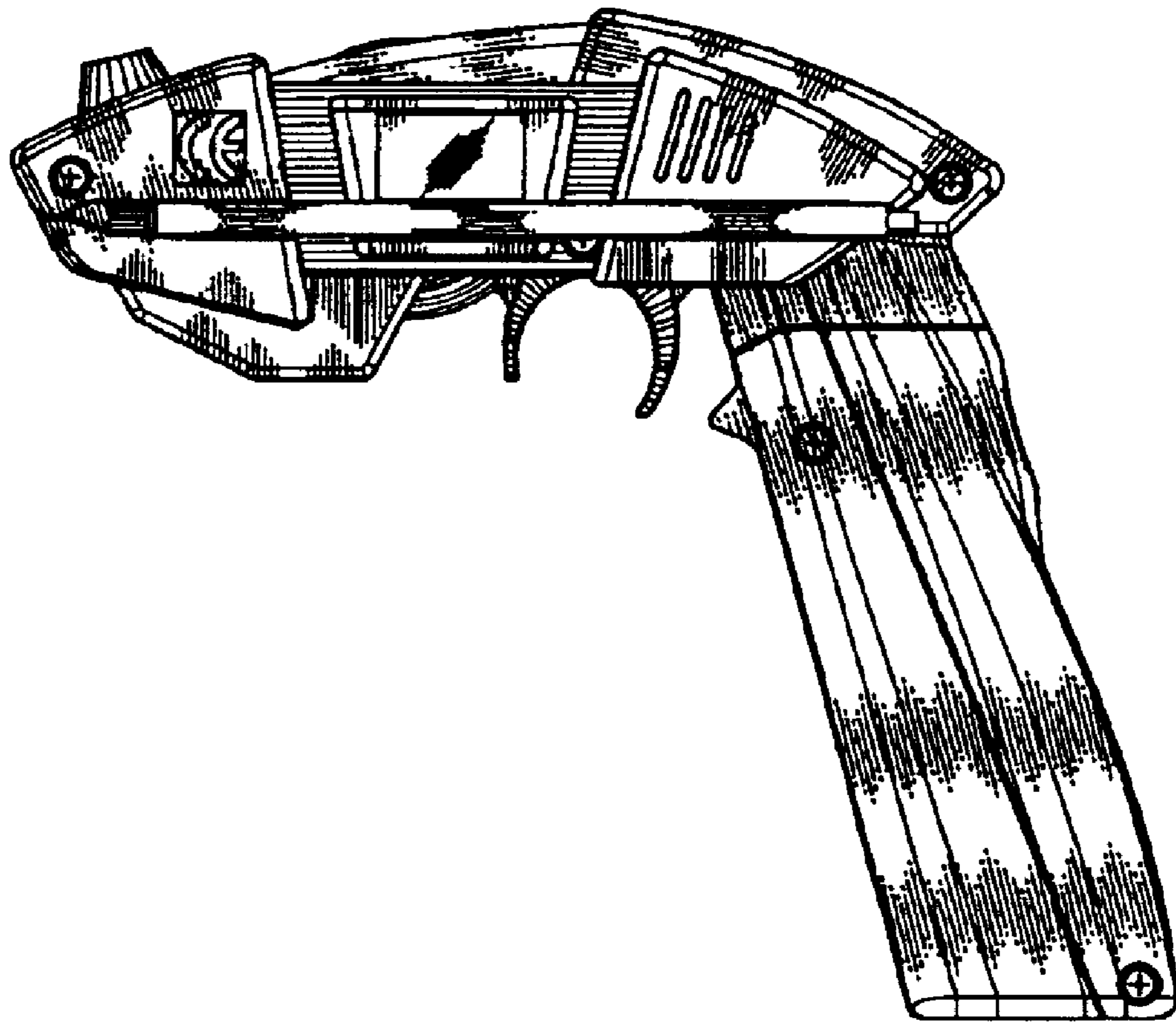


FIG. 11

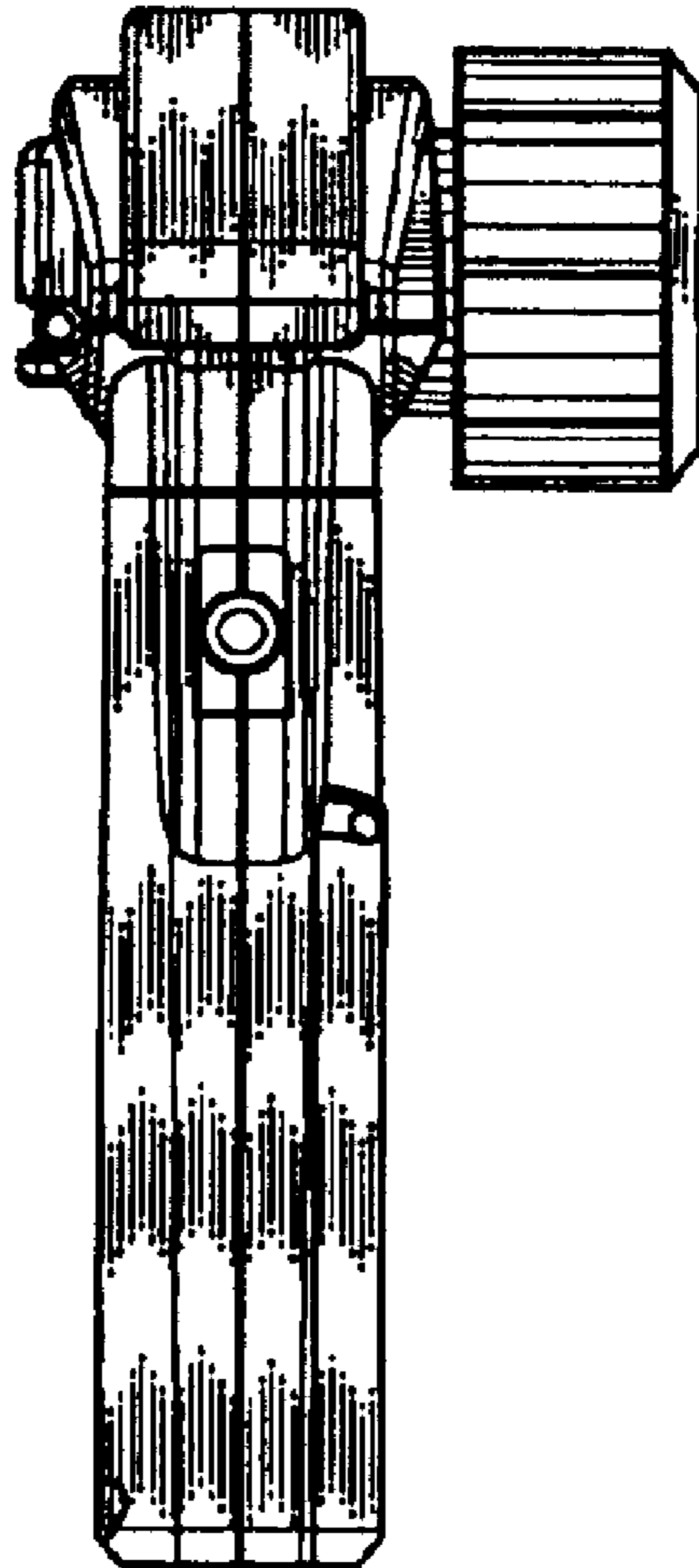


FIG. 12

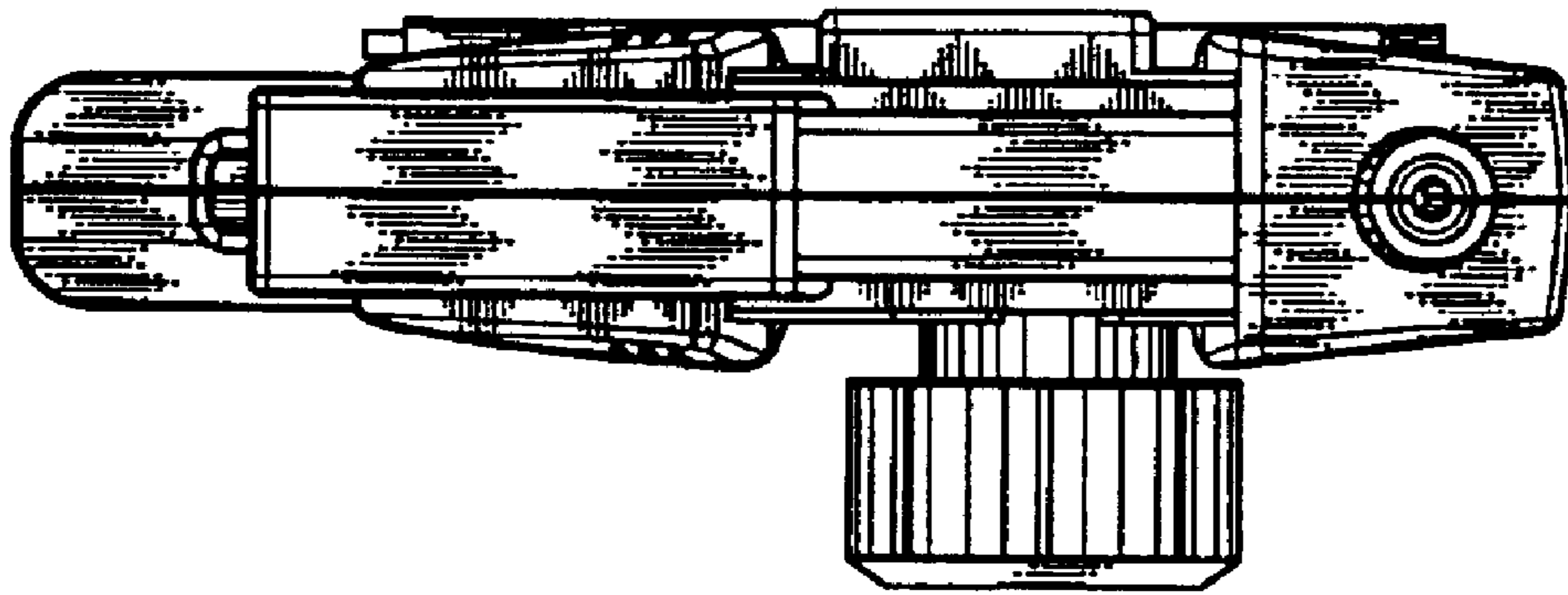


FIG. 13

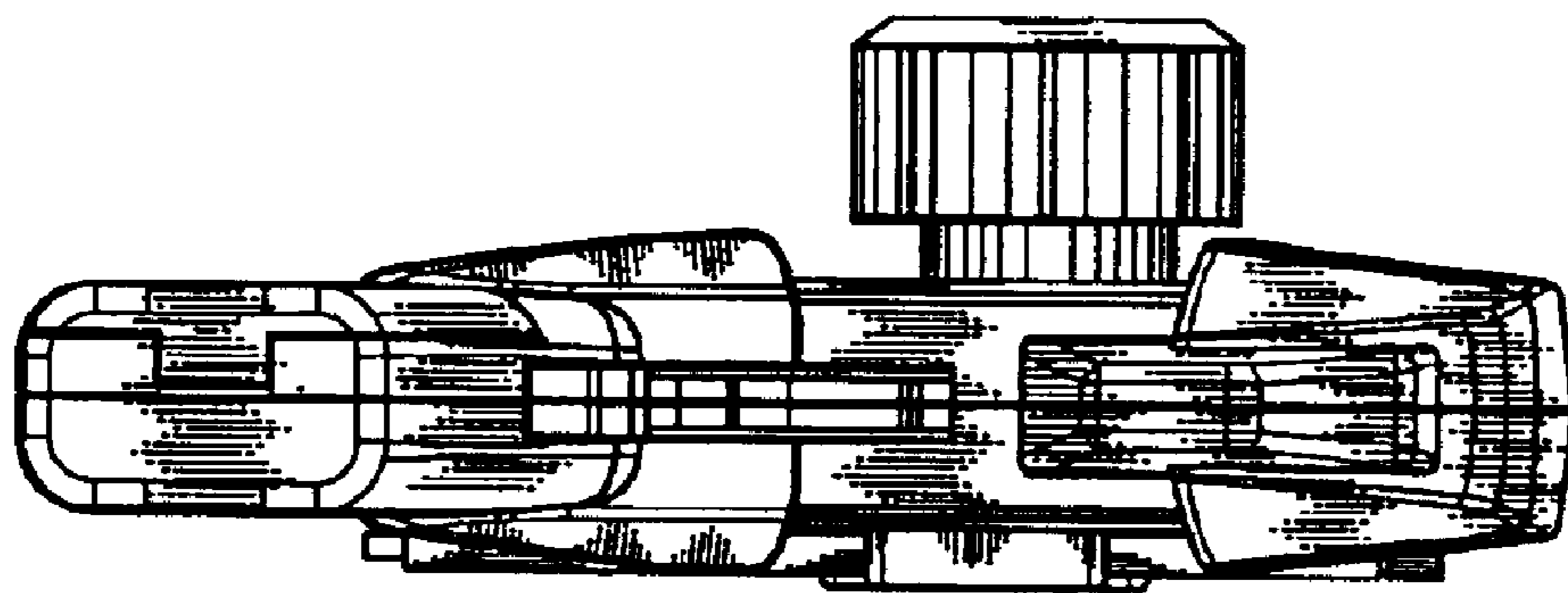


FIG. 14

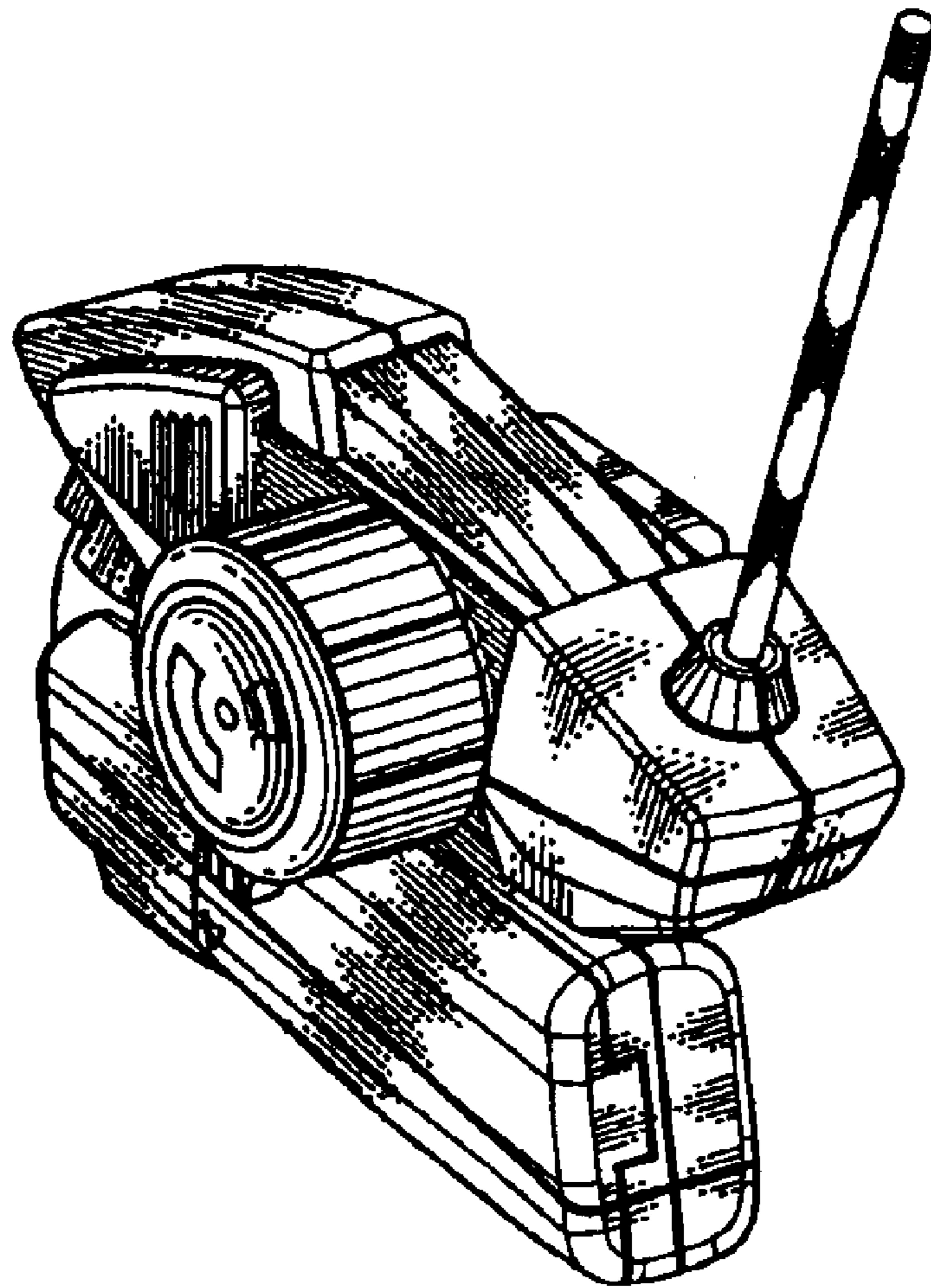


FIG. 15

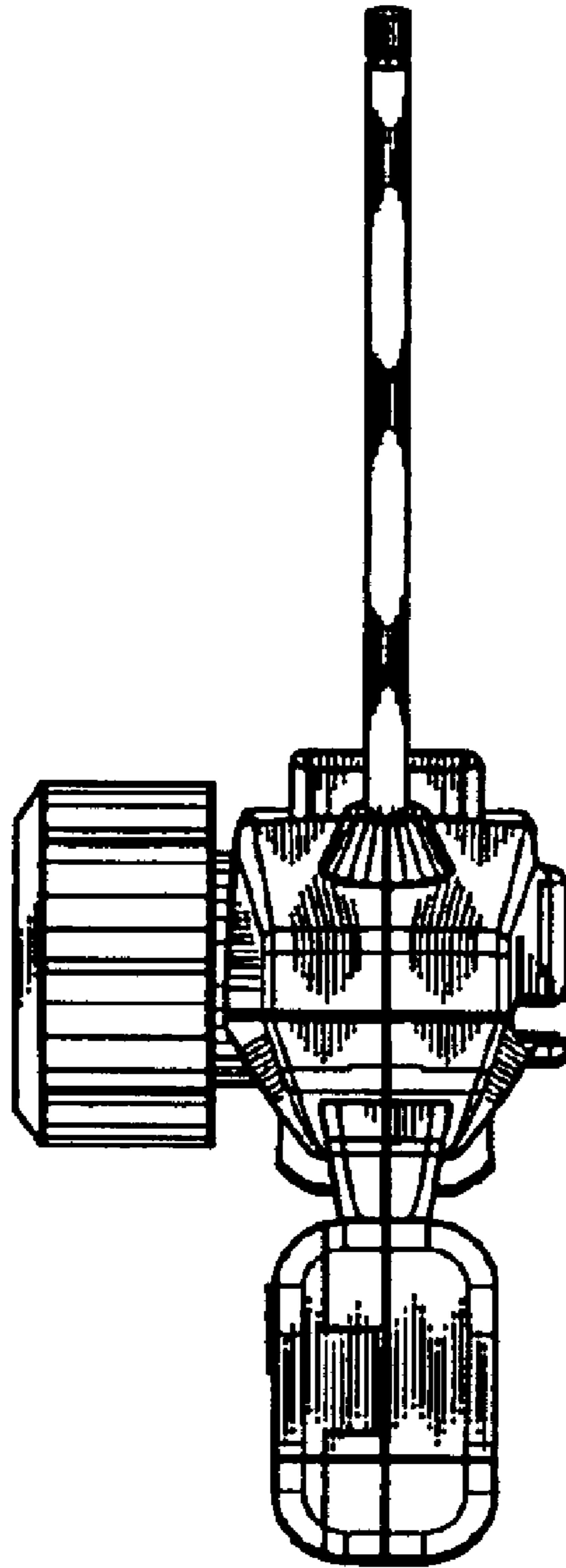


FIG. 16

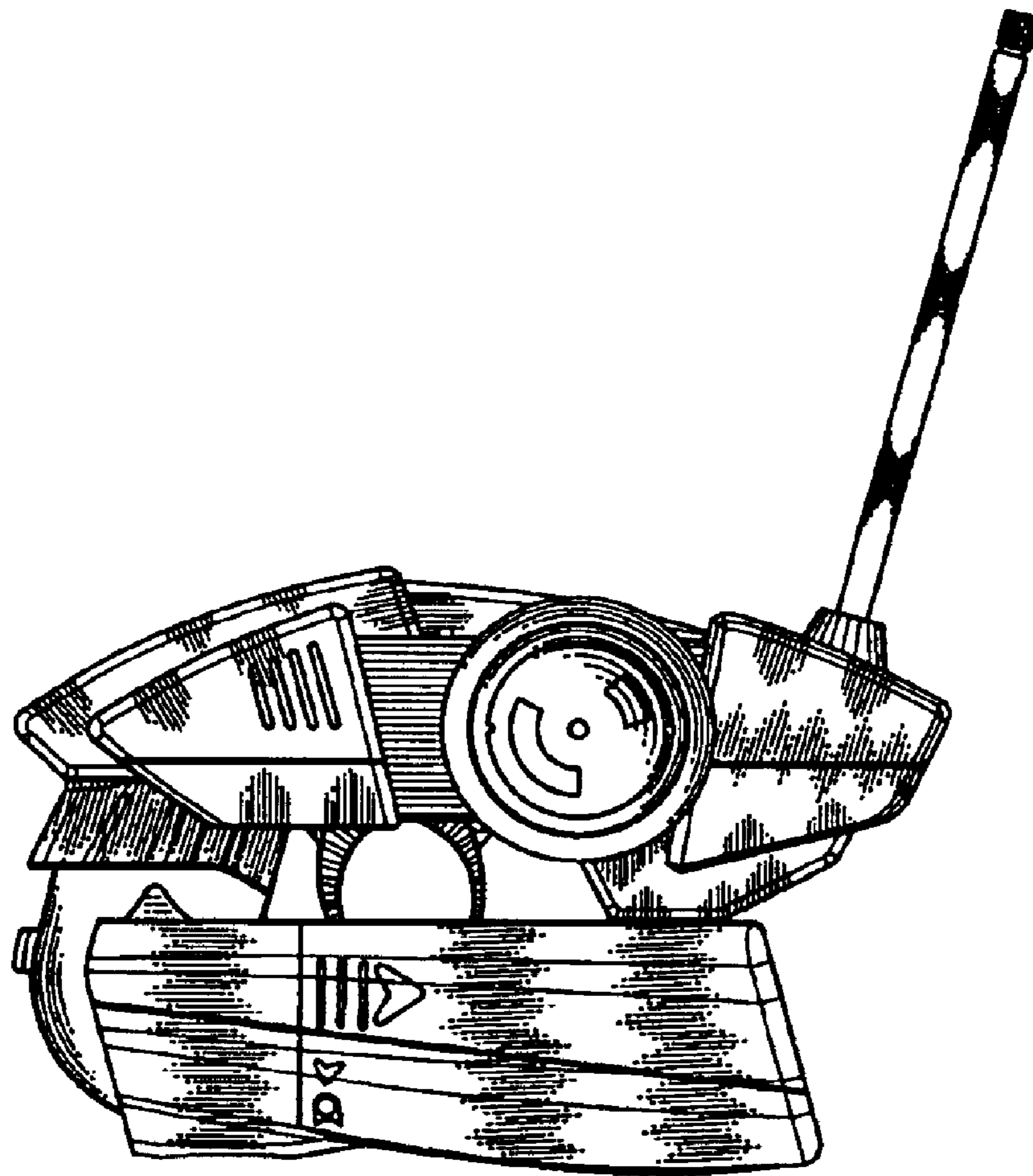


FIG. 17

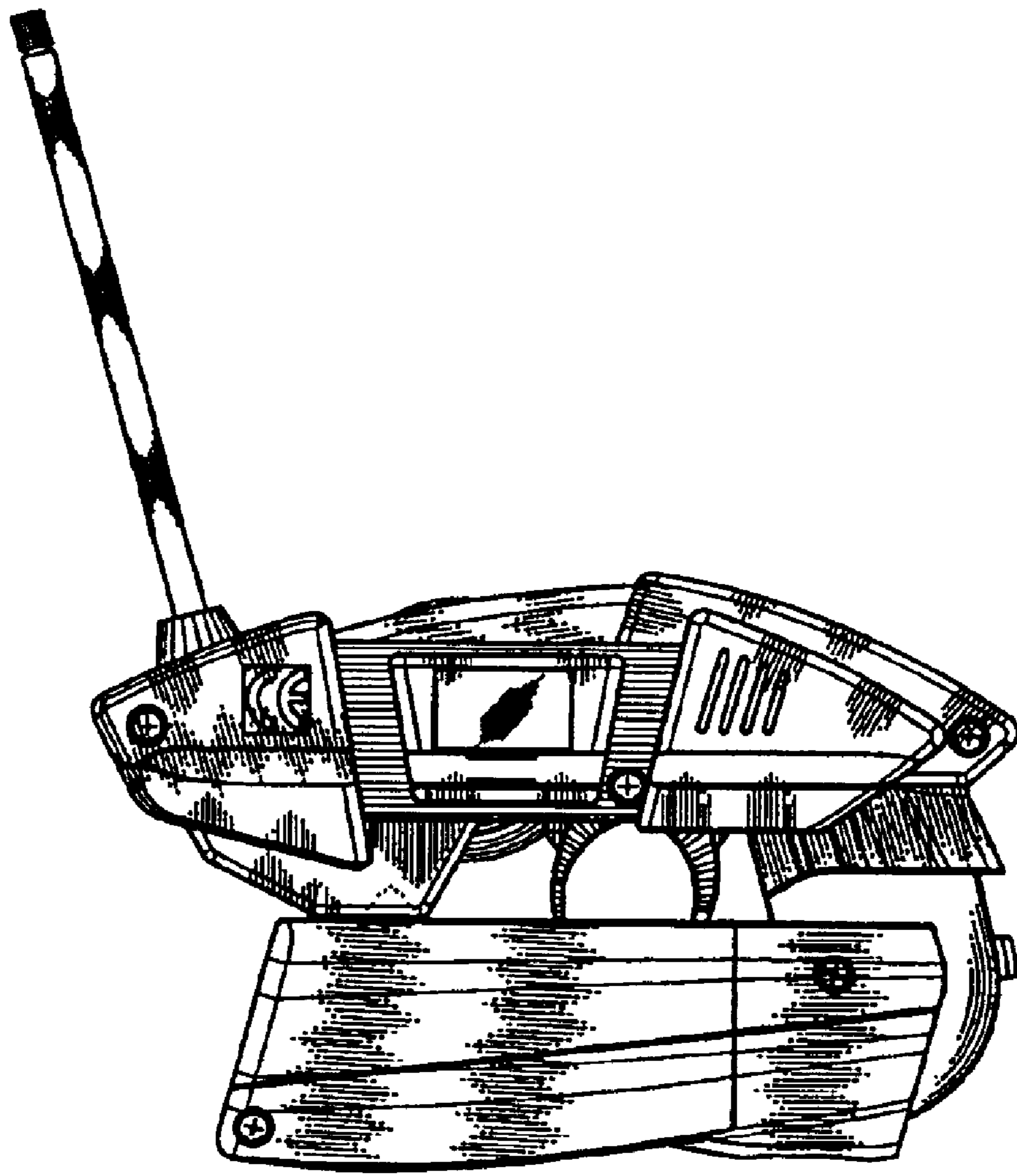


FIG. 18

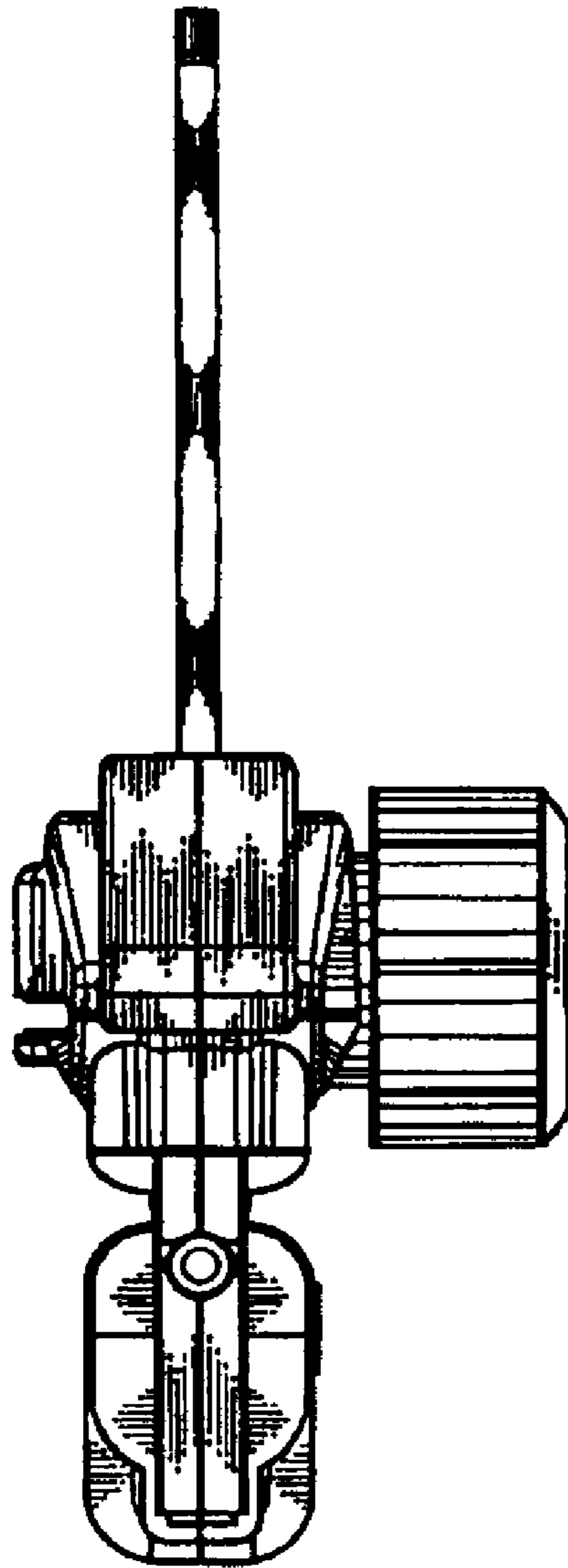


FIG. 19

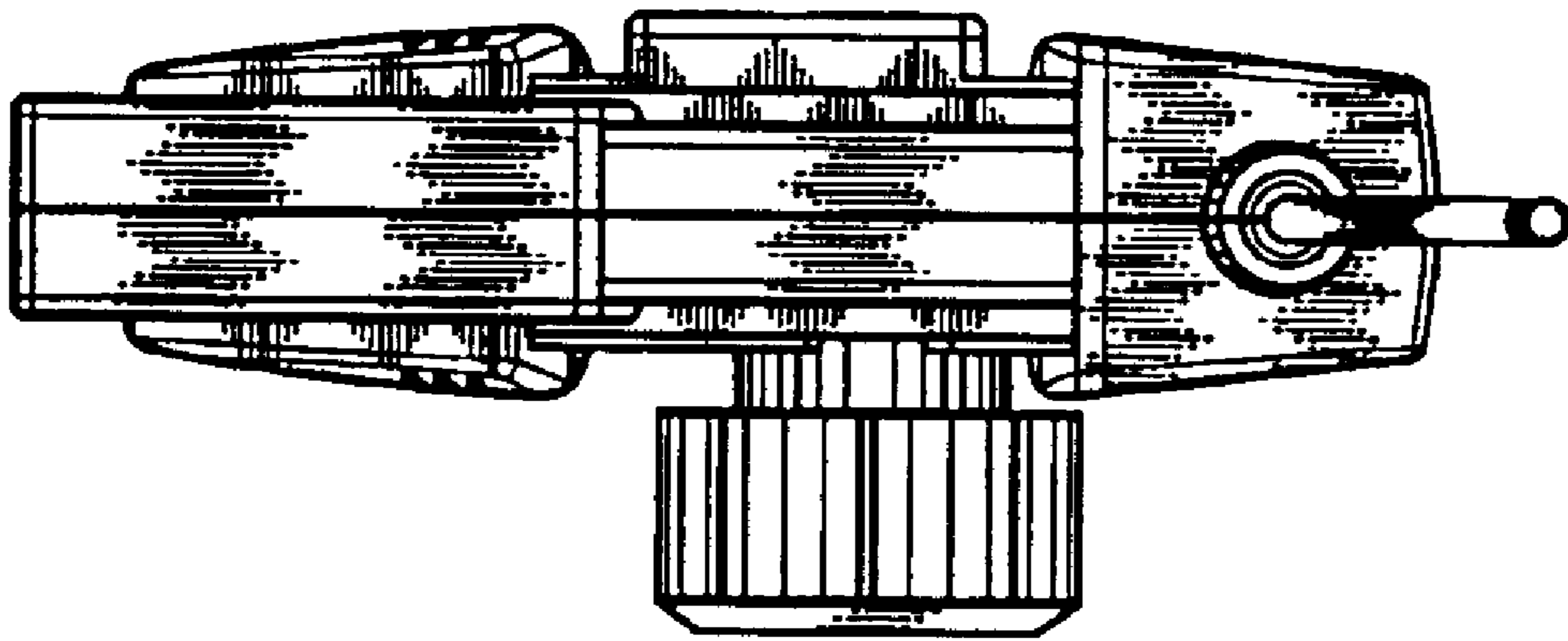


FIG. 20

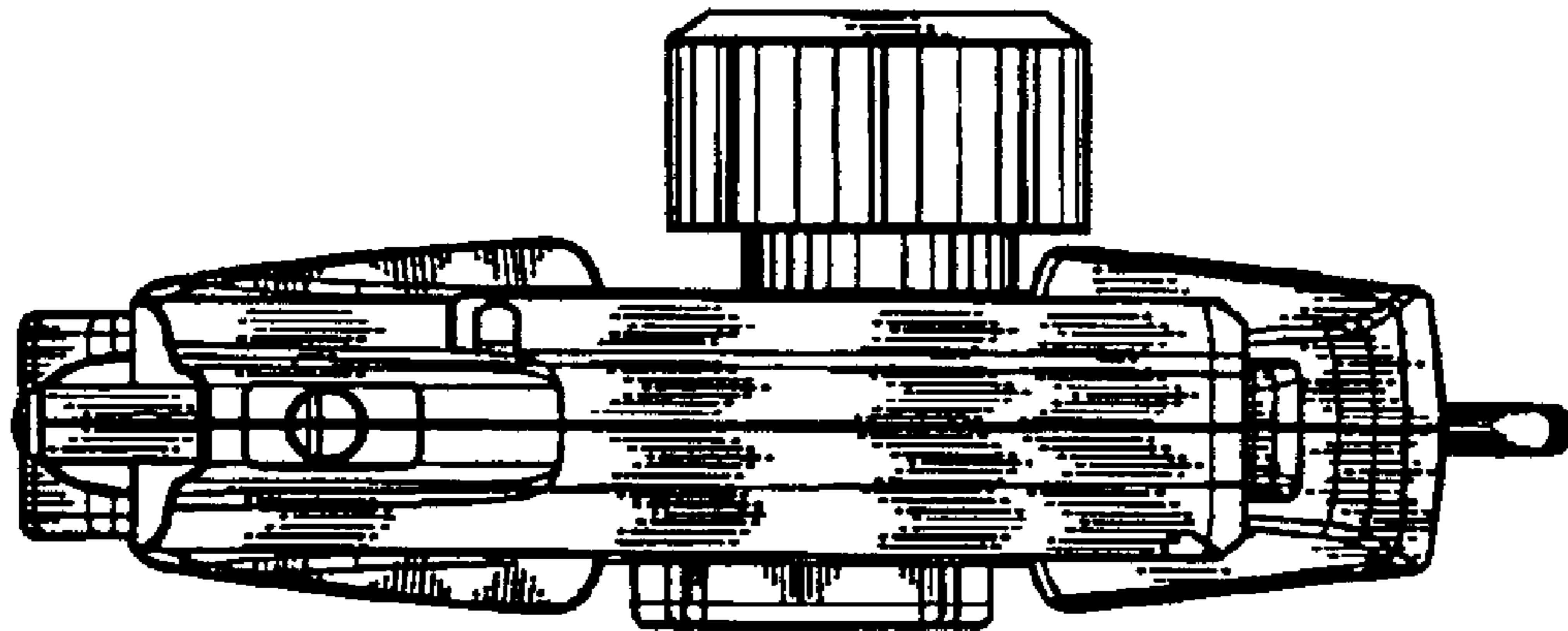


FIG. 21

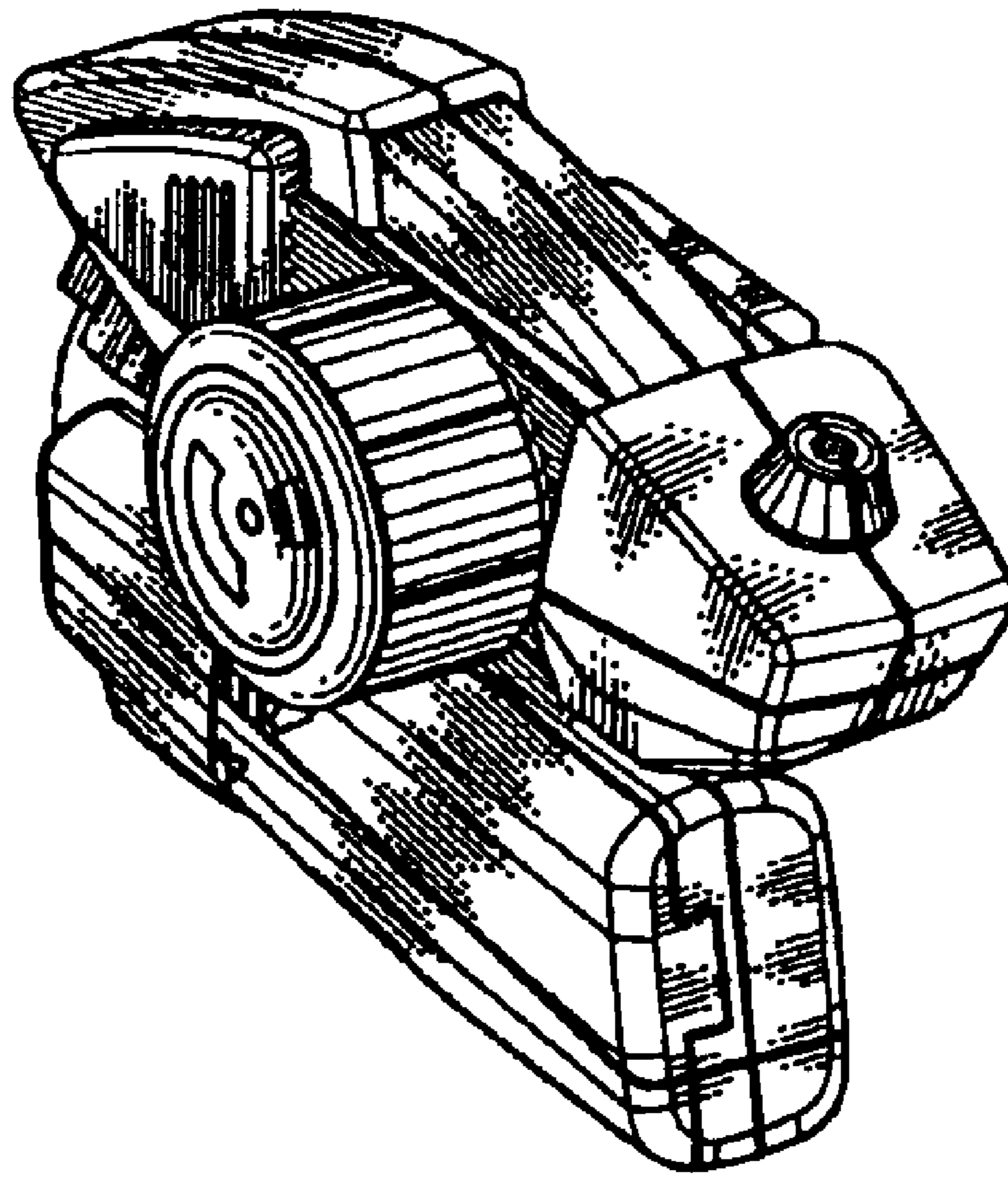


FIG. 22

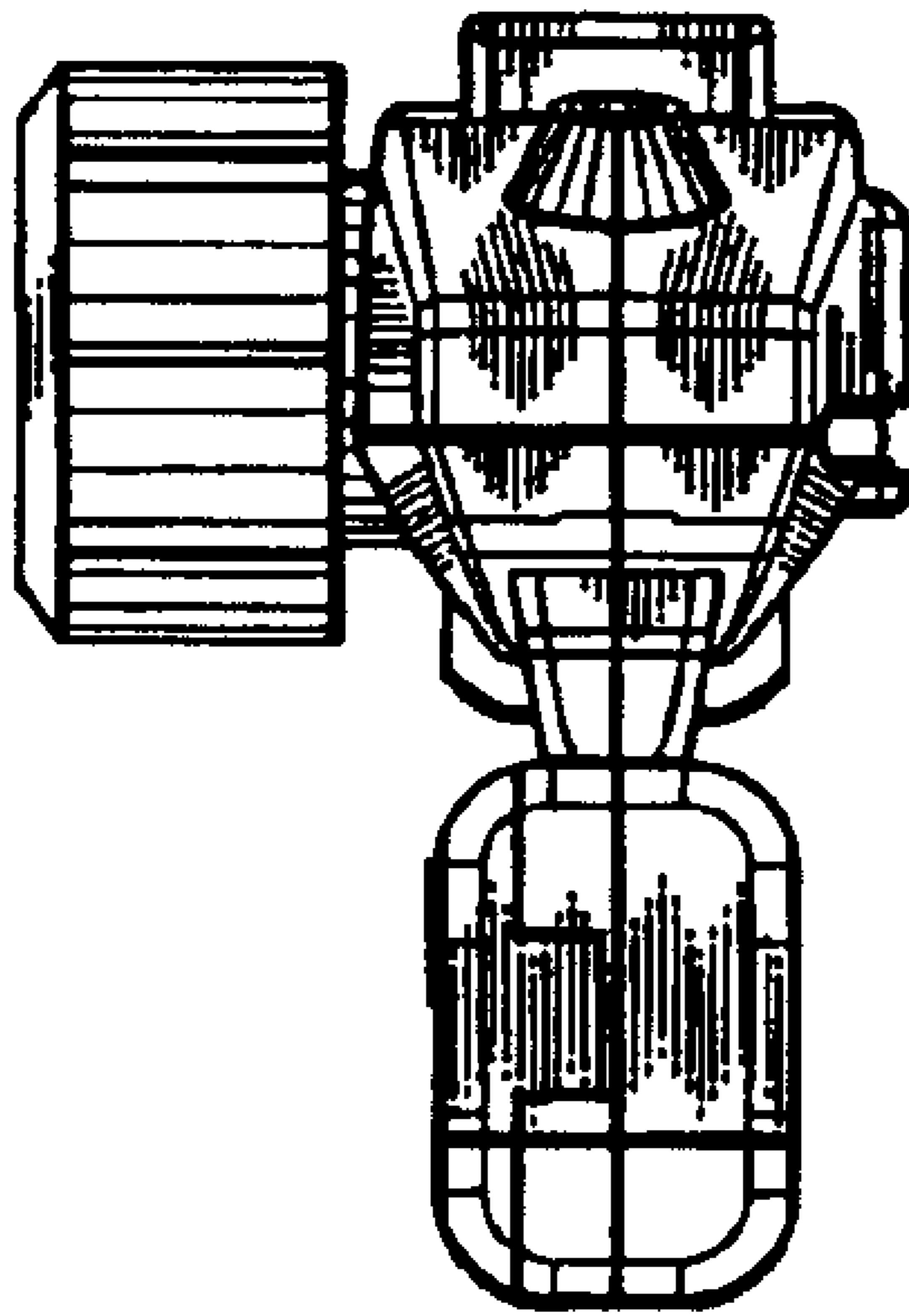


FIG. 23

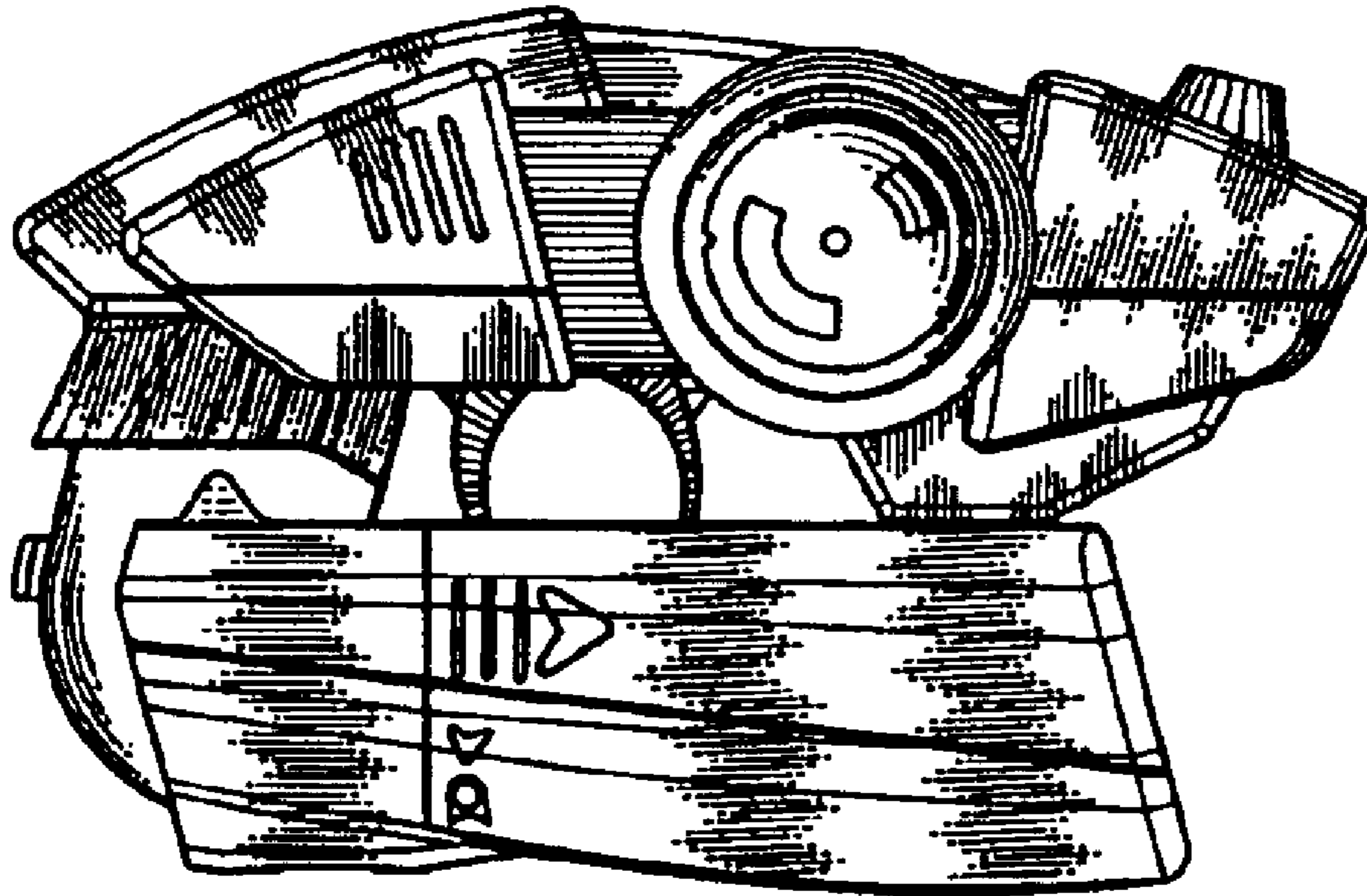


FIG. 24

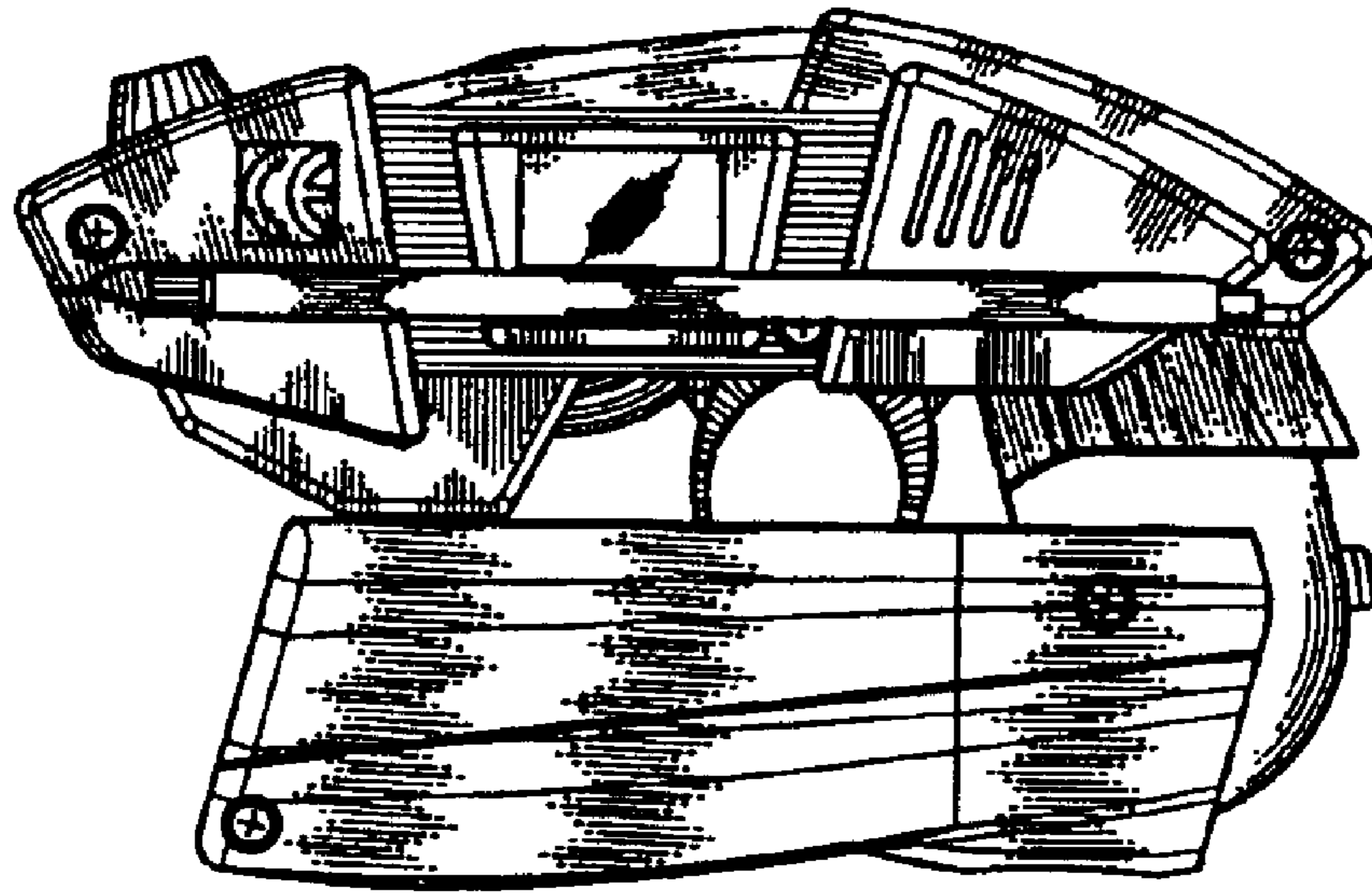


FIG. 25

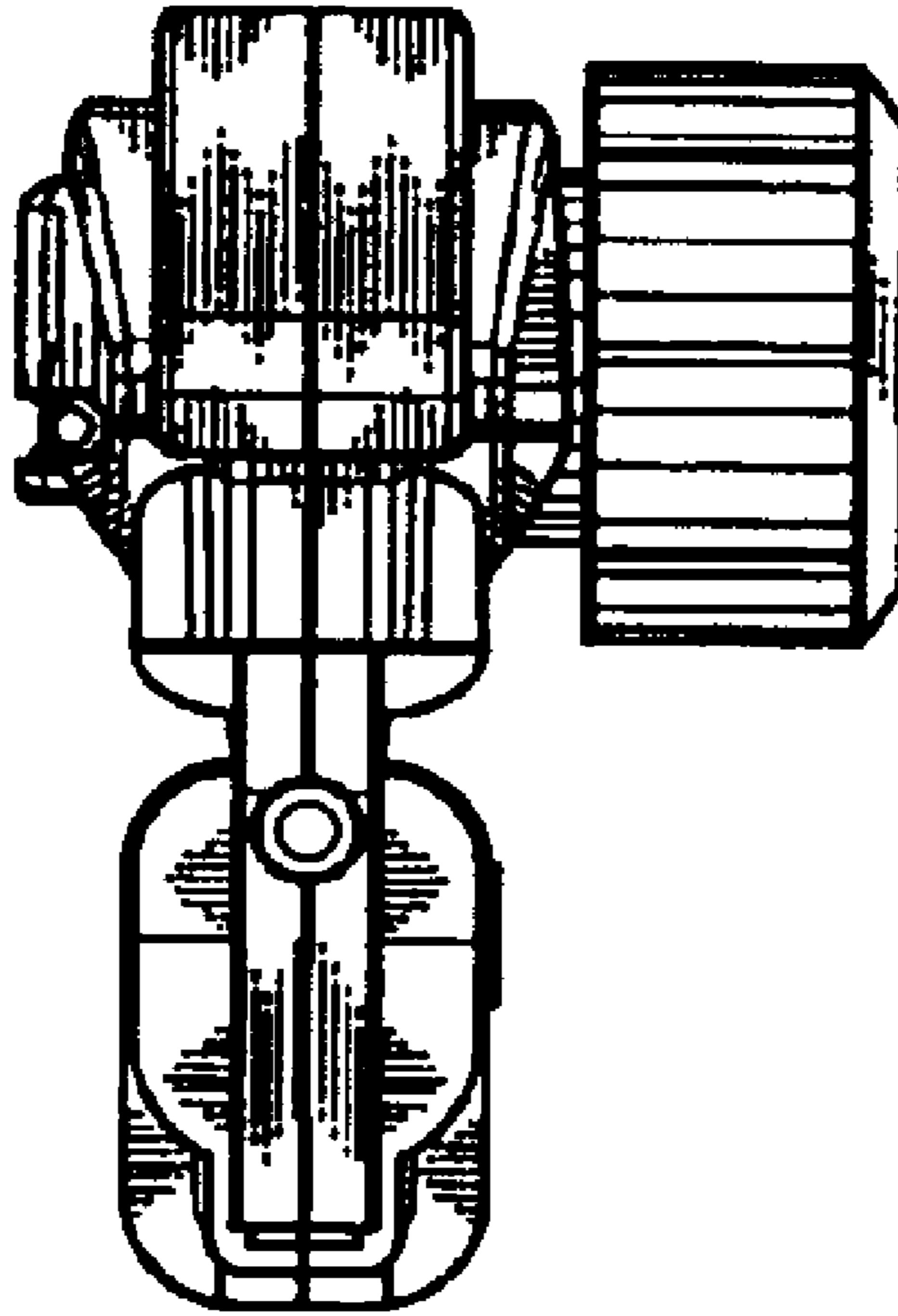


FIG. 26

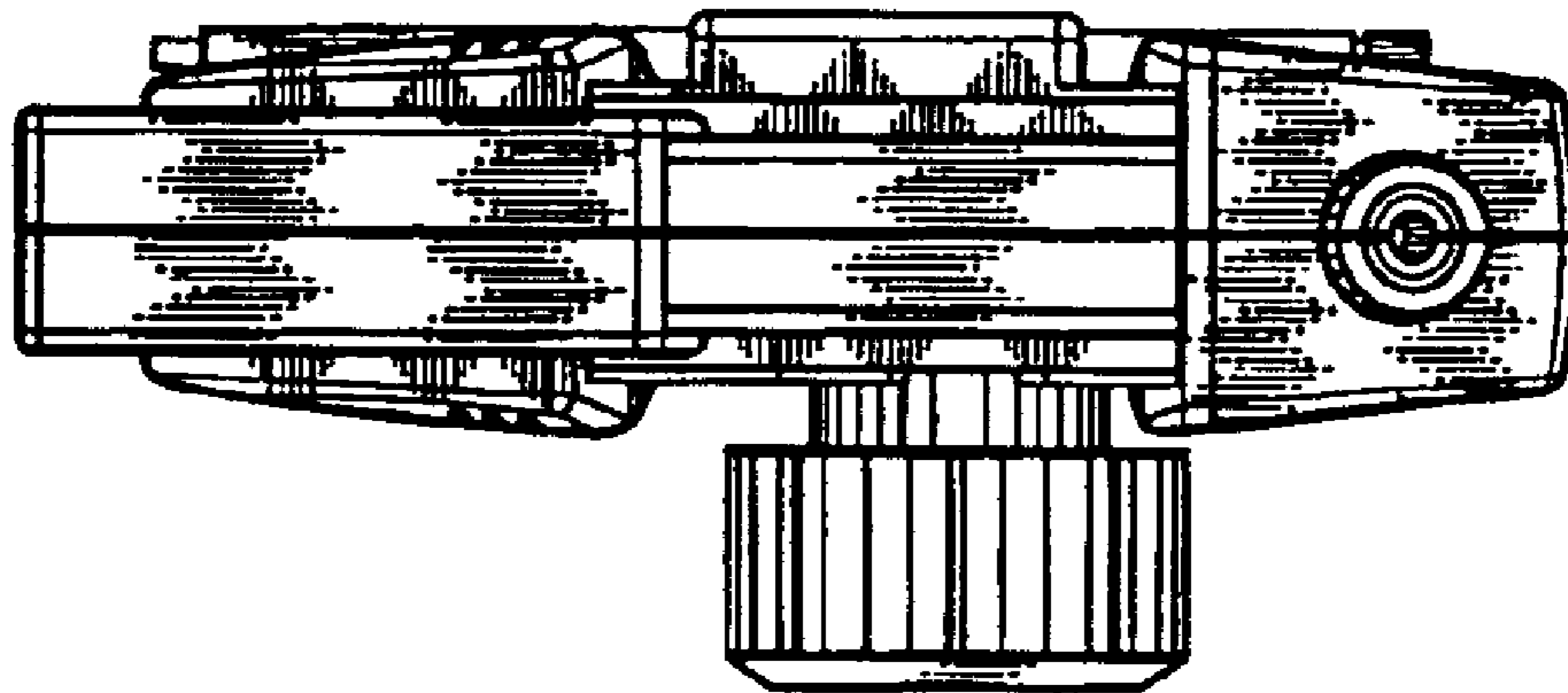


FIG. 27

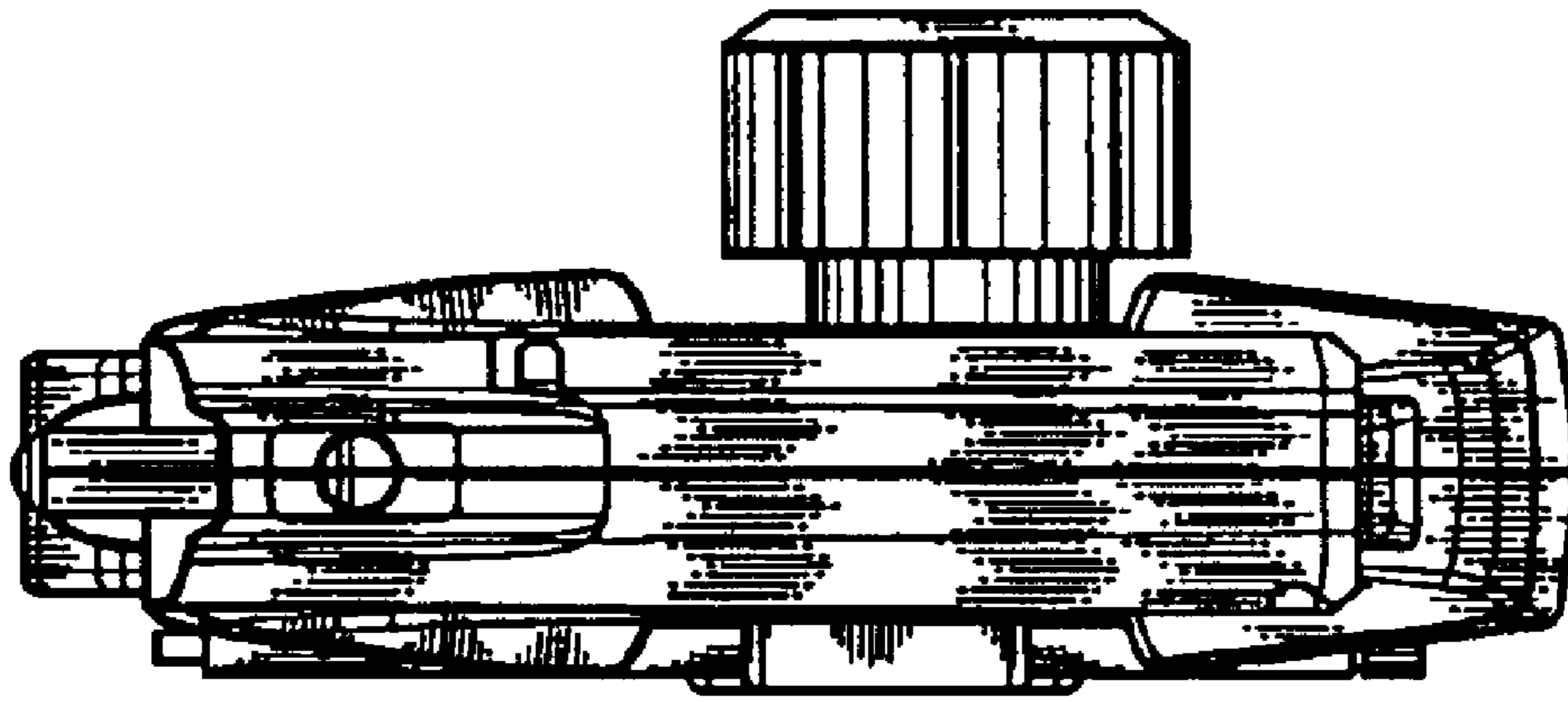


FIG. 28