

US00D502966S

(12) **United States Design Patent**
çakir et al.

(10) **Patent No.:** **US D502,966 S**
(45) **Date of Patent:** **** Mar. 15, 2005**

(54) **MAGAZINE BOX**

(75) Inventors: **Adem çakir**, Yildirim/Bursa (TR);
Orhan Bizim, Yildirim/Bursa (TR)

(73) Assignee: **M3 Mobil Ya Insaat Taahhut Temizlik ve Kimyevi Madde Gida Tkstil Sanayi ve Ticaret Limited Sirketi**, Yildiryim/Bursa (TR)

(**) Term: **14 Years**

(21) Appl. No.: **29/205,490**

(22) Filed: **May 17, 2004**

(51) **LOC (7) Cl.** **19-02**

(52) **U.S. Cl.** **D19/90; D19/91; D6/475**

(58) **Field of Search** D19/65, 75, 76, D19/78, 86, 90, 91, 95, 99, 100; D6/475, 466, 467; 211/10, 11, 13.1, 42, 50, 55, 126.13; 206/425, 557; 220/7, 23.4; 229/198, 198.3, 198.1

(56) **References Cited**

U.S. PATENT DOCUMENTS

3,216,426 A * 11/1965 Furrer 211/184

3,455,462 A	*	7/1969	Morgan	211/42
3,592,344 A	*	7/1971	Schade	211/42
D292,957 S	*	12/1987	Brussing	D6/475
4,909,398 A	*	3/1990	Santucci	211/50
D345,762 S	*	4/1994	Bird et al.	D19/90
5,351,826 A	*	10/1994	Chen	206/425
5,372,256 A	*	12/1994	Chen	206/425
D381,691 S	*	7/1997	Miyake	D19/90
D406,607 S	*	3/1999	Karten	D19/99
D420,051 S	*	2/2000	Conley et al.	D19/90

* cited by examiner

Primary Examiner—Martie K. Holtje

(74) *Attorney, Agent, or Firm*—Harrison & Egbert

(57) **CLAIM**

We claim the ornamental design for a magazine box, as shown and described.

DESCRIPTION

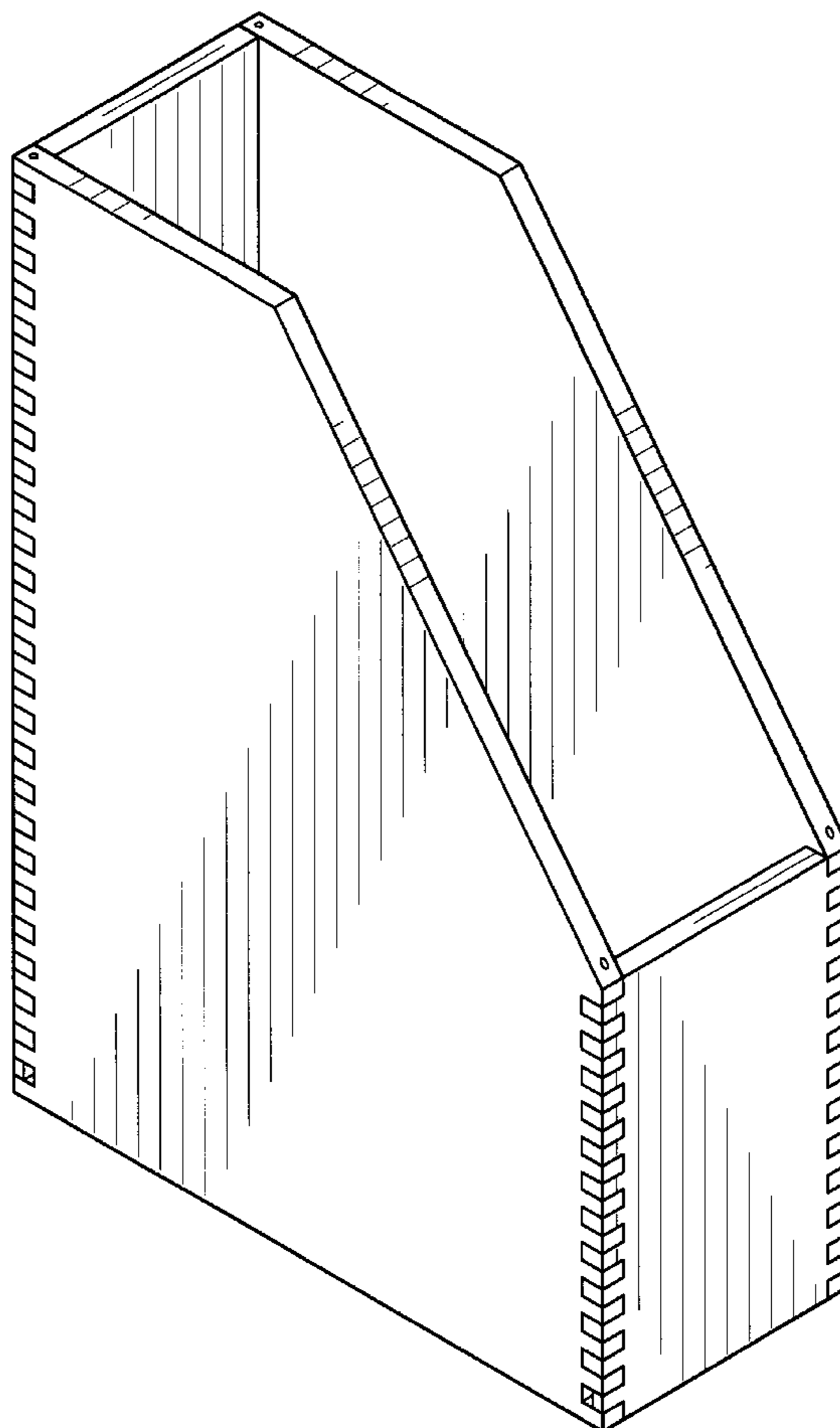
FIG. 1 is a left front perspective view of a magazine box showing our new design;

FIG. 2 is a right front perspective view thereof;

FIG. 3 is a right rear perspective view thereof; and,

FIG. 4 is a left rear perspective view thereof.

1 Claim, 4 Drawing Sheets



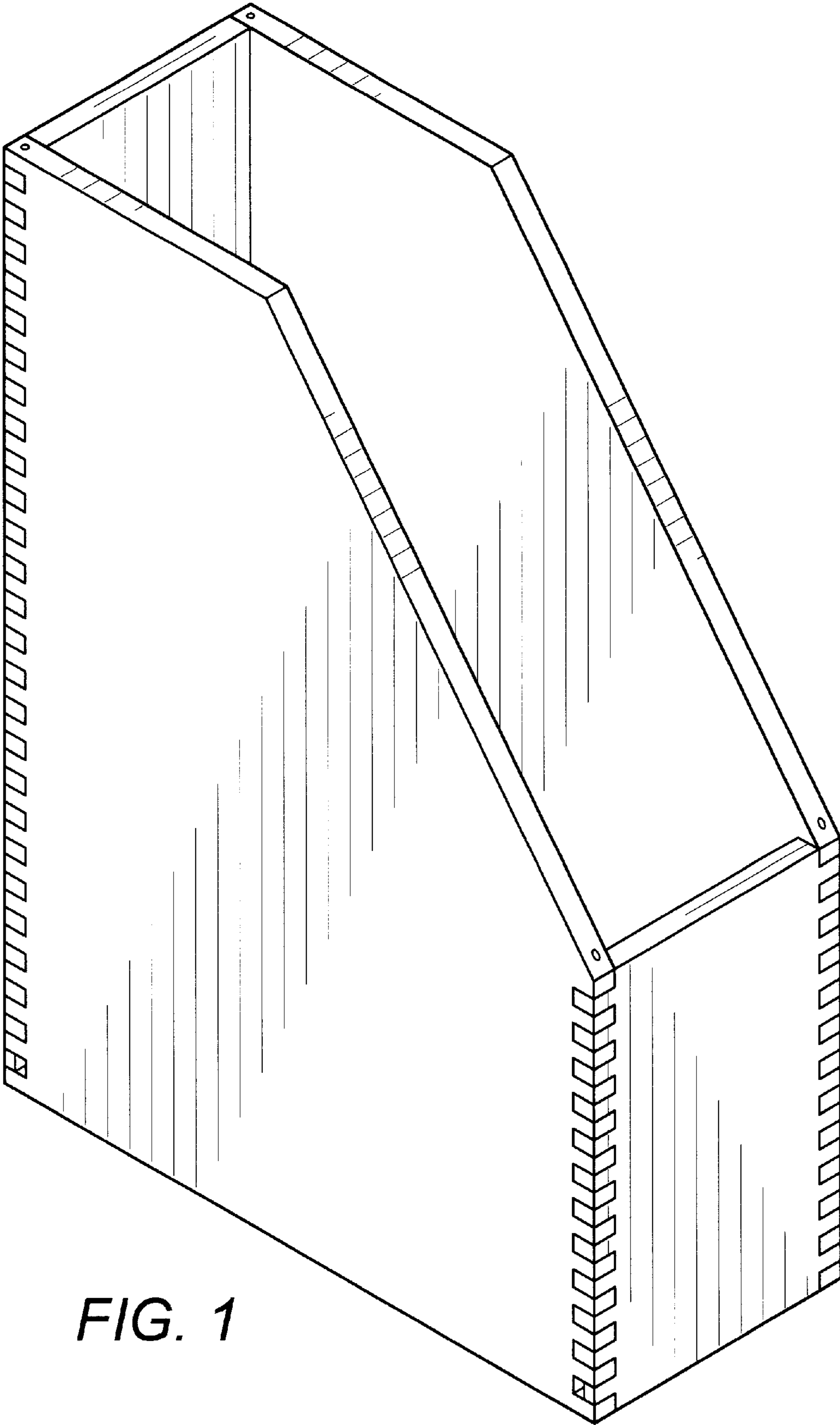


FIG. 1

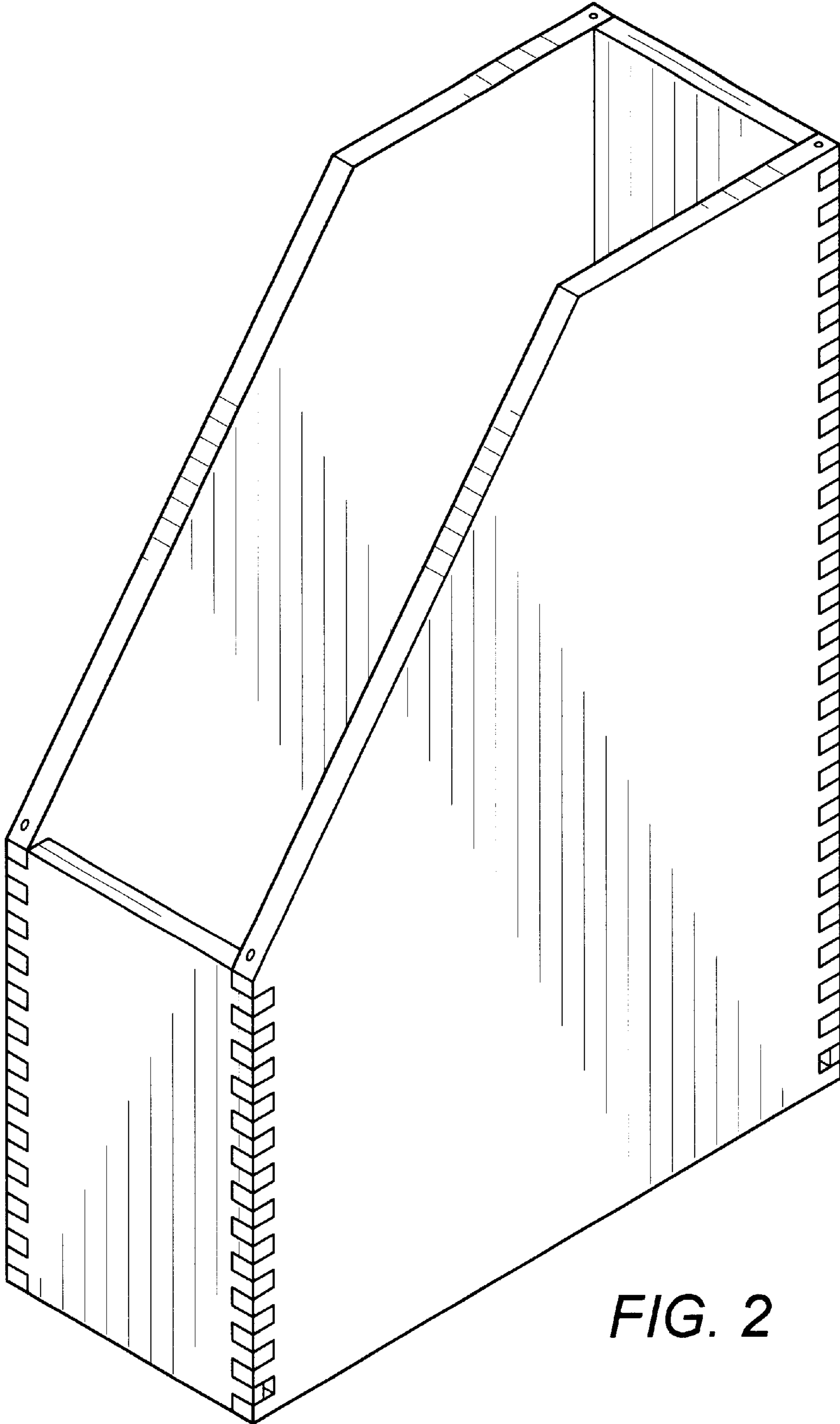


FIG. 2

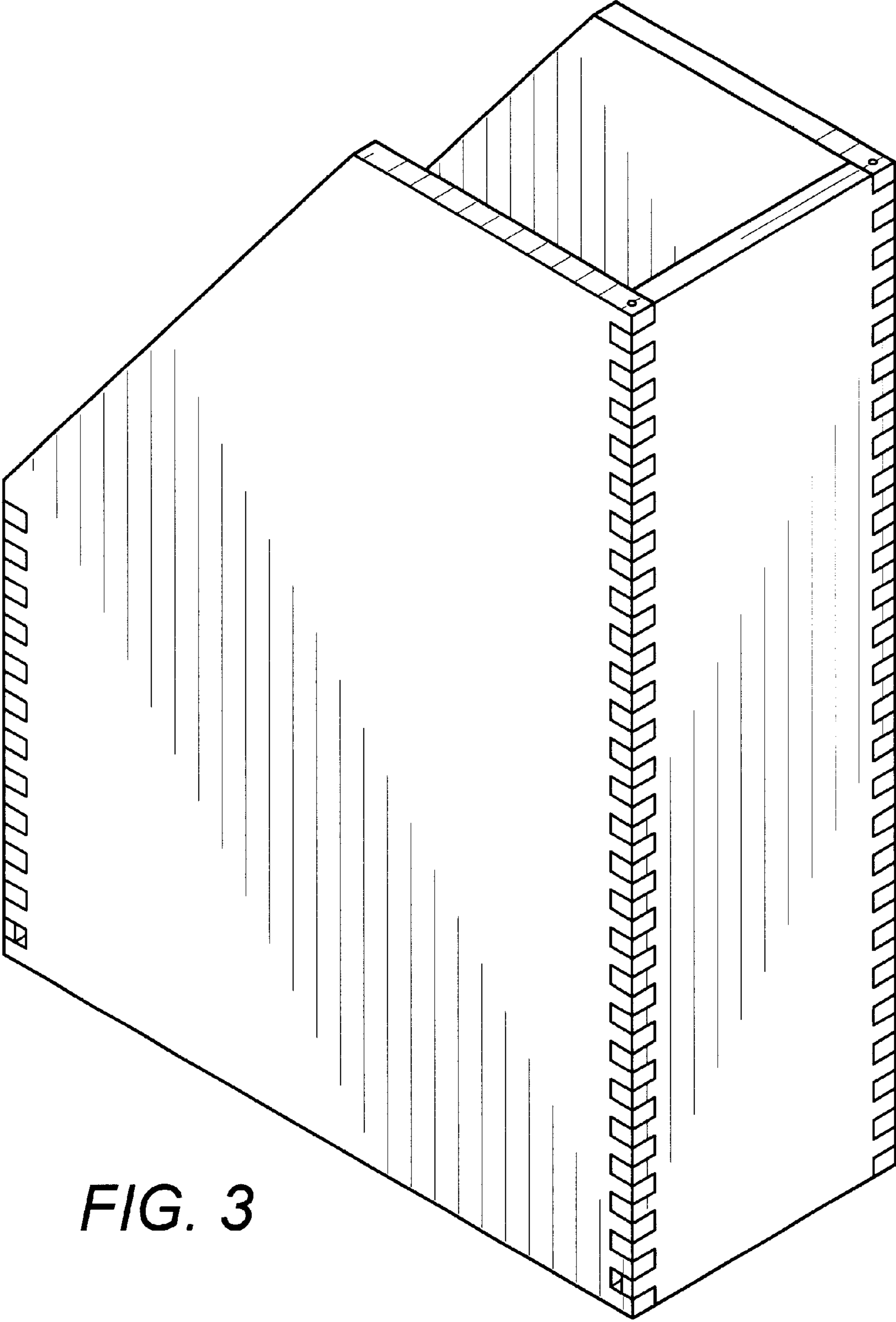


FIG. 3

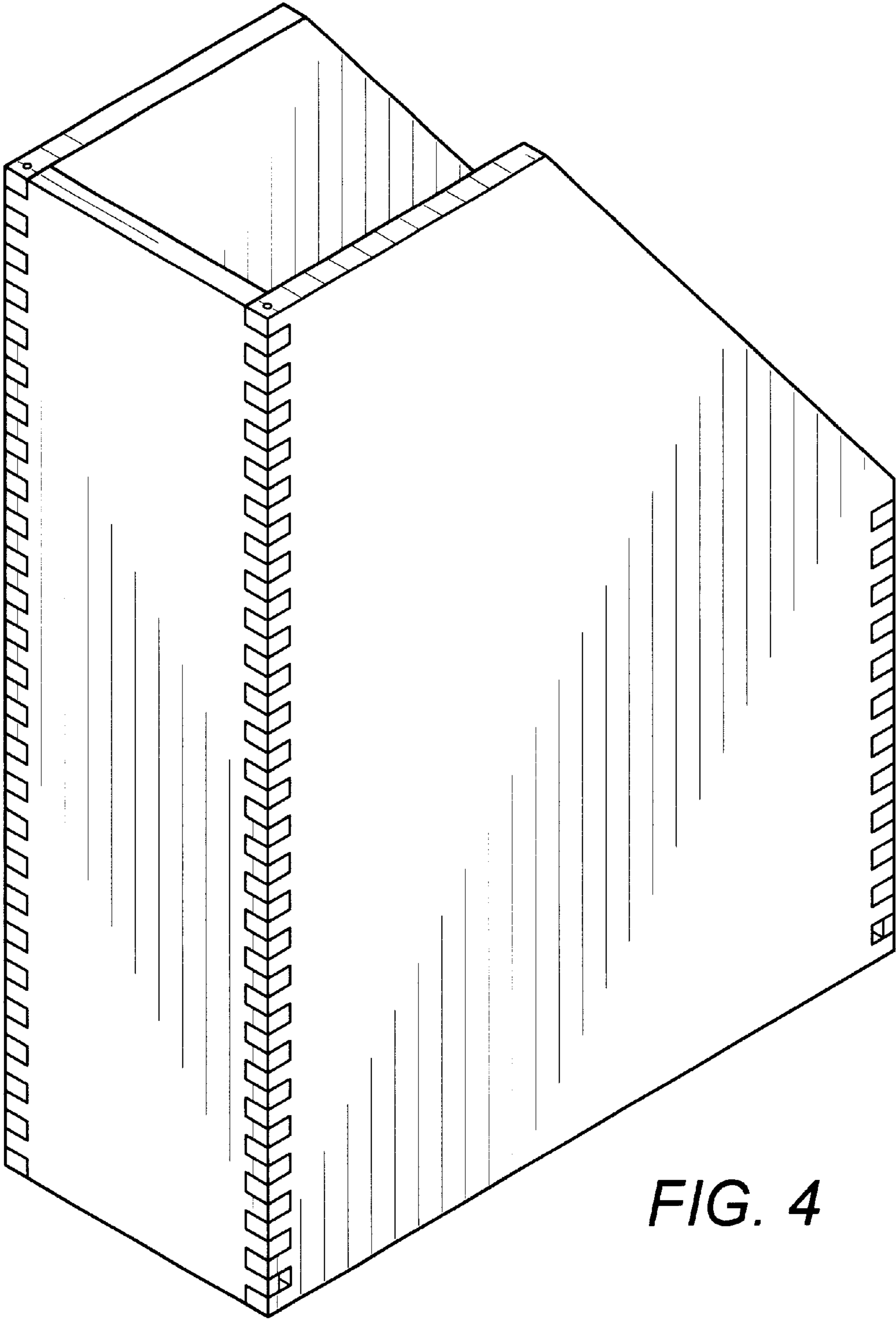


FIG. 4