

US00D502956S

(12) **United States Design Patent**
Holmes et al.

(10) **Patent No.:** **US D502,956 S**
(45) **Date of Patent:** **** Mar. 15, 2005**

(54) **WEBCAM MOUNT FOR FLEXIBLE POSITIONING**

D411,220 S * 6/1999 Surabian D16/242

(76) Inventors: **Joseph T. Holmes**, 7 River St., Westford, MA (US) 01886; **Shawn Michael Daley**, 426 Main St., West Townsend, MA (US) 01474

(**) Term: **14 Years**

(21) Appl. No.: **29/180,467**

(22) Filed: **Apr. 24, 2003**

(51) **LOC (7) Cl.** **16-05**

(52) **U.S. Cl.** **D16/242**; 396/428

(58) **Field of Search** D16/237, 242, D16/243; 224/265, 270, 908; 248/187.1; 352/243; 396/419, 420, 421, 422, 428

(56) **References Cited**

U.S. PATENT DOCUMENTS

2,510,198	A	6/1950	Tesmer	
4,963,903	A	* 10/1990	Cane	396/428
5,305,034	A	* 4/1994	Aratani	396/420
D362,008	S	* 9/1995	McCumber	D16/242
D375,319	S	* 11/1996	Johnson et al.	D16/202
5,664,750	A	9/1997	Cohen	
D394,669	S	* 5/1998	Becker et al.	D16/242
D403,338	S	* 12/1998	Dunn	D16/202

OTHER PUBLICATIONS

Q Enterprise Internet Advertising 3 – Pages.
Video Labs Internet Advertising 14 – Pages.
Microscopeworld.com Internet Advertising Video Flex Camera 4 – Pages.

* cited by examiner

Primary Examiner—Adir Aronovich
(74) *Attorney, Agent, or Firm*—Elmore Craig, PC; Darlene A. Vanstone

(57) **CLAIM**

The ornamental design for a webcam mount for flexible positioning, as shown and described.

DESCRIPTION

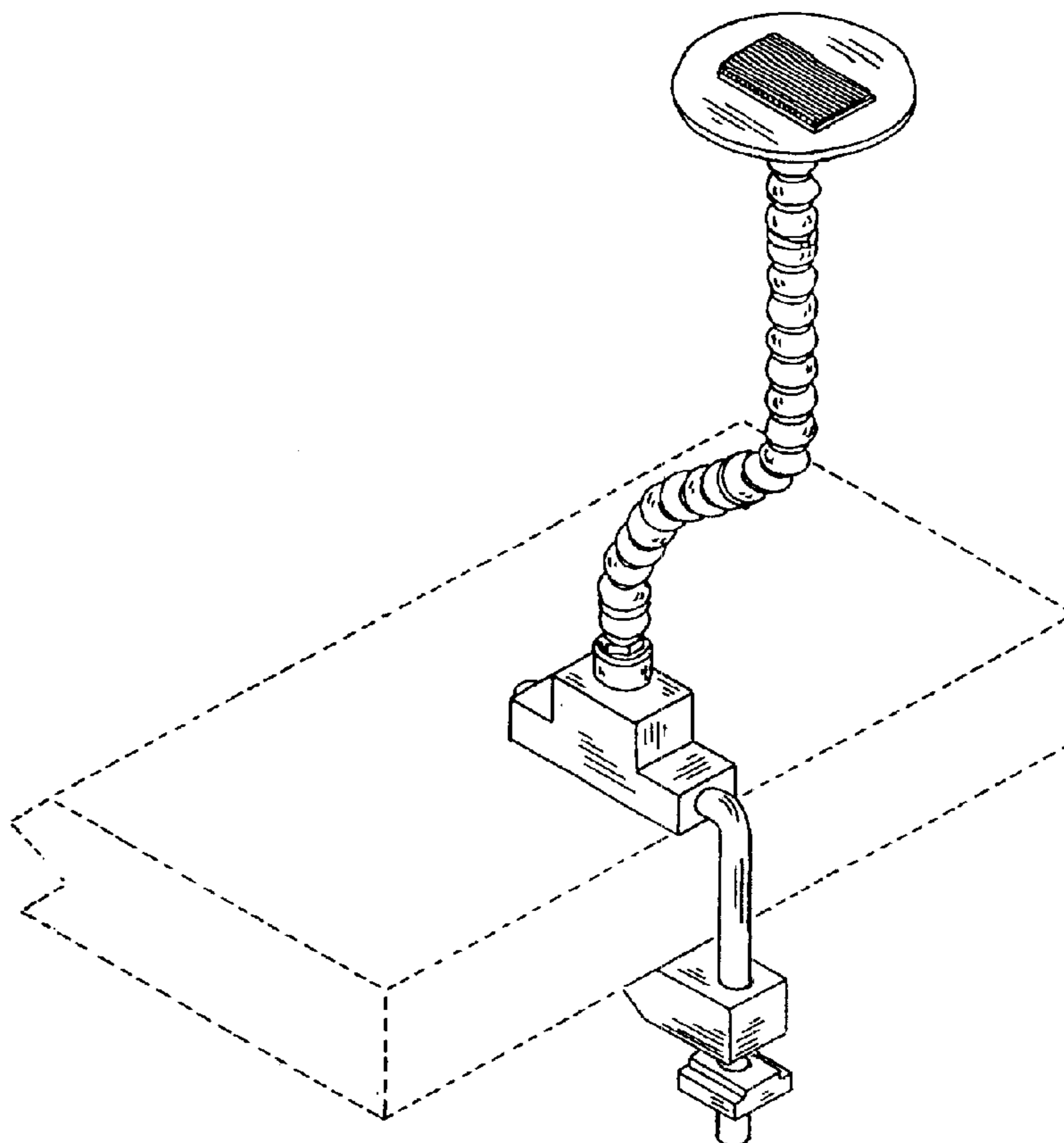
FIG. 1 is a left side elevational view of a webcam mount for flexible positioning, the undisclosed right side being a mirror image;

FIG. 2 is a top plan view thereof; and,

FIG. 3 is a perspective view thereof.

The broken line showing of a support surface is for illustrative purposes only and forms no part of the claimed design.

1 Claim, 3 Drawing Sheets



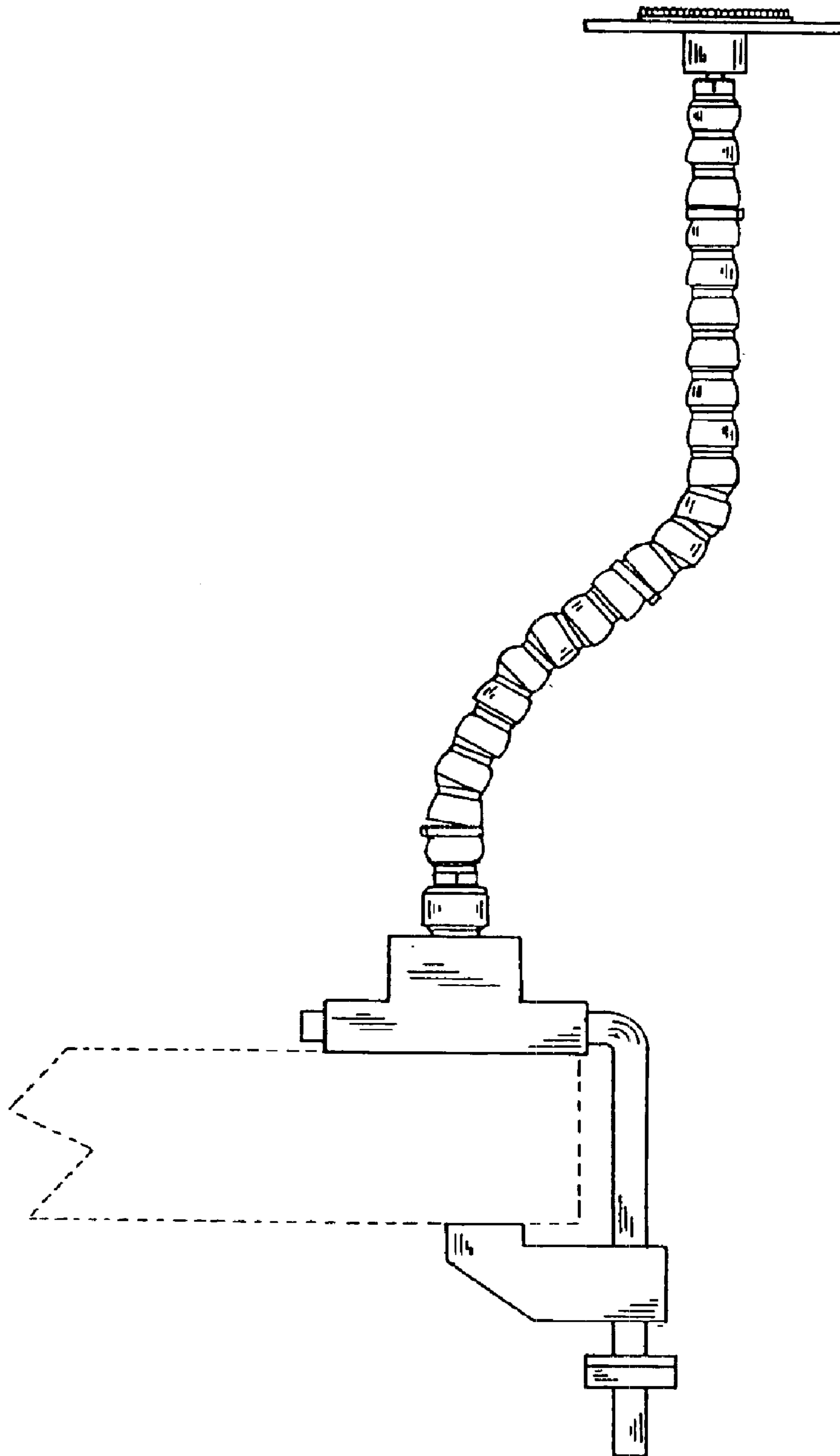


FIG. 1

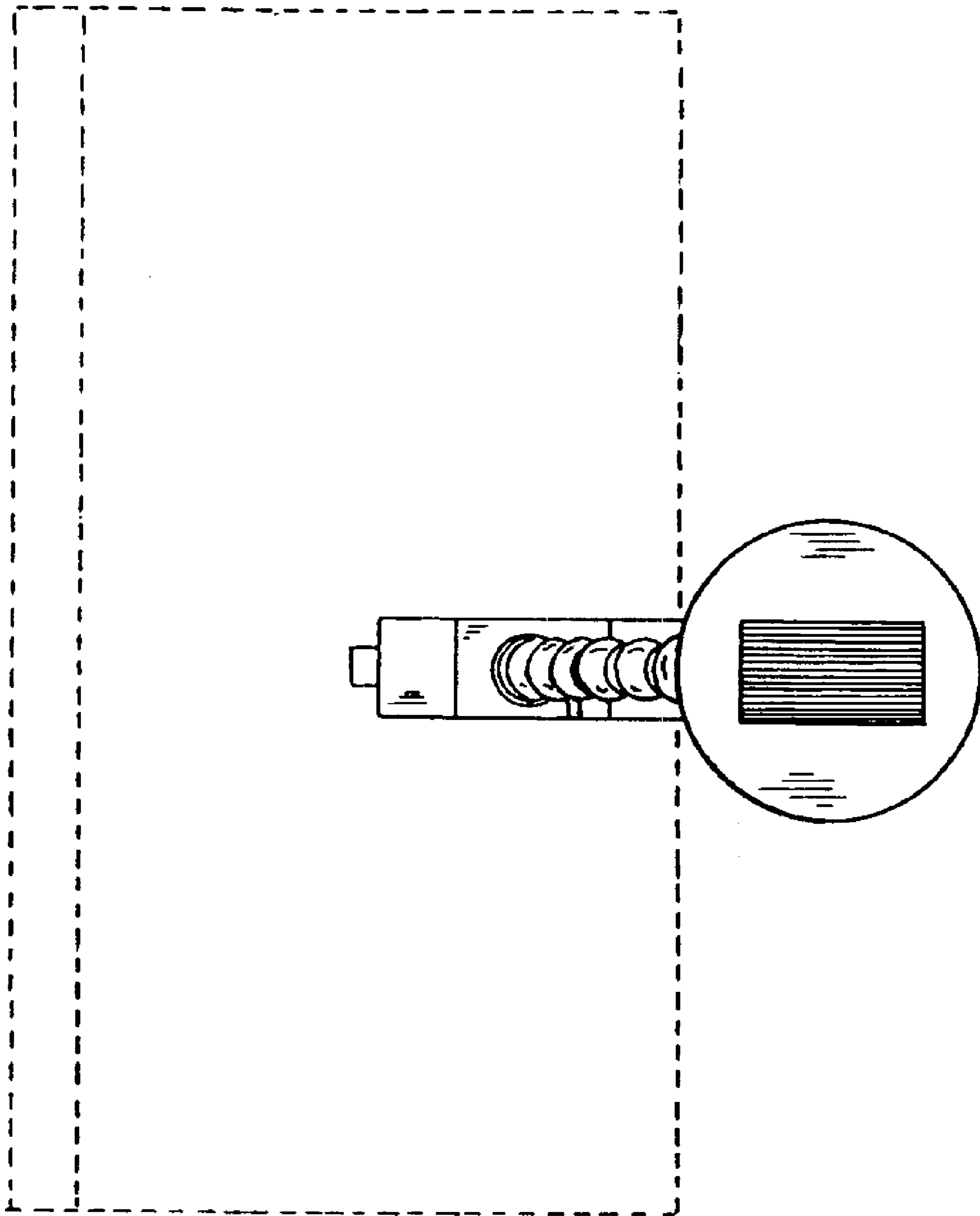


FIG. 2

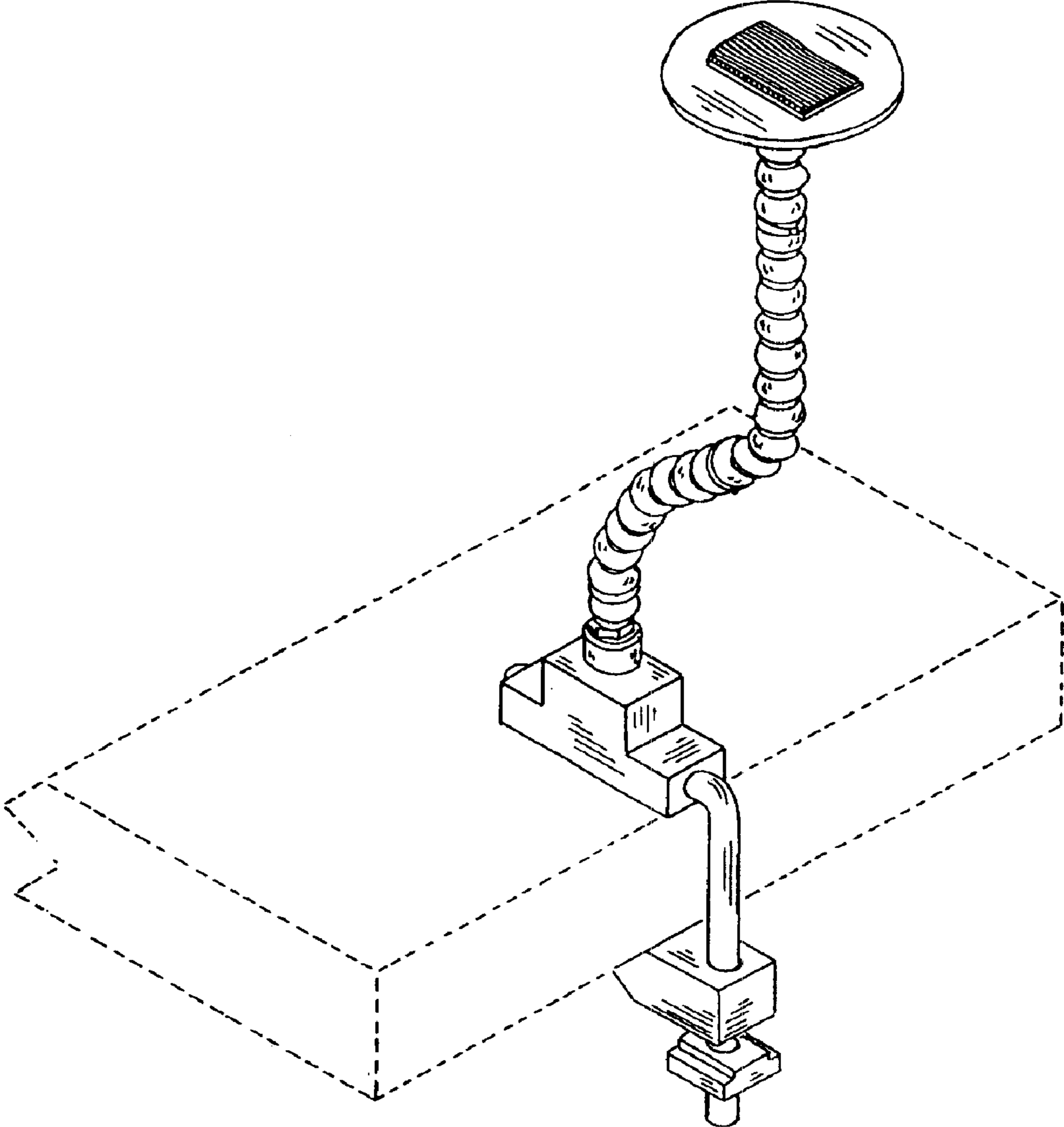


FIG. 3