

US00D502953S

(12) **United States Design Patent**  
**Kerrod et al.**

(10) **Patent No.: US D502,953 S**  
(45) **Date of Patent: \*\* Mar. 15, 2005**

(54) **APPARATUS FOR DEPOSITING CELL SAMPLES ON MICROSCOPE SLIDE**

D311,876 S \* 11/1990 Kiegami ..... D24/224  
D319,314 S \* 8/1991 Crouch ..... D24/224  
D344,138 S \* 2/1994 Nagata ..... D24/224  
D490,332 S \* 5/2004 Sandor ..... D10/81

(75) Inventors: **Ian Kerrod**, Flintshire (GB); **Peter Lomas**, Wirral (GB)

\* cited by examiner

(73) Assignee: **Thermo Shandon Limited**, Cheshire (GB)

*Primary Examiner*—Paula A. Greene  
(74) *Attorney, Agent, or Firm*—Clifford A. Poff

(\*\*) Term: **14 Years**

(57) **CLAIM**

(21) Appl. No.: **29/196,265**

The ornament design for a design for an apparatus for depositing cell samples on microscope slide, as show and described.

(22) Filed: **Dec. 22, 2003**

(30) **Foreign Application Priority Data**

**DESCRIPTION**

Jul. 7, 2003 (EP) ..... 51370

FIG. 1 is a front perspective view from a left side of an apparatus for depositing cell samples on microscope slide showing my design;

(51) **LOC (7) Cl.** ..... **16-06**

(52) **U.S. Cl.** ..... **D16/131; D16/130**

FIG. 2 is a front elevational view of the apparatus for depositing cell samples on microscope slide shown in FIG. 1;

(58) **Field of Search** ..... D16/130, 131;

D24/118, 120, 121, 150, 172, 216, 222,

231, 224, 226, 113, 115; D10/81; 356/246,

325, 411, 434, 437, 440; 604/294

FIG. 3 is a right side view thereof;

FIG. 4 is a left side view thereof;

FIG. 5 is a top plan view thereof; and

FIG. 6 is a bottom plan thereof; and,

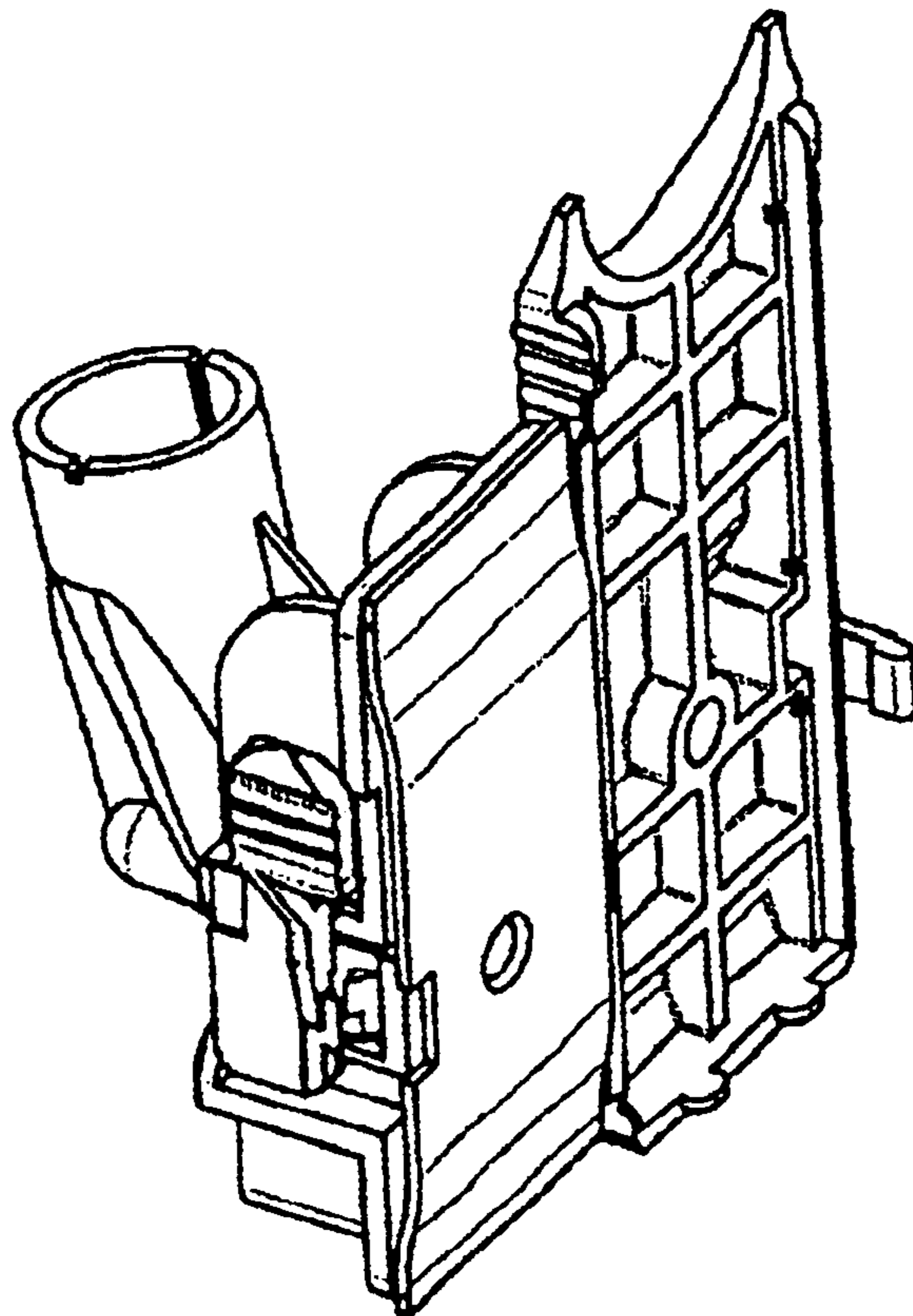
FIG. 7 is a rear elevational view thereof.

(56) **References Cited**

**U.S. PATENT DOCUMENTS**

4,227,810 A \* 10/1980 Sandrock et al. .... 356/246

**1 Claim, 4 Drawing Sheets**



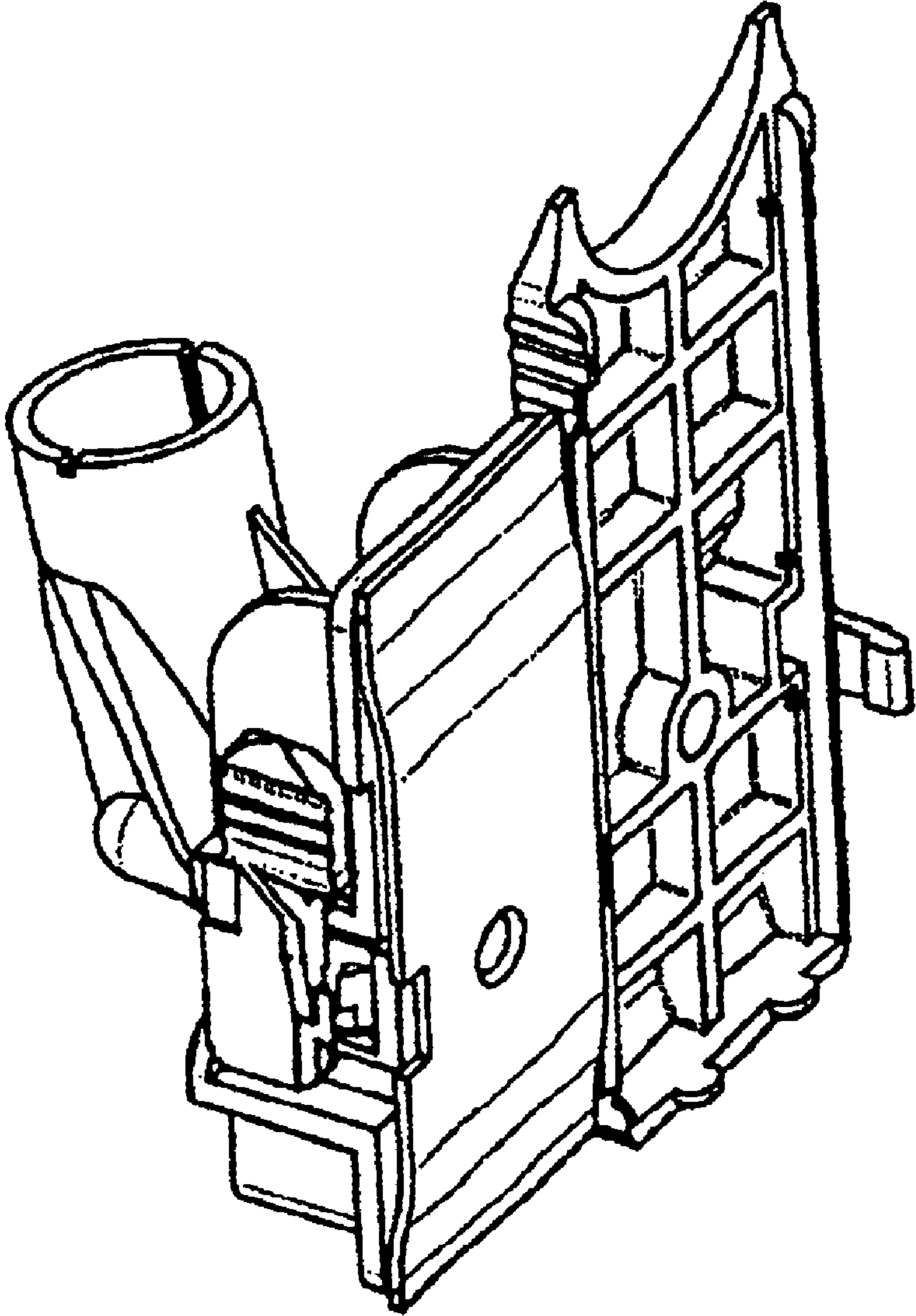


Fig. 1

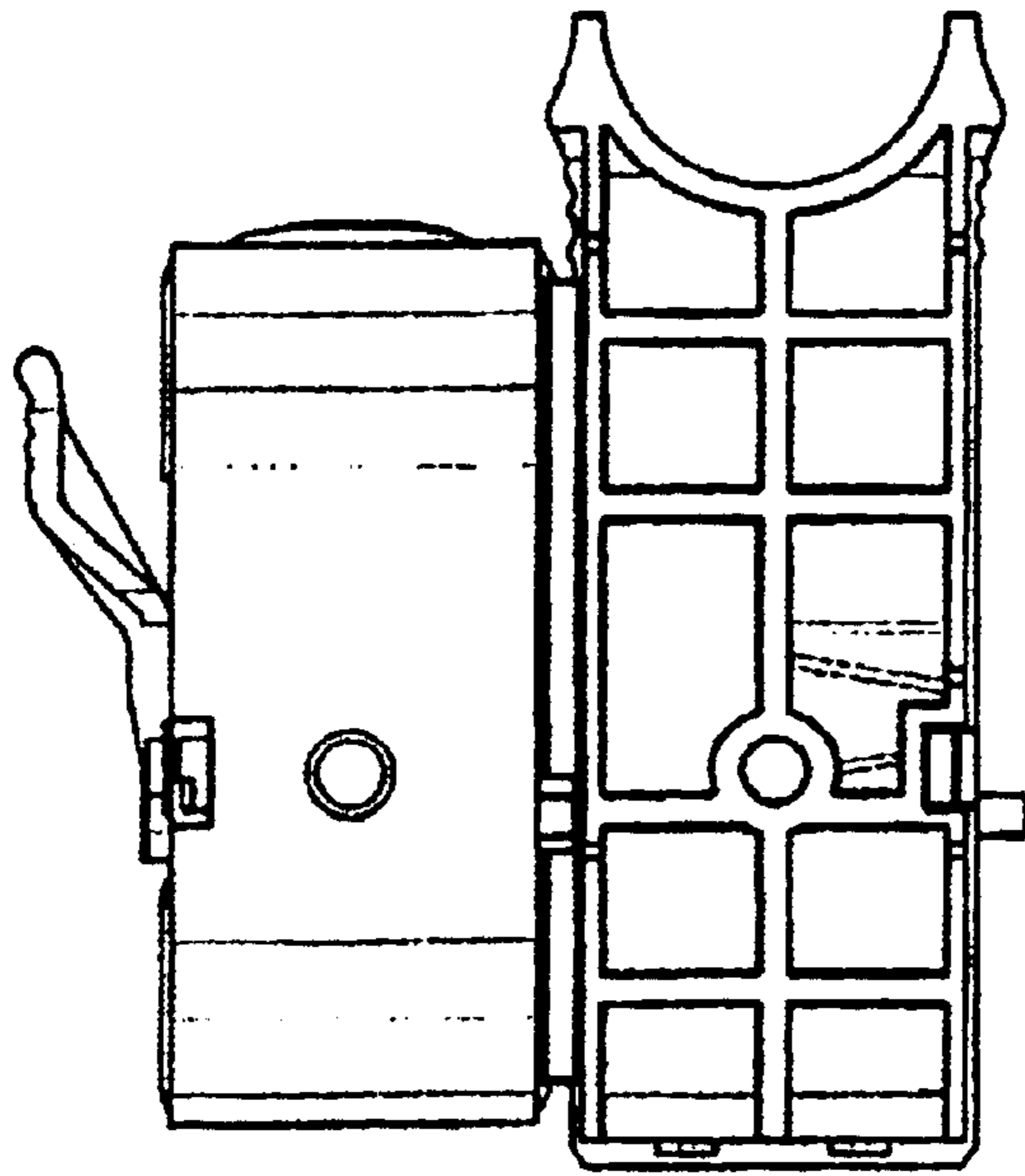


Fig. 2

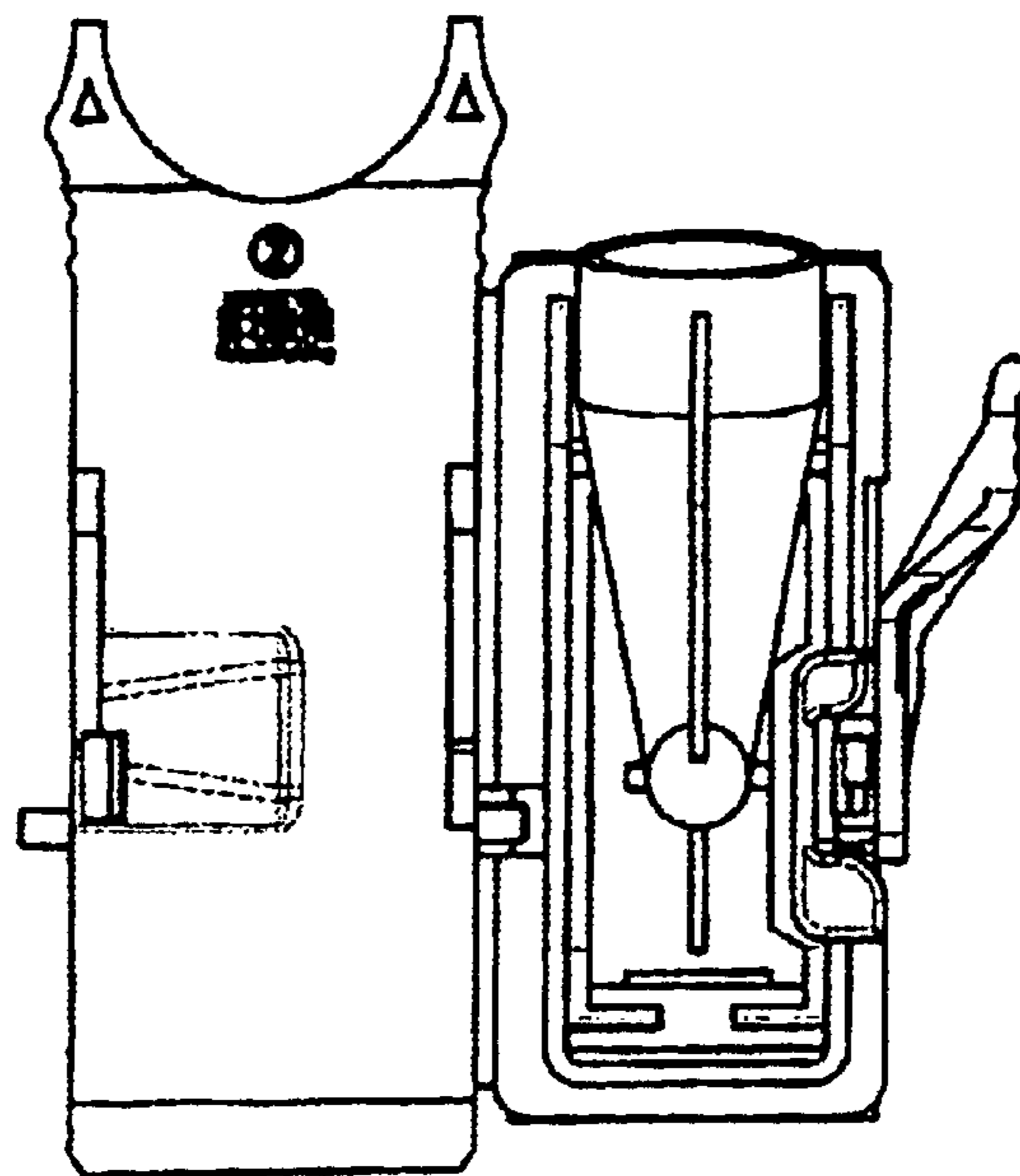


Fig. 7

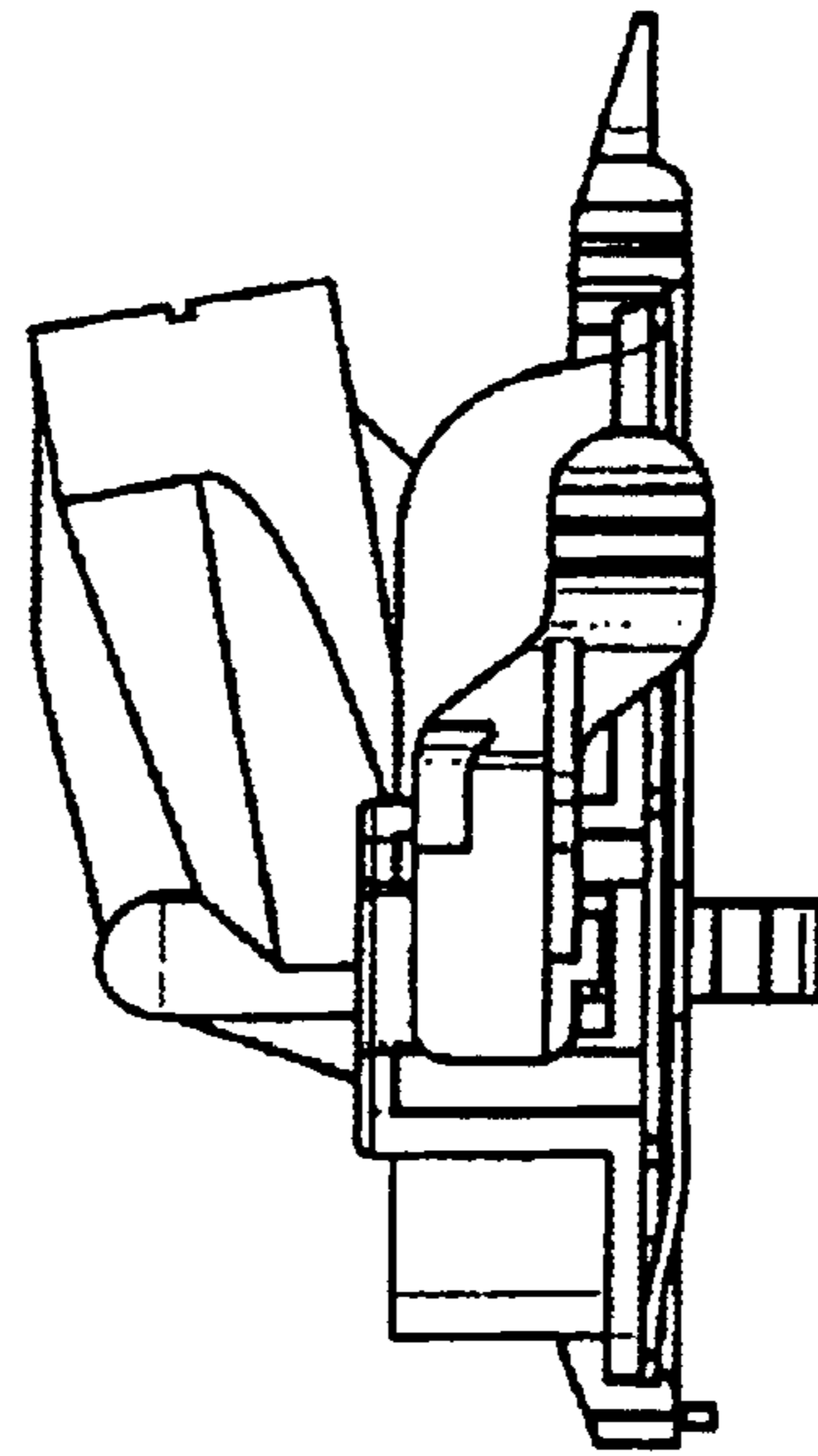


Fig. 4

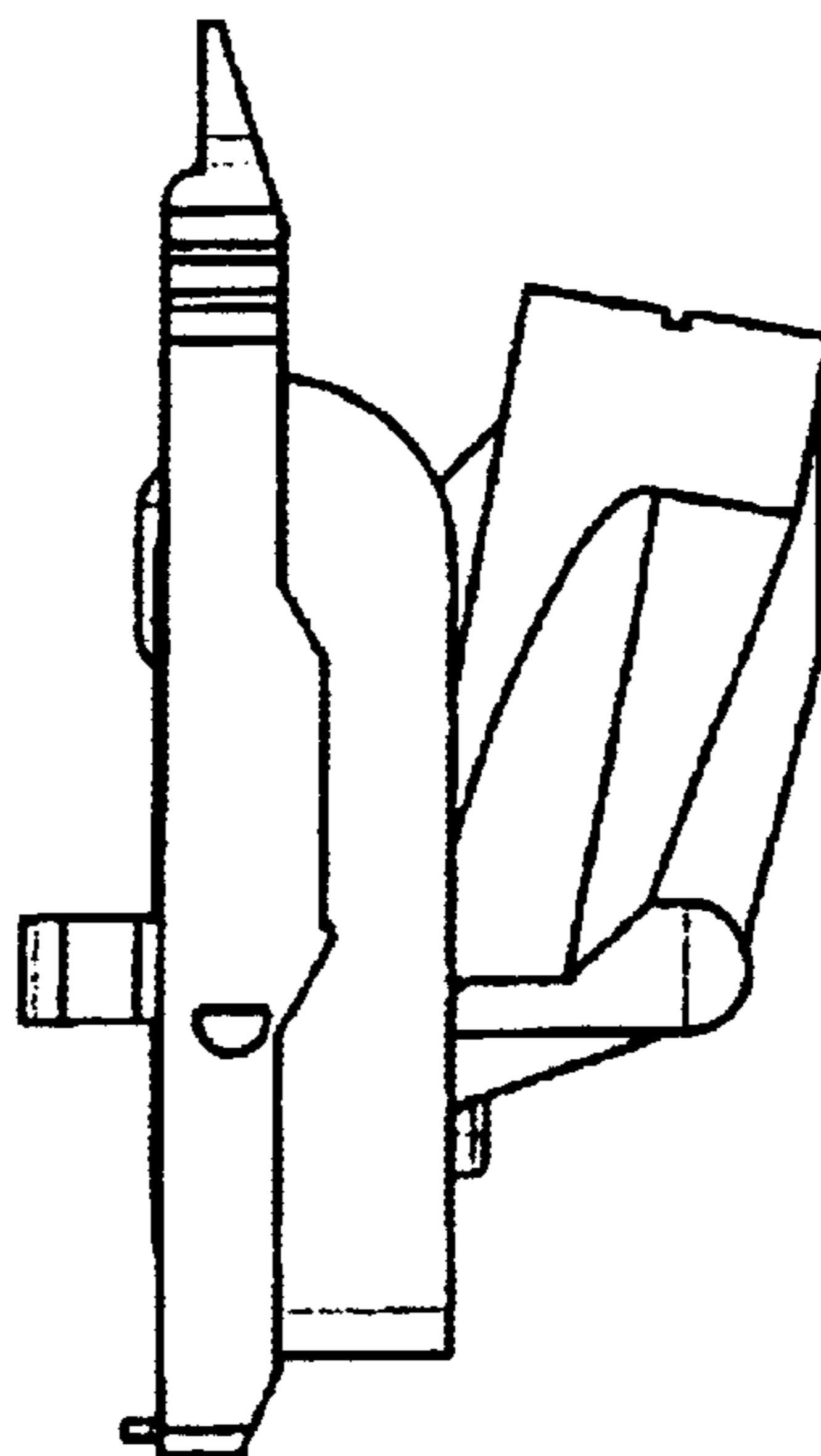


Fig. 3

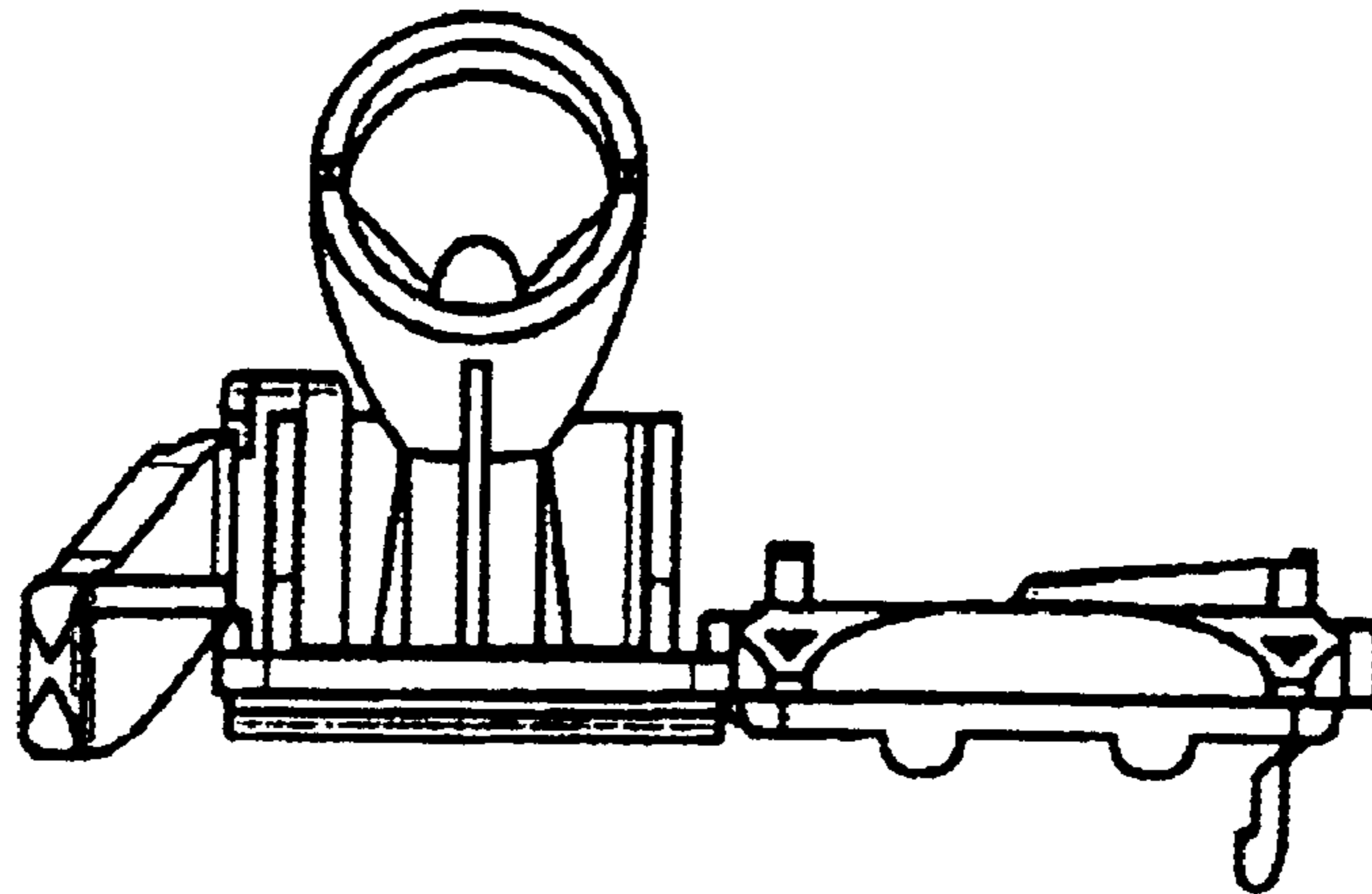


Fig. 5

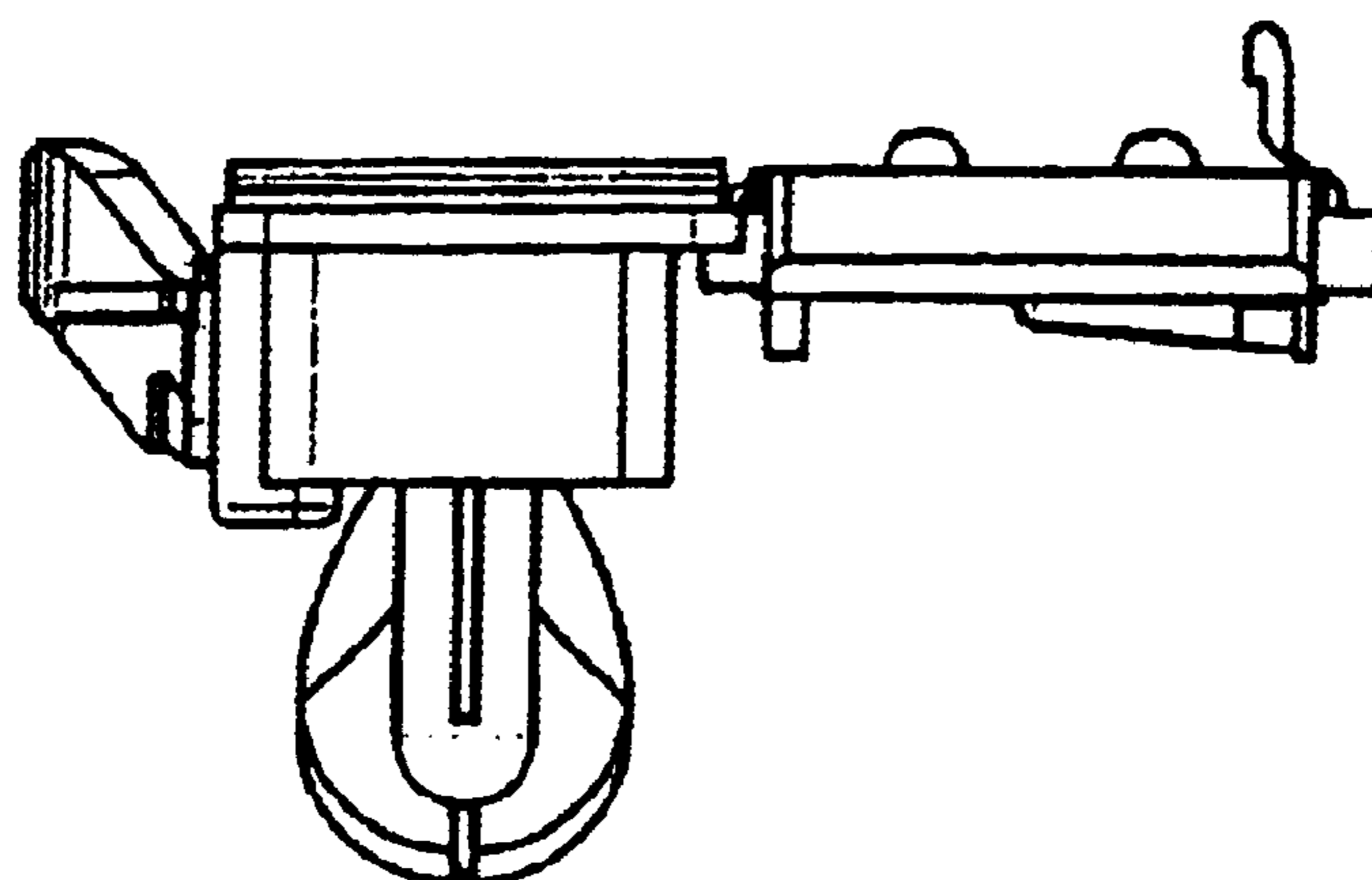


Fig. 6