

US00D502951S

(12) **United States Design Patent**
Nyman

(10) **Patent No.:** **US D502,951 S**
(45) **Date of Patent:** **** Mar. 15, 2005**

(54) **EDGE FOLDER**

(75) **Inventor:** **Erik Nyman, Lima (SE)**

(73) **Assignee:** **Lima Besparingskrog, Lima (SE)**

(**) **Term:** **14 Years**

(21) **Appl. No.:** **29/178,043**

(22) **Filed:** **Mar. 21, 2003**

(30) **Foreign Application Priority Data**

Sep. 21, 2002 (DE) 402 07 916

(51) **LOC (7) Cl.** **15-09**

(52) **U.S. Cl.** **D15/123**

(58) **Field of Search** **D8/71-72; D15/123;**
72/304-323

Primary Examiner—Antoine D. Davis
(74) *Attorney, Agent, or Firm*—Young & Thompson

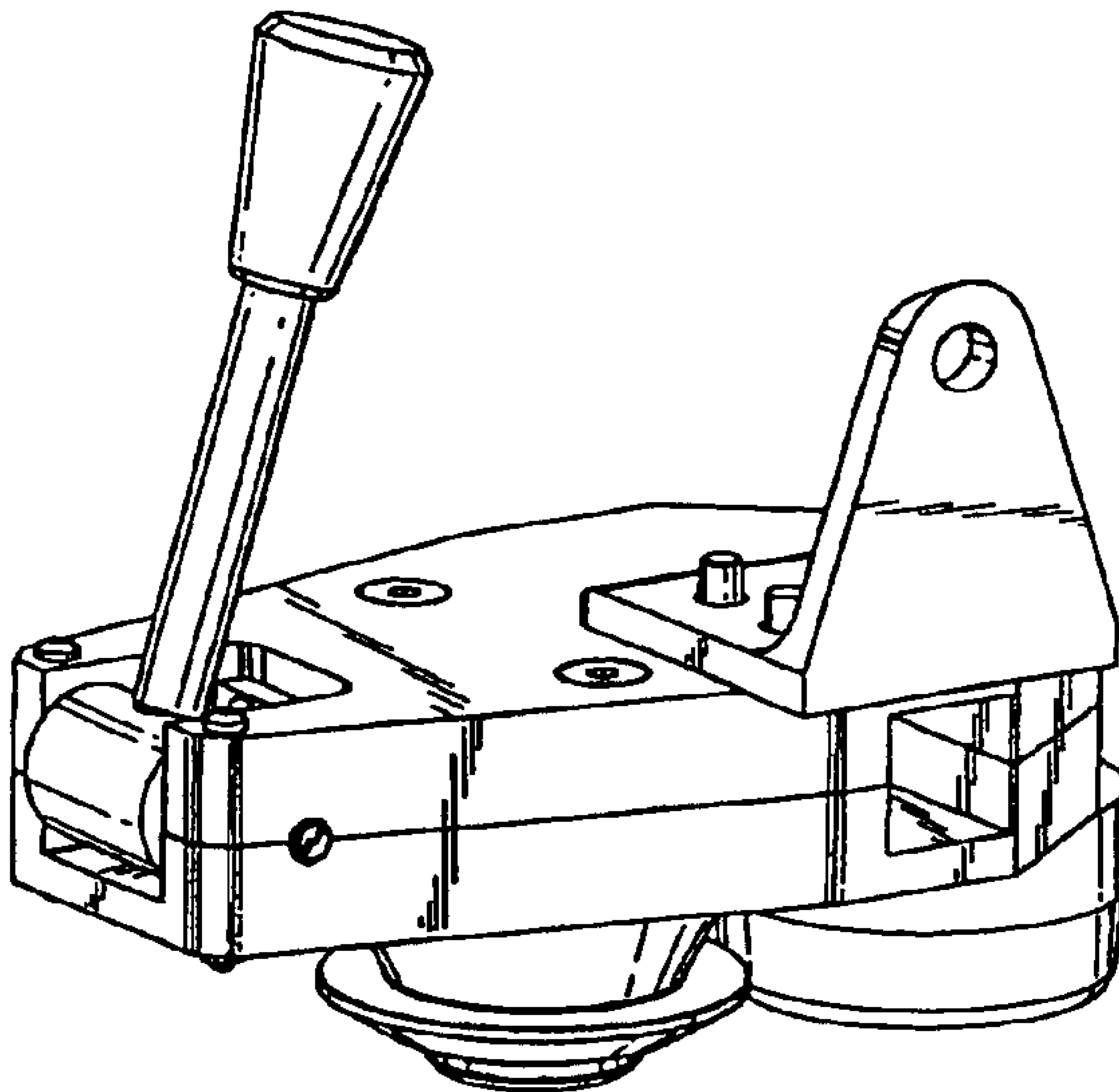
(57) **CLAIM**

The ornamental design for an edge folder, as shown and described.

DESCRIPTION

FIG. 1 is a top and rear perspective view of an edge folder, showing my new design;
FIG. 2 is a front elevational view thereof;
FIG. 3 is a rear elevational view thereof;
FIG. 4 is right side elevational view thereof;
FIG. 5 is a left side elevational view thereof; and,
FIG. 6 is a bottom plan view thereof.

1 Claim, 2 Drawing Sheets



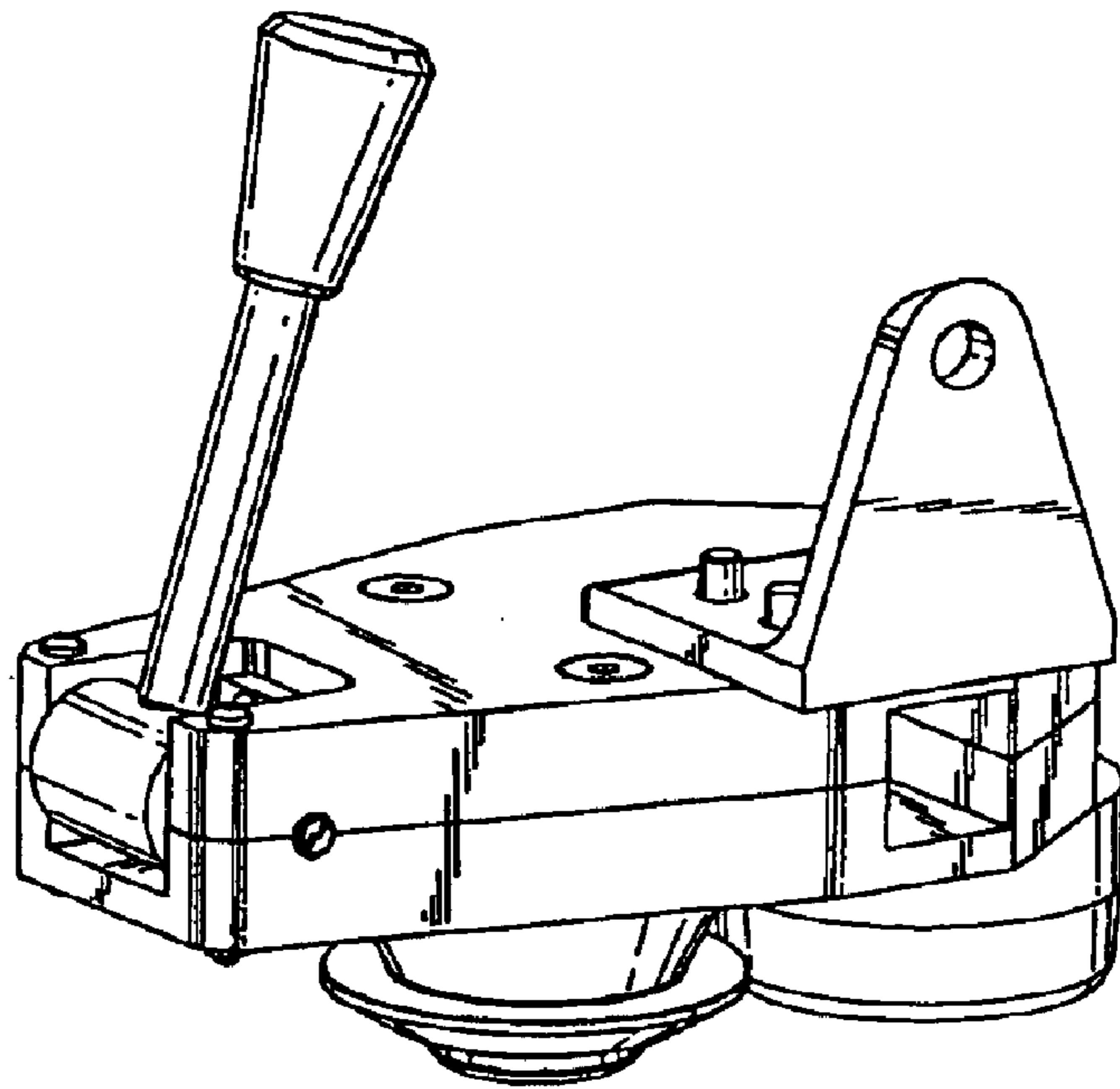


FIG 1

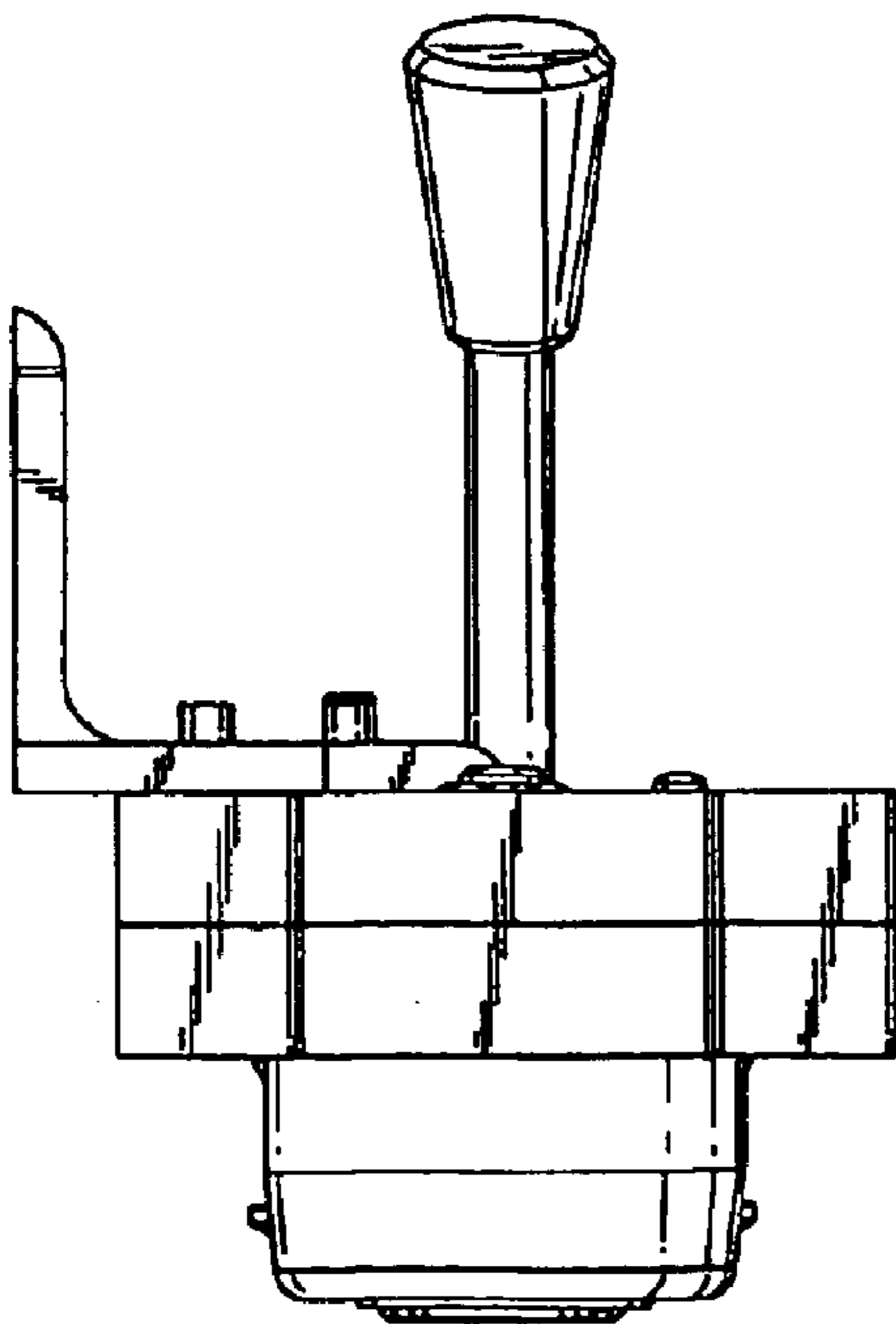


FIG 2

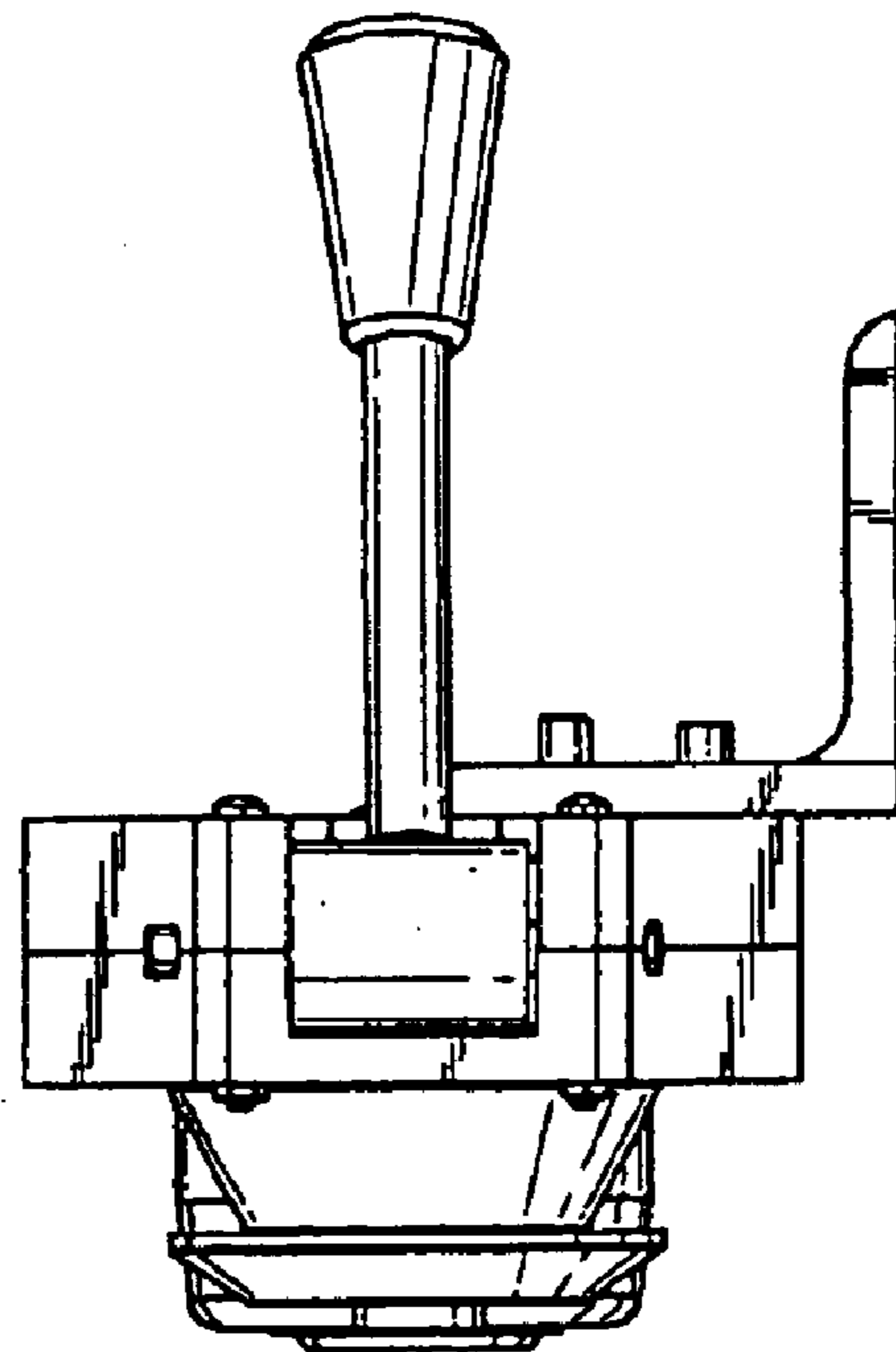


FIG 3

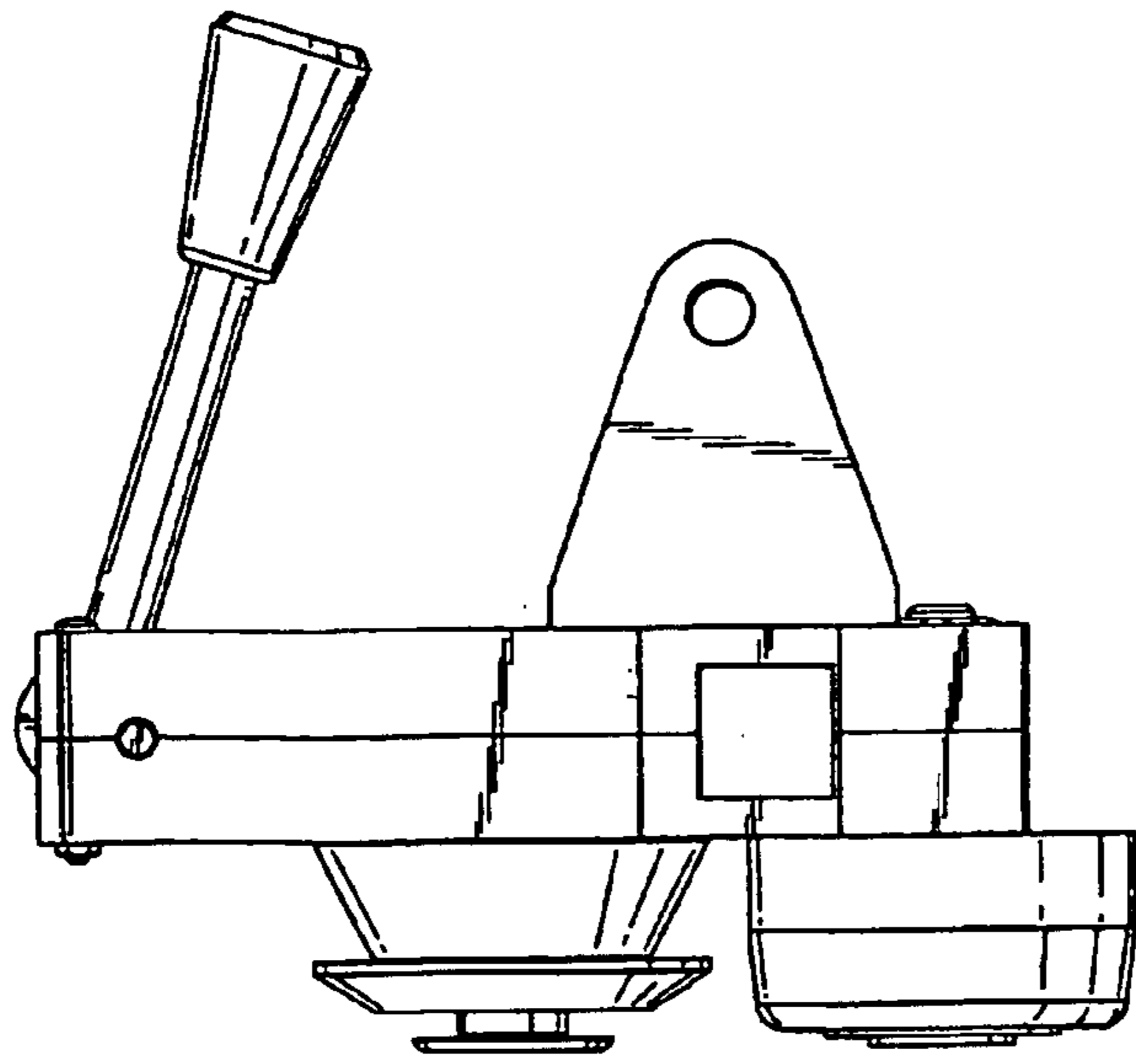


FIG 4

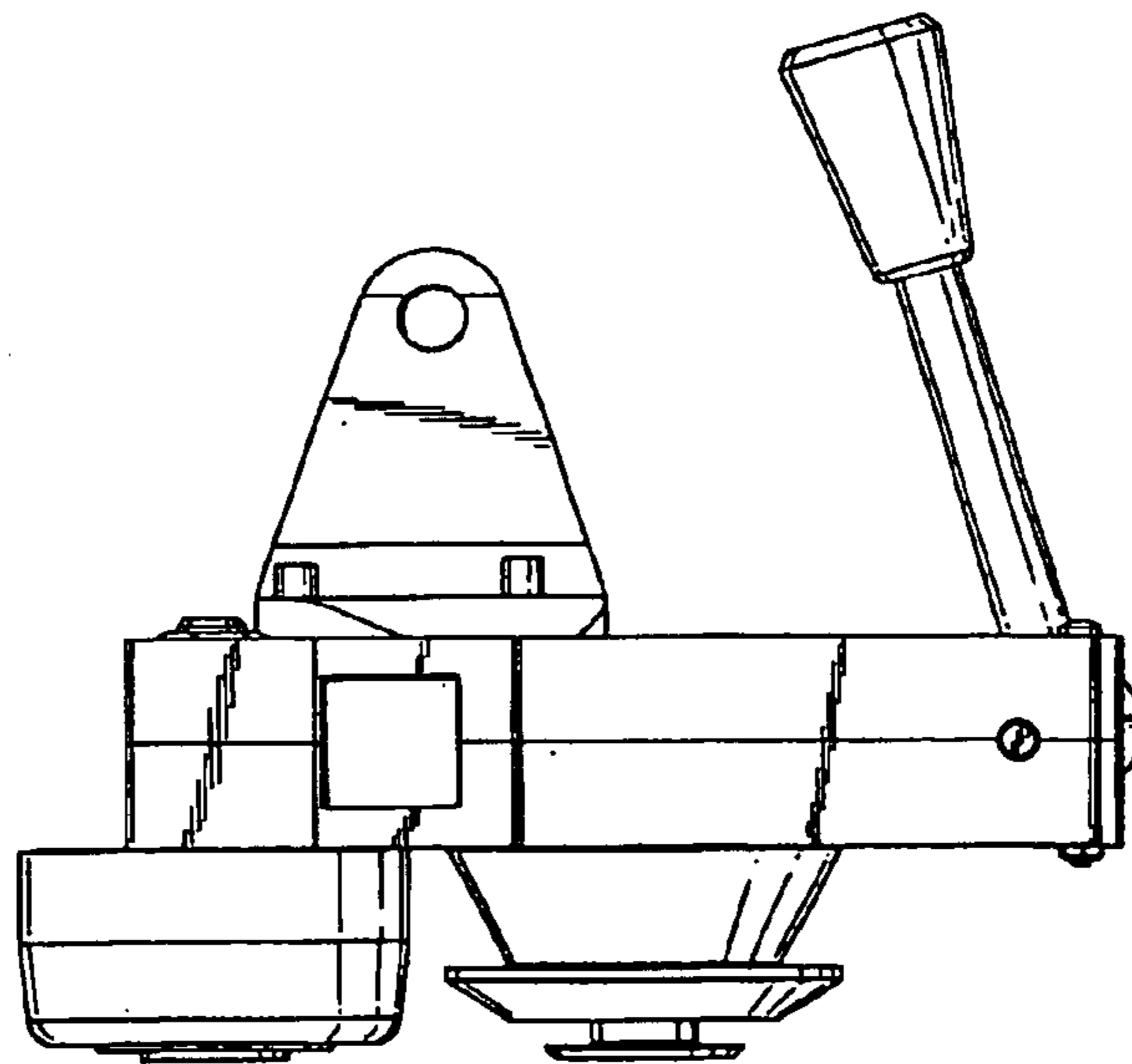


FIG 5

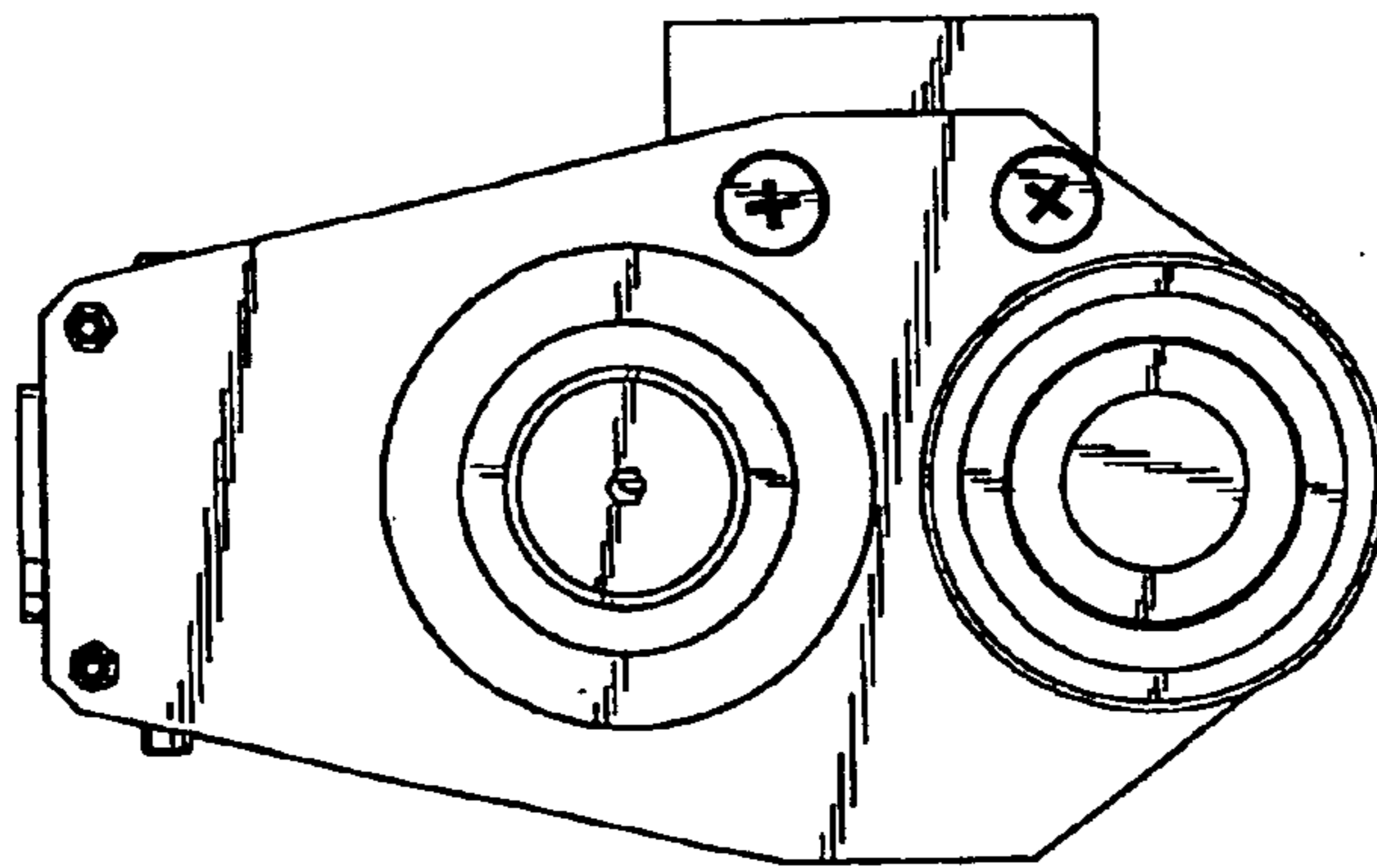


FIG 6