

US00D502950S

(12) **United States Design Patent**  
**Moraes De Sá Cavalcanti et al.**

(10) **Patent No.:** **US D502,950 S**  
(45) **Date of Patent:** **\*\* Mar. 15, 2005**

(54) **END CAP FOR CABINET DOORS**

D430,174 S \* 8/2000 Negrao et al. .... D15/89  
D495,722 S \* 9/2004 Avalos Barcenaz et al. . D15/91

(75) Inventors: **Anna Luiza Moraes De Sá Cavalcanti**, Joinville-SC (BR); **Antonio Jorge Pietruza**, Joinville-SC (BR); **Tammy Monteiro Del Arco Barros**, Joinville (BR)

\* cited by examiner

*Primary Examiner*—Mitchell Siegel  
(74) *Attorney, Agent, or Firm*—Abelman, Frayne & Scwab

(73) Assignee: **Multibras S.A. Eletrodomesticos**, Sao Paulo-SP (BR)

(57) **CLAIM**

The ornamental design for an end cap for cabinet doors, as shown and described.

(\*\*) Term: **14 Years**

**DESCRIPTION**

(21) Appl. No.: **29/190,012**

(22) Filed: **Sep. 11, 2003**

(30) **Foreign Application Priority Data**

Mar. 13, 2003 (BR) ..... DI 6300841

(51) **LOC (7) Cl.** ..... **15-07**

(52) **U.S. Cl.** ..... **D15/89**

(58) **Field of Search** ..... D15/79-91; 62/293, 62/339, 373, 440, 441, 457; 312/116, 138.1, 139.1, 139.2, 236, 348.6, 401, 405

FIG. 1 is a top, front and right side perspective view of our new design for an end cap for cabinet doors;  
FIG. 2 is a top, rear, and right side perspective view thereof;  
FIG. 3 is a front view thereof;  
FIG. 4 is a top plan view thereof; and,  
FIG. 5 is a left side view thereof, the right side being a mirror image thereof.

The bottom plan view is not shown nor claimed because it is not part of the claimed design.

The dotted lines are shown for environmental purposes only and form no part of the claimed design.

(56) **References Cited**

**U.S. PATENT DOCUMENTS**

D420,015 S \* 2/2000 DeBoer ..... D15/89

**1 Claim, 3 Drawing Sheets**

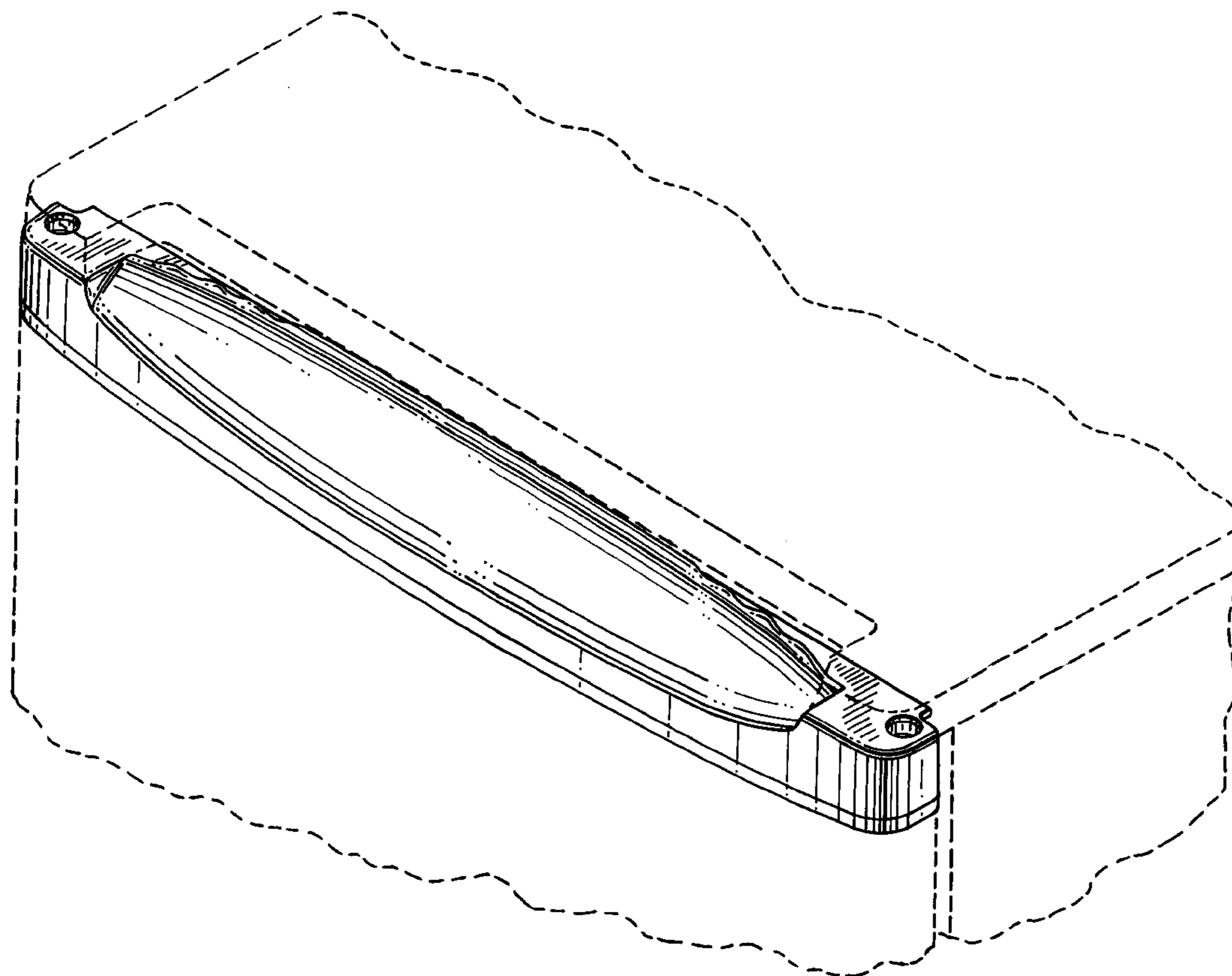
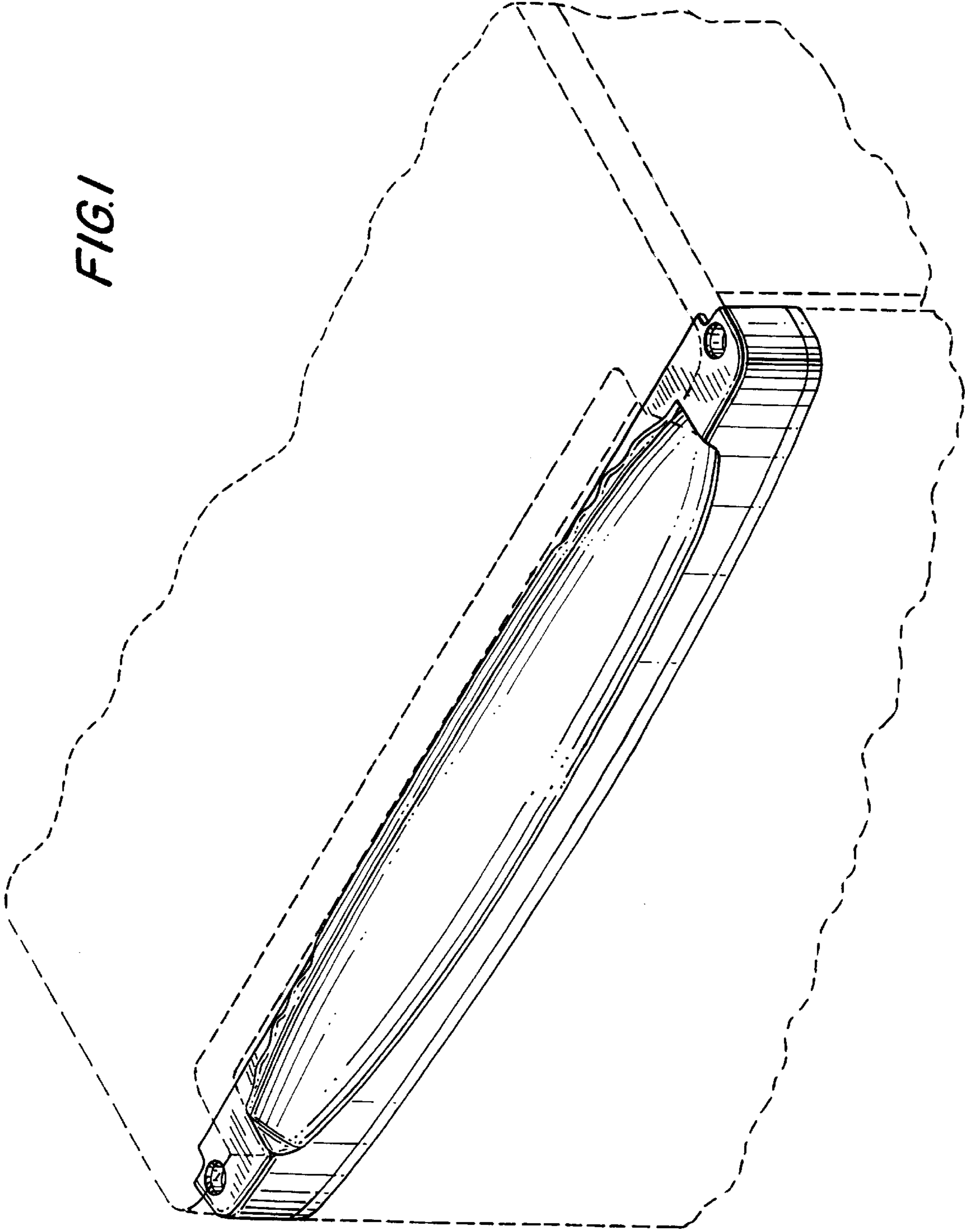


FIG. 1



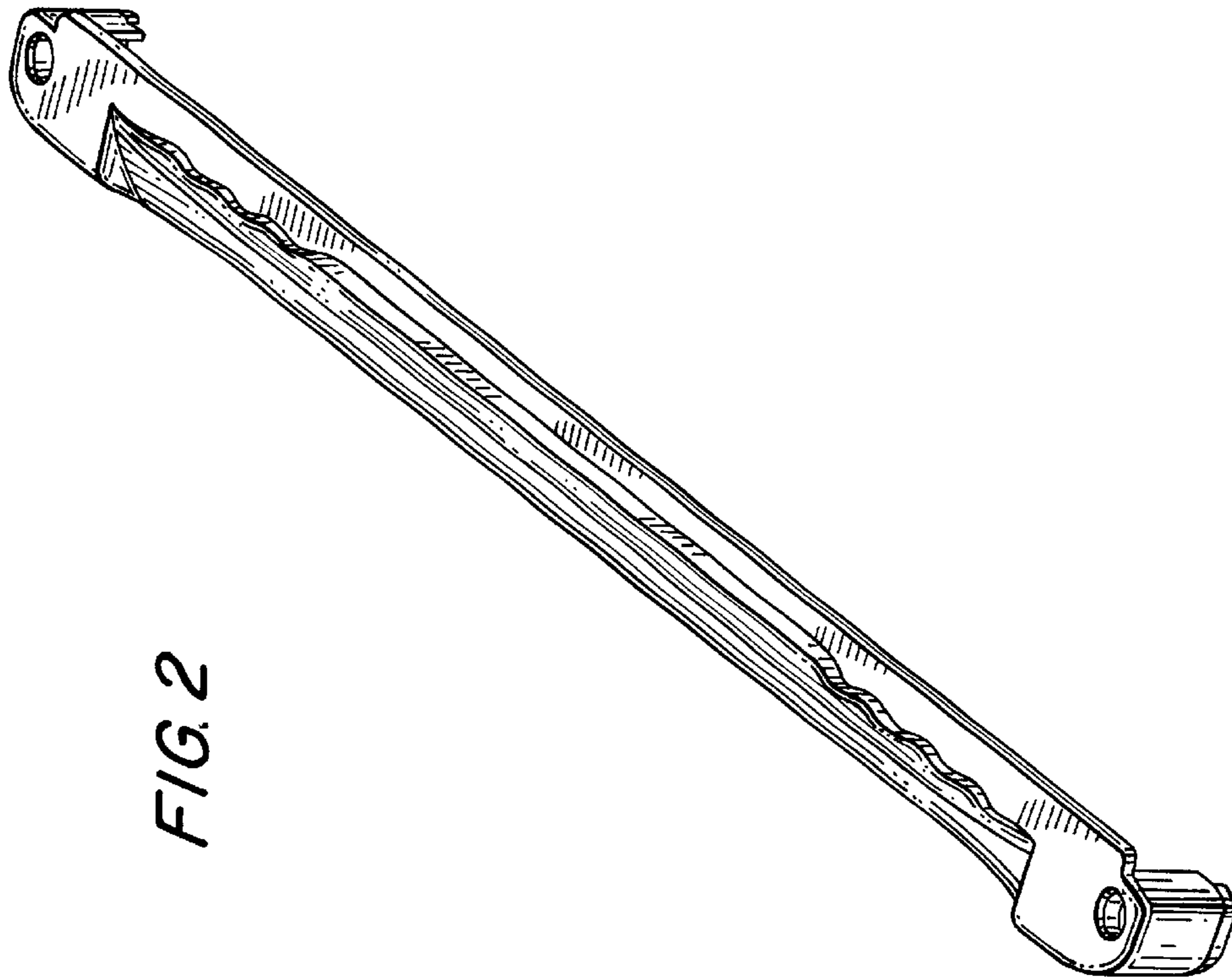
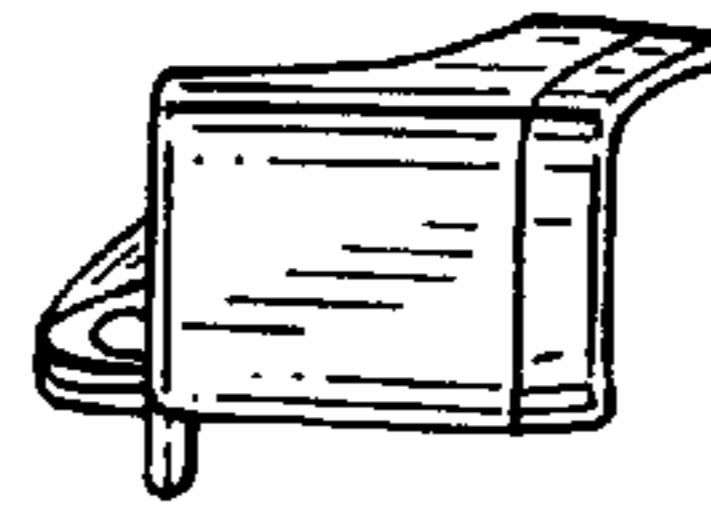
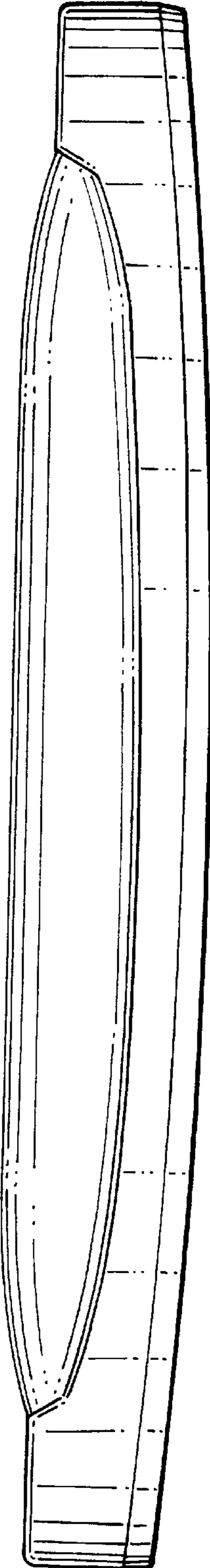


FIG. 2

FIG. 5



*FIG.3*



*FIG.4*

