

US00D502946S

(12) **United States Design Patent**  
**Takuma**

(10) **Patent No.:** **US D502,946 S**  
(45) **Date of Patent:** **\*\* Mar. 15, 2005**

(54) **COMPUTER**

(75) Inventor: **Tomoaki Takuma, Tokyo (JP)**

(73) Assignee: **Sony Corporation, Tokyo (JP)**

(\*\*) Term: **14 Years**

(21) Appl. No.: **29/202,322**

(22) Filed: **Mar. 30, 2004**

(51) **LOC (7) Cl.** ..... **14-02**

(52) **U.S. Cl.** ..... **D14/345**

(58) **Field of Search** ..... D14/341-346;  
D18/1, 2, 7; 345/156, 168, 169, 172, 173;  
349/12; 361/680-686; 708/105

(56) **References Cited**

**U.S. PATENT DOCUMENTS**

5,555,157	A	*	9/1996	Moller et al.	.....	361/683
D383,731	S	*	9/1997	Mieki et al.	.....	D14/345
5,898,600	A	*	4/1999	Isashi	.....	708/105
D430,566	S	*	9/2000	Chu et al.	.....	D14/345
D445,413	S		7/2001	Yano		

D466,115	S	*	11/2002	Hawkins et al.	.....	D14/345
D468,736	S	*	1/2003	Loh et al.	.....	D14/345
D473,564	S		4/2003	Yano		
D477,316	S		7/2003	Ogasawara		
D477,317	S		7/2003	Ogasawara		

\* cited by examiner

*Primary Examiner*—Freda S. Nunn

(74) *Attorney, Agent, or Firm*—Rader, Fishman & Grauer PLLC

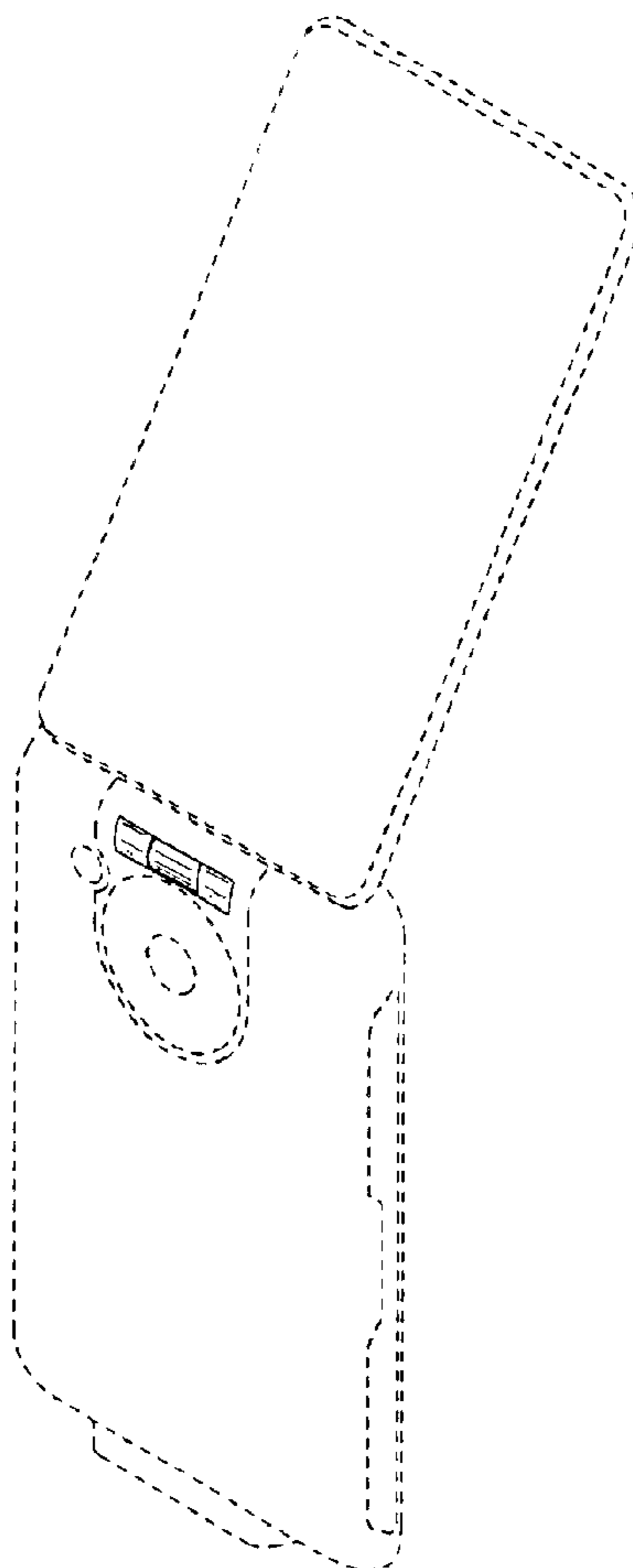
(57) **CLAIM**

The ornamental design for a computer, as shown and described.

**DESCRIPTION**

FIG. 1 is a rear left top perspective view of a computer showing my new design; FIG. 2 is a rear elevational view thereof; and, FIG. 3 is a top plan view thereof. Portions of FIGS. 1-3 that are shown as broken lines are for illustrative purpose only and form no part of the claimed design.

**1 Claim, 3 Drawing Sheets**



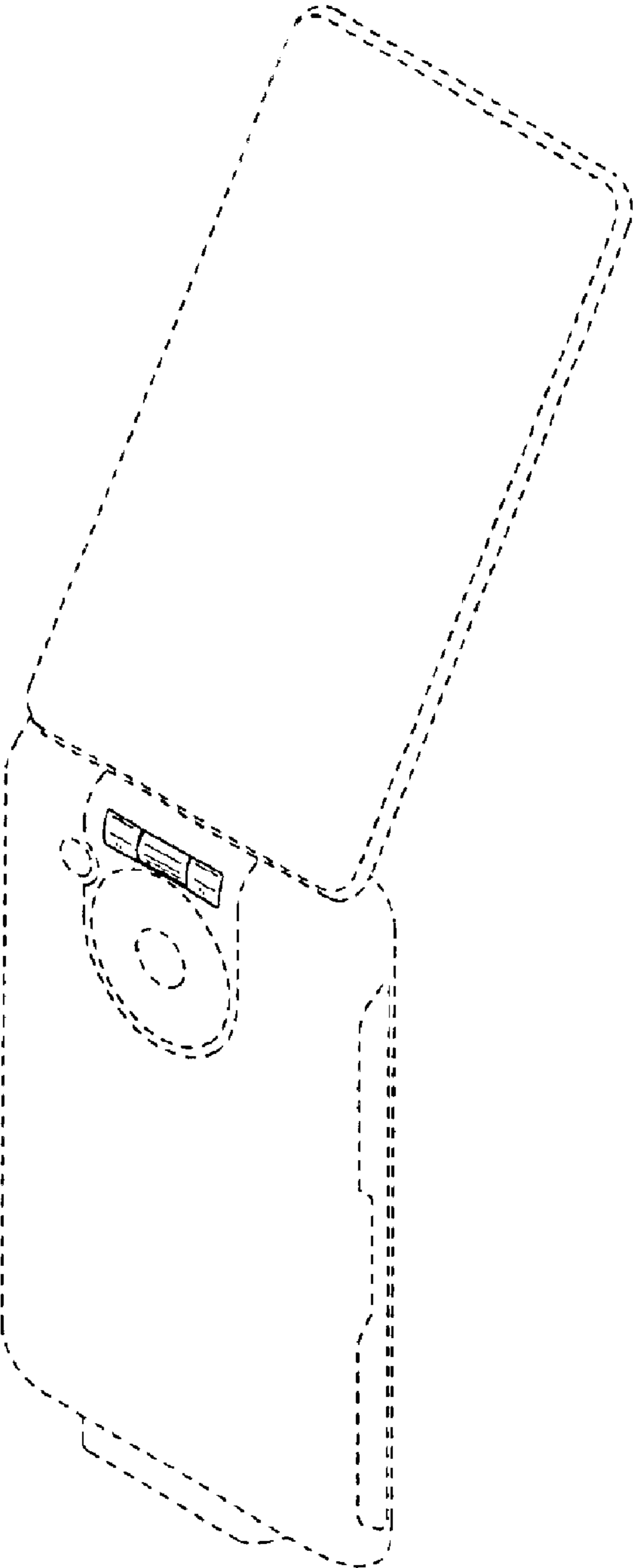


FIG. 1

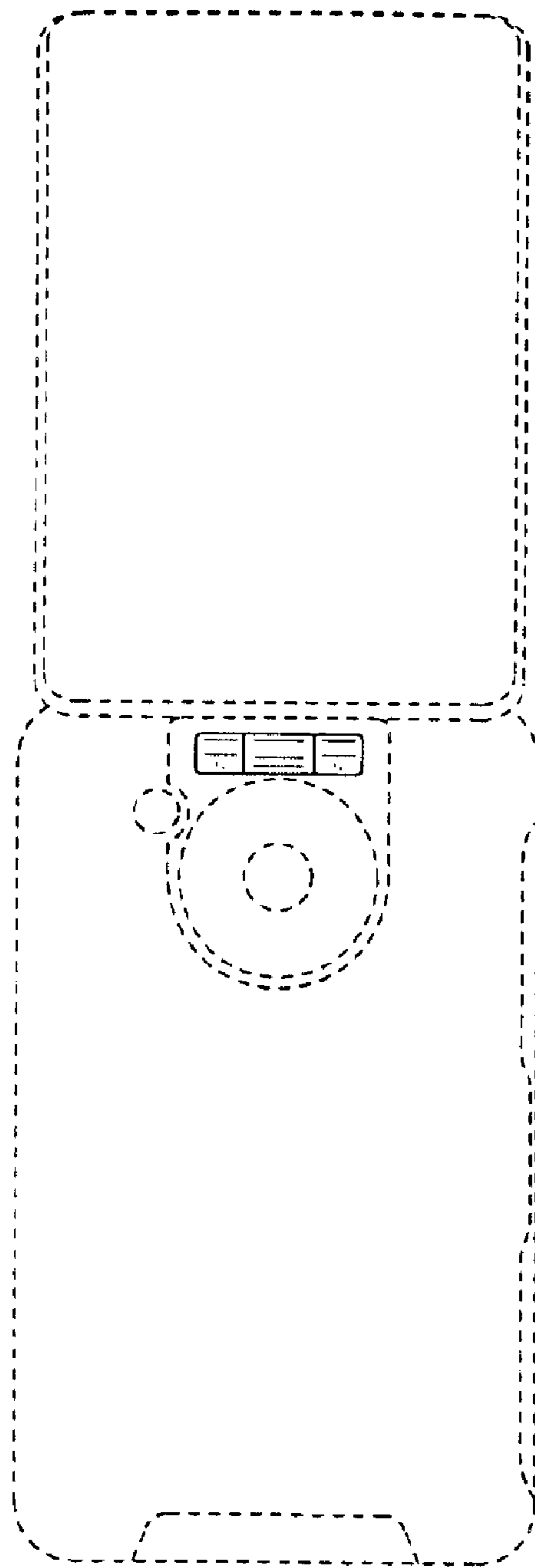
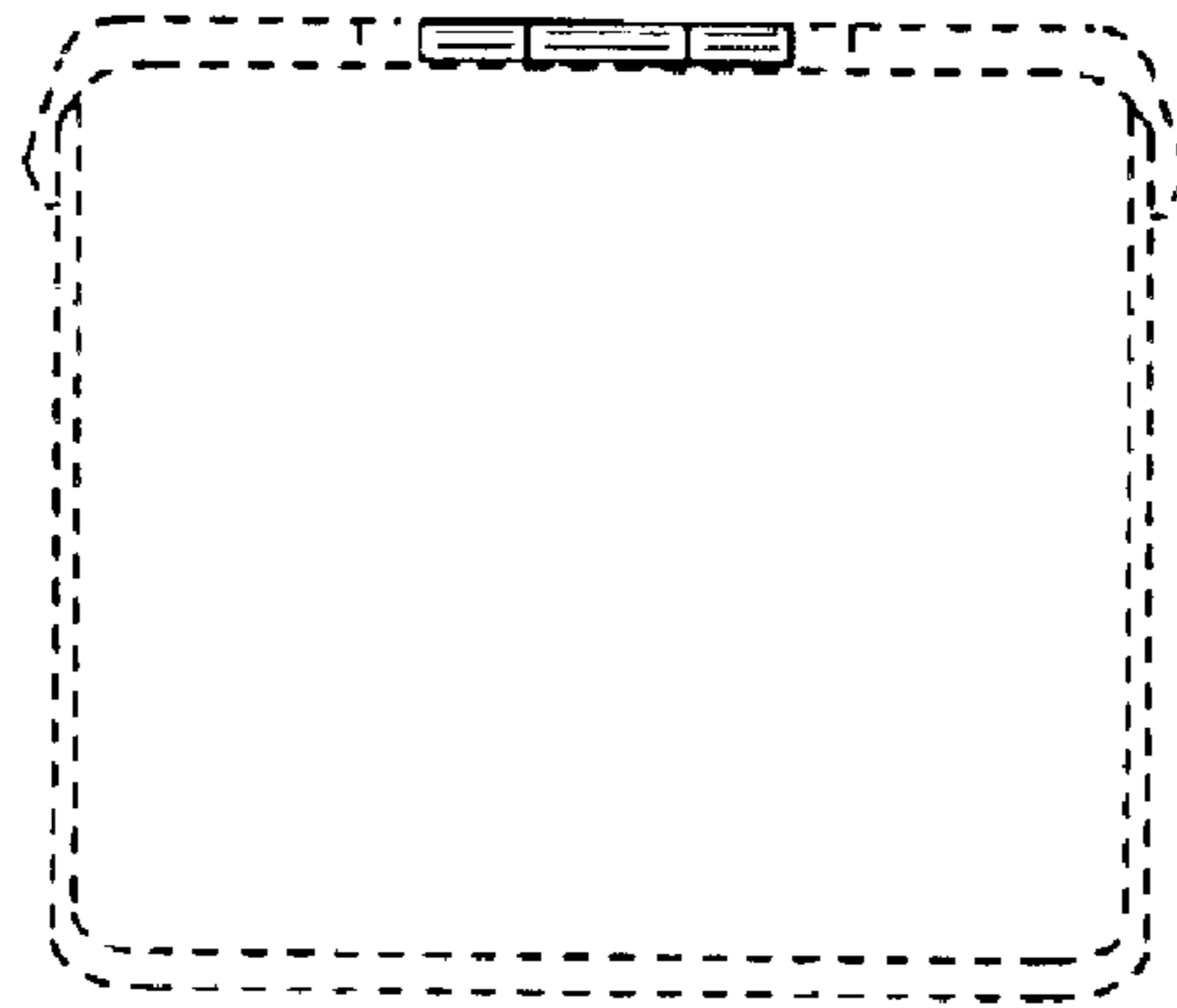


FIG. 2



*FIG. 3*