

US00D502944S

(12) **United States Design Patent**
Kawami et al.

(10) **Patent No.:** **US D502,944 S**
(45) **Date of Patent:** **** Mar. 15, 2005**

(54) **PERSONAL COMPUTER**

(75) Inventors: **Mitsuhiko Kawami**, Tokyo (JP);
Tomohiro Takizawa, Kawasaki (JP)
(73) Assignee: **Fujitsu Limited**, Kawasaki (JP)
(**) Term: **14 Years**

(21) Appl. No.: **29/203,006**
(22) Filed: **Apr. 8, 2004**

(30) **Foreign Application Priority Data**

Oct. 10, 2003 (JP) 2003-030054

(51) **LOC (7) Cl.** **14-02**
(52) **U.S. Cl.** **D14/336**
(58) **Field of Search** D14/371-375,
D14/125-129, 336, 341, 343, 424; D10/39;
348/180, 184, 325, 739; 248/917-924;
349/1, 2, 11, 62; 341/12; 345/104, 156,
168, 173, 87

(56) **References Cited**

U.S. PATENT DOCUMENTS

D323,125 S * 1/1992 Atagi et al. D10/39
D345,346 S * 3/1994 Alfonso et al. D14/341
D382,259 S * 8/1997 Nagai et al. D14/374
D396,452 S * 7/1998 Naruki D14/424
D451,505 S * 12/2001 Iseki et al. D14/341
D453,333 S * 2/2002 Chen D14/374
D458,252 S * 6/2002 Palm et al. D14/343

OTHER PUBLICATIONS

“PC Watch” showing Hewlett-Packard’s “TC 1000” issued before Oct. 10, 2003, printed in <http://www.watch.impress.co.jp/pc/docs/2002/1107/hp.html>.
“VA93J/GL”, NET catalogue, issued Jan. 2004.
“M1300”, Motion Computing Inc. catalogue, issued before Oct. 10, 2003.
“TC1100”, Hewlett-Packard catalogue, issued Mar. 2004.

* cited by examiner

Primary Examiner—Freda S. Nunn

(74) *Attorney, Agent, or Firm*—Staas & Halsey LLP

(57) **CLAIM**

The ornamental design for a personal computer, as shown and described.

DESCRIPTION

FIG. 1 is a perspective view of the front, bottom and right side of a personal computer showing our new design; FIG. 2 is a top plan view thereof; FIG. 3 is a front view thereof; FIG. 4 is a bottom view thereof; FIG. 5 is a left side view thereof; FIG. 6 is a right side view thereof; FIG. 7 is a rear view thereof; and, FIG. 8 is a perspective view of the usage thereof. The portions of the article in broken lines are shown for illustrative purposes only and form no part of the claimed design.

1 Claim, 5 Drawing Sheets

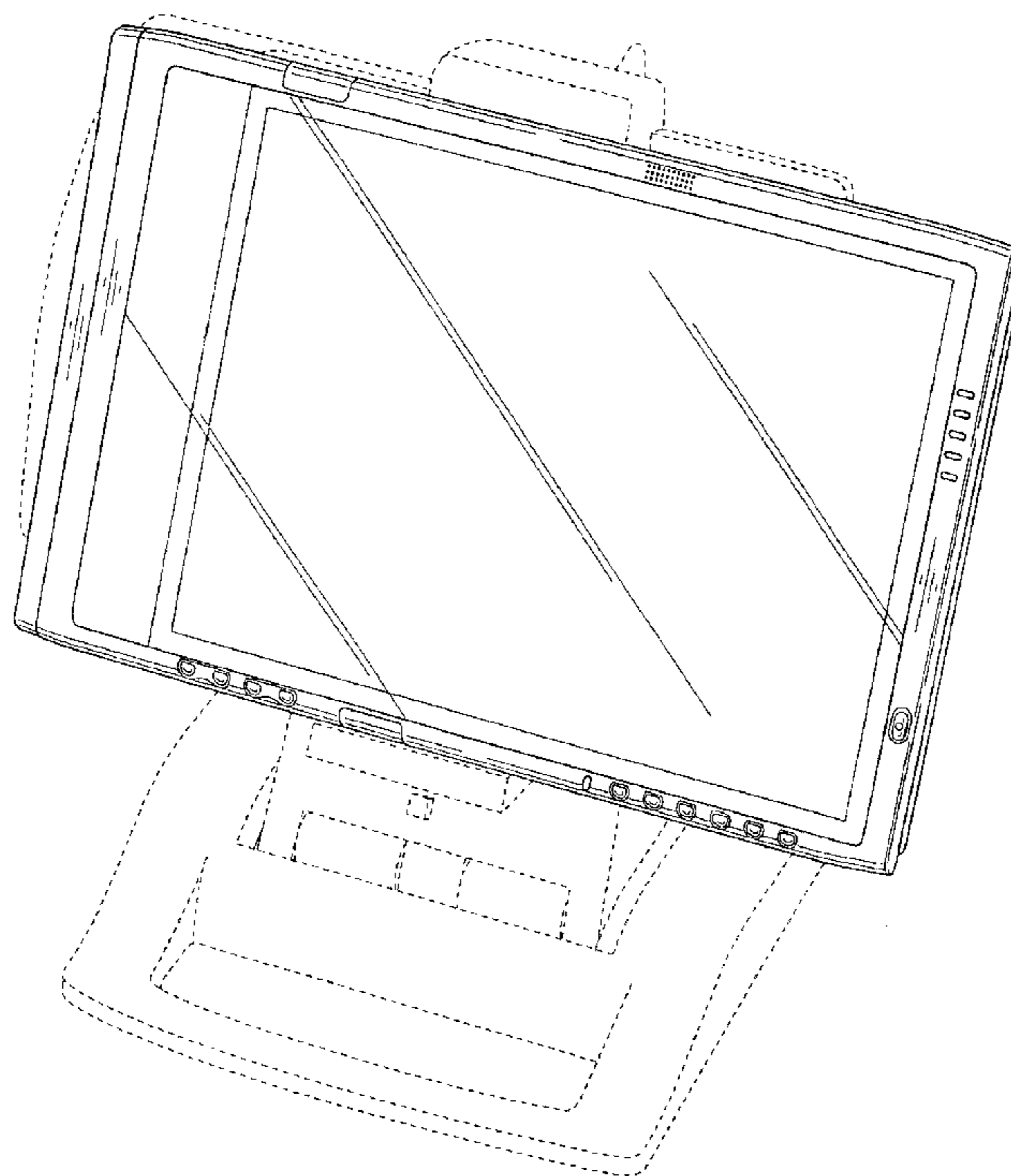


FIG. 1

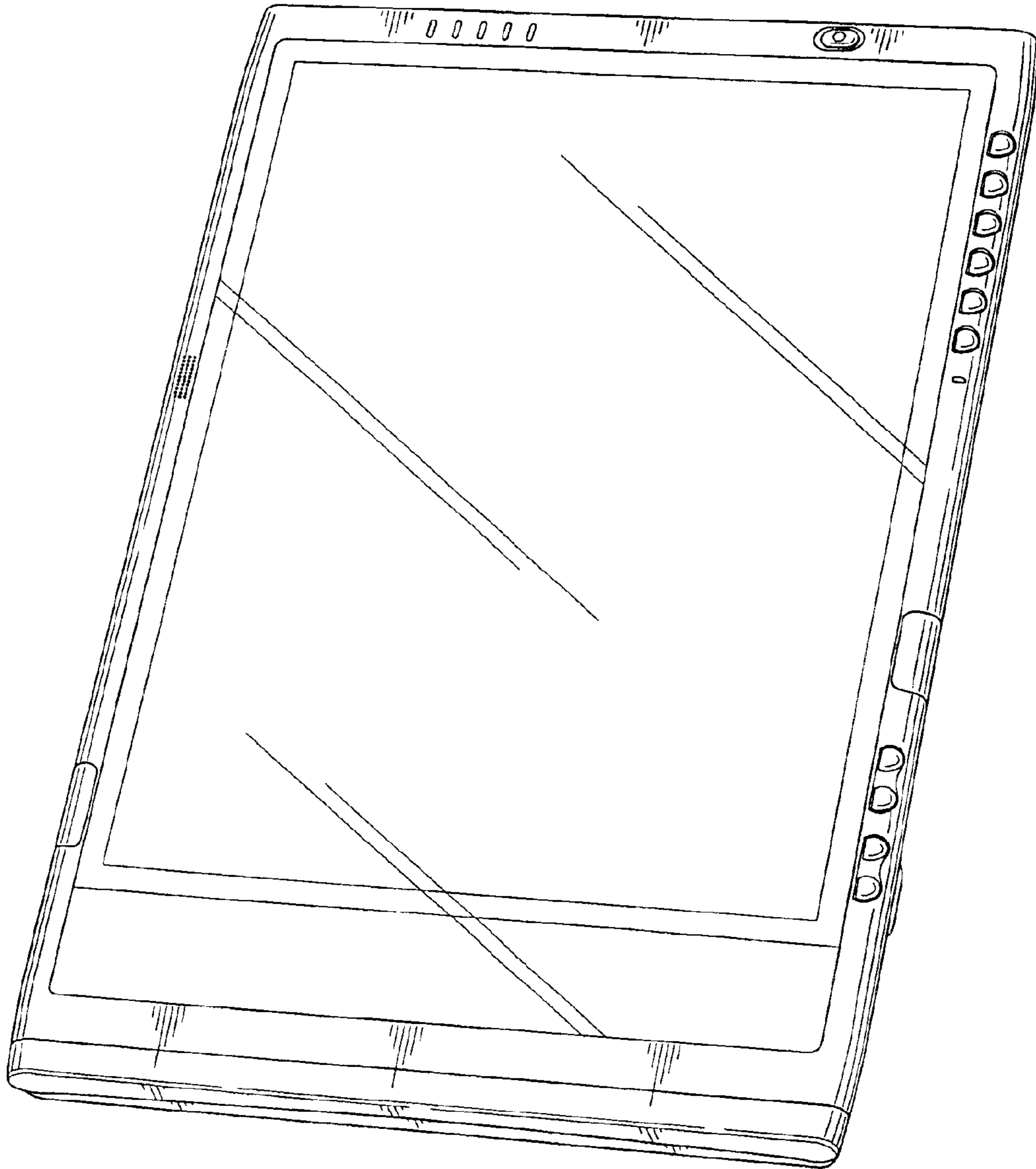


FIG. 2

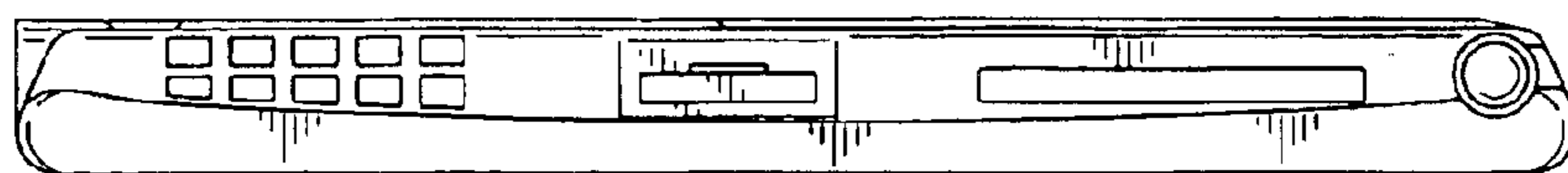


FIG. 3

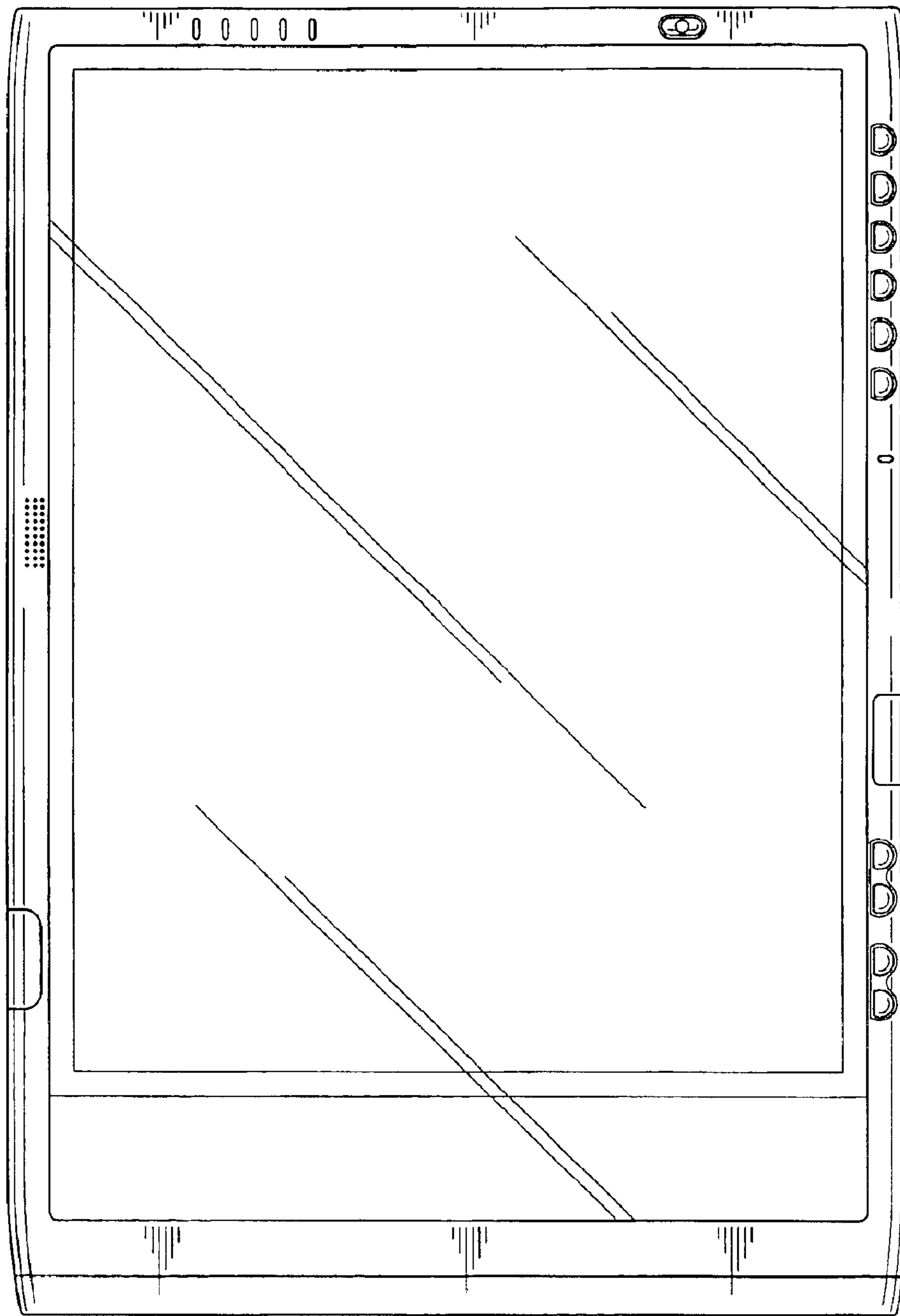


FIG. 4

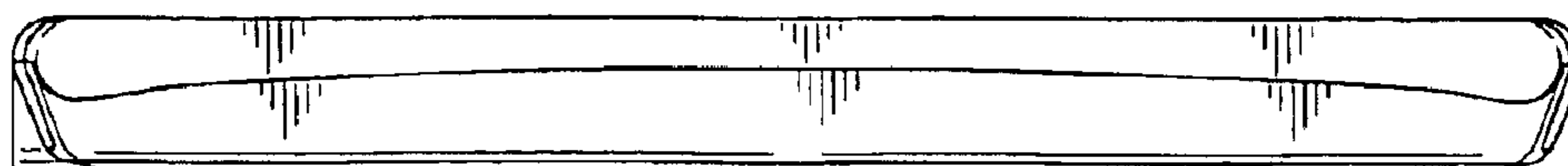


FIG. 5

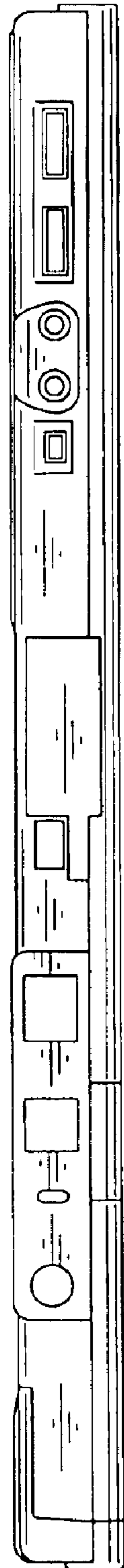


FIG. 6

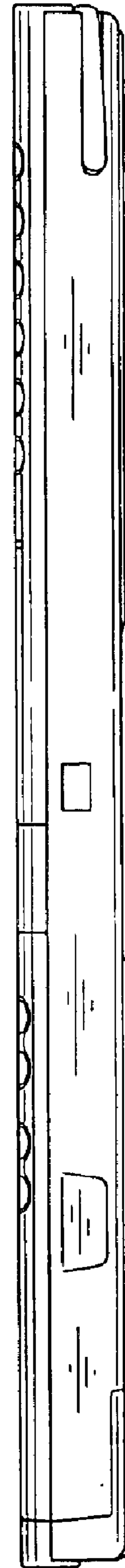


FIG. 7

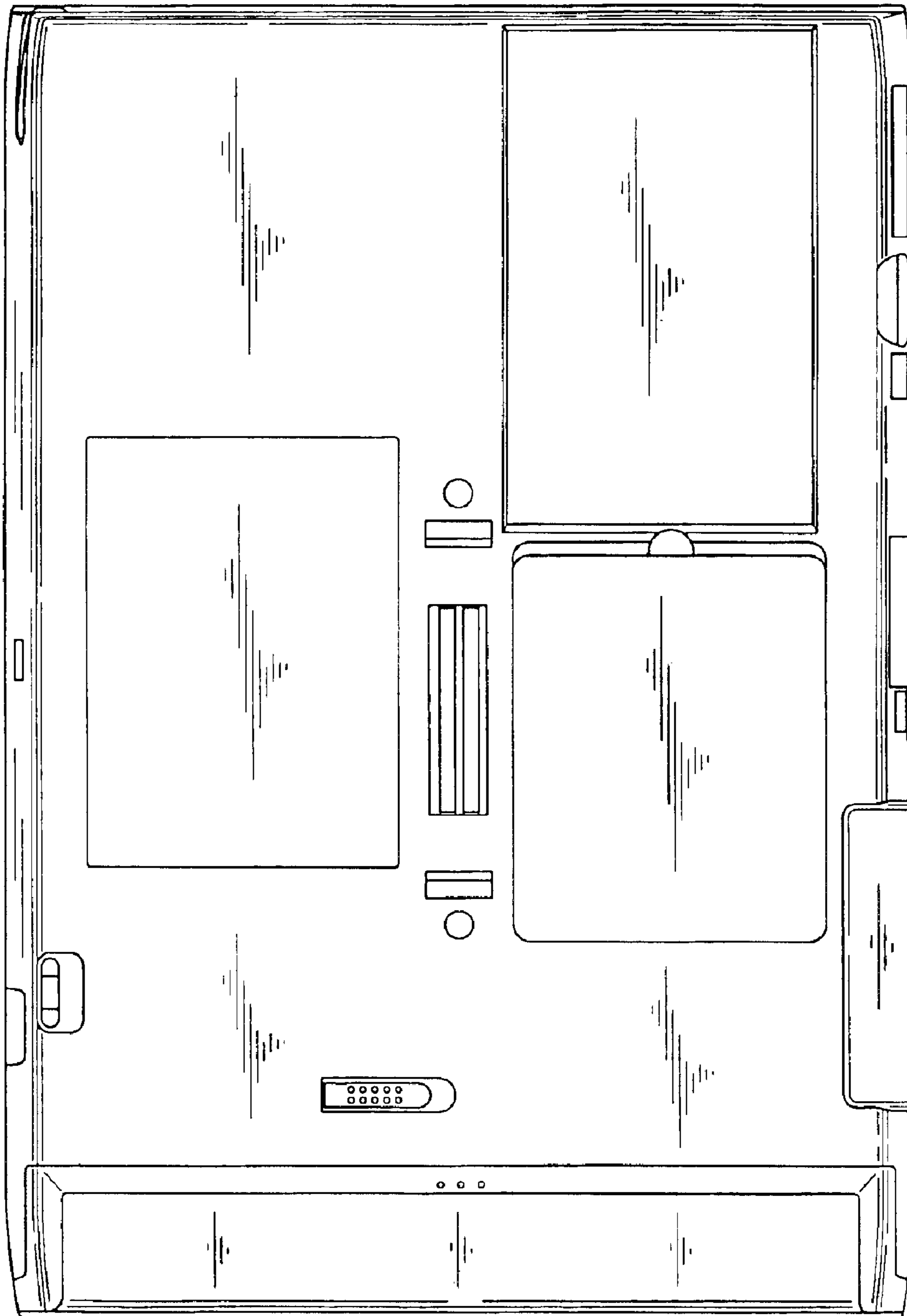


FIG. 8

