



US00D502942S

(12) **United States Design Patent**  
**Penke et al.**

(10) **Patent No.:** **US D502,942 S**  
(45) **Date of Patent:** **\*\* Mar. 15, 2005**

(54) **OUTPUT TOWER FOR A COMMUNITY COMMUNICATION HUB KIOSK**

6,078,848 A \* 6/2000 Bernstein et al. .... 700/237  
D455,536 S \* 4/2002 Lowe ..... D99/28  
D461,505 S \* 8/2002 Bain et al. .... D20/10  
D474,766 S \* 5/2003 Perscky de Fabrega ... D14/302

(75) Inventors: **Mark S. Penke**, West Henrietta, NY (US); **Donald A. Brown**, Honeoye Falls, NY (US)

\* cited by examiner

(73) Assignee: **Xerox Corporation**, Stamford, CT (US)

*Primary Examiner*—Freda S. Nunn  
(74) *Attorney, Agent, or Firm*—Tallam I. Nguti

(\*\*) Term: **14 Years**

(57) **CLAIM**

(21) Appl. No.: **29/192,790**

The ornamental design for an output tower for a community communication hub kiosk, as shown and described.

(22) Filed: **Oct. 30, 2003**

**DESCRIPTION**

(51) **LOC (7) Cl.** ..... **14-02**

(52) **U.S. Cl.** ..... **D14/302**

(58) **Field of Search** ..... D14/302-312;  
D20/10; D99/28; 360/99.01-99.12; 361/690-696;  
700/237

FIG. 1 is a perspective view showing the design of an output tower for a community communication hub kiosk of the present invention;  
FIG. 2 is a left side view thereof;  
FIG. 3 is a front view thereof;  
FIG. 4 is a right side view thereof; and,  
FIG. 5 is a top plan view thereof.

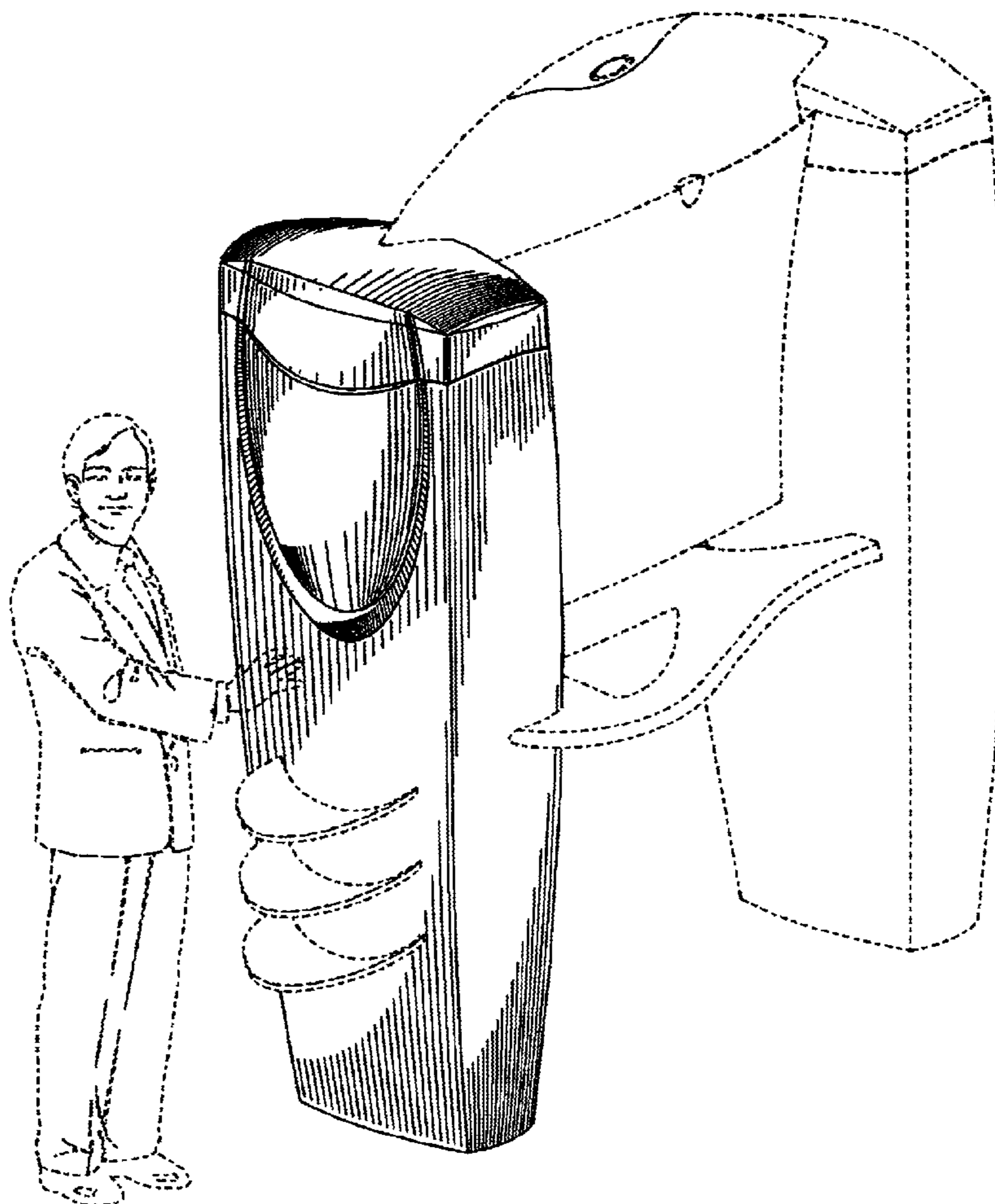
The broken lines showing in FIGS. 1-5 are for illustrative purposes only and do not form part of the claimed design.

(56) **References Cited**

**U.S. PATENT DOCUMENTS**

D388,230 S \* 12/1997 Quinn ..... D99/28

**1 Claim, 5 Drawing Sheets**



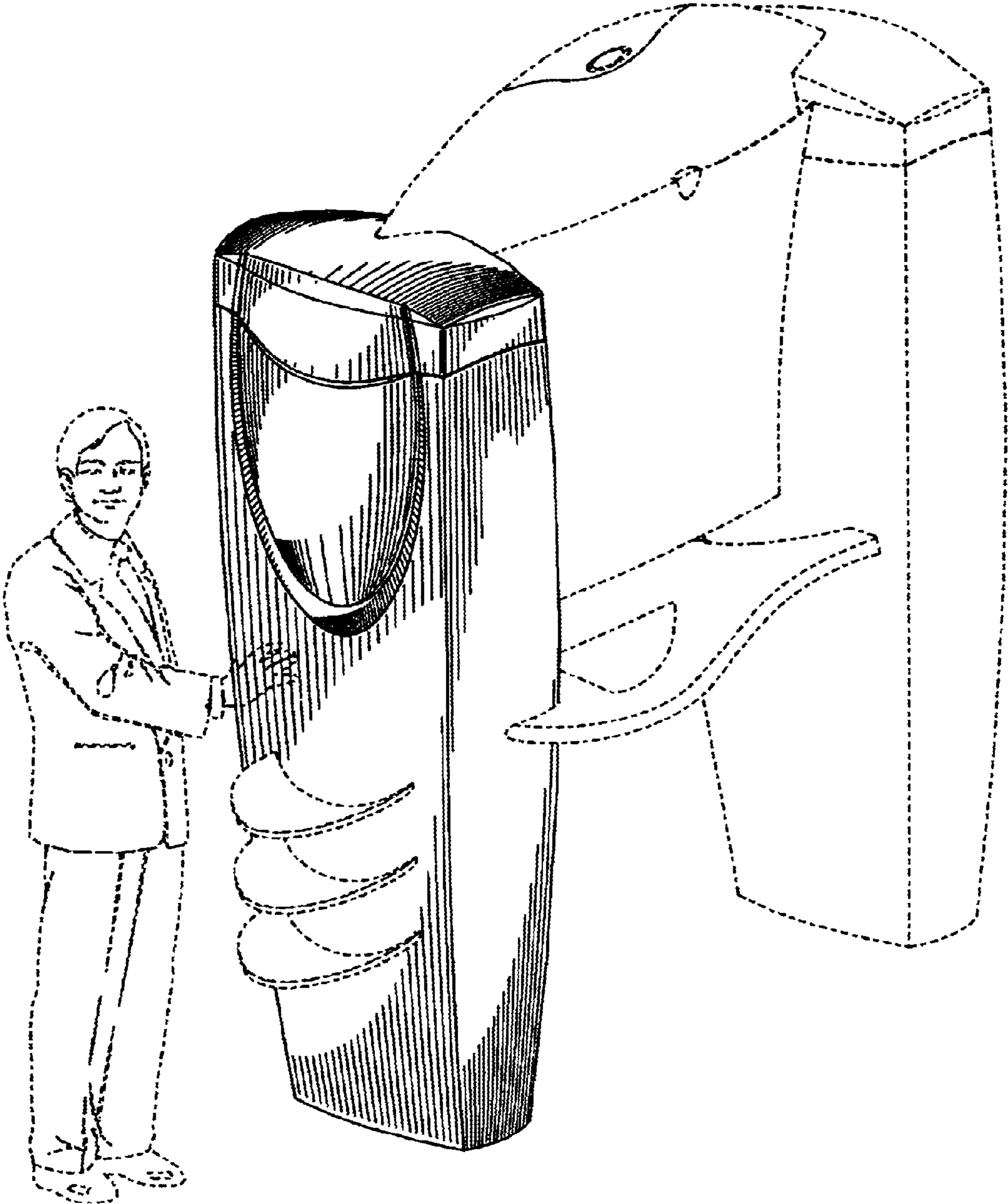


FIG. 1

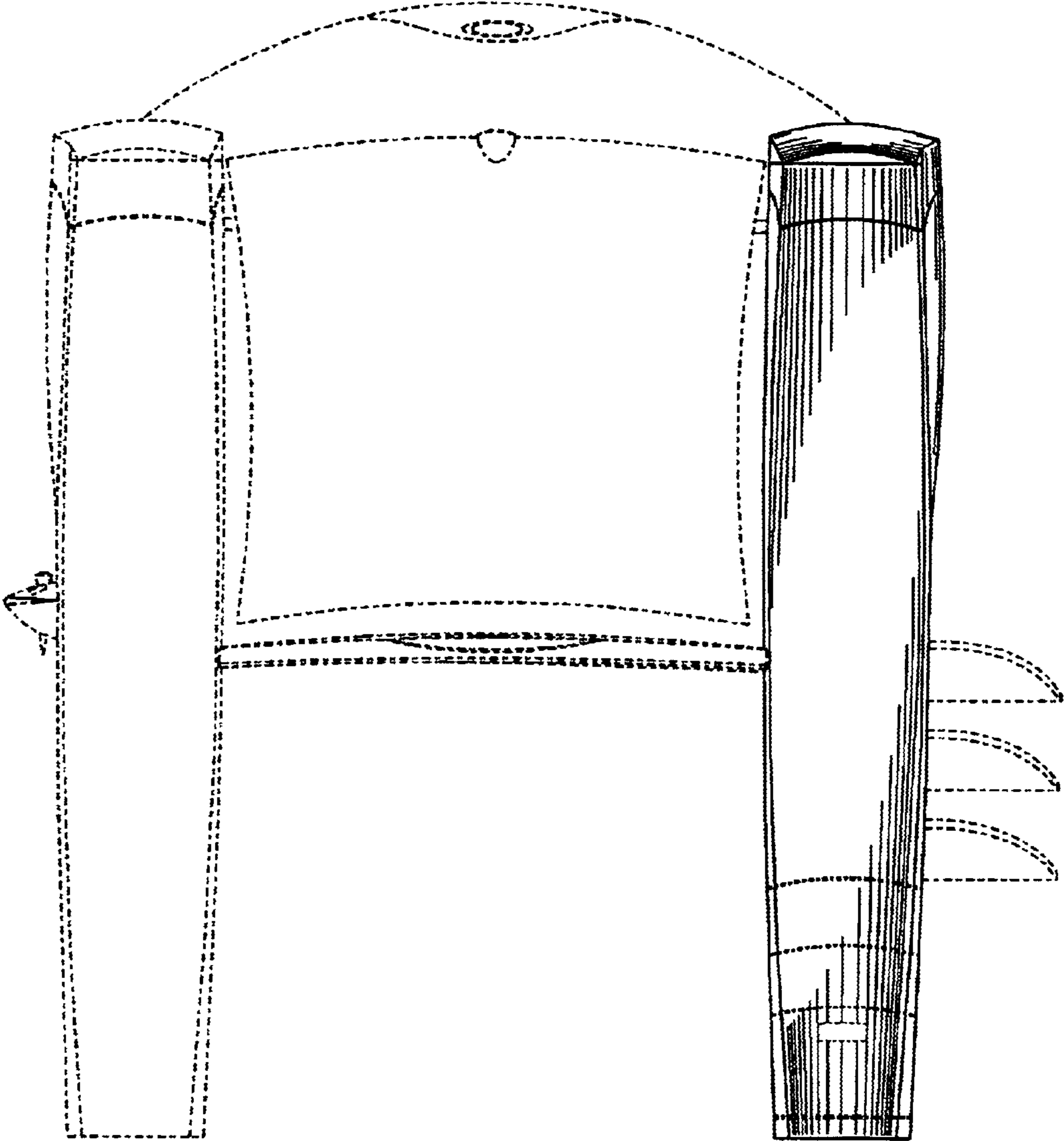
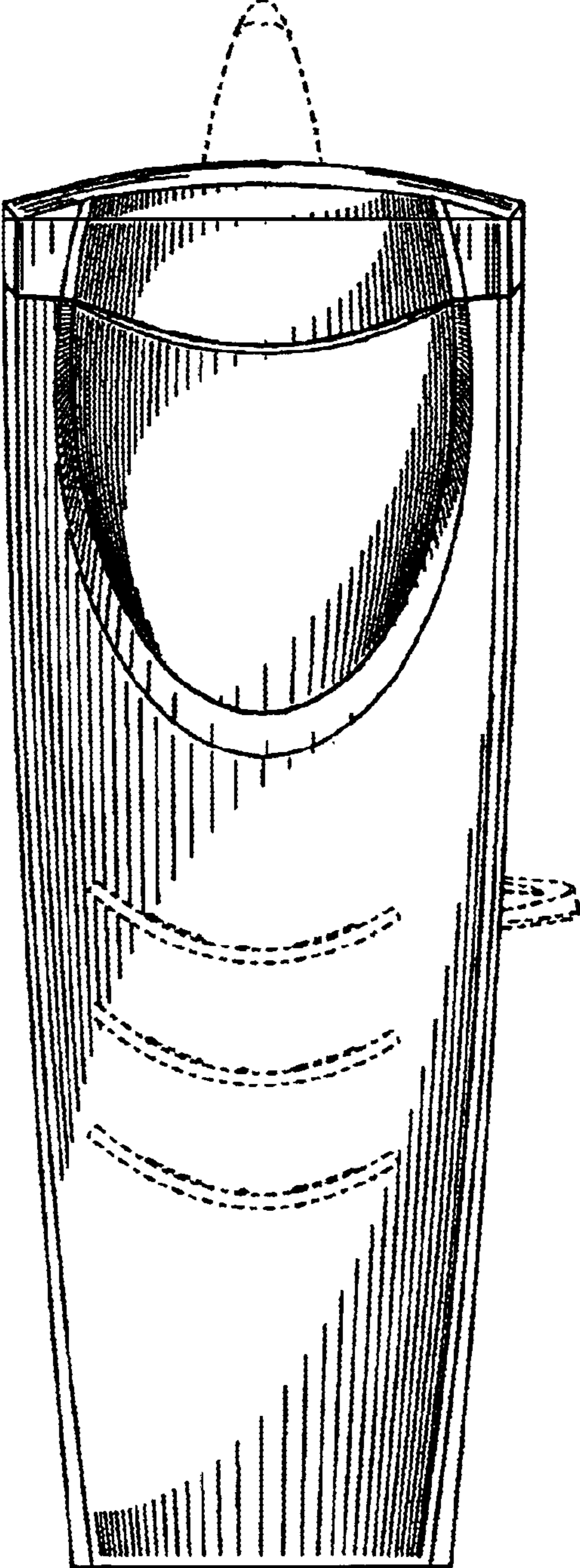


FIG. 2



**FIG. 3**

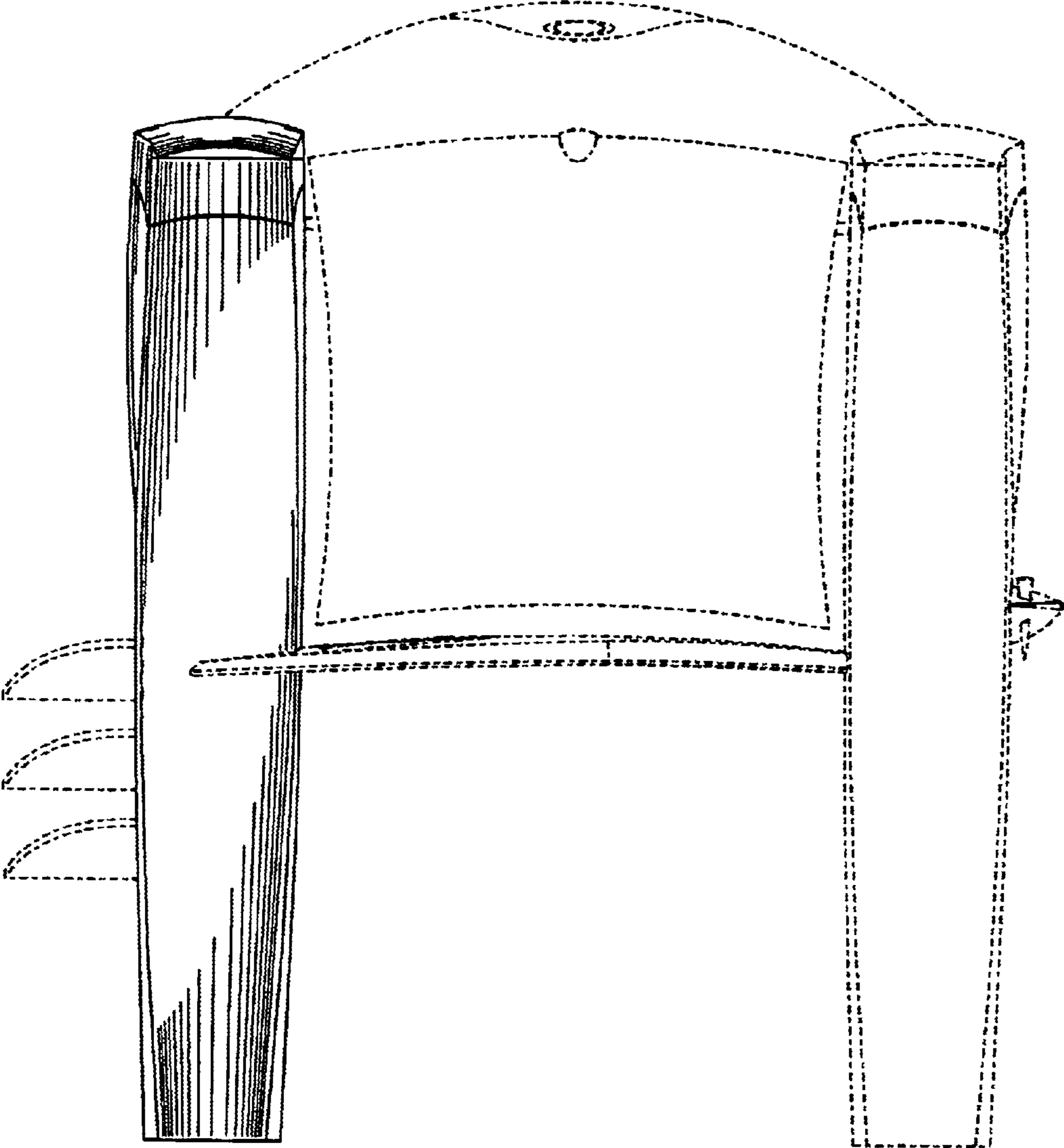
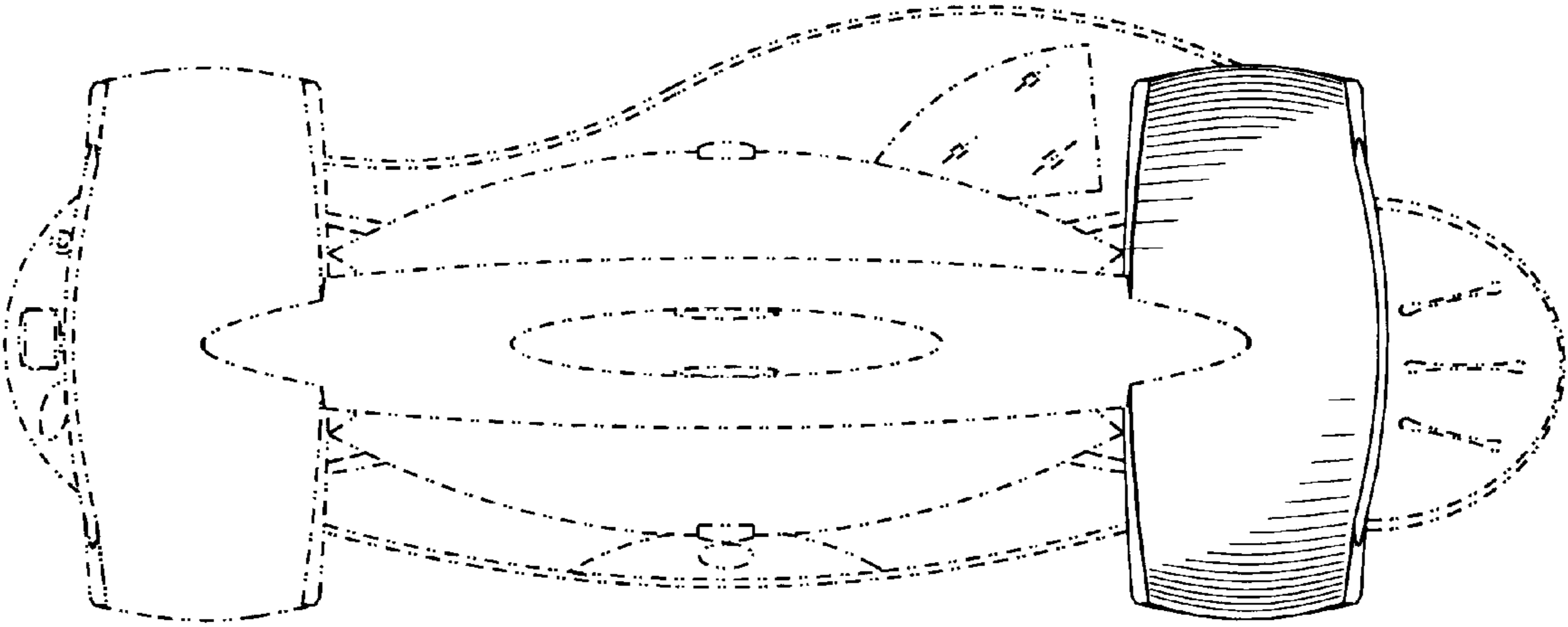


FIG. 4



**FIG. 5**