

US00D502941S

(12) **United States Design Patent**
Nakata et al.

(10) **Patent No.:** **US D502,941 S**
(45) **Date of Patent:** **** Mar. 15, 2005**

(54) **DISK CARTRIDGE**

D385,261 S * 10/1997 Akiba D14/260.1
D398,604 S * 9/1998 Aoki D14/260.1

(75) Inventors: **Kuniko Nakata**, Osaka (JP); **Teruyuki Takizawa**, Osaka (JP); **Yoshito Saji**, Hyogo (JP); **Hironori Okazawa**, Osaka (JP)

FOREIGN PATENT DOCUMENTS

JP 1019310 8/1998
JP 1019967 8/1998
JP 1039161 5/1999

(73) Assignee: **Matsushita Electric Industrial Co., Ltd.**, Kadoma (JP)

* cited by examiner

(**) Term: **14 Years**

Primary Examiner—Nanda Bondade

(21) Appl. No.: **29/176,981**

(74) *Attorney, Agent, or Firm*—Christensen O'Connor Johnson Kindness PLLC

(22) Filed: **Feb. 27, 2003**

(57) **CLAIM**

(30) **Foreign Application Priority Data**

The ornamental design for a disk cartridge, as shown and described.

Aug. 30, 2002 (JP) 2002-023425

DESCRIPTION

(51) **LOC (7) Cl.** **14-99**

FIG. 1 is a perspective view of the top, front and right side of a disk cartridge showing our new design;

(52) **U.S. Cl.** **D14/260.1**

FIG. 2 is a top plan view thereof;

(58) **Field of Search** D14/156, 217,

FIG. 3 is a bottom view thereof;

D14/260, 260.1; 369/75.1, 75.2, 77.1, 77.2;

FIG. 4 is a front view thereof;

455/344, 347-35

FIG. 5 is a right side view thereof;

(56) **References Cited**

U.S. PATENT DOCUMENTS

4,561,085 A * 12/1985 Funabashi 369/77.1

5,105,414 A * 4/1992 Funabashi et al. 369/75.2

D367,278 S * 2/1996 Moriwaki et al. D14/260.1

FIG. 6 is a rear view thereof;

FIG. 7 is a left side view thereof; and,

FIG. 8 is a perspective view thereof showing the shutter in open condition.

1 Claim, 4 Drawing Sheets

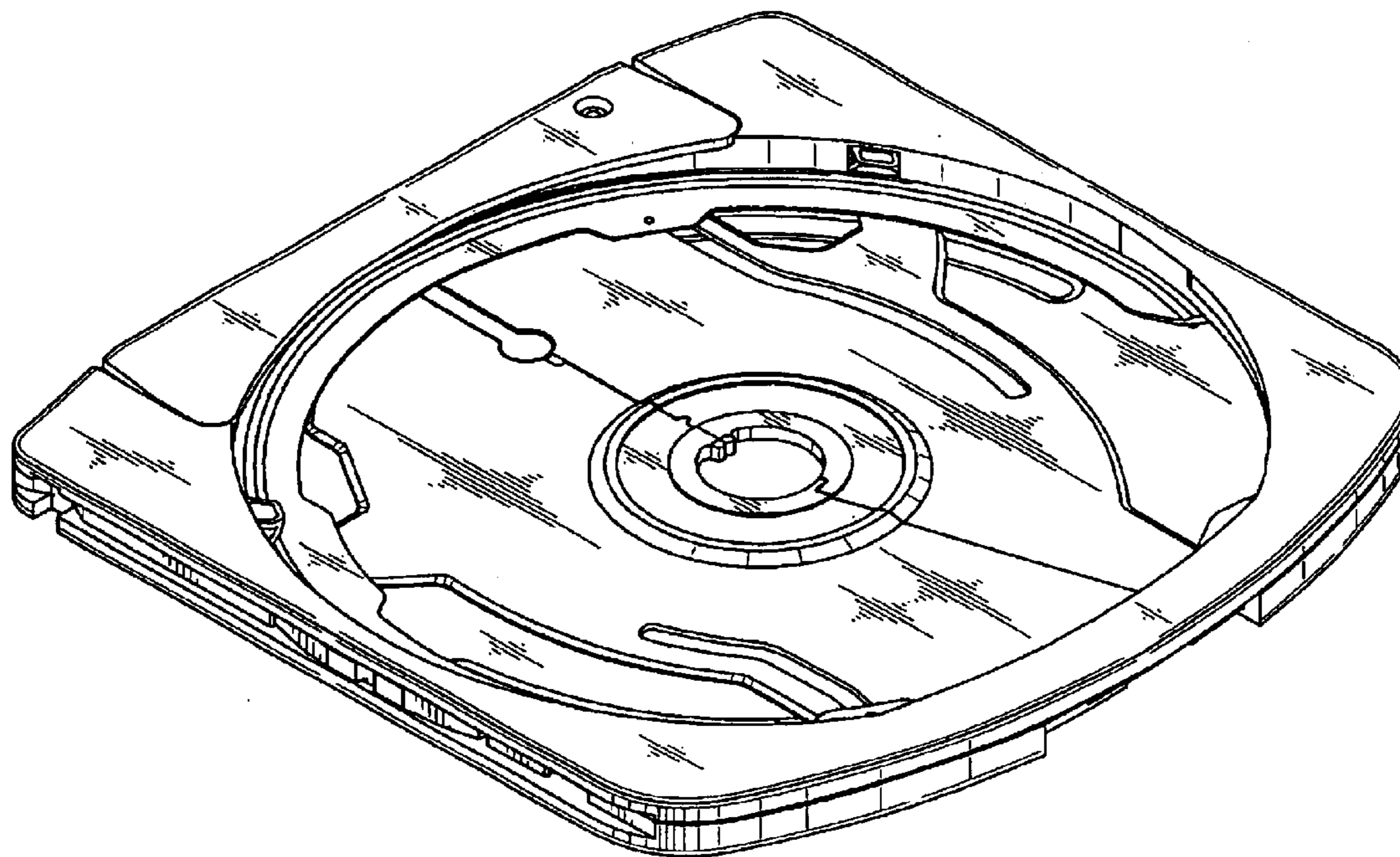


FIG. 1

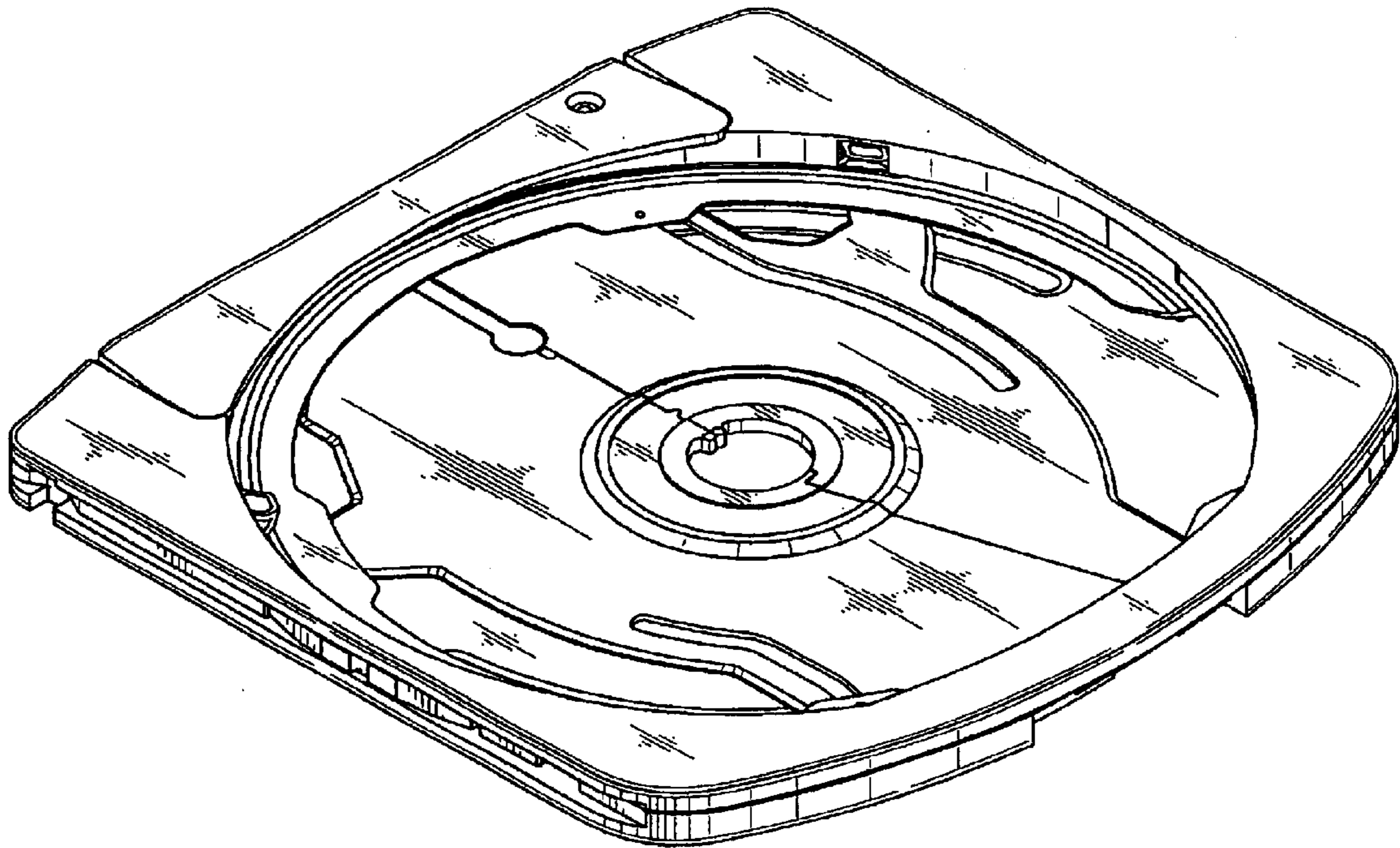


FIG. 2



FIG. 3



FIG. 5

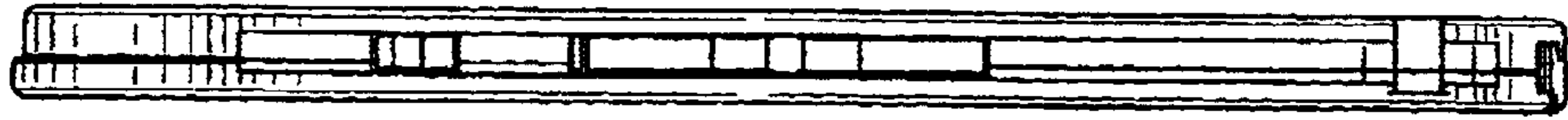


FIG. 4

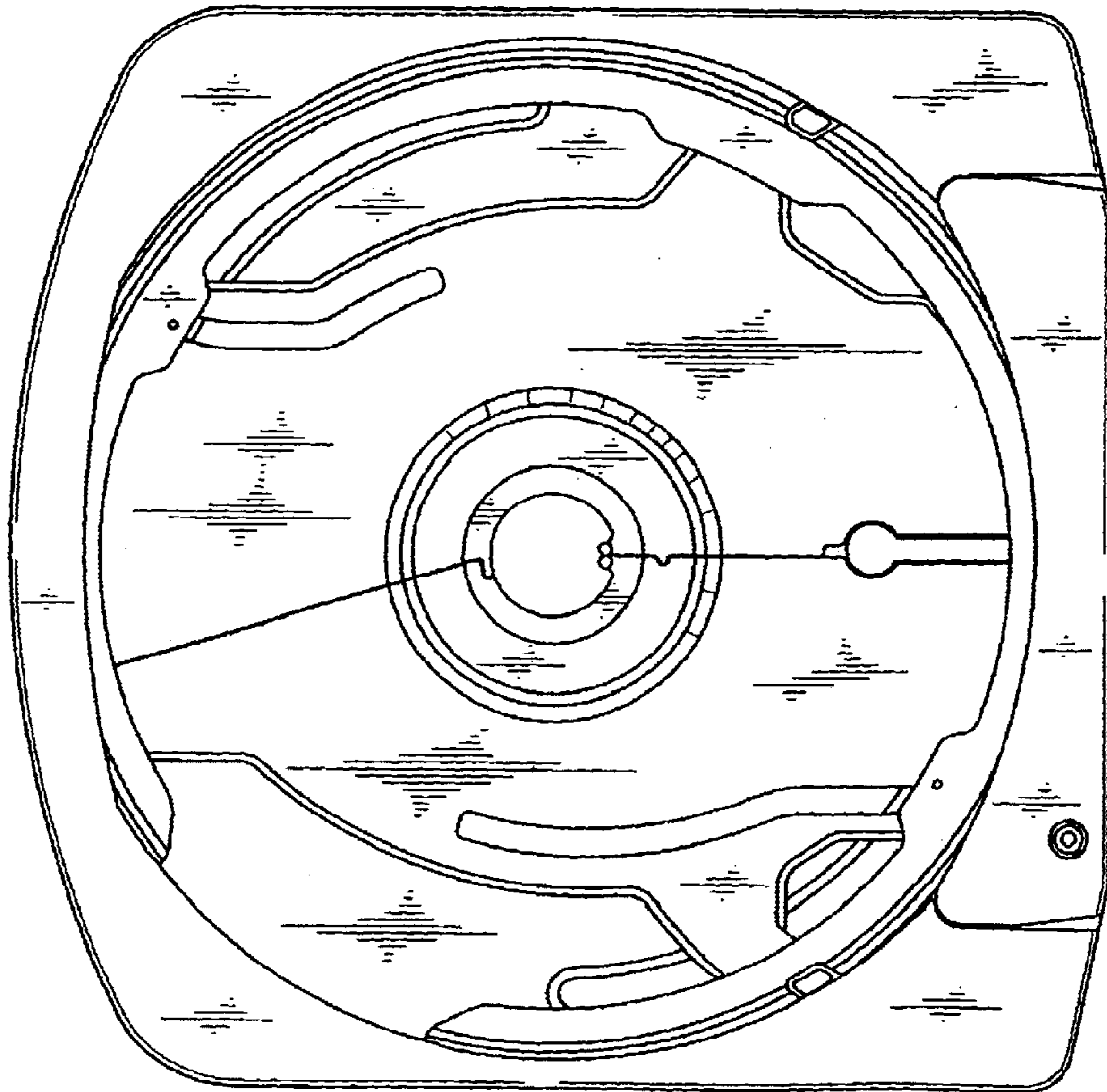


FIG. 7

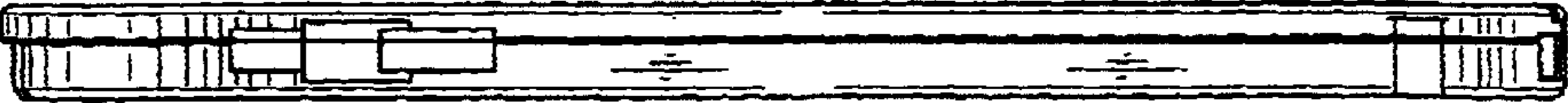


FIG. 6

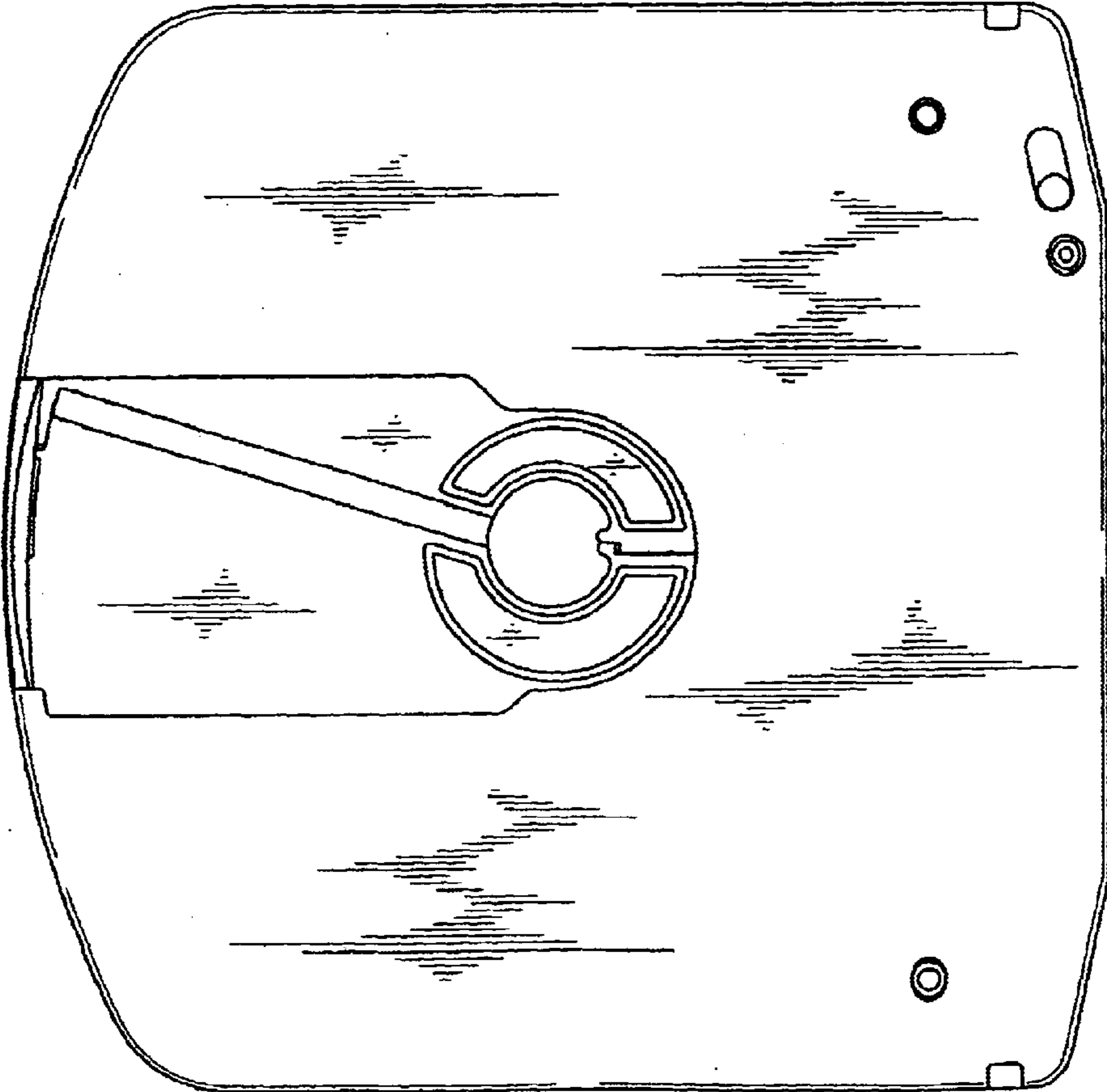


FIG. 8

