

US00D502940S

(12) **United States Design Patent**
Degnen

(10) **Patent No.:** **US D502,940 S**
(45) **Date of Patent:** **** Mar. 15, 2005**

(54) **TELECOMMUNICATIONS DEVICE**

4,295,702 A * 10/1981 Snyder 439/425
D393,264 S * 4/1998 Leung et al. D14/256
D397,695 S * 9/1998 Wittmeier et al. D14/256

(75) Inventor: **Stephen M. Degnen**, Upper Arlington,
OH (US)

FOREIGN PATENT DOCUMENTS

(73) Assignee: **Inter-Continental Hotels Corporation**,
Upper Arlington, OH (US)

GB 2044700 * 5/1995
GB 3007508 * 3/2003

(**) Term: **14 Years**

* cited by examiner

(21) Appl. No.: **29/172,862**

Primary Examiner—Charles A. Rademaker
(74) *Attorney, Agent, or Firm*—Baker Botts L.L.P.

(22) Filed: **Dec. 19, 2002**

(57) **CLAIM**

(30) **Foreign Application Priority Data**

The ornamental design for a telecommunications device, as shown and described.

Aug. 29, 2002 (GB) 3004922

DESCRIPTION

(51) **LOC (7) Cl.** **14-03**

(52) **U.S. Cl.** **D14/256**

(58) **Field of Search** D14/240, 253,
D14/248, 250, 147, 138, 144, 140; 579/420.02,
419, 420.04, 440, 457; D13/123, 133, 147,
199

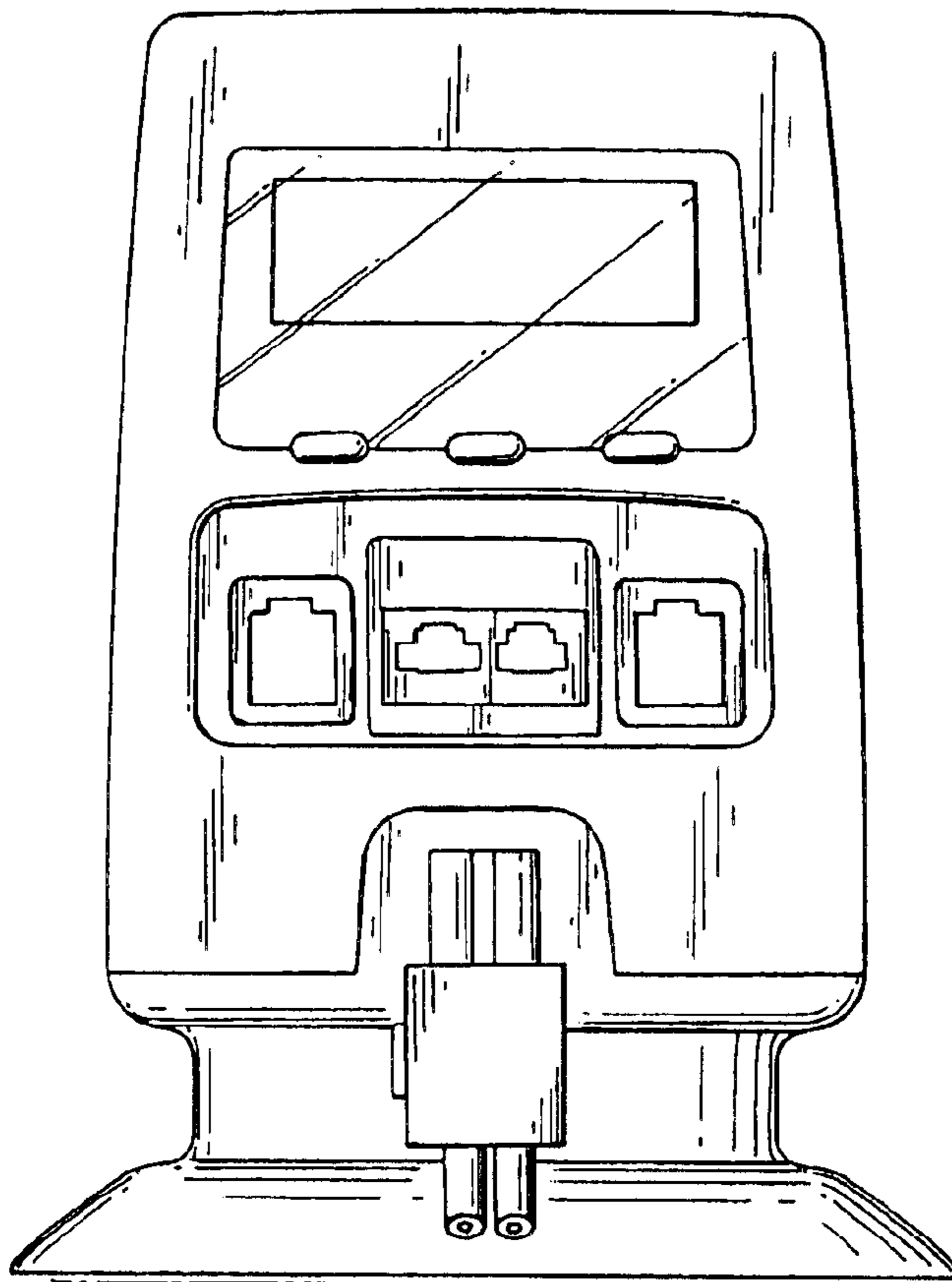
FIG. 1 is a front view elevation of a telecommunications device showing my new design;
FIG. 2 is a top and front perspective view thereof; and,
FIG. 3 is a rear and side perspective view thereof, the side opposite being substantially a mirror image.
The broken lines shown in FIGS. 1 and 3 are for illustrative purposes only and form no part of the claimed design.

(56) **References Cited**

U.S. PATENT DOCUMENTS

4,241,974 A * 12/1980 Hardesty 439/638

1 Claim, 3 Drawing Sheets



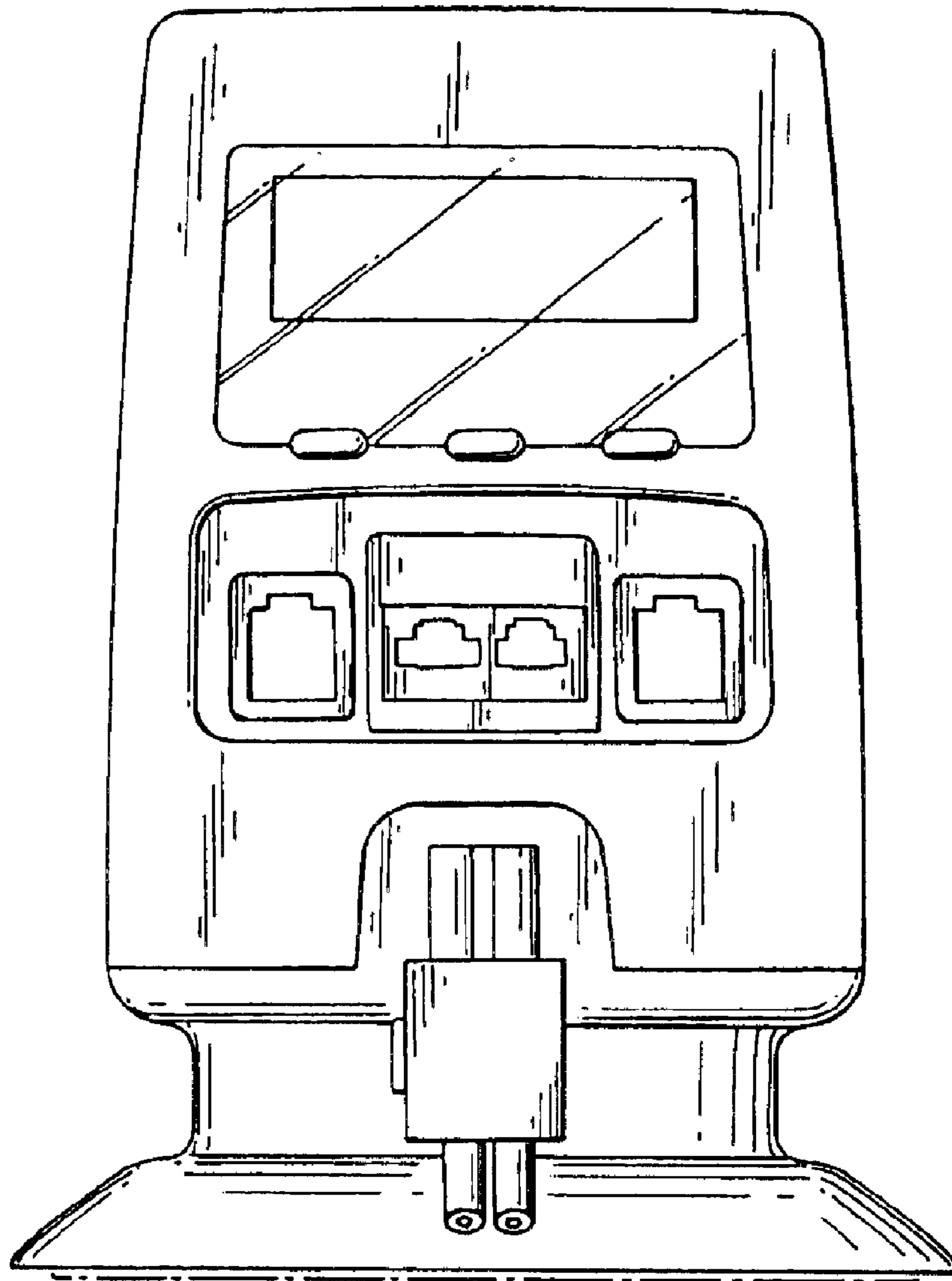


Fig. 1

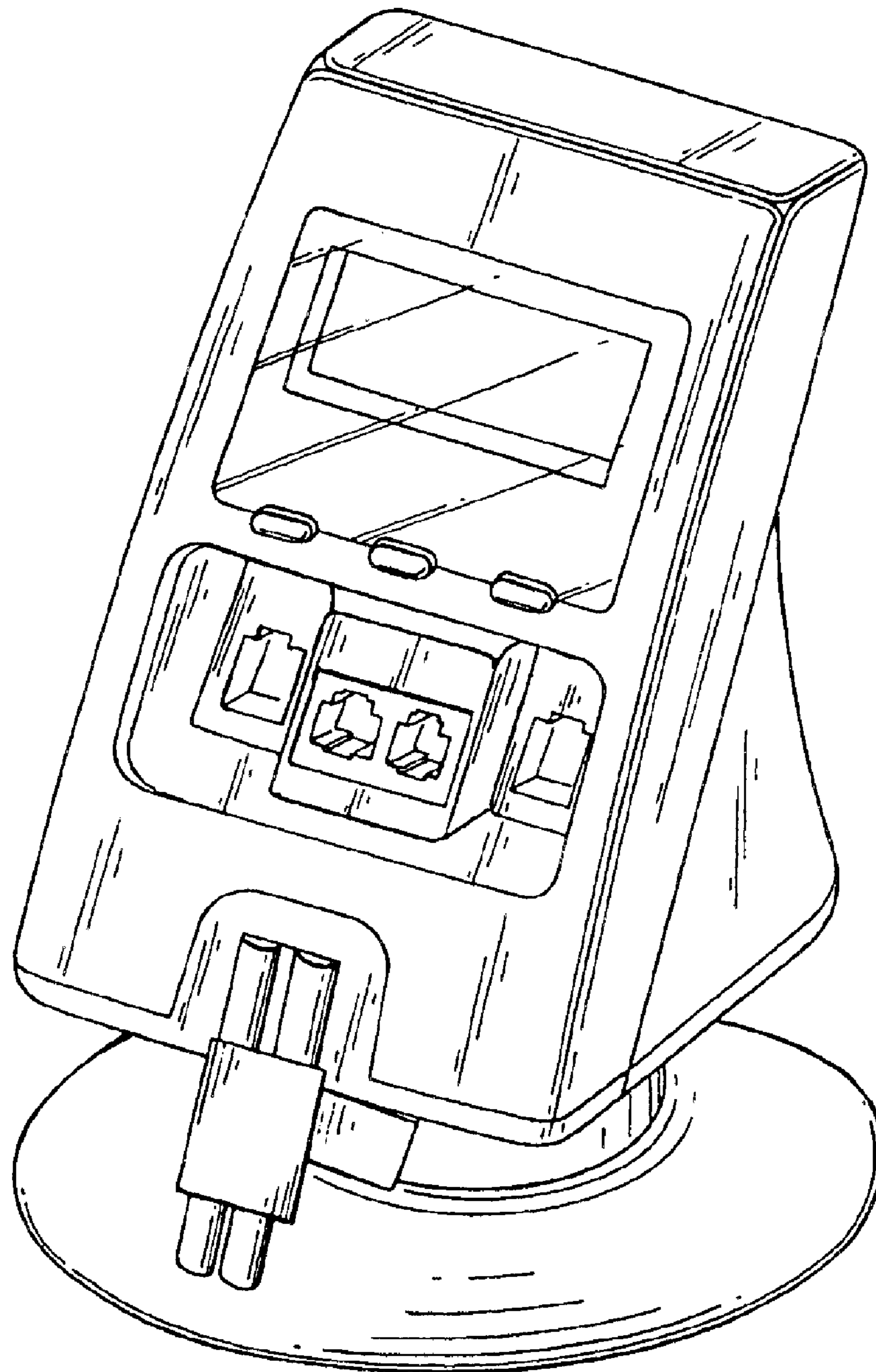


Fig. 2

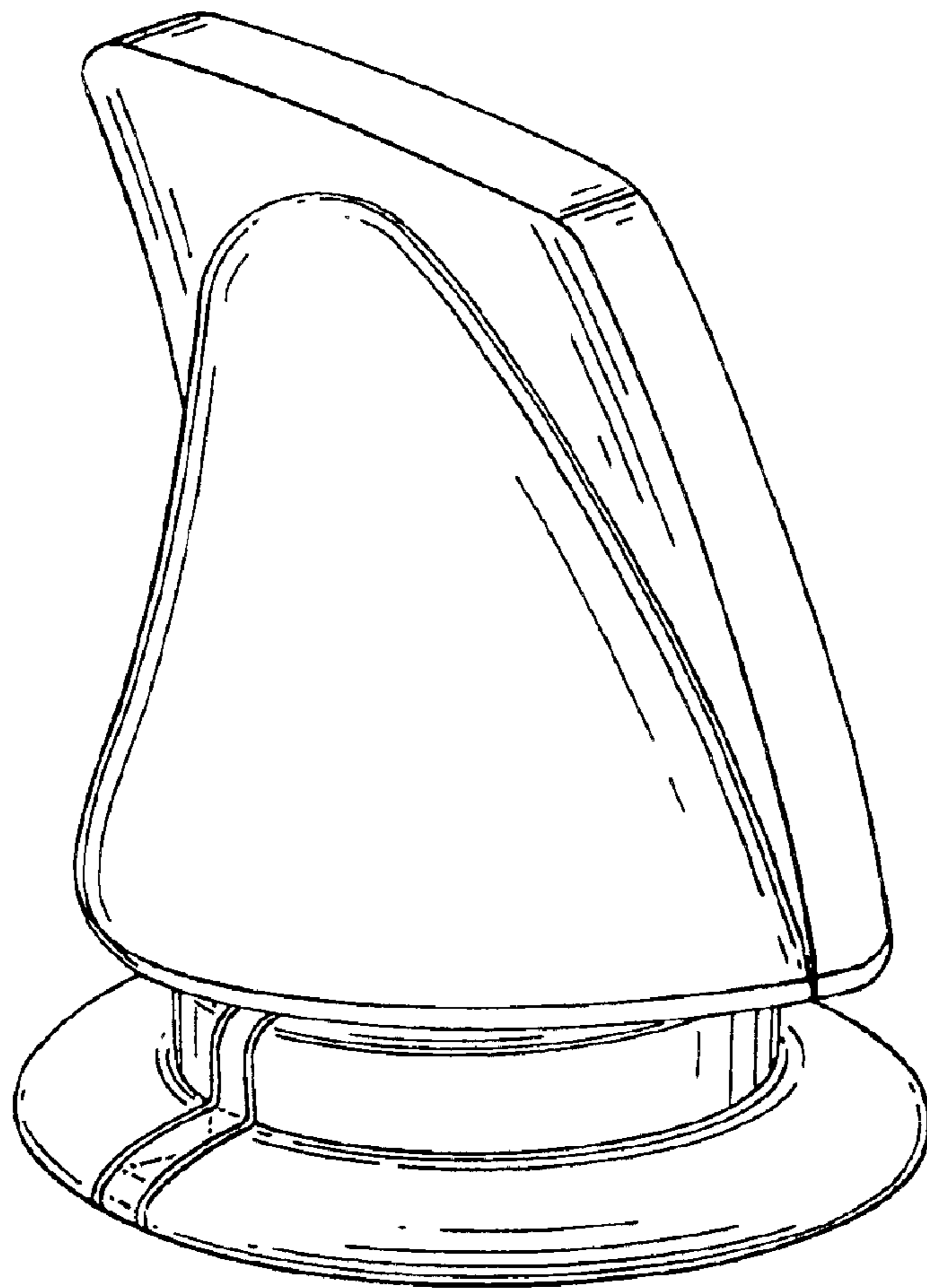


Fig. 3