

US00D502939S

(12) **United States Design Patent**
Dayan

(10) **Patent No.:** **US D502,939 S**
(45) **Date of Patent:** **** Mar. 15, 2005**

(54) **SPEAKER**

D400,884 S * 11/1998 Christie, II D14/216

(75) Inventor: **Mervin A. Dayan**, Oakhurst, NJ (US)

* cited by examiner

(73) Assignee: **Roadmaster (USA) Corp.**, Eatontown, NJ (US)

Primary Examiner—Nanda Bondade

(74) *Attorney, Agent, or Firm*—Wolf, Block, Schorr & Solis-Cohen, LLP; Robert F. Zielinski, Esq.; Richard C. Weinblatt, Esq.

(**) Term: **14 Years**

(21) Appl. No.: **29/194,124**

(22) Filed: **Nov. 19, 2003**

(57) **CLAIM**

The ornamental design for a speaker, as shown and described.

(51) **LOC (7) Cl.** **14-01**

(52) **U.S. Cl.** **D14/216**

(58) **Field of Search** D14/204, 207,
D14/209–216, 356, 221–222, 224; 181/143–144,
147–148, 150, 157, 198–199, 151, 153;
381/300–302, 306, 333, 345, 361–364,
386–388, 332, 336

DESCRIPTION

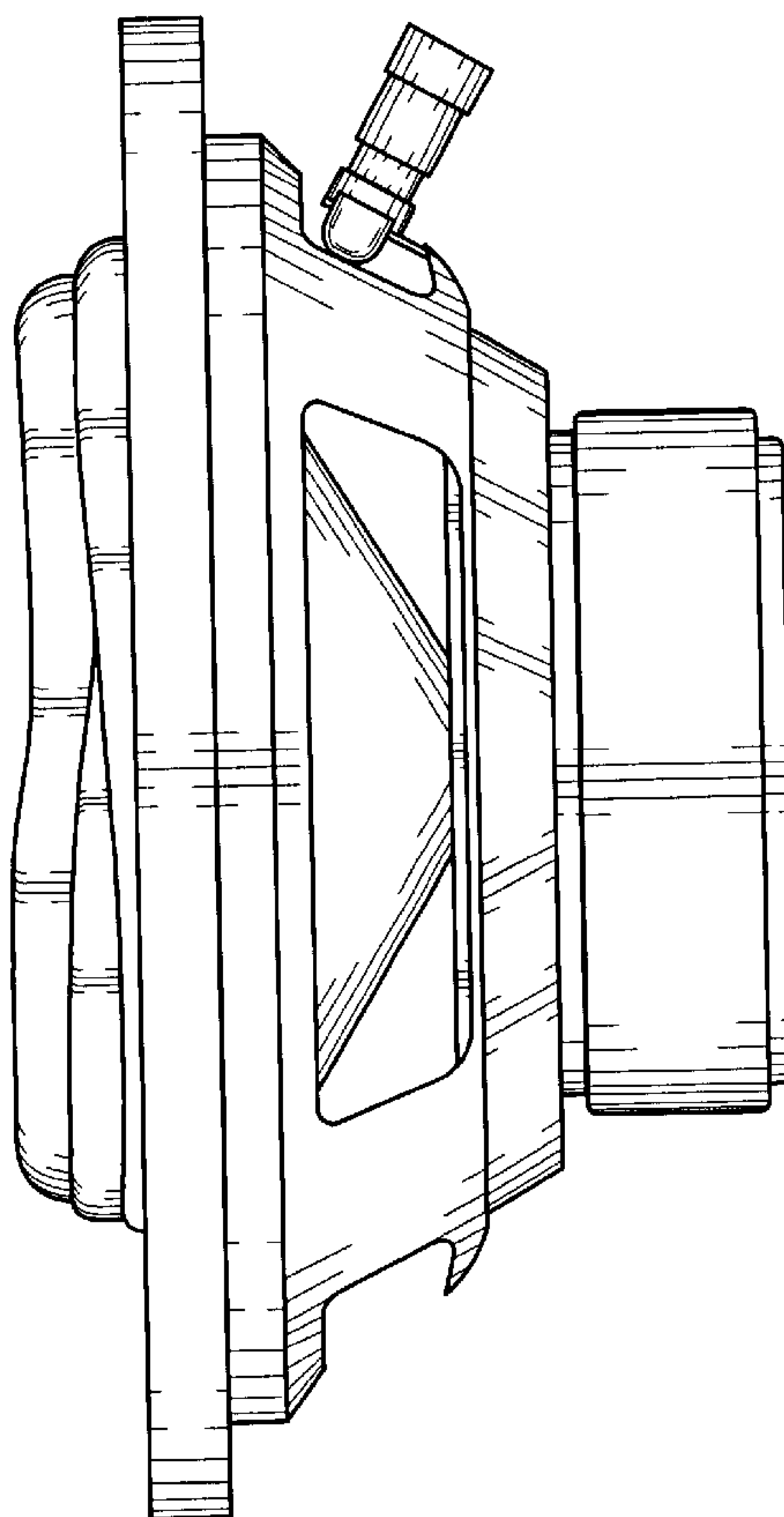
FIG. 1 is a front view of a speaker showing my new design; FIG. 2 is a side view thereof; FIG. 3 is a rear view thereof; and FIG. 4 is a rear perspective view thereof. FIG. 5 is a front view showing a second embodiment of the speaker. FIG. 6 is a side view showing a second embodiment of the speaker. FIG. 7 is a rear view showing a second embodiment of the speaker; and, FIG. 8 is a rear perspective view showing a second embodiment of the speaker.

(56) **References Cited**

U.S. PATENT DOCUMENTS

- D254,252 S * 2/1980 Matsubara D14/216
- D280,818 S * 10/1985 Clover, Jr. D14/215
- 4,672,675 A * 6/1987 Powell et al. 381/186
- D336,475 S * 6/1993 Christie D14/215
- D393,641 S * 4/1998 Hai-Fu D14/216

1 Claim, 8 Drawing Sheets



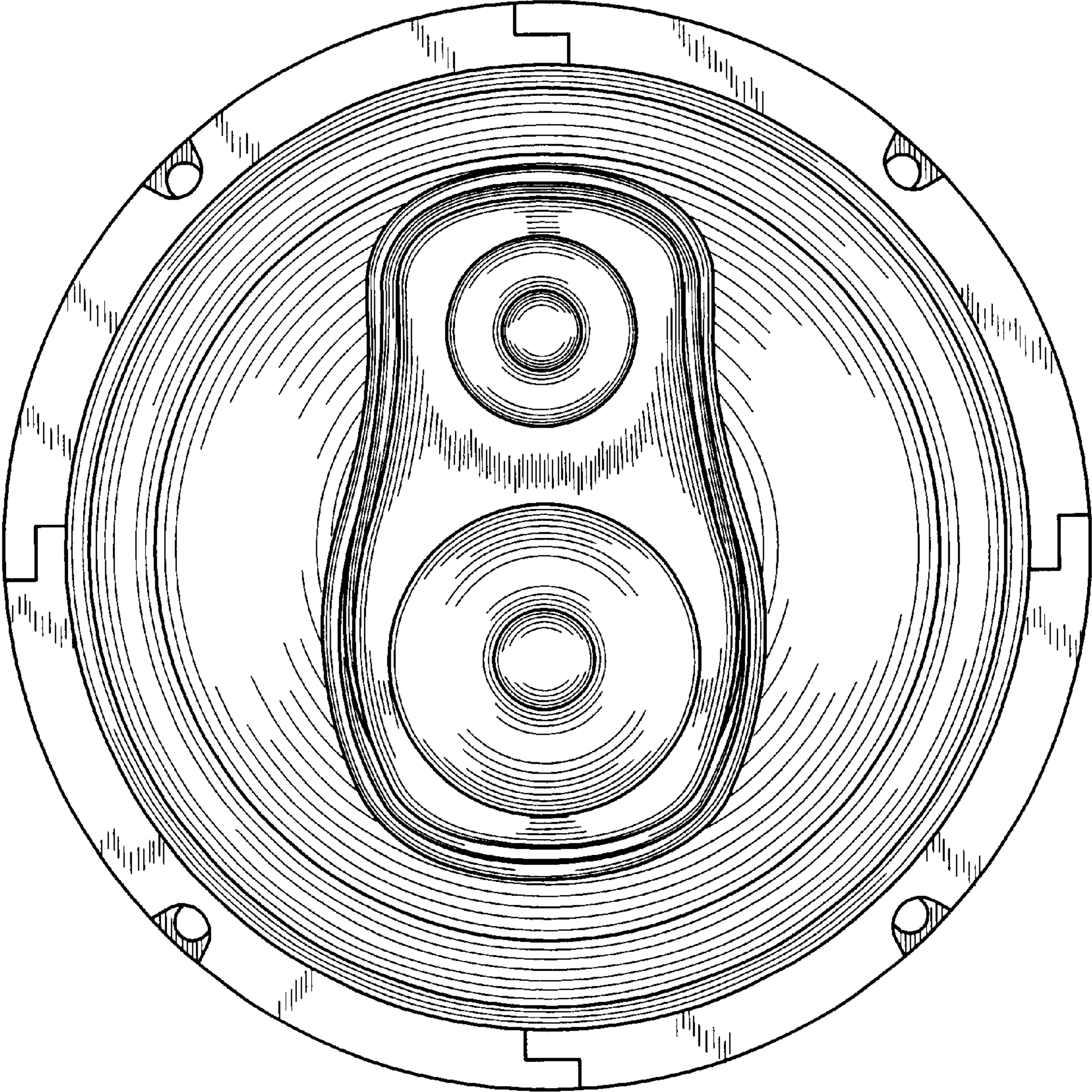


FIG. 1

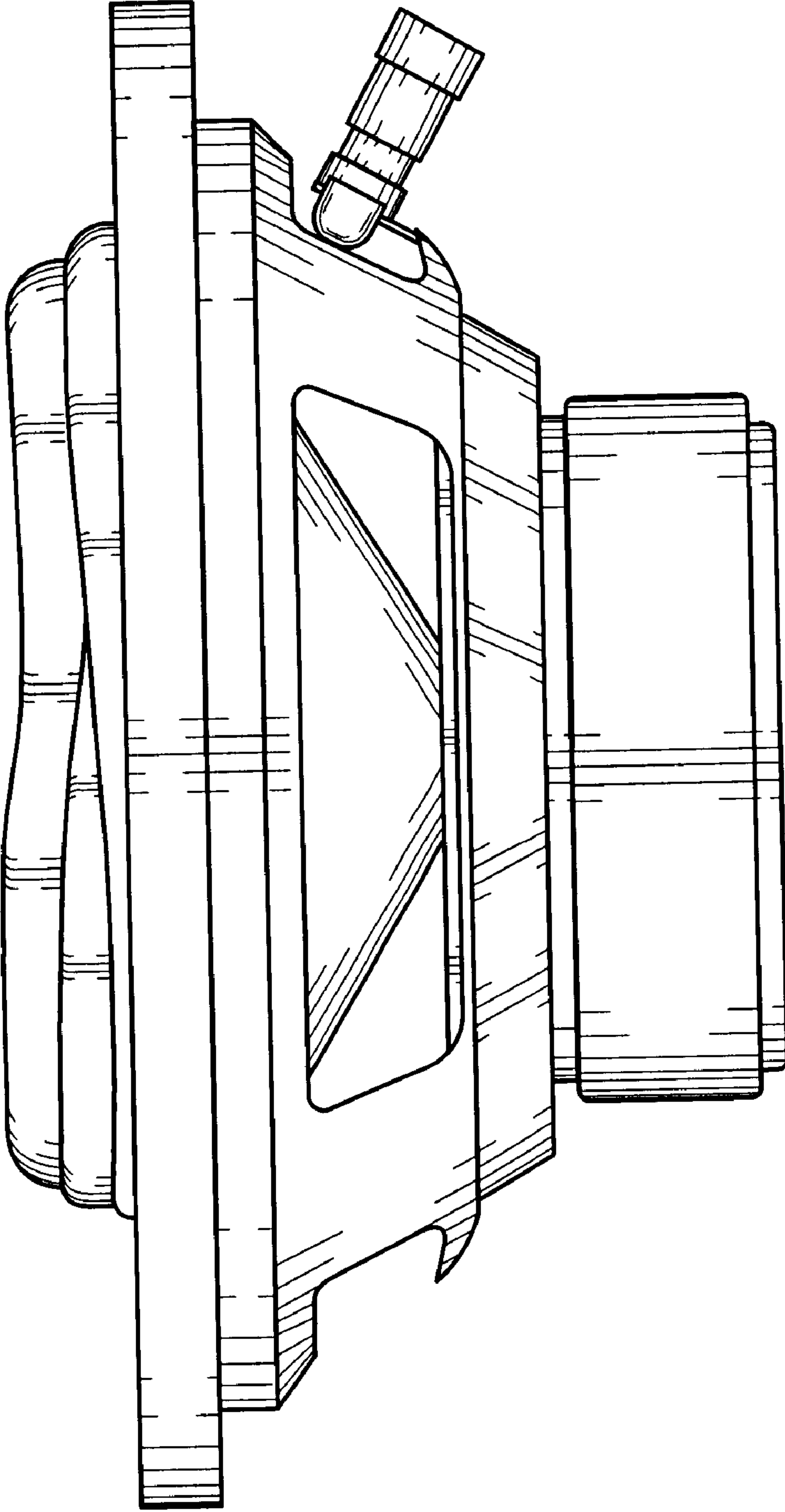


FIG.2

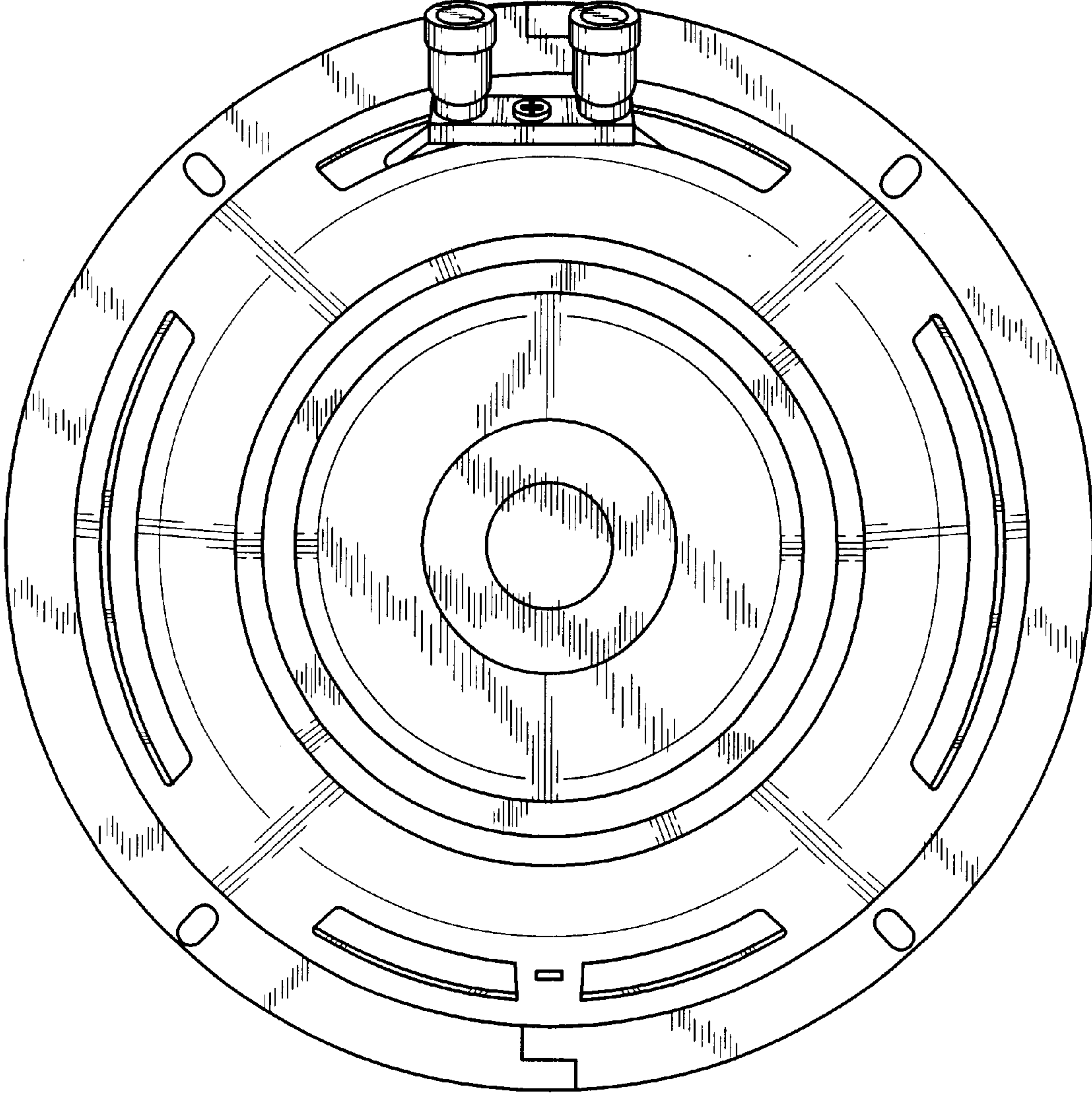


FIG.3

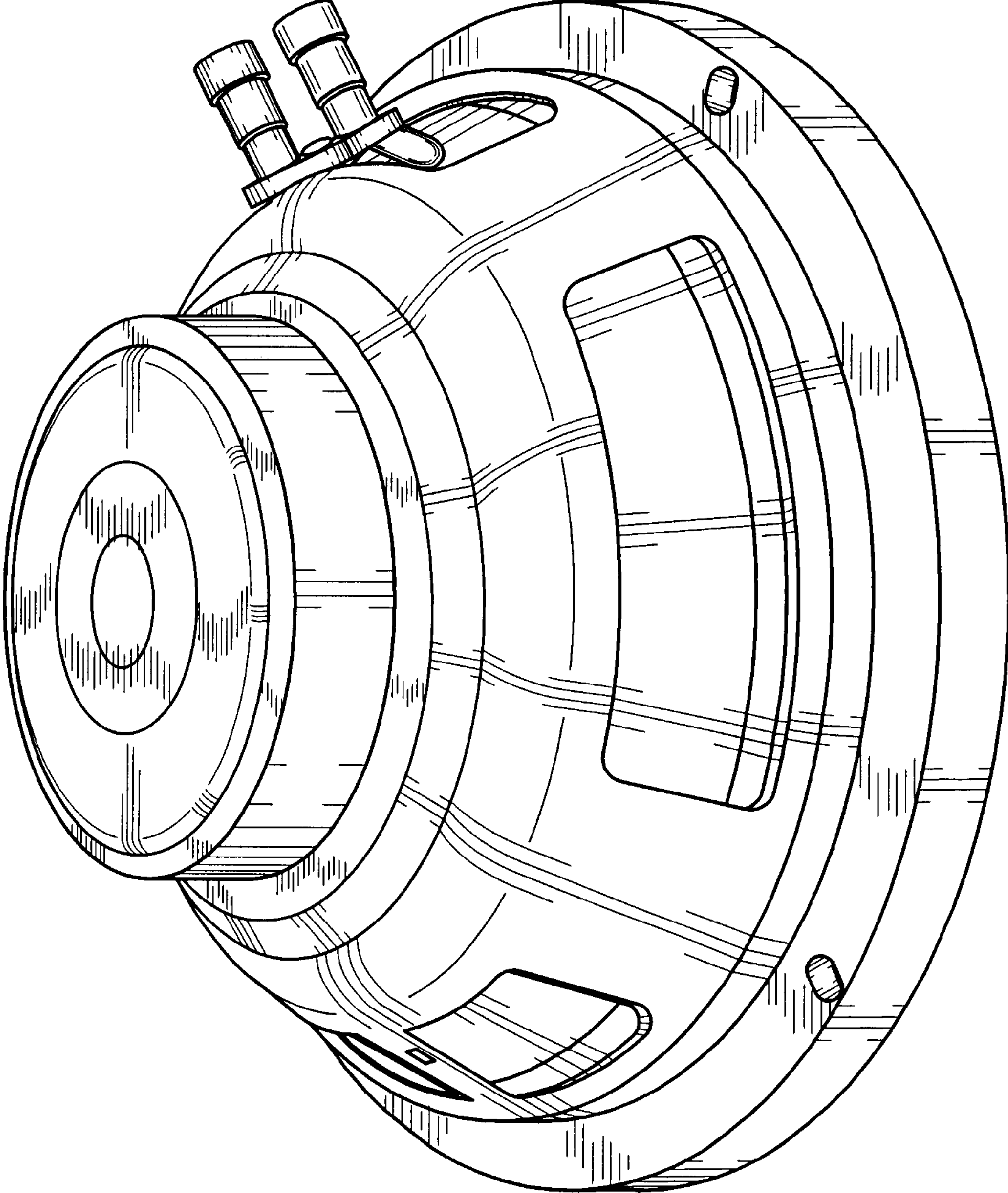


FIG.4

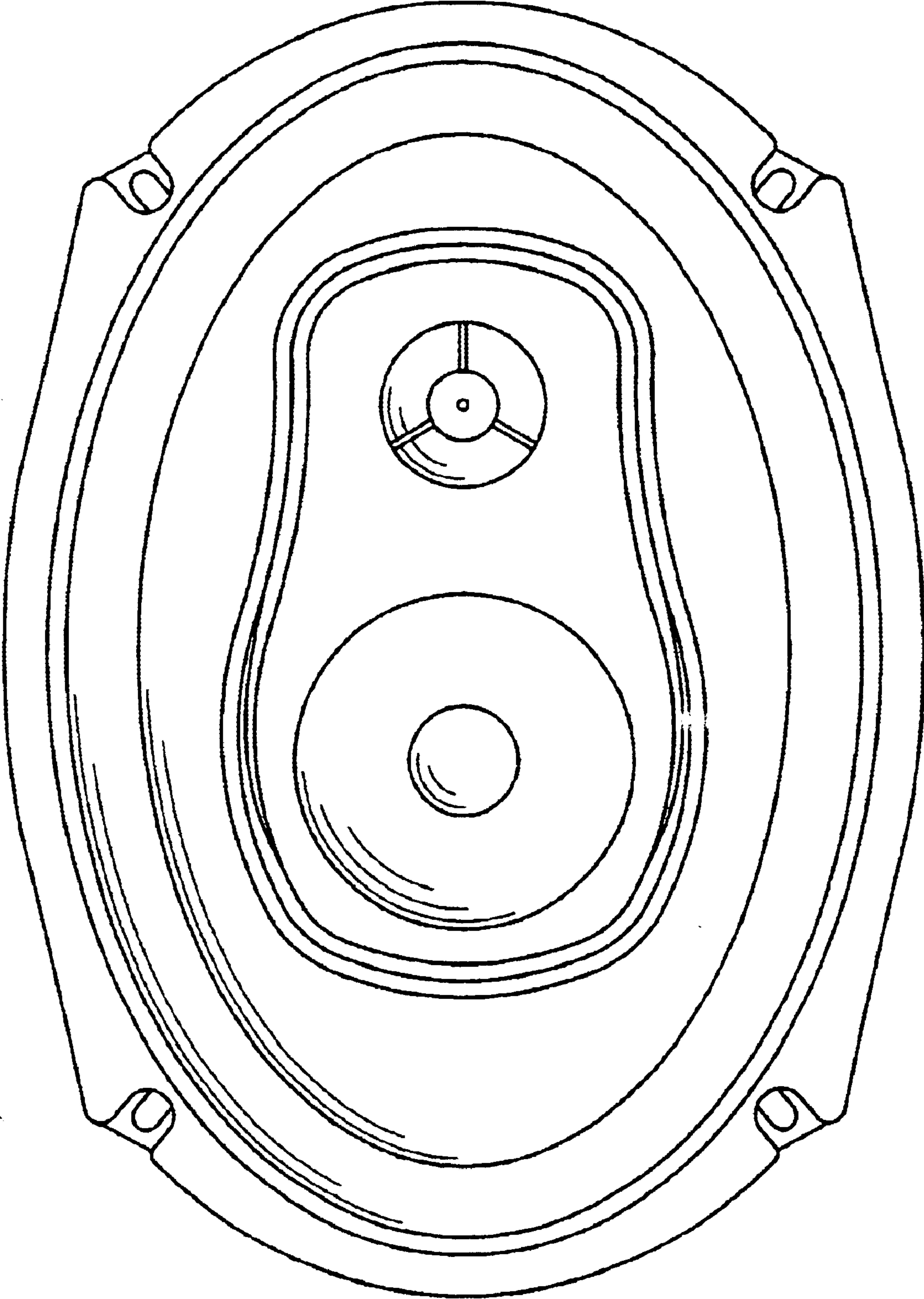


FIG. 5

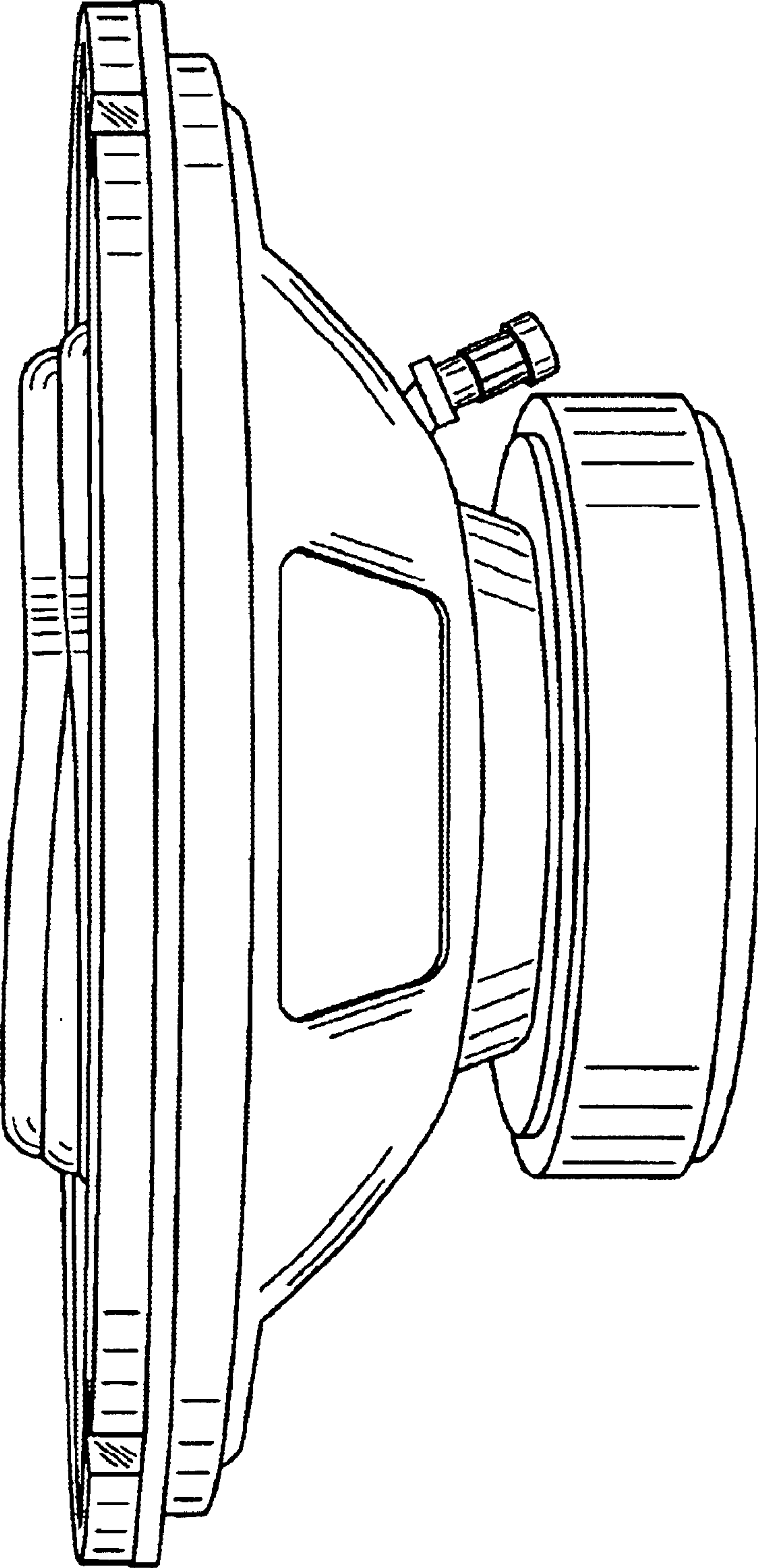


FIG. 6

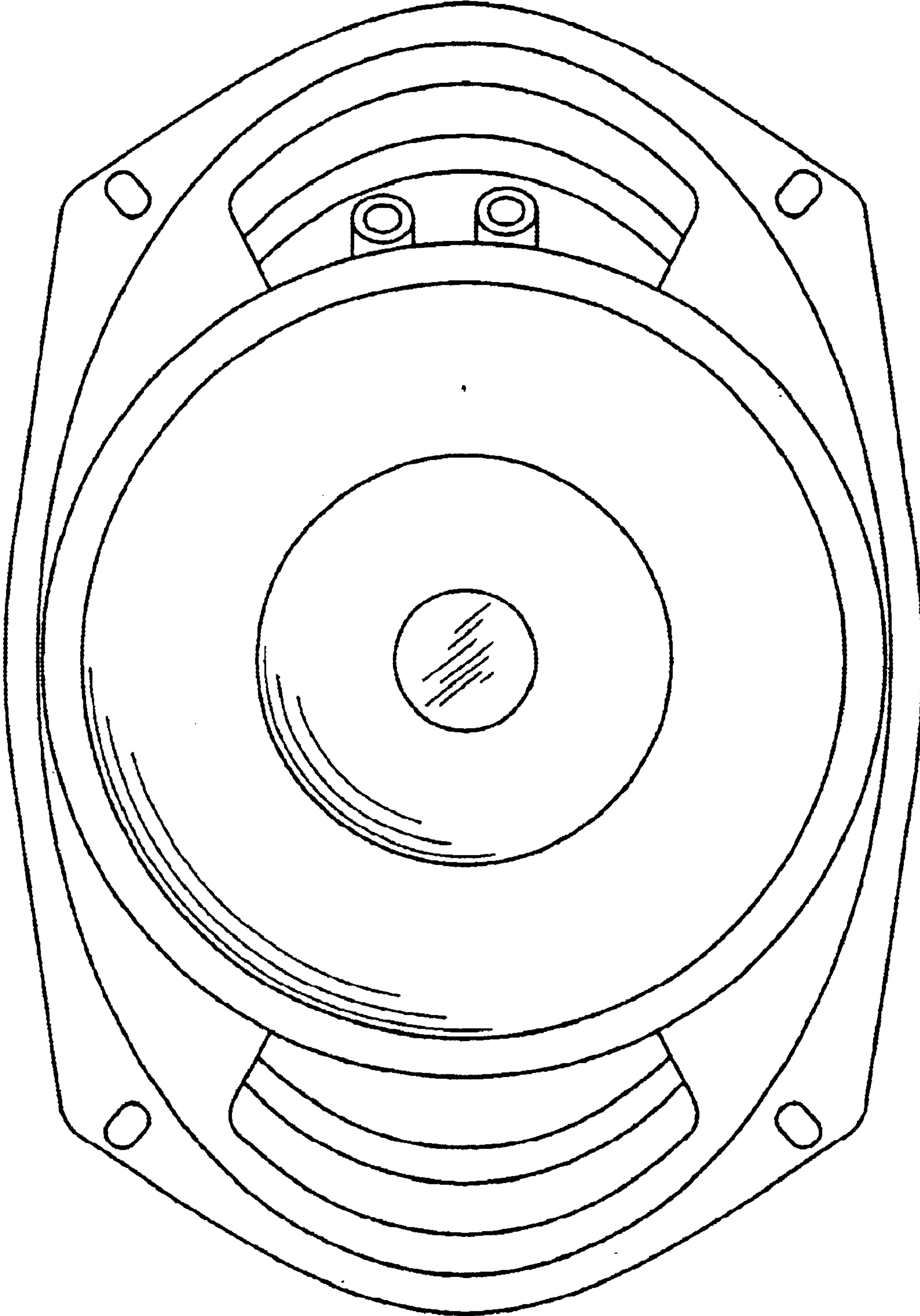


FIG. 7

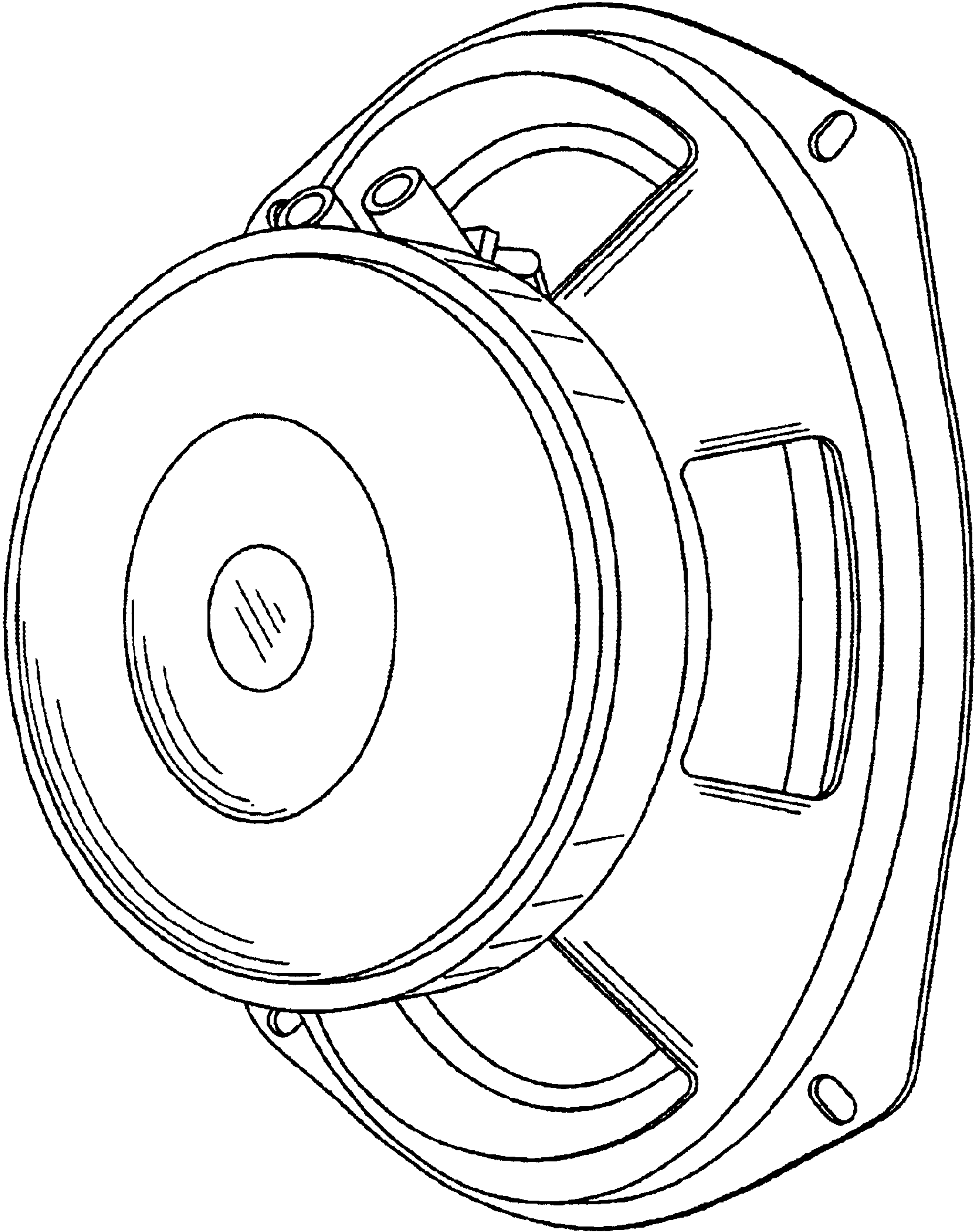


FIG. 8