



US00D502934S

(12) **United States Design Patent** (10) **Patent No.:** **US D502,934 S**  
**Rose** (45) **Date of Patent:** **\*\* Mar. 15, 2005**

(54) **COMBINED DISC PLAYER AND RADIO RECEIVER**

(75) Inventor: **Phillip Rose**, Surrey (GB)

(73) Assignee: **Sony Corporation**, Tokyo (JP)

(\*\*) Term: **14 Years**

(21) Appl. No.: **29/183,932**

(22) Filed: **Jun. 20, 2003**

(51) **LOC (7) Cl.** ..... **14-01**

(52) **U.S. Cl.** ..... **D14/168**

(58) **Field of Search** ..... D14/135-136,  
D14/156-157, 160-165, 167-168, 188,  
193-198; 369/75.1, 75.2, 77.1, 77.2; 455/344,  
347-351

(56) **References Cited**

**U.S. PATENT DOCUMENTS**

D442,160 S	*	5/2001	Tsuchiya	.....	D14/168
D442,574 S	*	5/2001	Ishii	.....	D14/168
D471,174 S	*	3/2003	Tsuge	.....	D14/168

**OTHER PUBLICATIONS**

Web page "CFD-E10TV(S)" <http://www8.yodobashi.com/enjoy/i.jsp?oid=1592954>, 1 sheet, Yodobashi Camera (Feb. 2003).

Web page "CFS-E2TV" <http://www8.yodobashi.com/enjoy/i.jsp?oid=16441>, 1 sheet, Yodobashi Camera (Feb. 2003).

Web page "AJ-17BE" <http://www8.yodobashi.com/enjoy/i.jsp?oid=3218482>, 1 sheet, Yodobashi Camera (Feb. 2003).

Web page "RX-MDX60-S" <http://www8.yodobashi.com/enjoy/i.jsp?oid=3443431>, 1 sheet, Yodobashi Camera (Feb. 2003).

\* cited by examiner

*Primary Examiner*—Nanda Bondade

(74) *Attorney, Agent, or Firm*—Rader, Fishman & Grauer PLLC

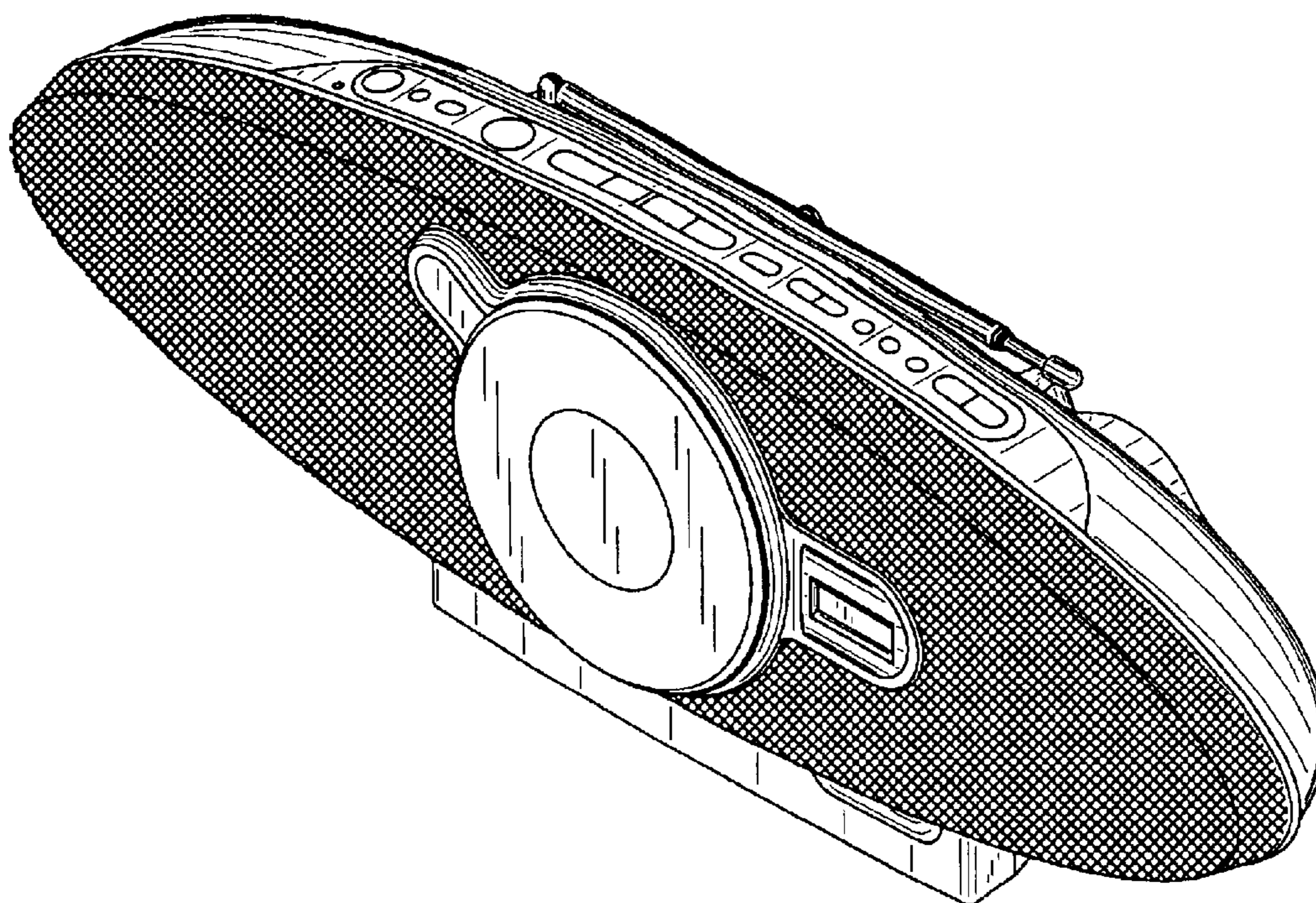
(57) **CLAIM**

The ornamental design for a combined disc player and radio receiver, as shown.

**DESCRIPTION**

FIG. 1 is a perspective view of a combined disc player and radio receiver showing my new design; FIG. 2 is a front elevational view thereof; FIG. 3 is a rear elevational view thereof; FIG. 4 is a left side elevational view thereof; FIG. 5 is a right side elevational view thereof; FIG. 6 is a top plan view thereof; and, FIG. 7 is a bottom plan view thereof.

**1 Claim, 4 Drawing Sheets**



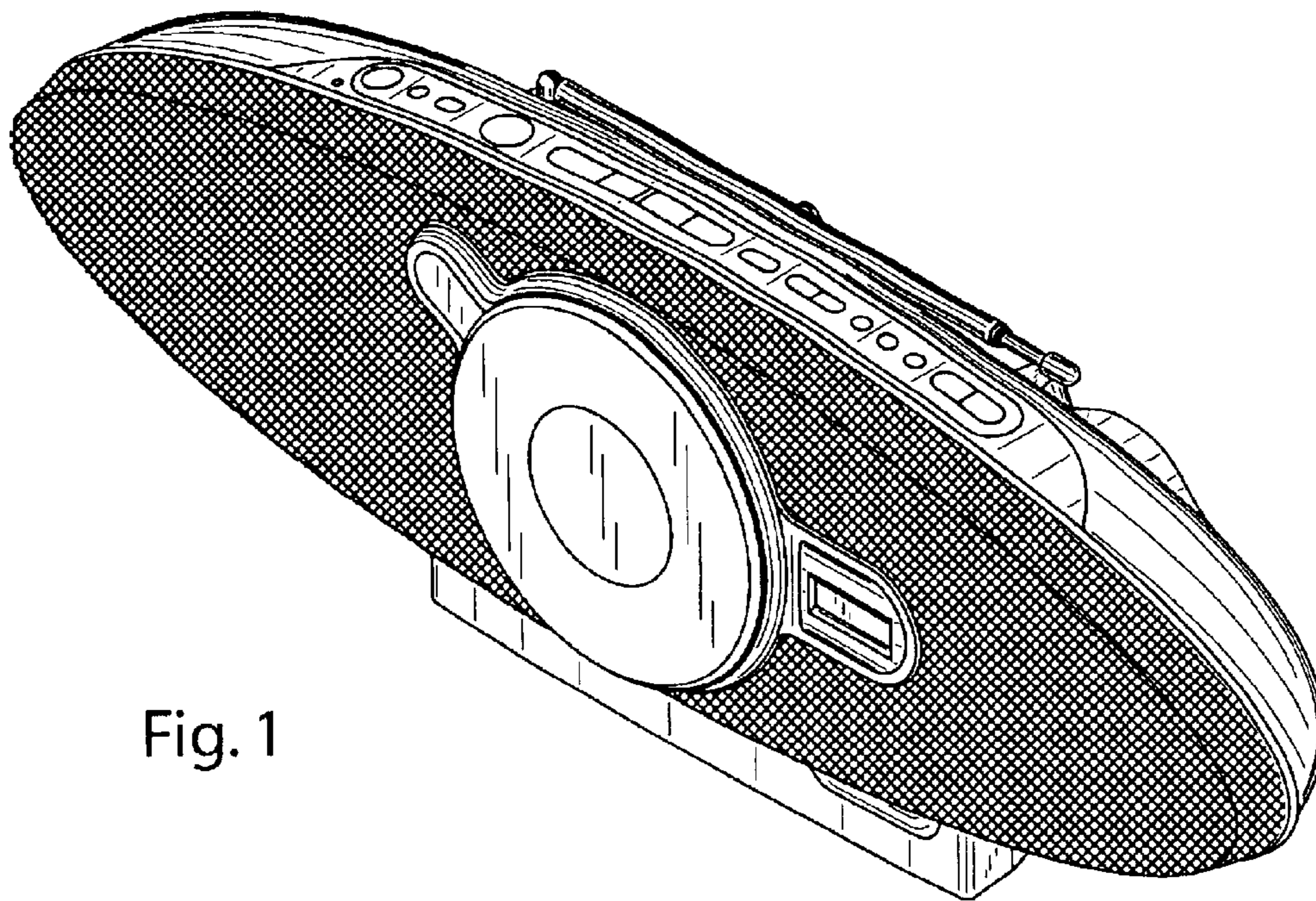


Fig. 1

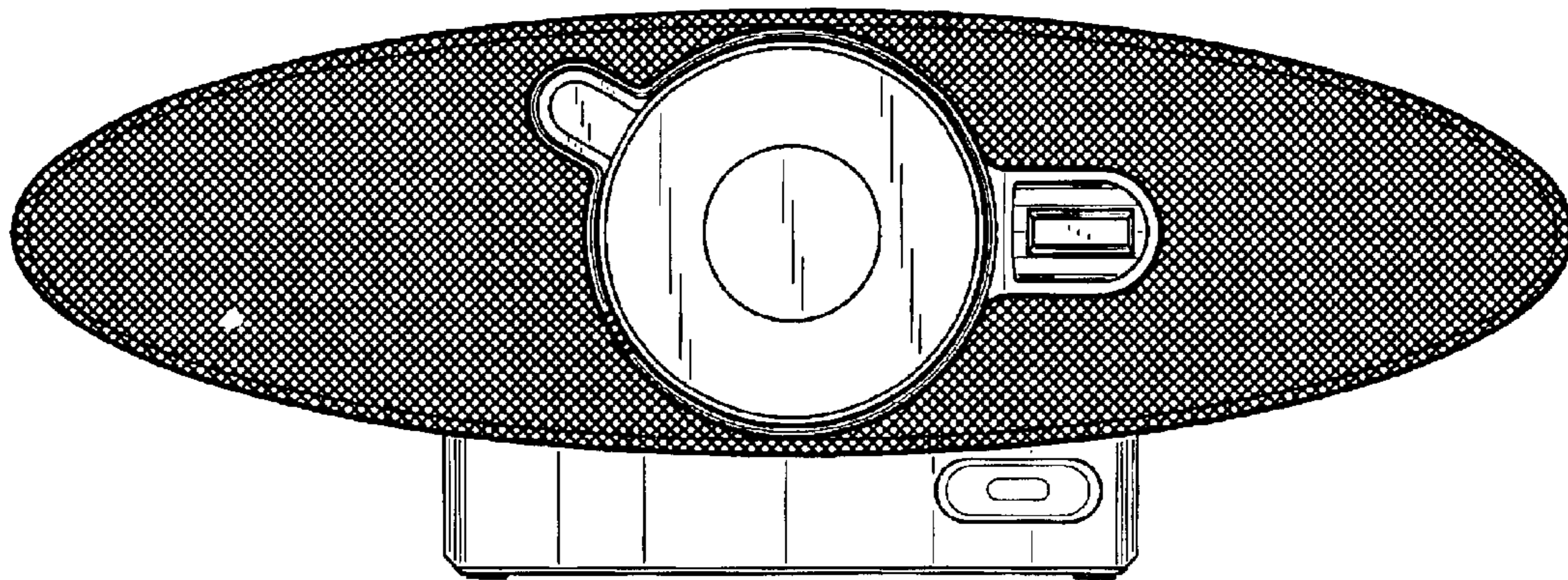


Fig. 2

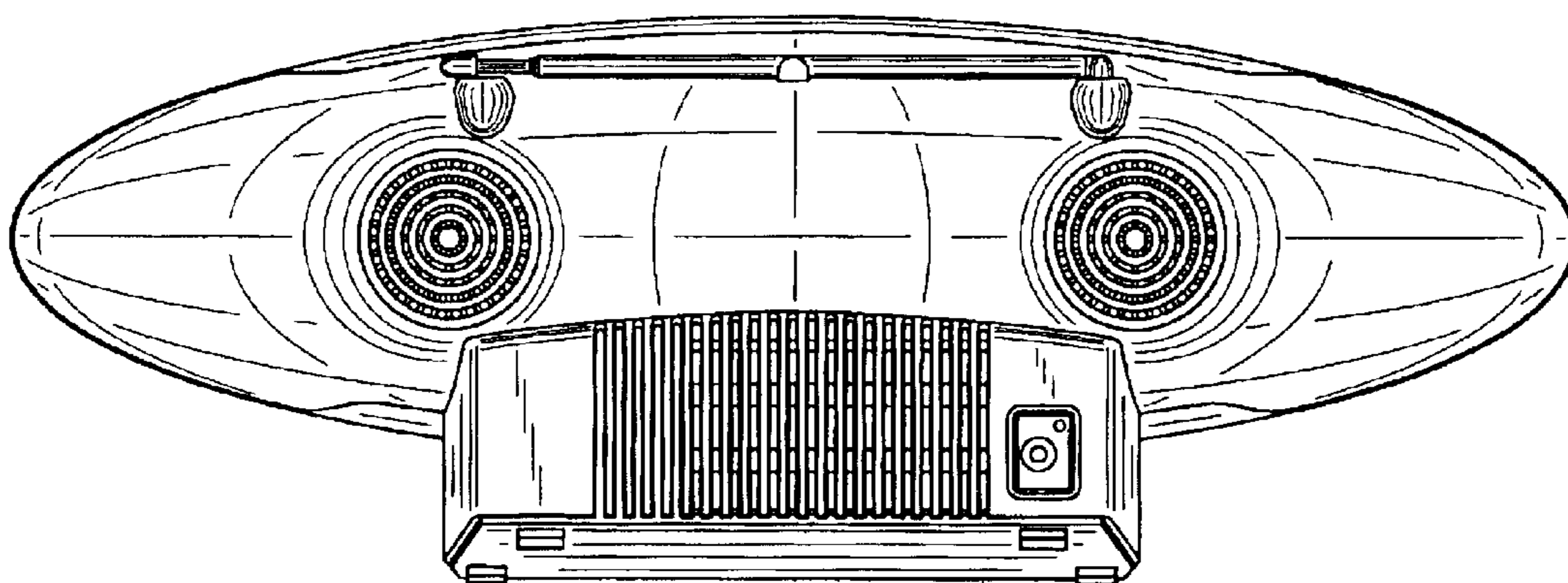


Fig. 3

Fig. 4

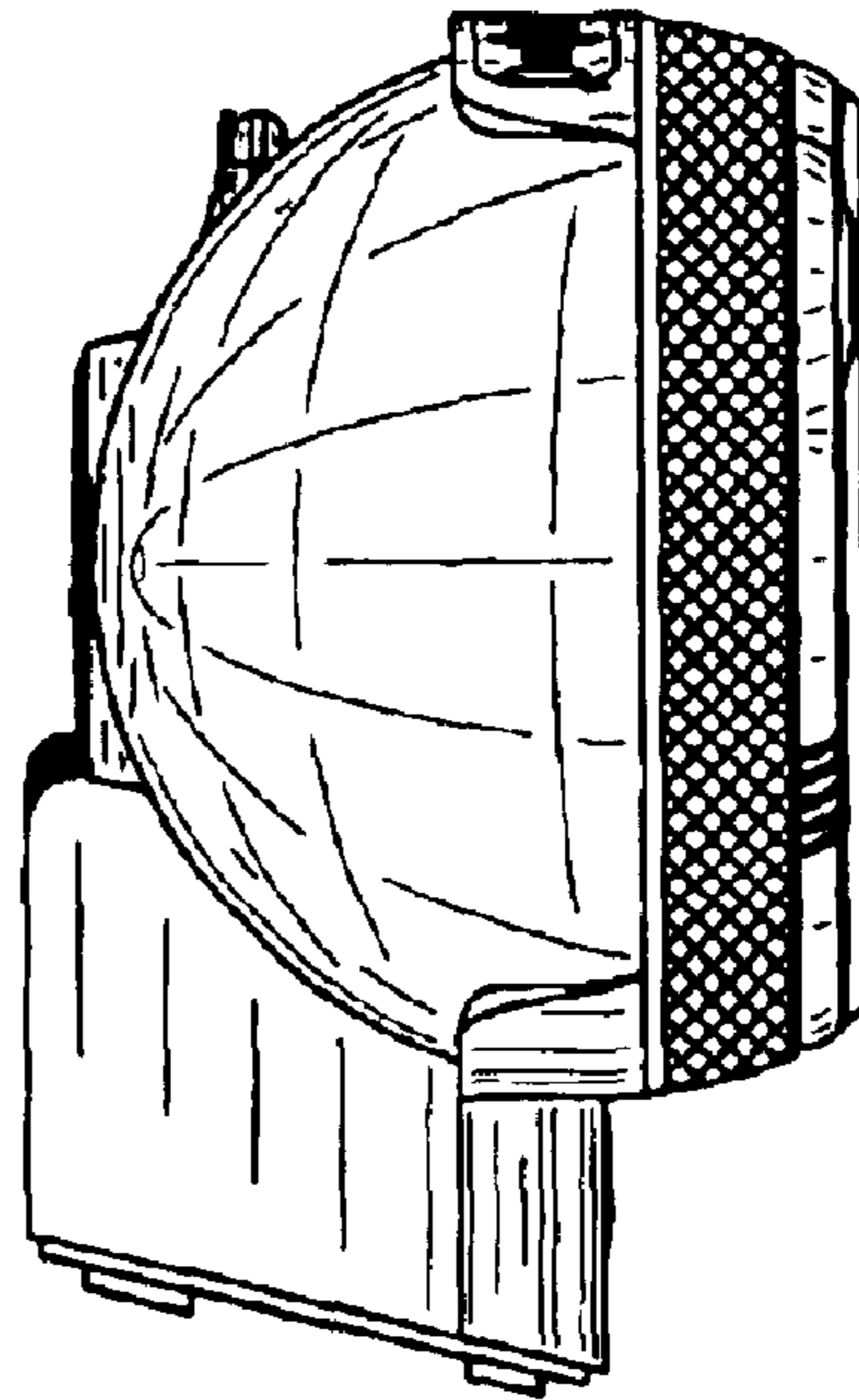
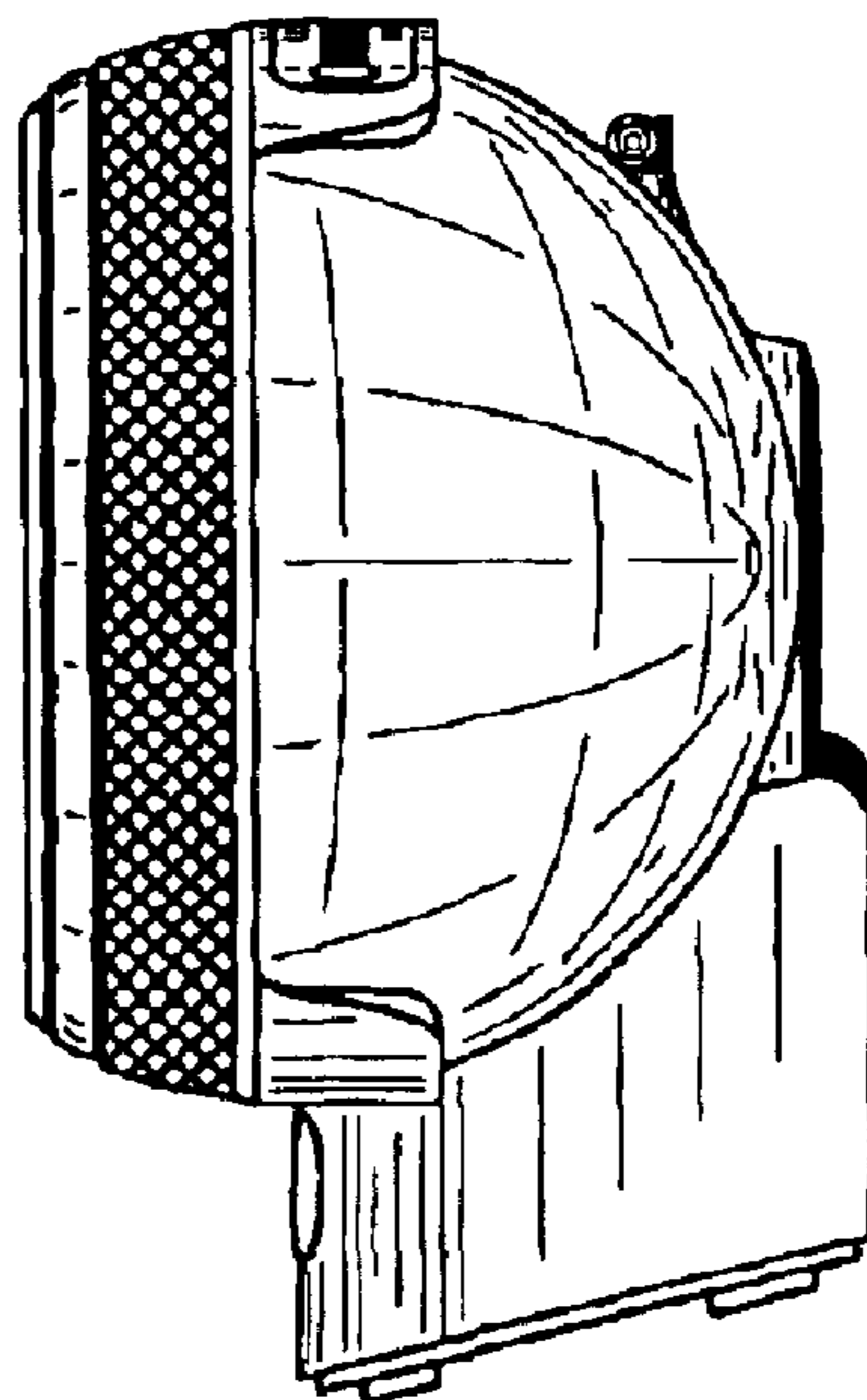


Fig. 5



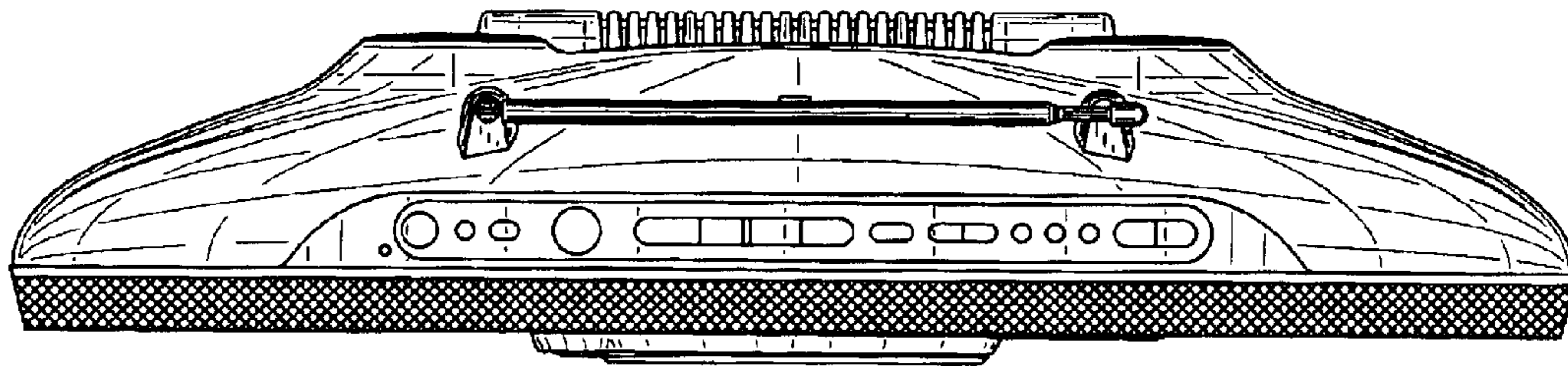


Fig. 6

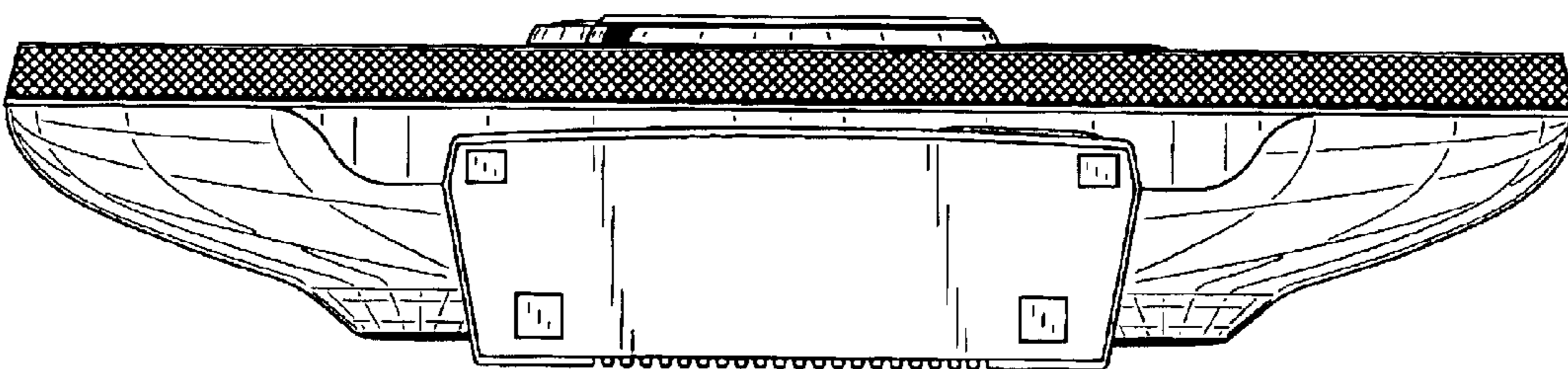


Fig. 7