

US00D502932S

(12) **United States Design Patent**  
**Minamide**

(10) **Patent No.:** **US D502,932 S**  
(45) **Date of Patent:** **\*\* Mar. 15, 2005**

(54) **PORTABLE TELEPHONE**  
(75) Inventor: **Keiichi Minamide, Machida (JP)**  
(73) Assignee: **Kyocera Corporation (JP)**  
(\*\*) Term: **14 Years**

(21) Appl. No.: **29/198,539**  
(22) Filed: **Jan. 30, 2004**  
(30) **Foreign Application Priority Data**

Jul. 31, 2003 (JP) ..... 2003-022313

(51) **LOC (7) Cl.** ..... **14-03**  
(52) **U.S. Cl.** ..... **D14/138**  
(58) **Field of Search** ..... D14/137, 138,  
D14/218, 147-148, 247-248, 144, 341-347;  
379/433.01-433.13, 419, 434, 428.01-428.04,  
420.01-420.04, 440; 455/550.1-90.3; D21/517;  
D13/168; 345/168, 169

(56) **References Cited**

**U.S. PATENT DOCUMENTS**

5,485,517 A \* 1/1996 Gray ..... 379/433.13  
D406,131 S \* 2/1999 Osthues ..... D14/138  
D425,887 S \* 5/2000 Edwards et al. .... D14/138  
6,308,084 B1 \* 10/2001 Lonka ..... 455/556.1  
D466,096 S \* 11/2002 Takada ..... D14/138  
6,549,789 B1 \* 4/2003 Kfoury ..... 455/550.1  
D479,215 S \* 9/2003 Yokoyama ..... D14/138

(List continued on next page.)

**FOREIGN PATENT DOCUMENTS**

JP 60-21636 \* 2/1985  
JP 875025 \* 8/1993  
JP 1143093 6/2002  
JP 1159728 \* 12/2002  
JP 1160810 12/2002  
JP 1183233 8/2003

**OTHER PUBLICATIONS**

NTT DoCoMo homepage showing SO505i telephone, dated Apr. 10, 2003, ©2003.\*

*Primary Examiner*—Jeffrey Asch

(74) *Attorney, Agent, or Firm*—Joel E. Lutzker; Anna Vishev; Schulte Roth & Zabel LLP

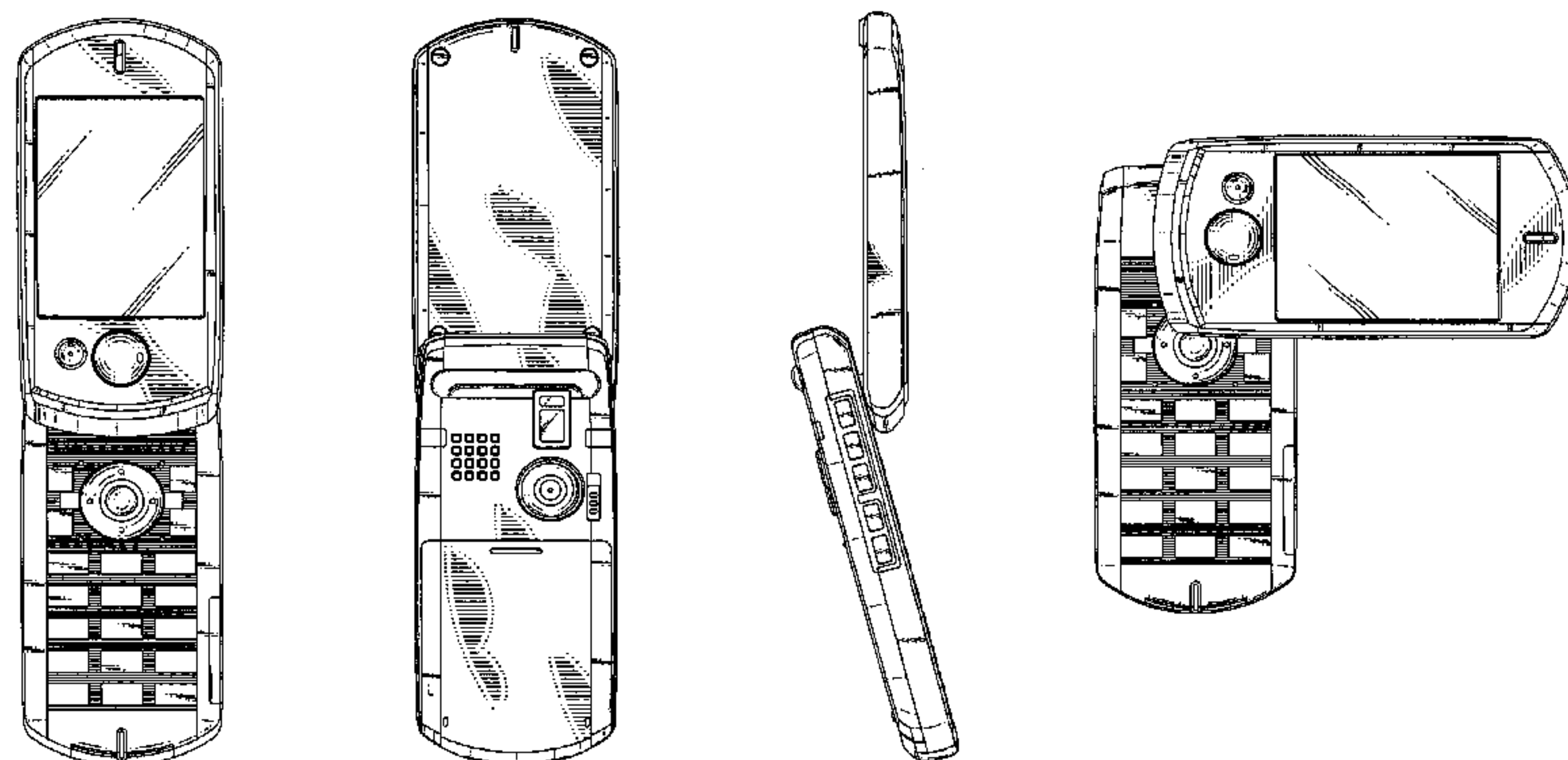
(57) **CLAIM**

The ornamental design for a portable telephone, as shown and described.

**DESCRIPTION**

FIG. 1 is a front view of a portable telephone showing my new design;  
FIG. 2 is a rear view thereof;  
FIG. 3 is a left side view thereof;  
FIG. 4 is a right side view thereof;  
FIG. 5 is a top plan view thereof;  
FIG. 6 is a bottom plan view thereof;  
FIG. 7 is a front view of operation portion thereof shown separate from the liquid crystal display portion thereof for convenience of illustration;  
FIG. 8 is a rear view of side with liquid crystal display portion thereof shown separate from the operation portion thereof for convenience of illustration;  
FIG. 9 is a front view with the display rotated thereof;  
FIG. 10 is a rear view with the display rotated thereof;  
FIG. 11 is a left side view with the display rotated thereof;  
FIG. 12 is a right side view with the display rotated thereof;  
FIG. 13 is a top plan view with the display rotated thereof;  
FIG. 14 is a bottom plan view with the display rotated thereof;  
FIG. 15 is a front view with the liquid crystal display rotated into the horizontal direction thereof;  
FIG. 16 is a perspective view with the display rotated thereof;  
FIG. 17 is a central longitudinal end view with the display rotated and internal structure omitted thereof;  
FIG. 18 is an enlarged view of portion A—A in FIG. 17;  
FIG. 19 is an enlarged view of portion B—B in FIG. 17; and,  
FIG. 20 is an enlarged view of portion C—C in FIG. 17.

**1 Claim, 20 Drawing Sheets**



# US D502,932 S

Page 2

---

## U.S. PATENT DOCUMENTS

|                 |   |         |               |       |         |                 |   |         |                  |       |            |
|-----------------|---|---------|---------------|-------|---------|-----------------|---|---------|------------------|-------|------------|
| D480,697 S      | * | 10/2003 | Lee et al.    | ..... | D14/138 | 2003/0064758 A1 | * | 4/2003  | Mizuta et al.    | ..... | 455/566    |
| D481,692 S      | * | 11/2003 | Husgafvel     | ..... | D14/138 | 2003/0153372 A1 | * | 8/2003  | Shimamura et al. | ..... | 455/575    |
| D492,275 S      | * | 6/2004  | Lin et al.    | ..... | D14/138 | 2003/0223576 A1 | * | 12/2003 | Totani           | ..... | 379/433.04 |
| D493,156 S      | * | 7/2004  | Hamann et al. | ..... | D14/138 | 2003/0228847 A1 | * | 12/2003 | Matsumoto        | ..... | 455/90.3   |
| D495,310 S      | * | 8/2004  | Husgafvel     | ..... | D14/138 | 2004/0110529 A1 | * | 6/2004  | Watanabe et al.  | ..... | 455/550.1  |
| 2002/0102946 A1 | * | 8/2002  | SanGiovanni   | ..... | 455/90  | 2004/0121825 A1 | * | 6/2004  | Ma et al.        | ..... | 455/575.4  |
| 2003/0060226 A1 | * | 3/2003  | Abood et al.  | ..... | 455/550 | 2004/0127262 A1 | * | 7/2004  | Ohno             | ..... | 455/566    |
| 2003/0064688 A1 | * | 4/2003  | Mizuta et al. | ..... | 455/90  | 2004/0132482 A1 | * | 7/2004  | Kang et al.      | ..... | 455/550.1  |

\* cited by examiner

FIG. 1

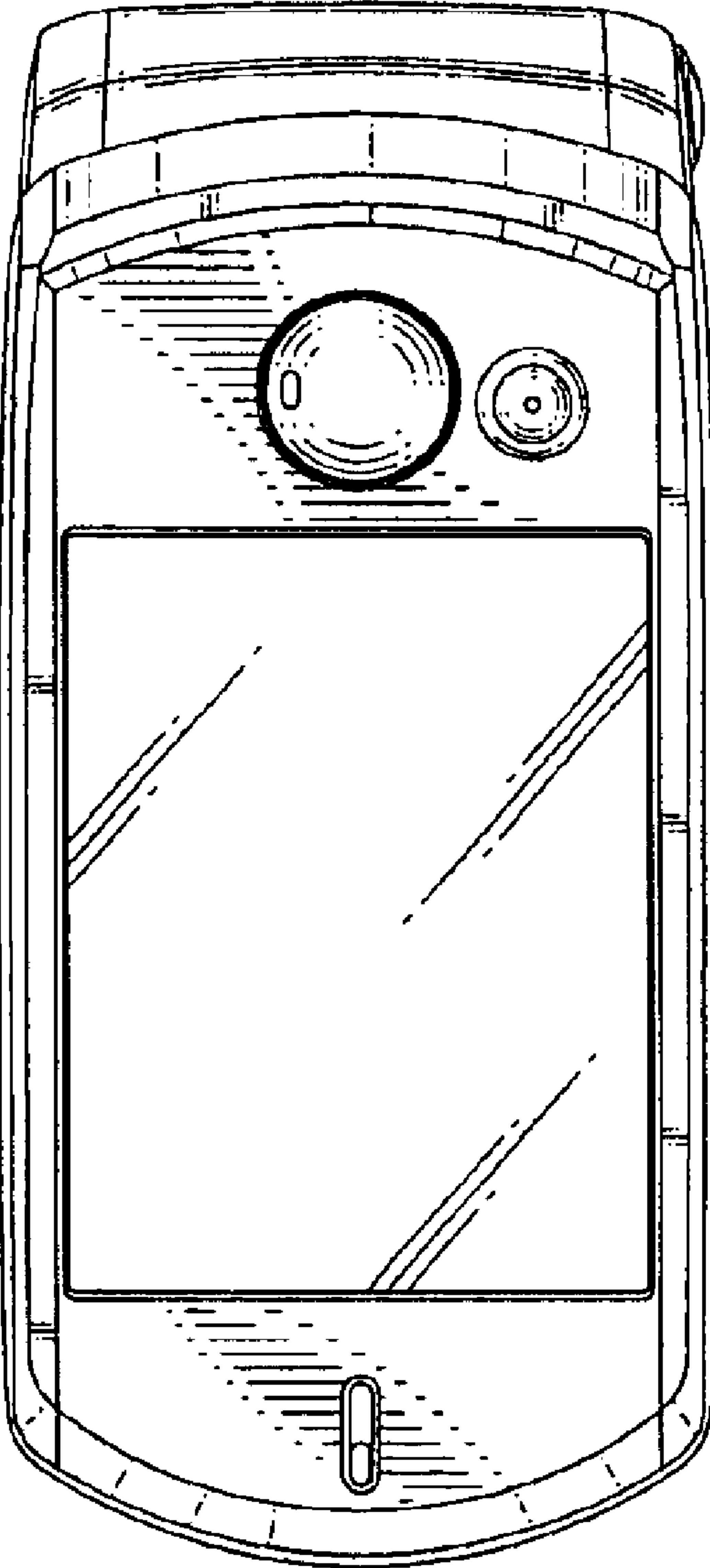


FIG. 2

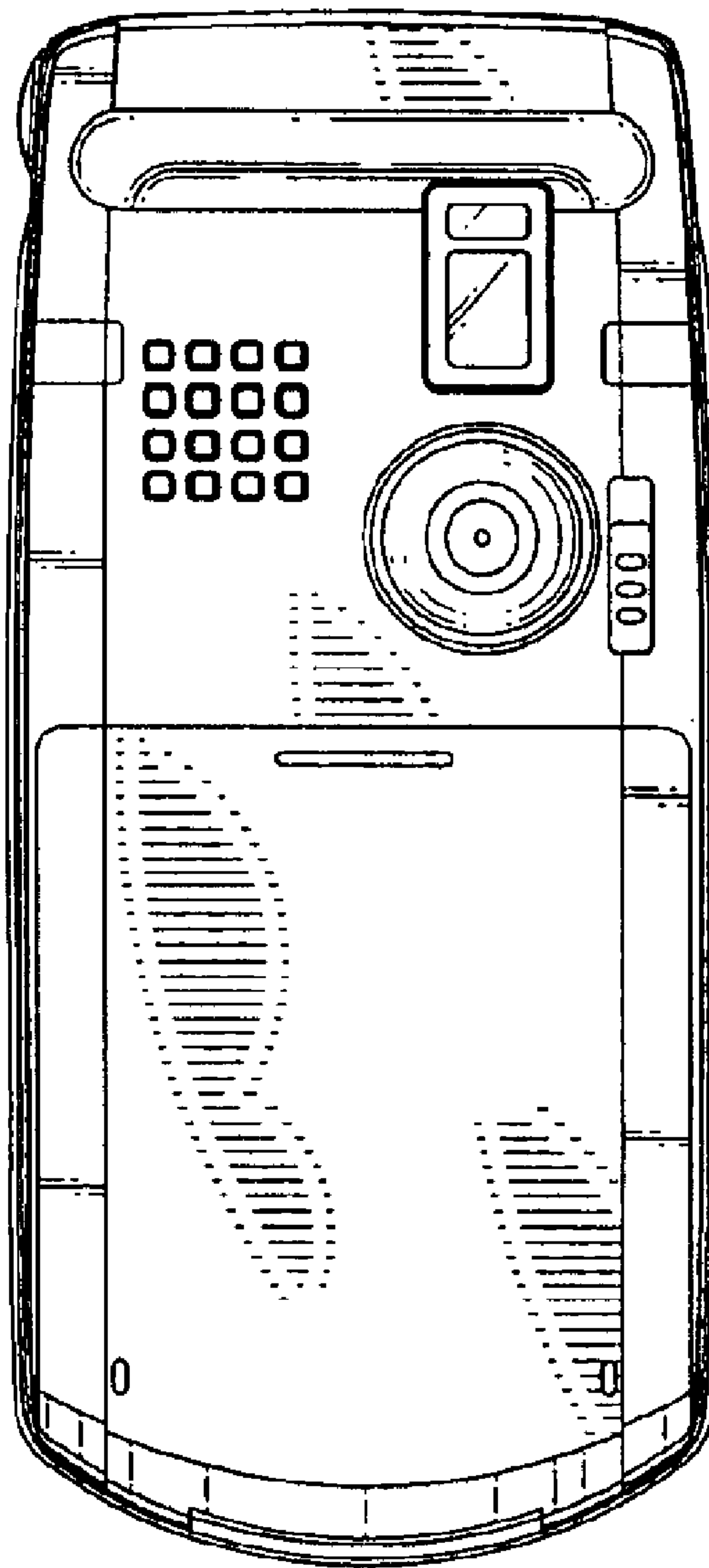


FIG. 3

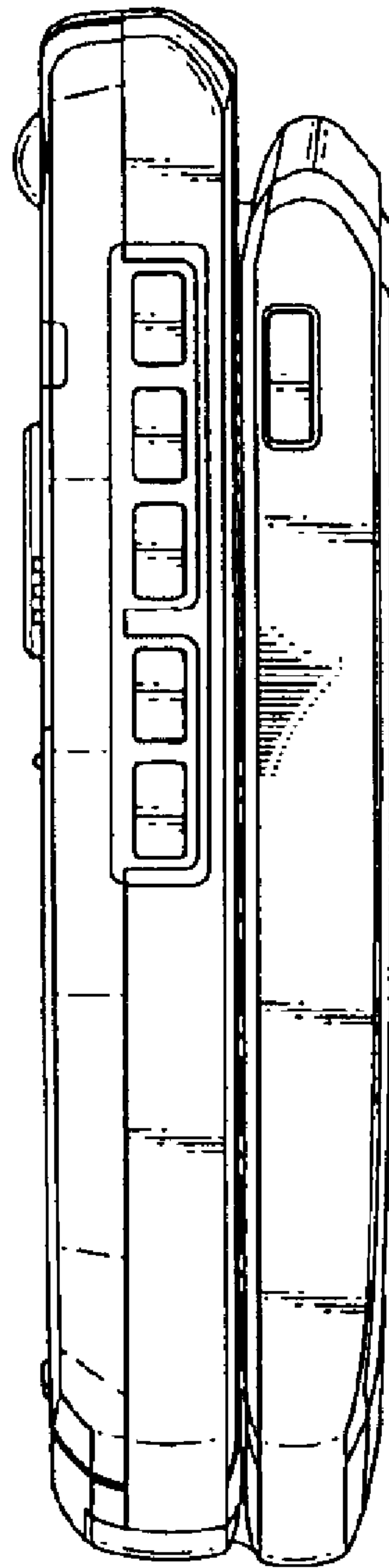
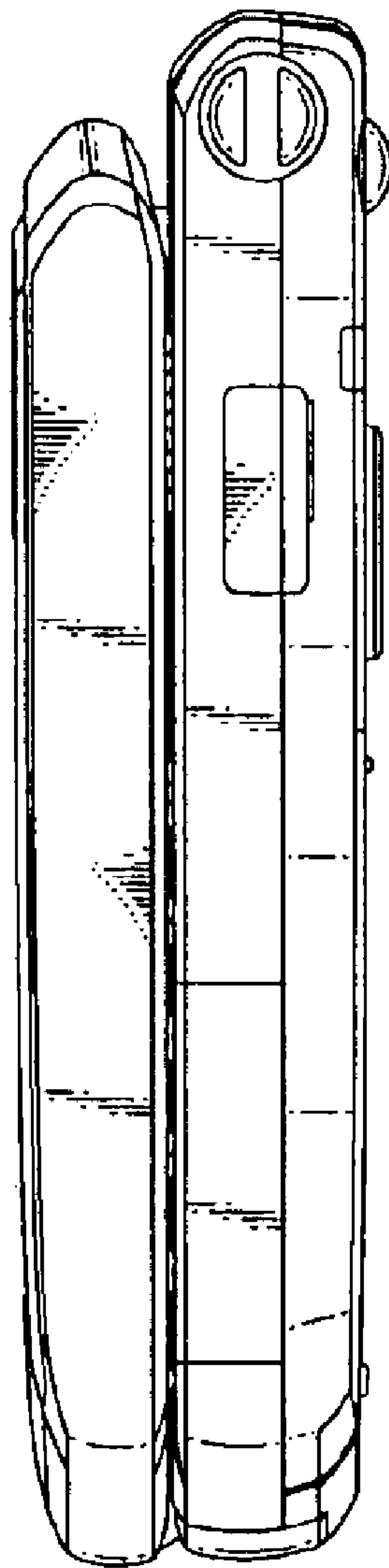
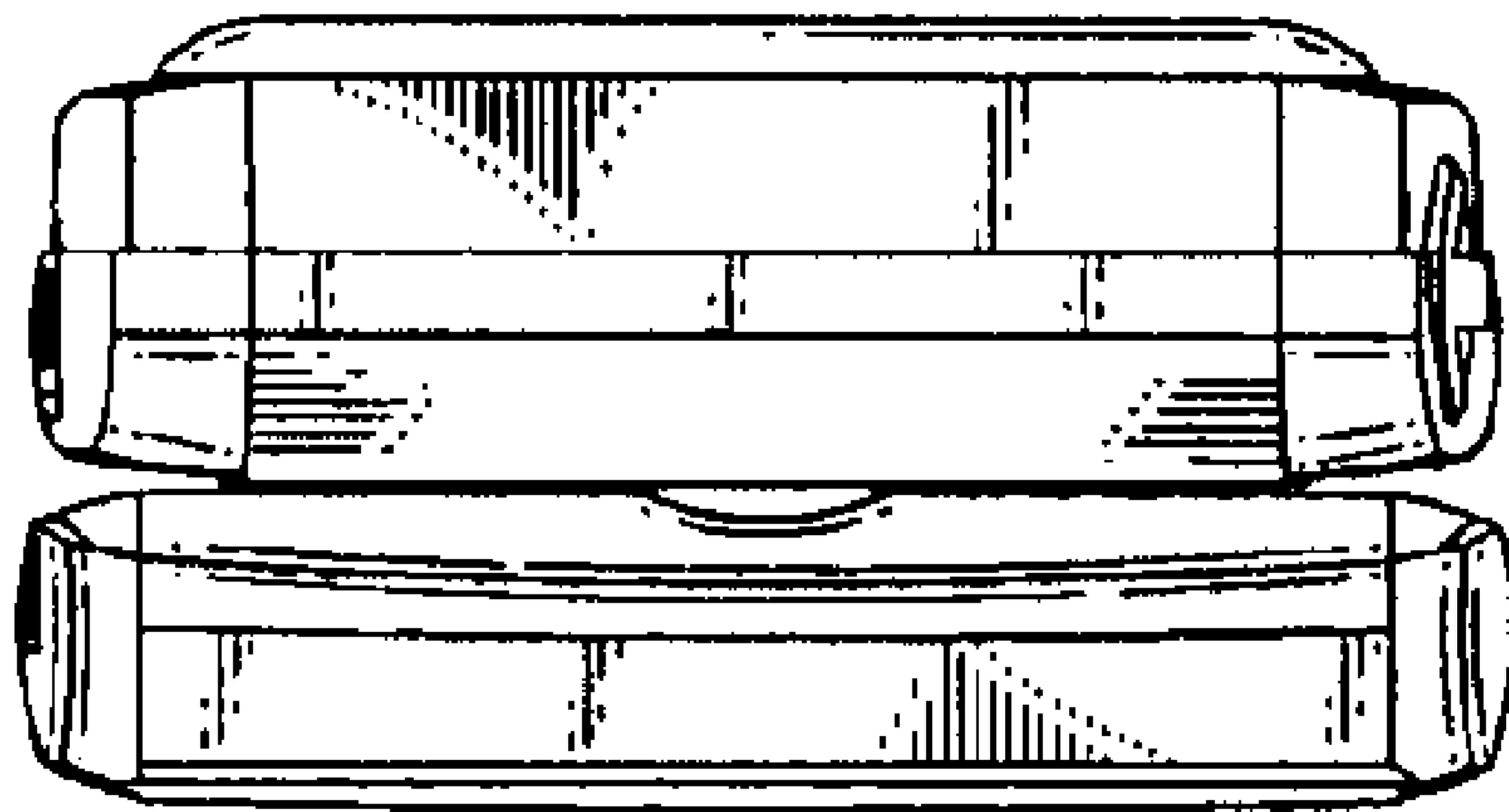


FIG. 4



# FIG. 5



# FIG. 6

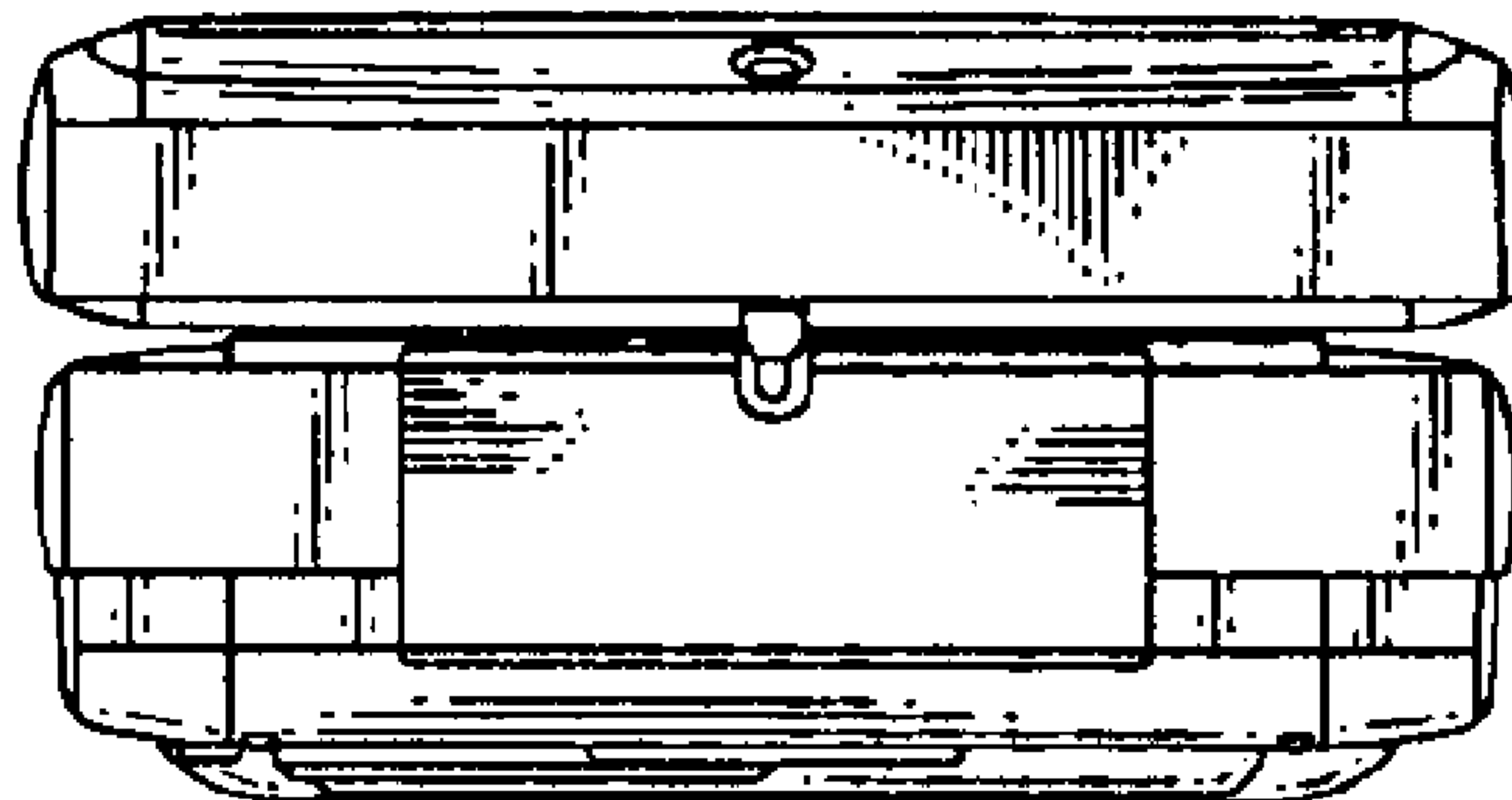




FIG. 7

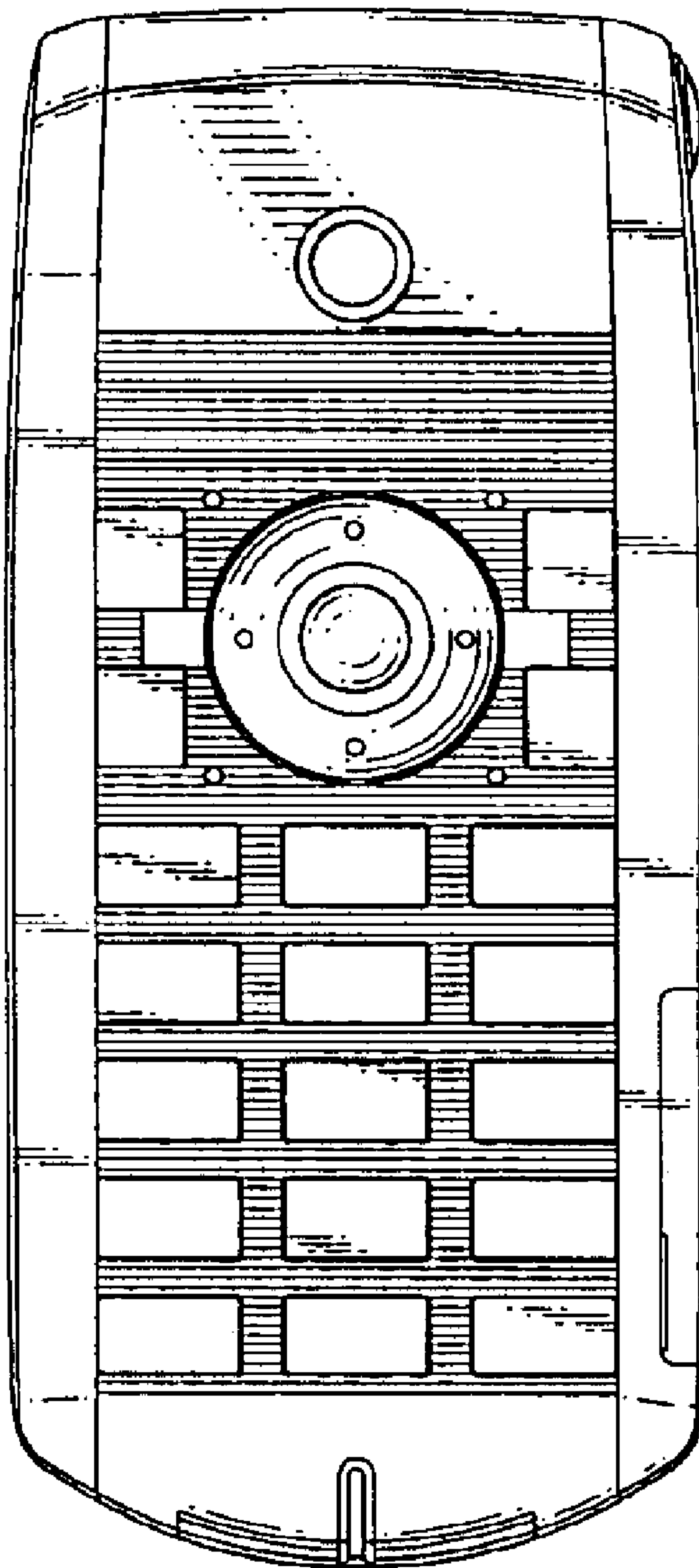


FIG. 8

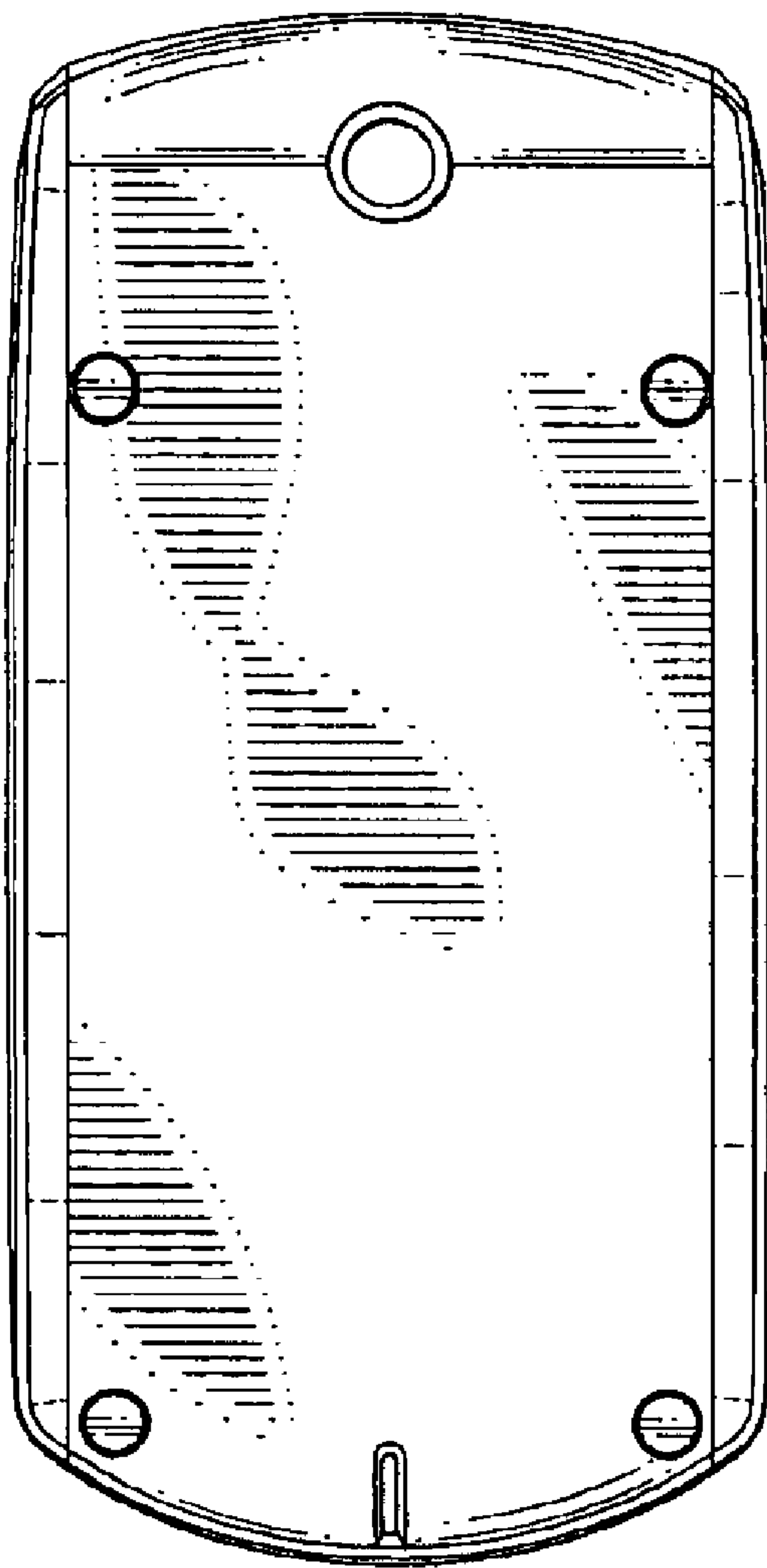


FIG. 9

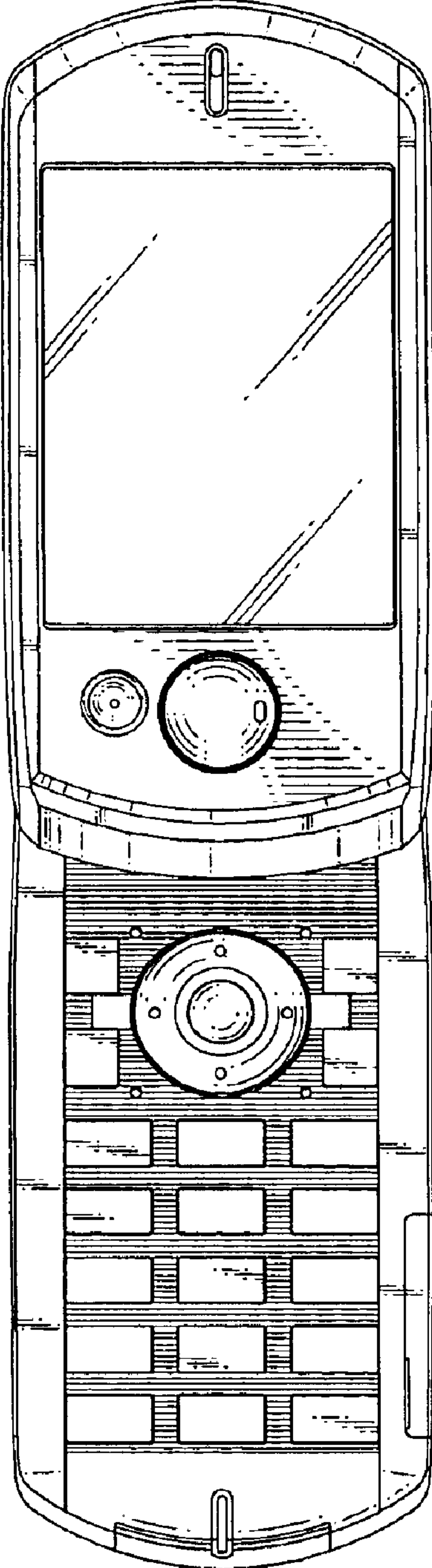


FIG. 10

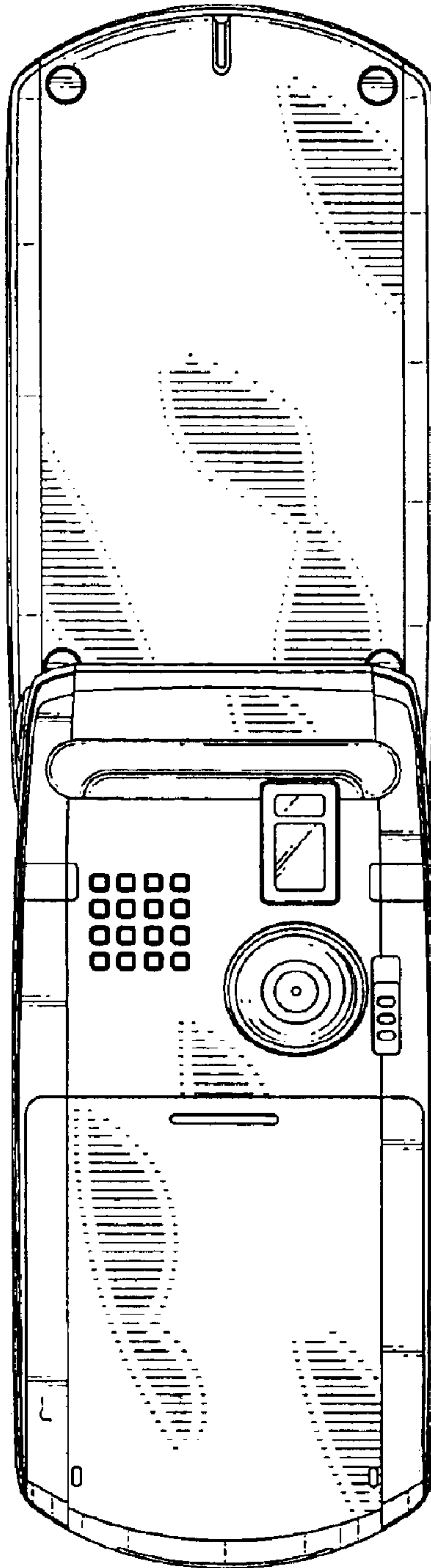


FIG. 11

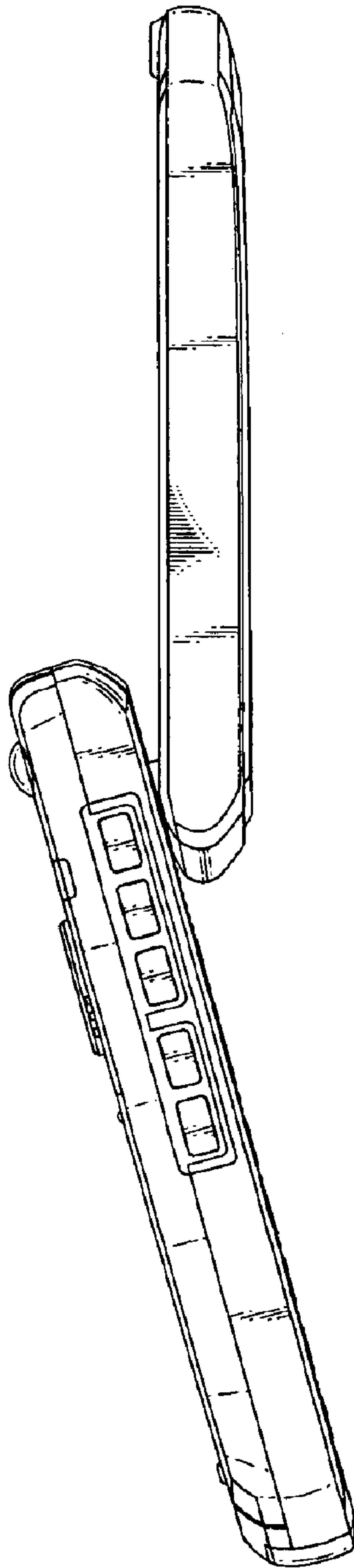
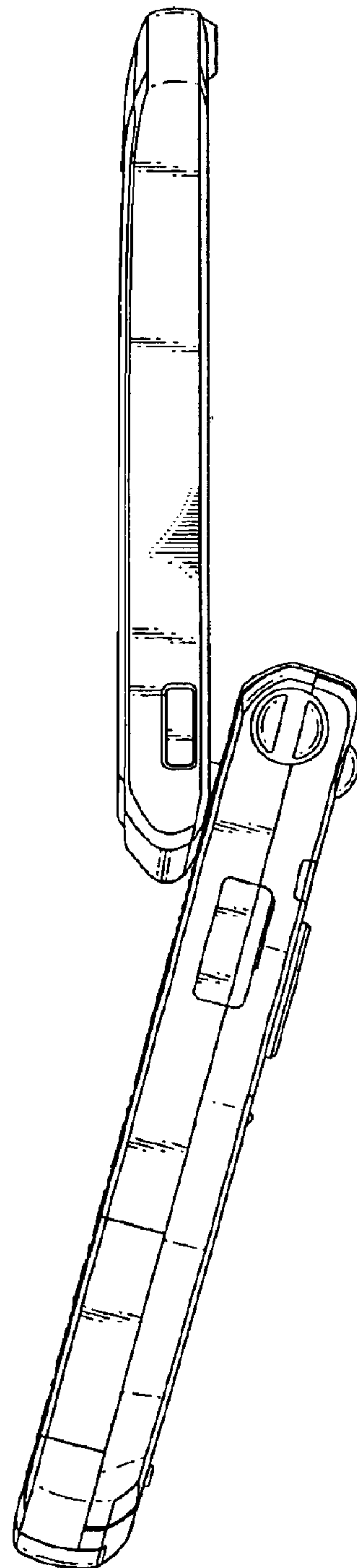
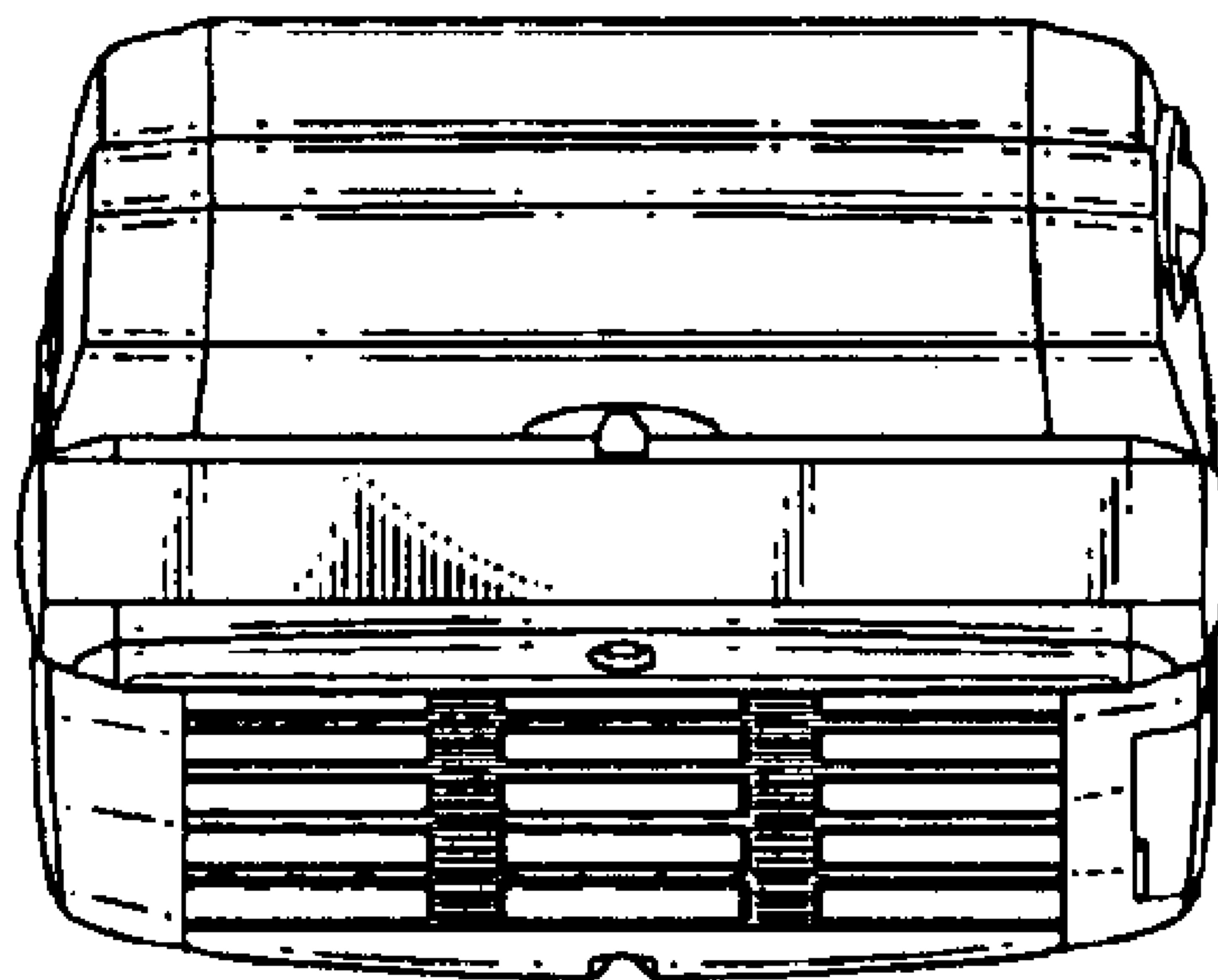


FIG. 12



# FIG. 13



# FIG. 14

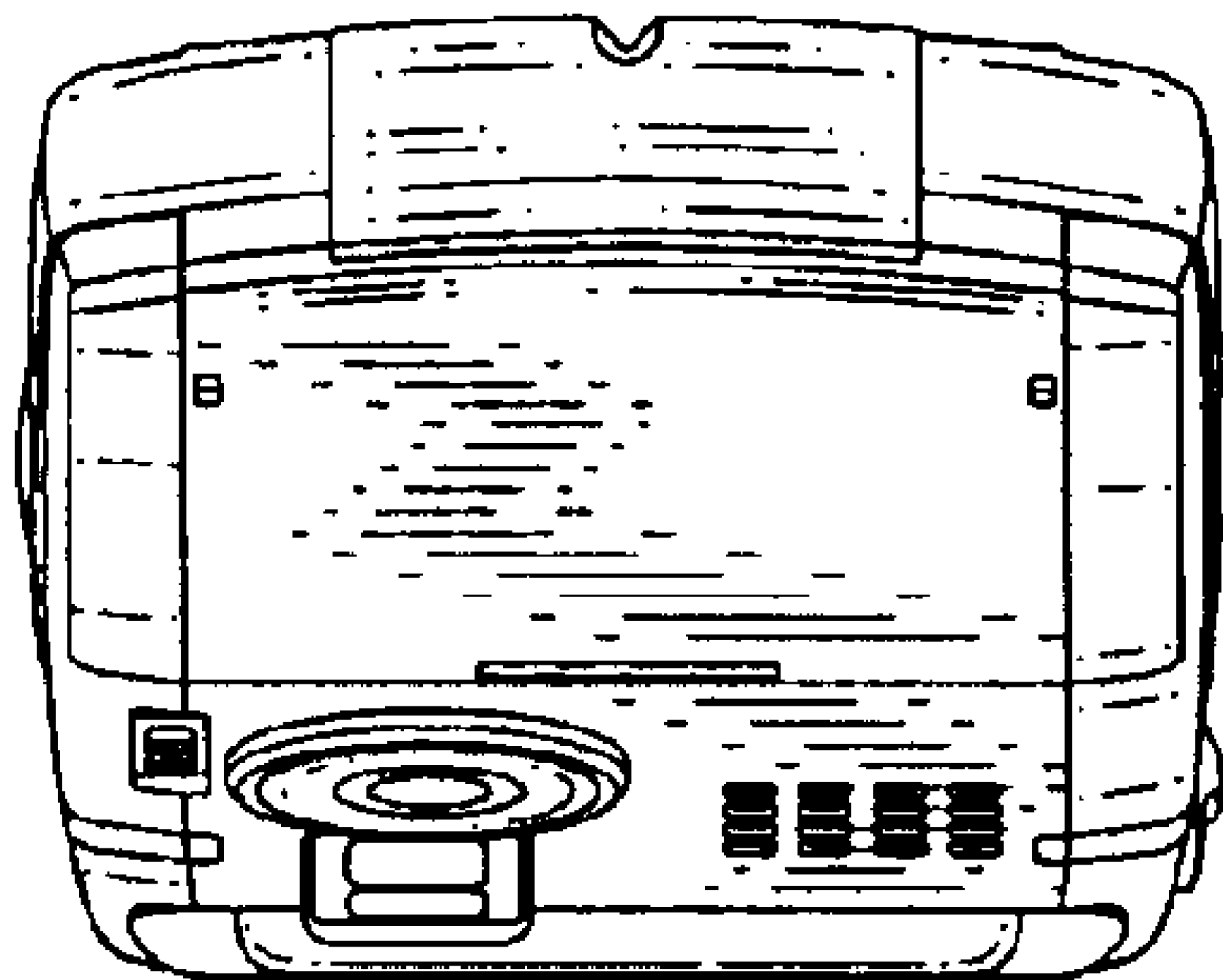




FIG. 15

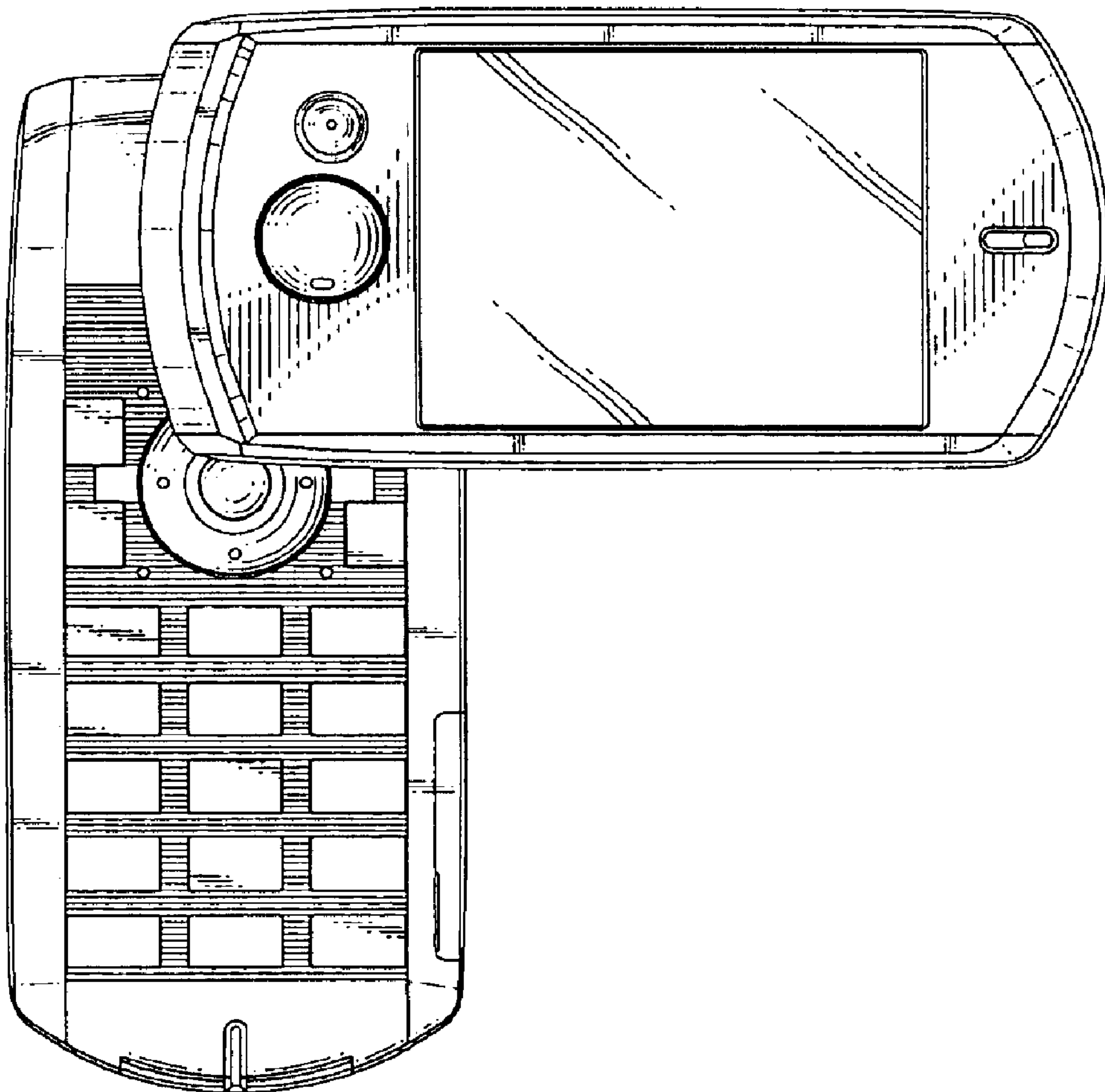


FIG. 16

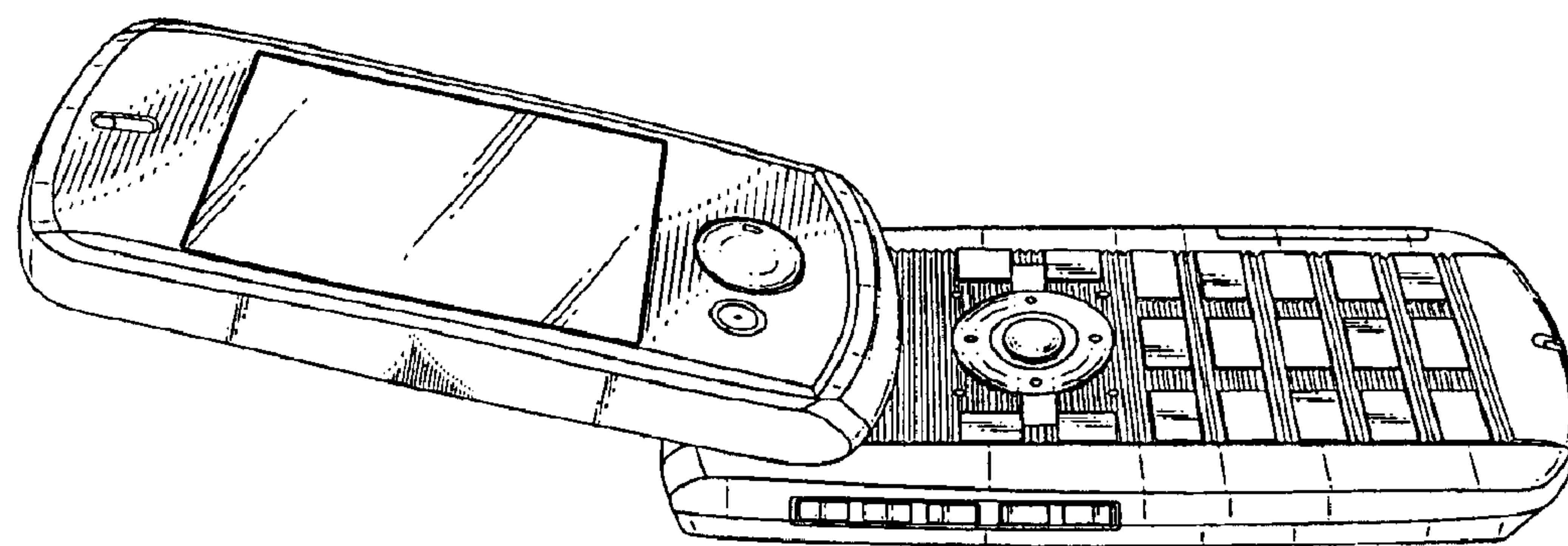


FIG. 17

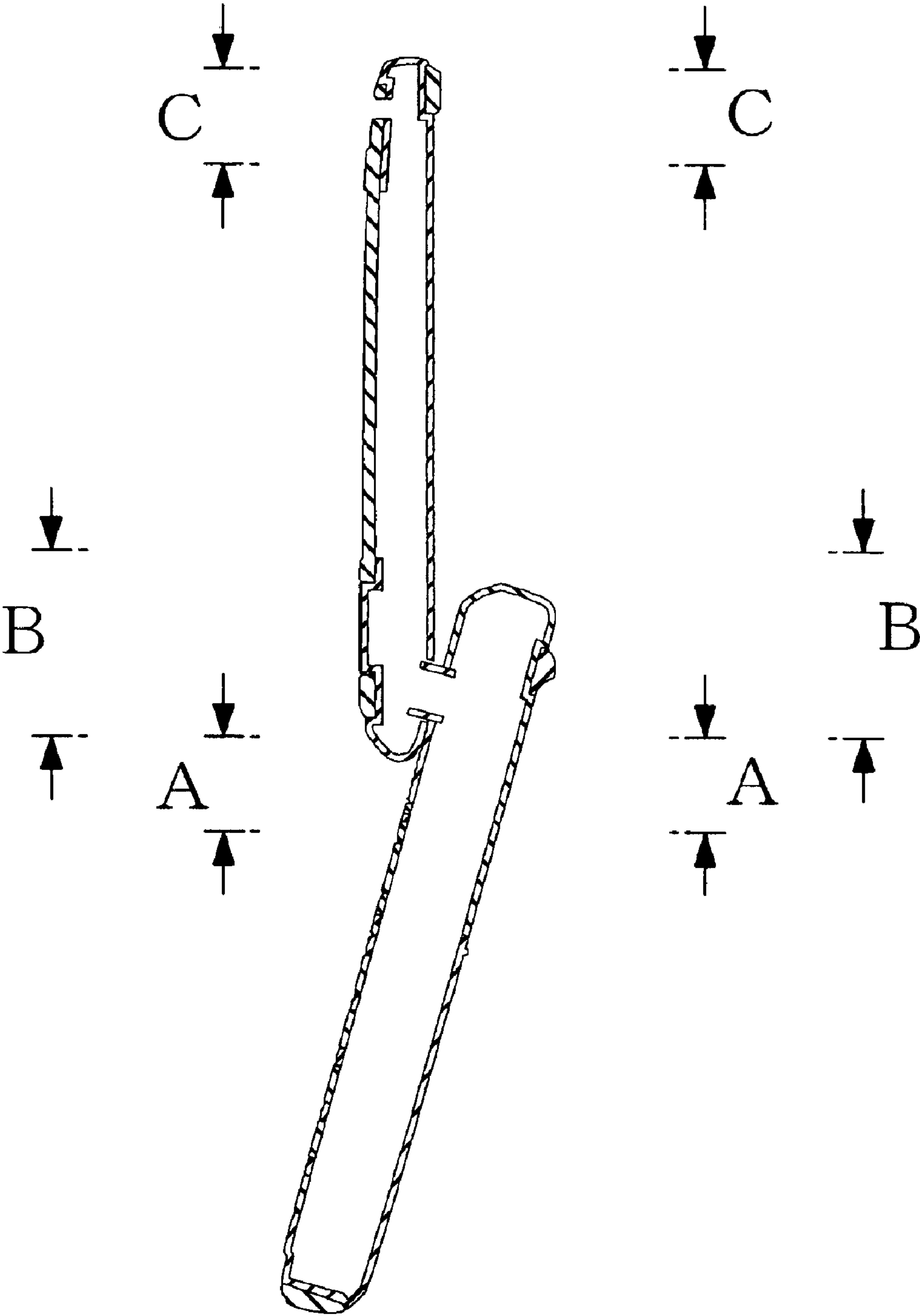


FIG. 18

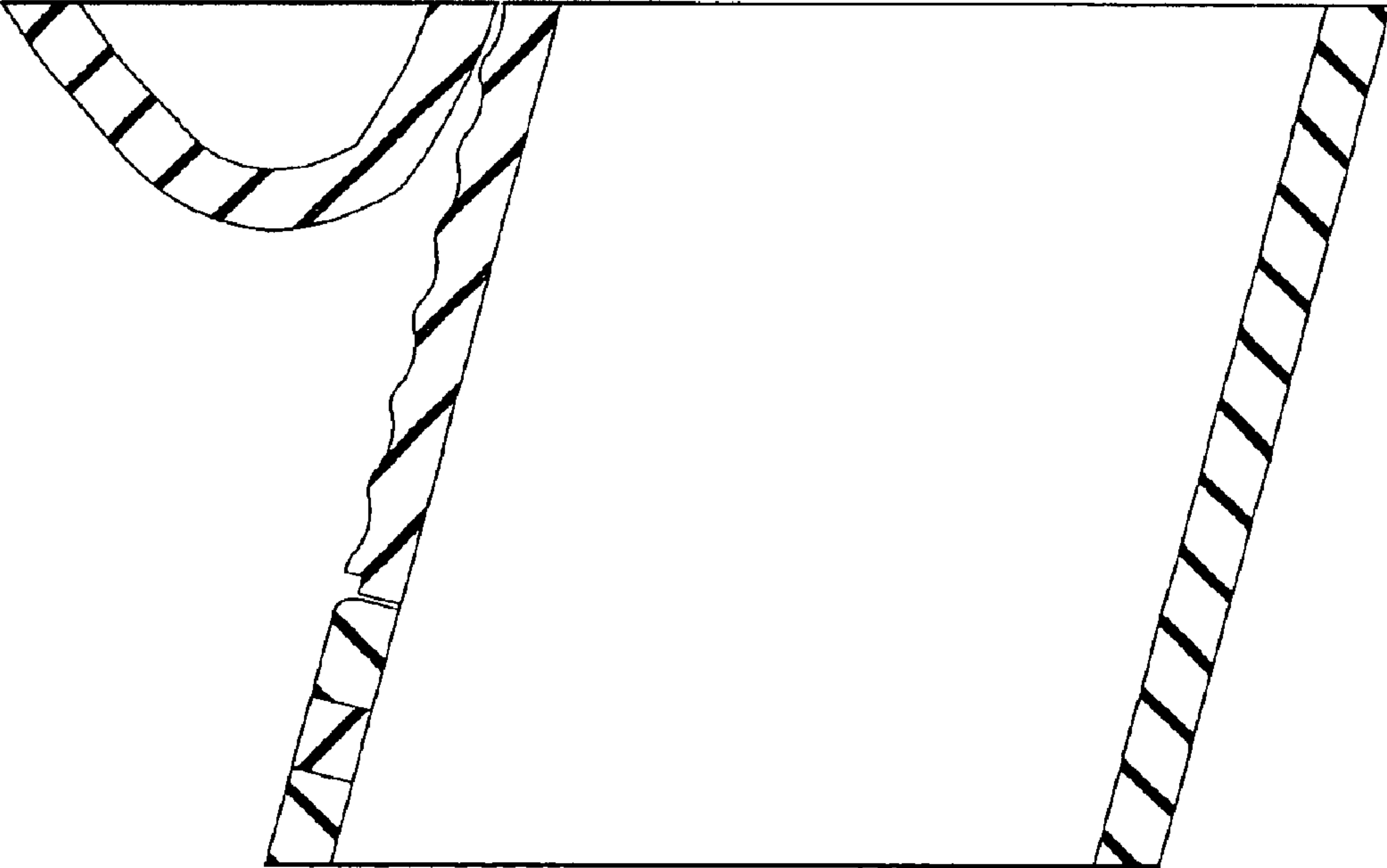


FIG. 19

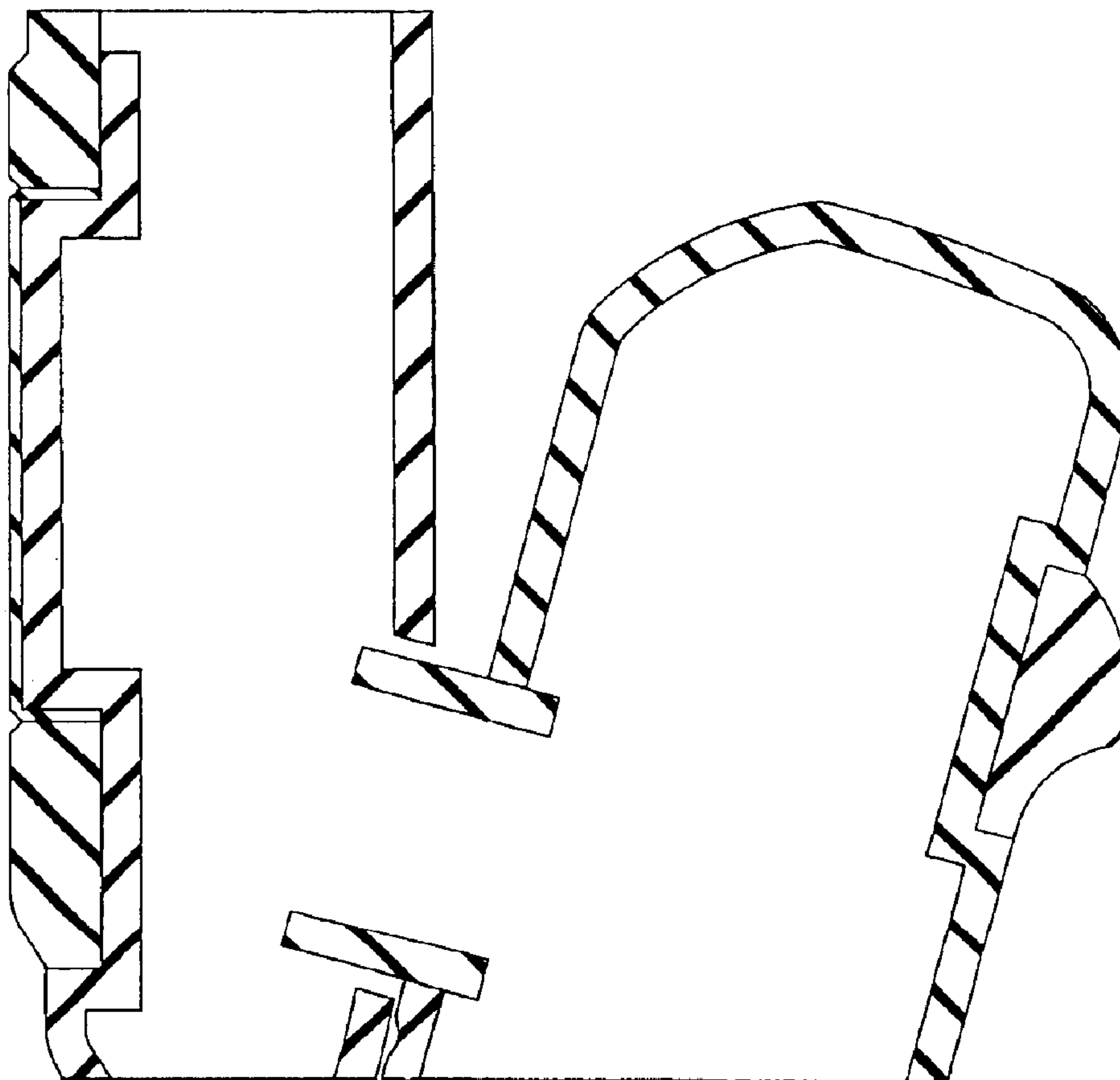


FIG. 20

