

US00D502931S

(12) **United States Design Patent**
Kita

(10) **Patent No.: US D502,931 S**
(45) **Date of Patent: ** Mar. 15, 2005**

- (54) **TELEVISION SET**
- (75) **Inventor: Toshiyuki Kita, Osaka-fu (JP)**
- (73) **Assignee: Sharp Kabushiki Kaisha, Osaka (JP)**
- (**) **Term: 14 Years**
- (21) **Appl. No.: 29/203,768**
- (22) **Filed: Apr. 20, 2004**
- (30) **Foreign Application Priority Data**
Dec. 17, 2003 (JP) 2003-037202
- (51) **LOC (7) Cl. 14-03**
- (52) **U.S. Cl. D14/126**
- (58) **Field of Search D14/125-134,**
D14/239, 371, 374-376; 312/7.2; 348/836,
838, 180, 184, 325, 739; 341/12; 248/917-924;
345/104, 133, 156, 168, 87, 173

- D427,169 S * 6/2000 Saeki et al. D14/126
- D429,227 S 8/2000 Shimizu
- D431,537 S 10/2000 Saeki et al.
- D438,848 S 3/2001 Kita
- D439,224 S 3/2001 Kita
- D439,225 S 3/2001 Kita
- D453,747 S 2/2002 Kita
- D453,748 S 2/2002 Kita
- D456,370 S 4/2002 Kita
- D457,864 S * 5/2002 Bong et al. D14/126
- D458,910 S 6/2002 Kita
- D472,532 S * 4/2003 Niitsu D14/126
- D474,163 S * 5/2003 Araki D14/126
- D483,020 S * 12/2003 Nagao et al. D14/126

- (56) **References Cited**
U.S. PATENT DOCUMENTS
D336,645 S 6/1993 Saito et al.
D337,113 S 7/1993 Saito et al.
D342,497 S 12/1993 Saito et al.
D342,501 S 12/1993 Saeki et al.
D342,509 S 12/1993 Saito et al.
D351,155 S 10/1994 Usami et al.
D351,156 S 10/1994 Usami et al.
D357,244 S 4/1995 Usami et al.
D357,245 S 4/1995 Usami et al.
D357,472 S 4/1995 Usami et al.
D369,596 S 5/1996 Akiyama et al.
D372,026 S 7/1996 Akiyama et al.
D373,583 S 9/1996 Akiyama et al.
D408,416 S * 4/1999 Fenner et al. D14/239
D412,891 S * 8/1999 Sumii D14/374

OTHER PUBLICATIONS

U.S. Appl. No. 29/193,998, Kita, filed Nov. 2003.
U.S. Appl. No. 29/194,701, Kita, filed Dec. 2003.

* cited by examiner

Primary Examiner—Raphael Barkai
(74) *Attorney, Agent, or Firm*—Nixon & Vanderhye P.C.

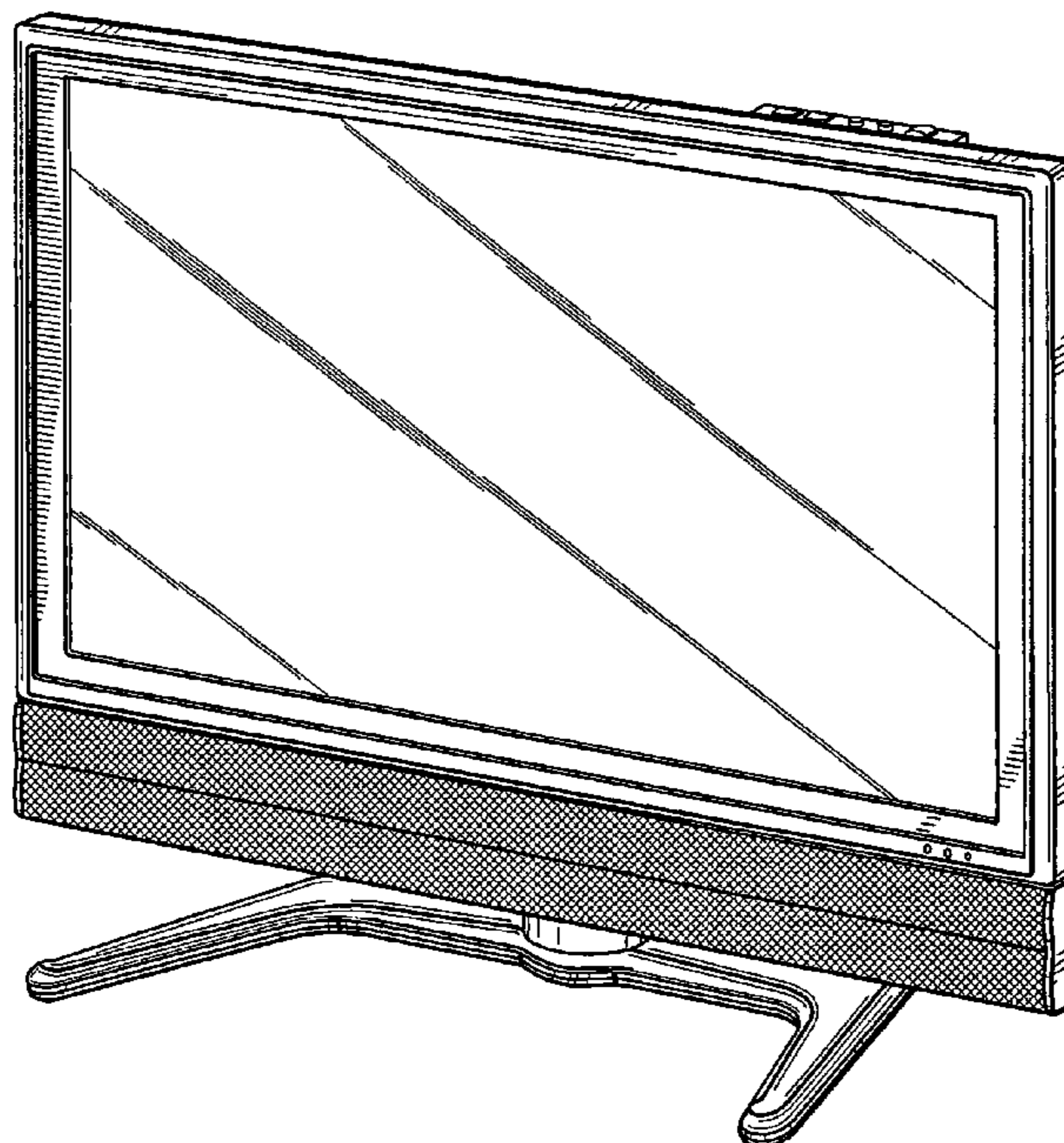
(57) **CLAIM**

The ornamental design for a “television set”, as shown and described.

DESCRIPTION

FIG. 1 is a top front and right side perspective view of a television set according to my design;
FIG. 2 is a front elevational view thereof;
FIG. 3 is a rear elevational view thereof;
FIG. 4 is a top plan view thereof;
FIG. 5 is a bottom plan view thereof;
FIG. 6 is a left side elevational view thereof; and,
FIG. 7 is a right side elevational view thereof.

1 Claim, 6 Drawing Sheets



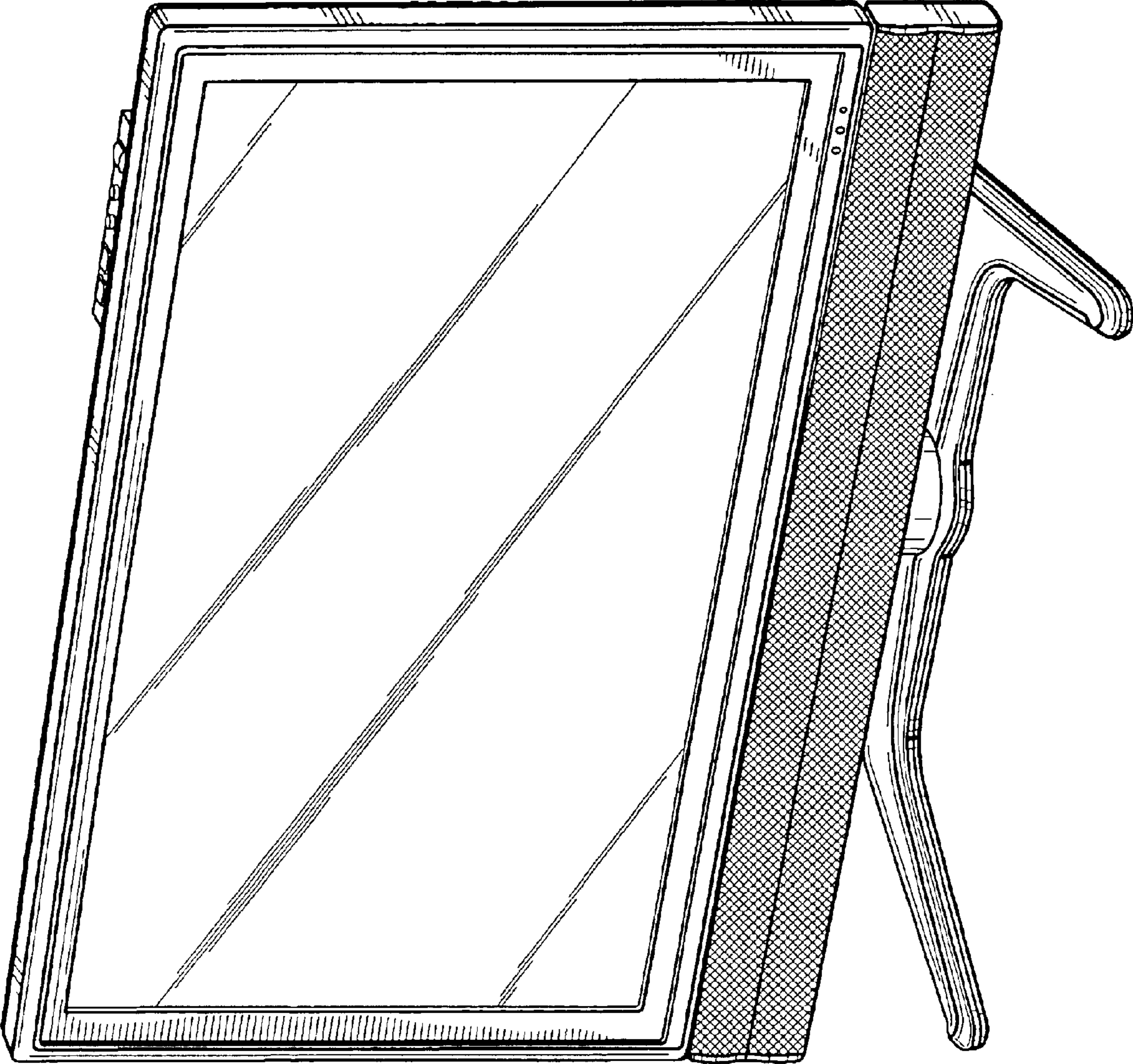


Fig.1

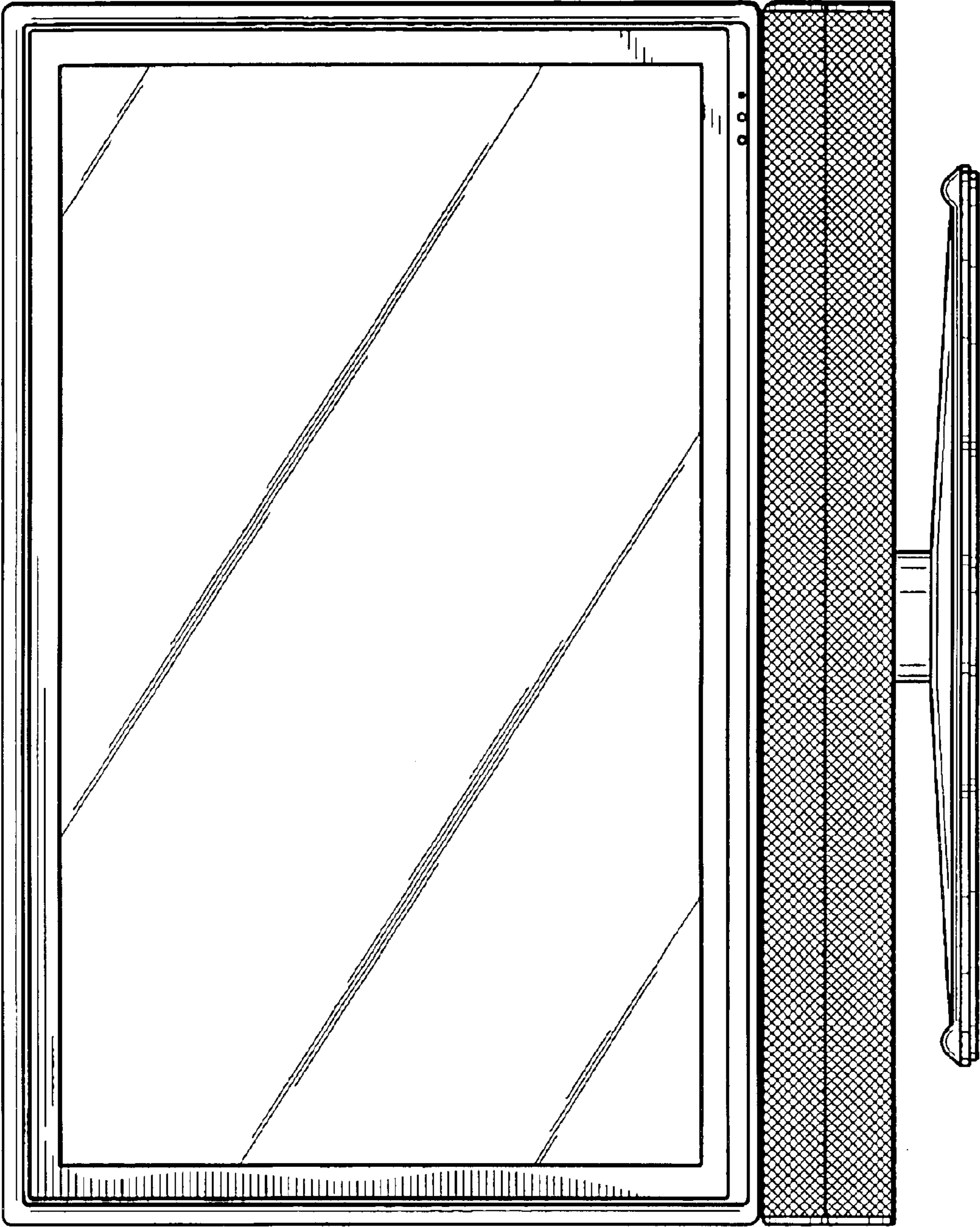


Fig. 2

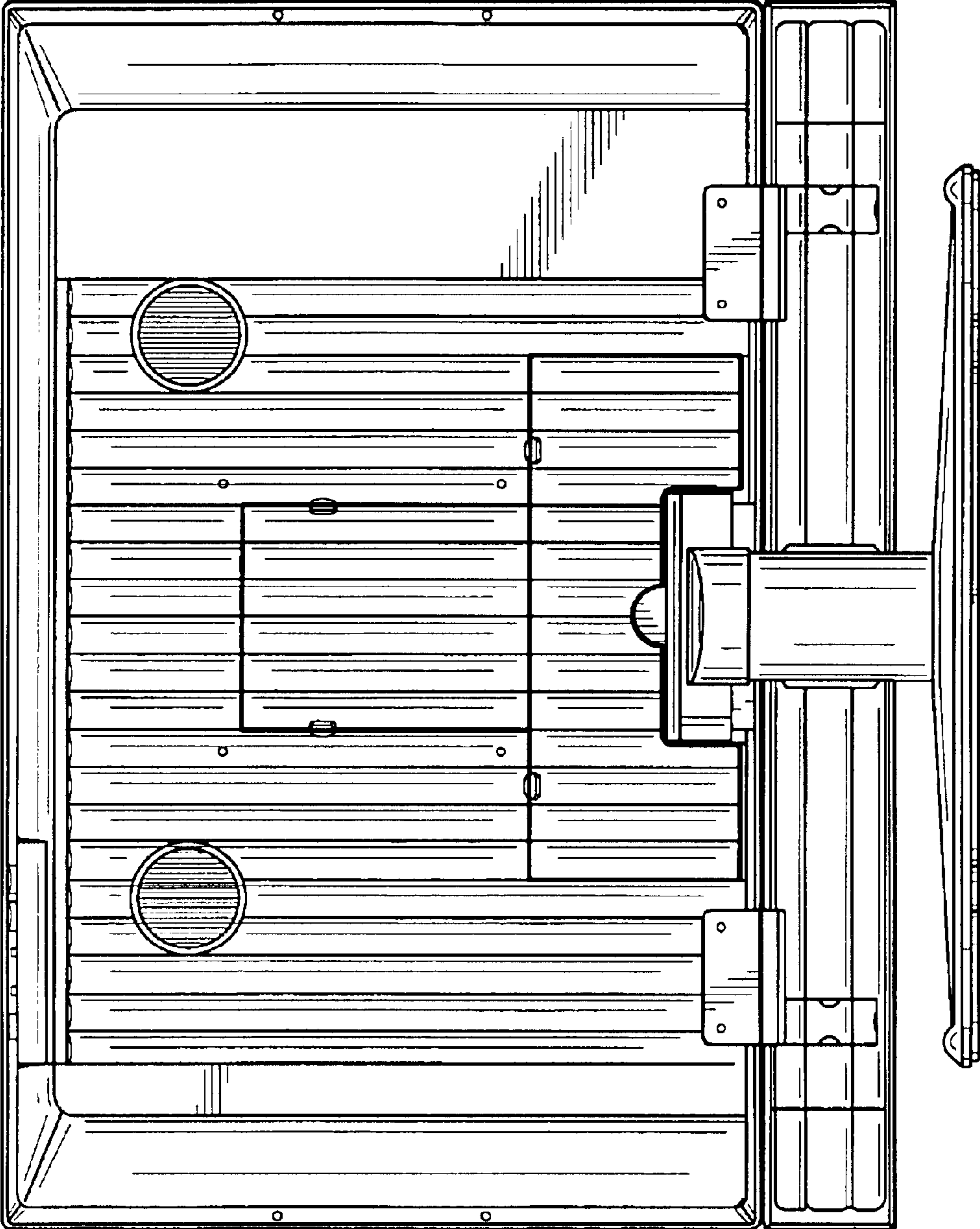


Fig.3

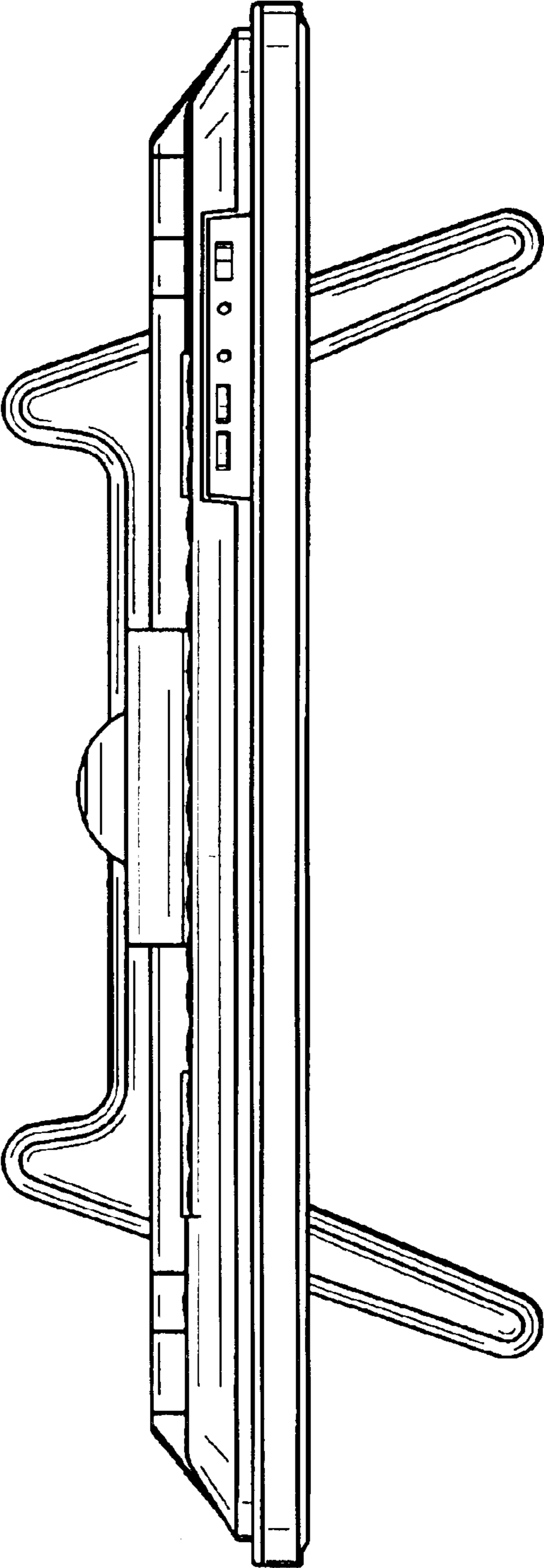


Fig.4

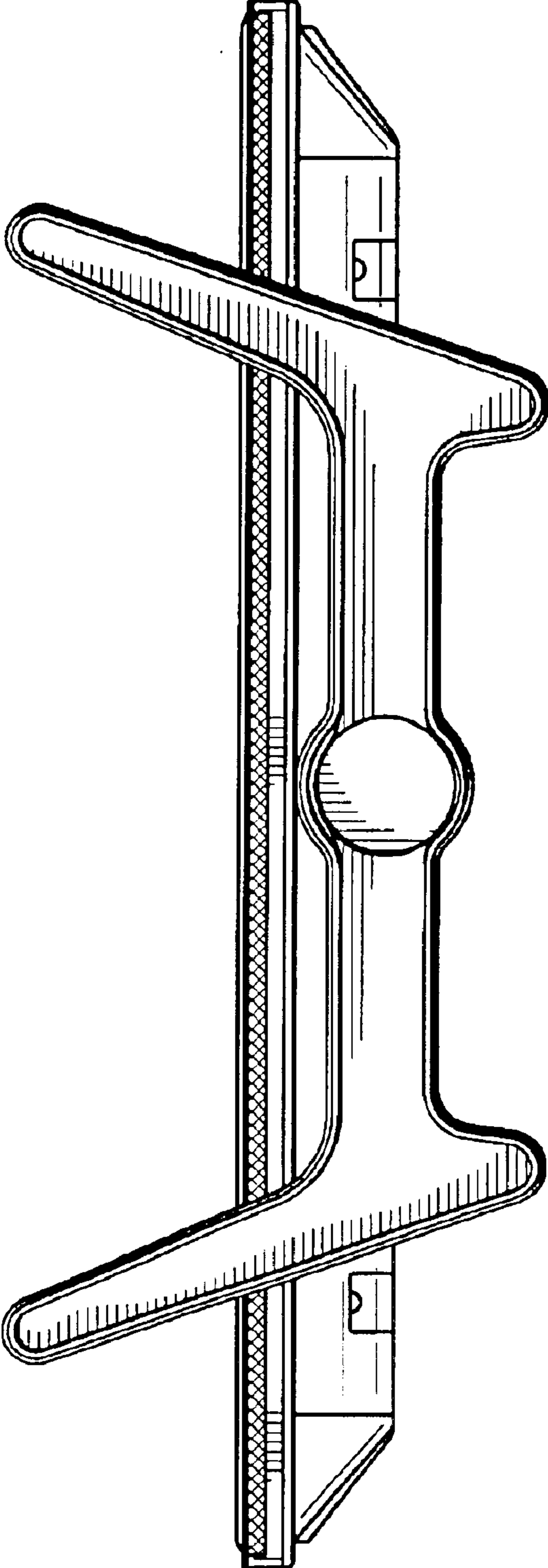


Fig. 5

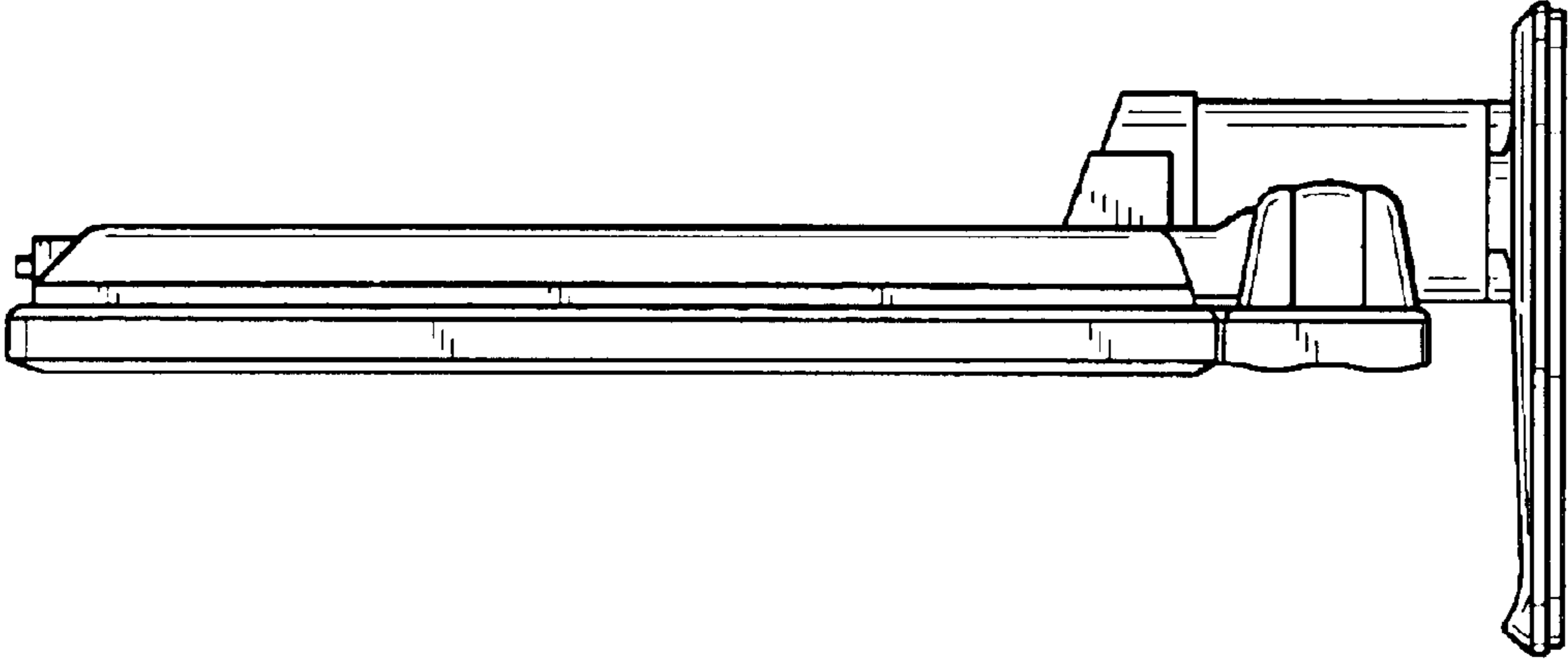


Fig. 7

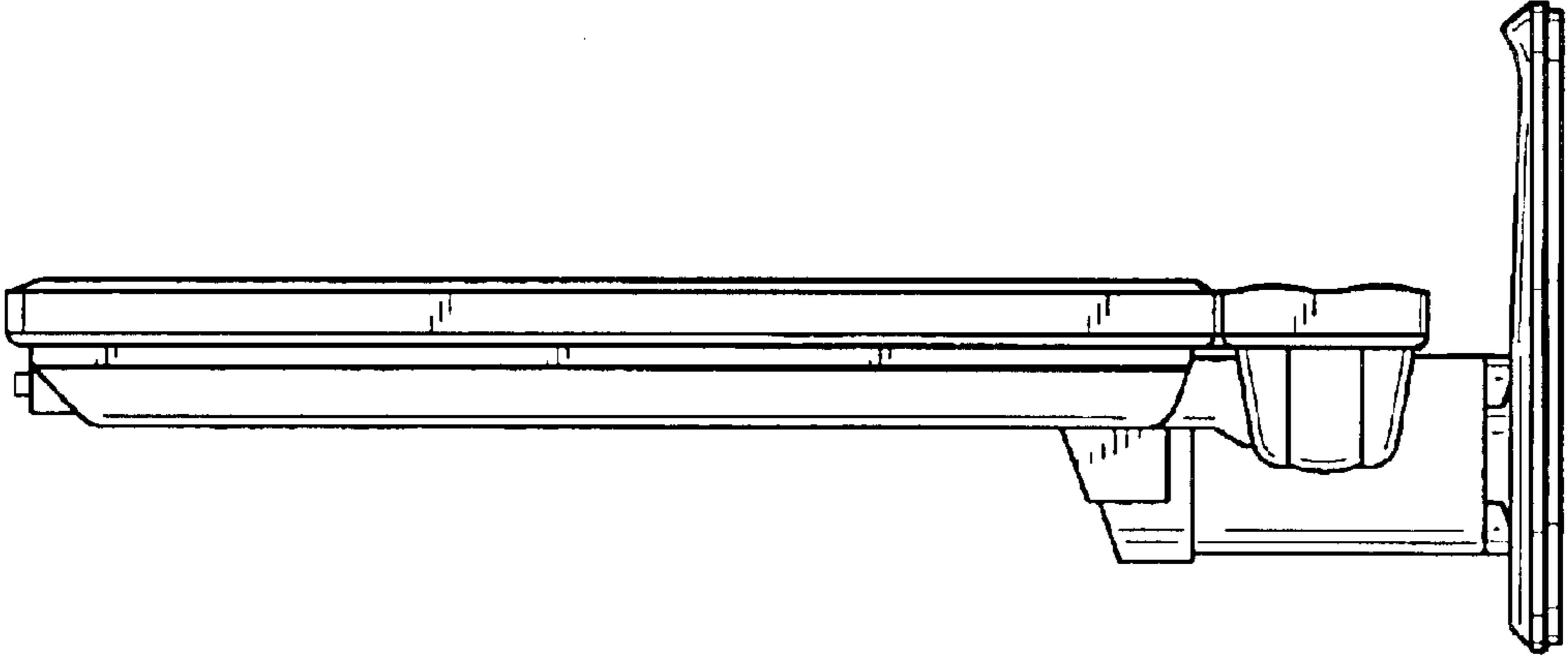


Fig. 6