



US00D502926S

(12) **United States Design Patent**
Zimmerman

(10) **Patent No.:** **US D502,926 S**
(45) **Date of Patent:** **** Mar. 15, 2005**

(54) **ELECTRICAL GANG BOX COVER**

DESCRIPTION

(76) Inventor: **James Zimmerman**, 13133 130th Lane NE., Kirkland, WA (US) 98034

(**) Term: **14 Years**

(21) Appl. No.: **29/192,669**

(22) Filed: **Oct. 28, 2003**

(51) **LOC (7) Cl.** **13-03**

(52) **U.S. Cl.** **D13/156; D13/152**

(58) **Field of Search** **D13/156, 152, D13/177, 154, 158, 184; D10/57, 64; D8/350-353; 220/3.3-3.8, 241, 242; 206/460, 820; 174/50, 66, 67, 48, 53, 54**

(56) **References Cited**

U.S. PATENT DOCUMENTS

3,059,803 A * 10/1962 Holsinger 220/3.4
D238,762 S * 2/1976 Black D10/64
D295,257 S * 4/1988 Staub D8/353
D449,279 S * 10/2001 Takach et al. D13/152

OTHER PUBLICATIONS

Paint Shields, undated brochure.

* cited by examiner

Primary Examiner—Alan P. Douglas

Assistant Examiner—Susan M Lee

(74) *Attorney, Agent, or Firm*—Dean A. Craine

(57) **CLAIM**

The ornamental design for an electrical gang box cover, as shown and described.

FIG. 1 is a perspective view of a single electrical gang box cover

FIG. 2 is a top plan view of the invention shown in FIG. 1.
FIG. 3 is a bottom plan view of the invention shown in FIG. 1

FIG. 4 is a front elevational view of the invention shown in FIG. 1.

FIG. 5 is a left side elevational view of the invention shown in FIG. 1.

FIG. 6 is a right side elevational view of the invention shown in FIG. 1.

FIG. 7 is a rear elevational view of the invention shown in FIG. 1.

FIG. 8 is a perspective view of a double electrical gang box cover.

FIG. 9 is a top plan view of the invention shown in FIG. 8.
FIG. 10 is a bottom plan view of the invention shown in FIG. 8

FIG. 11 is a front elevational view of the invention shown in FIG. 8

FIG. 12 is a left side elevational view of the invention shown in FIG. 8.

FIG. 13 is a right side elevational view of the invention shown in FIG. 8.

FIG. 14 is a rear elevational view of the invention shown in FIG. 8.

FIG. 15 is a perspective view of a triple electrical gang box cover.

FIG. 16 is a top plan view of the invention shown in FIG. 15.
FIG. 17 is a bottom plan view of the invention shown in FIG. 15.

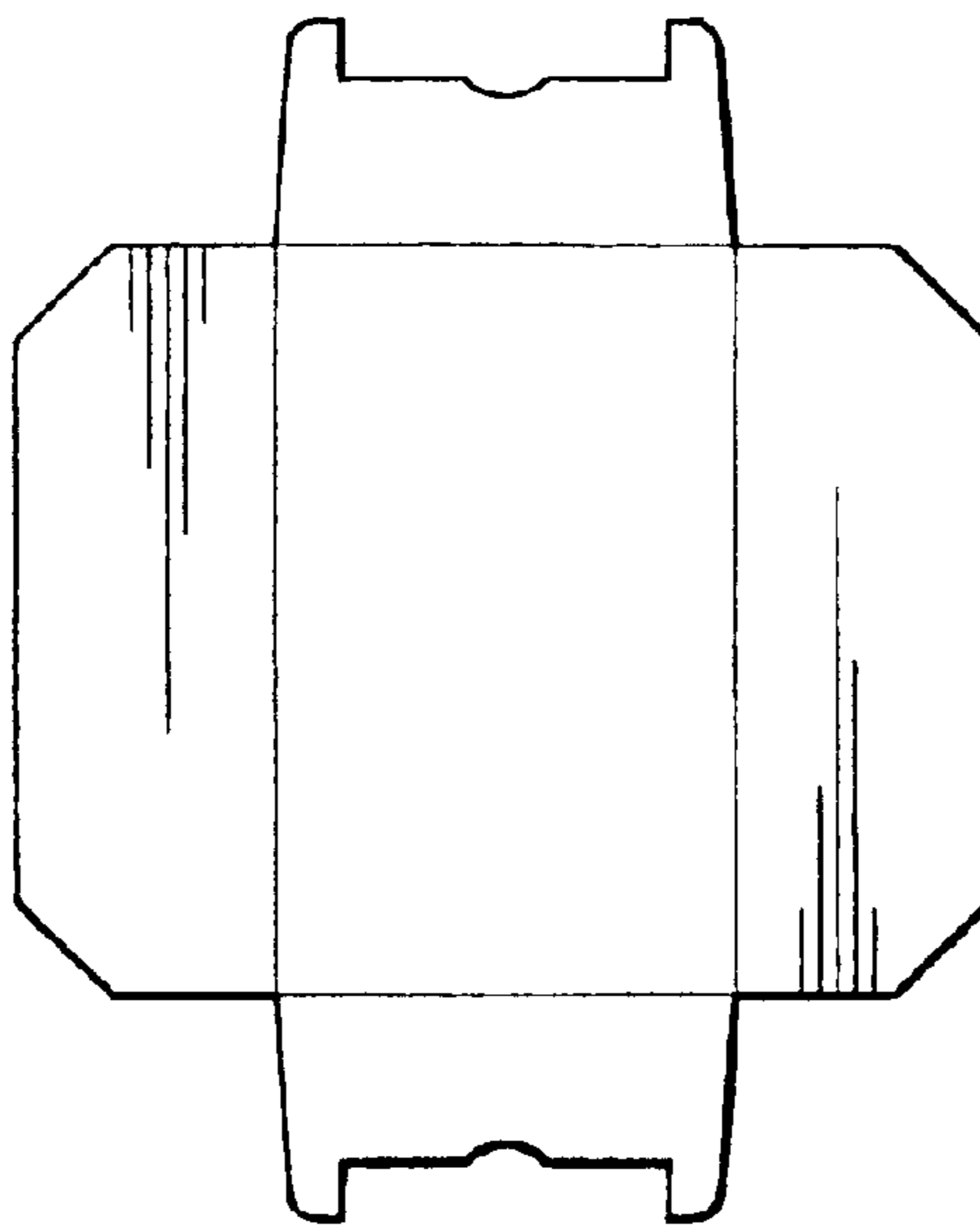
FIG. 18 is a front elevational view of the invention shown in FIG. 15.

FIG. 19 is a left side elevational view of the invention shown in FIG. 15.

FIG. 20 is a right side elevational view of the invention shown in FIG. 15; and,

FIG. 21 is a rear elevational view of the invention shown in FIG. 15.

1 Claim, 3 Drawing Sheets



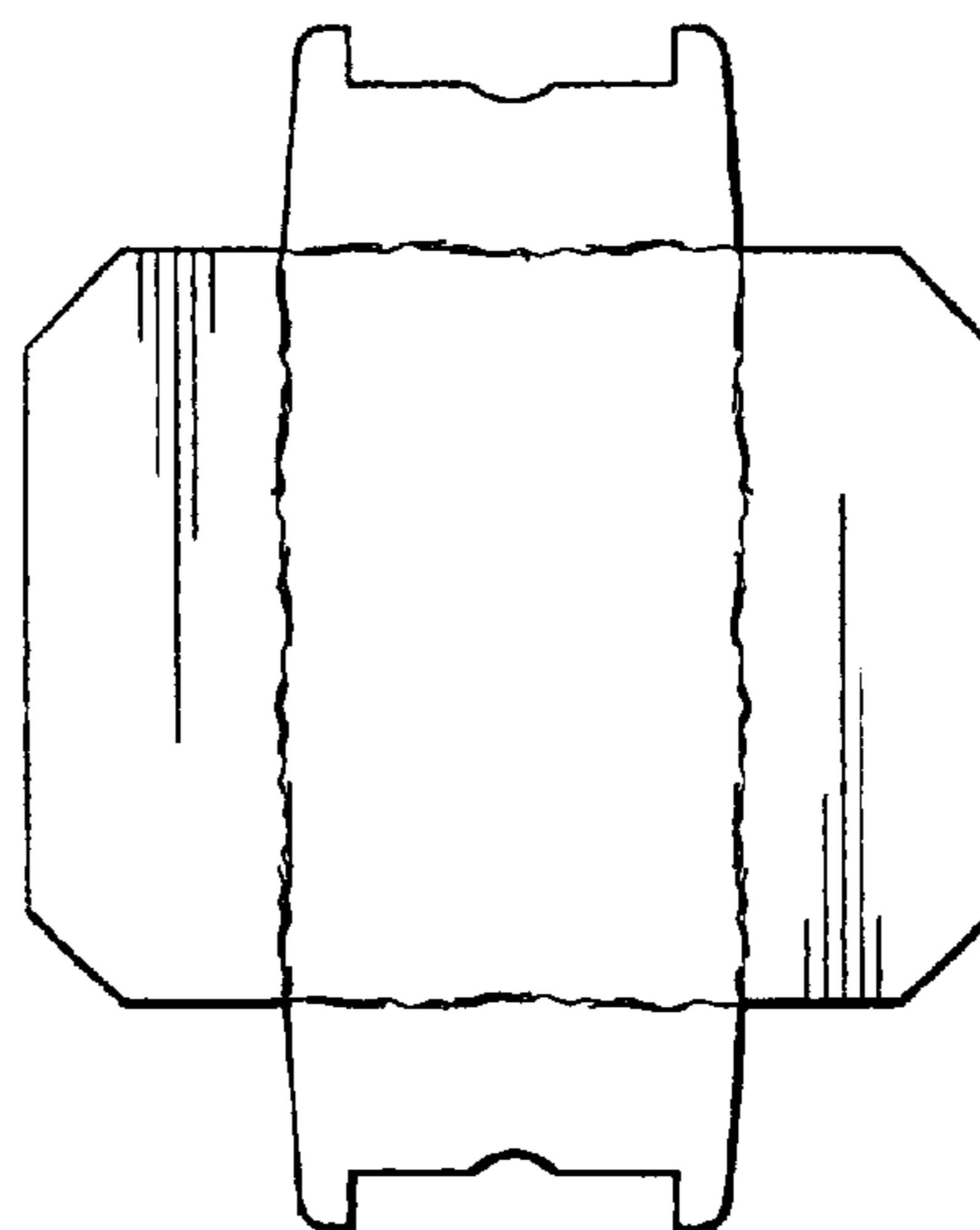
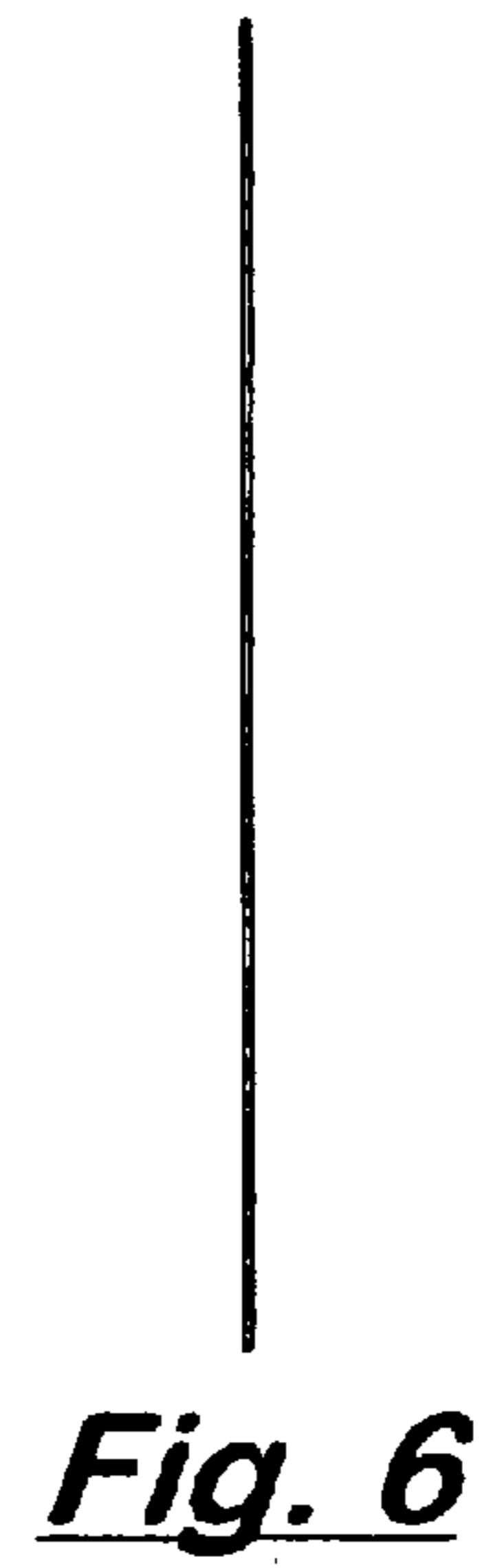
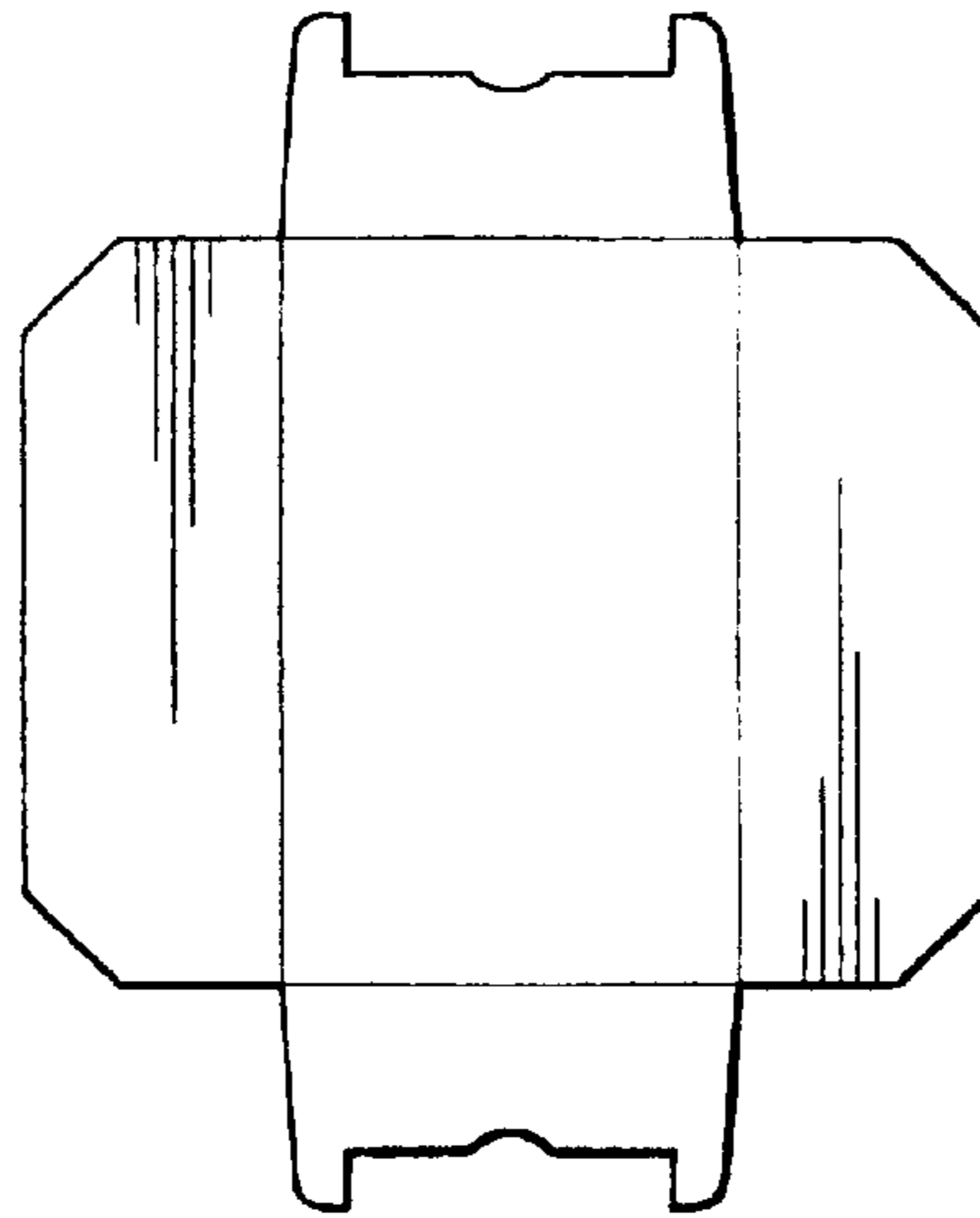
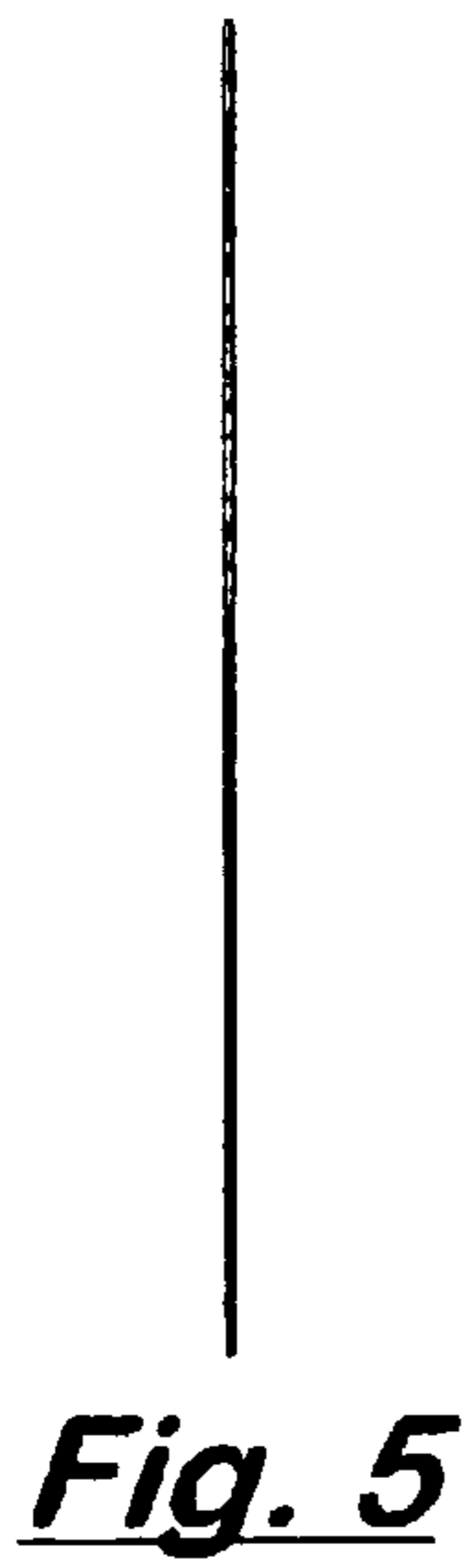
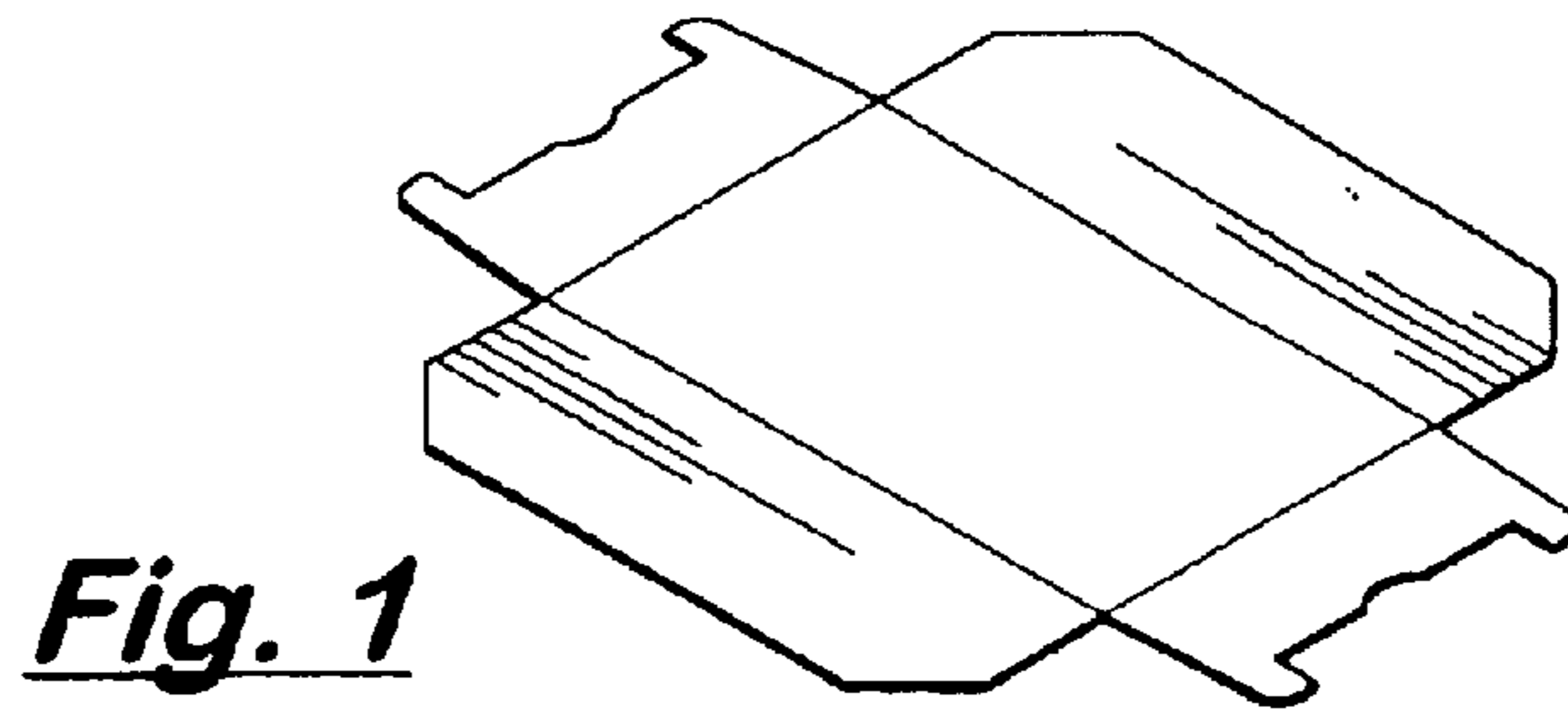


Fig. 3

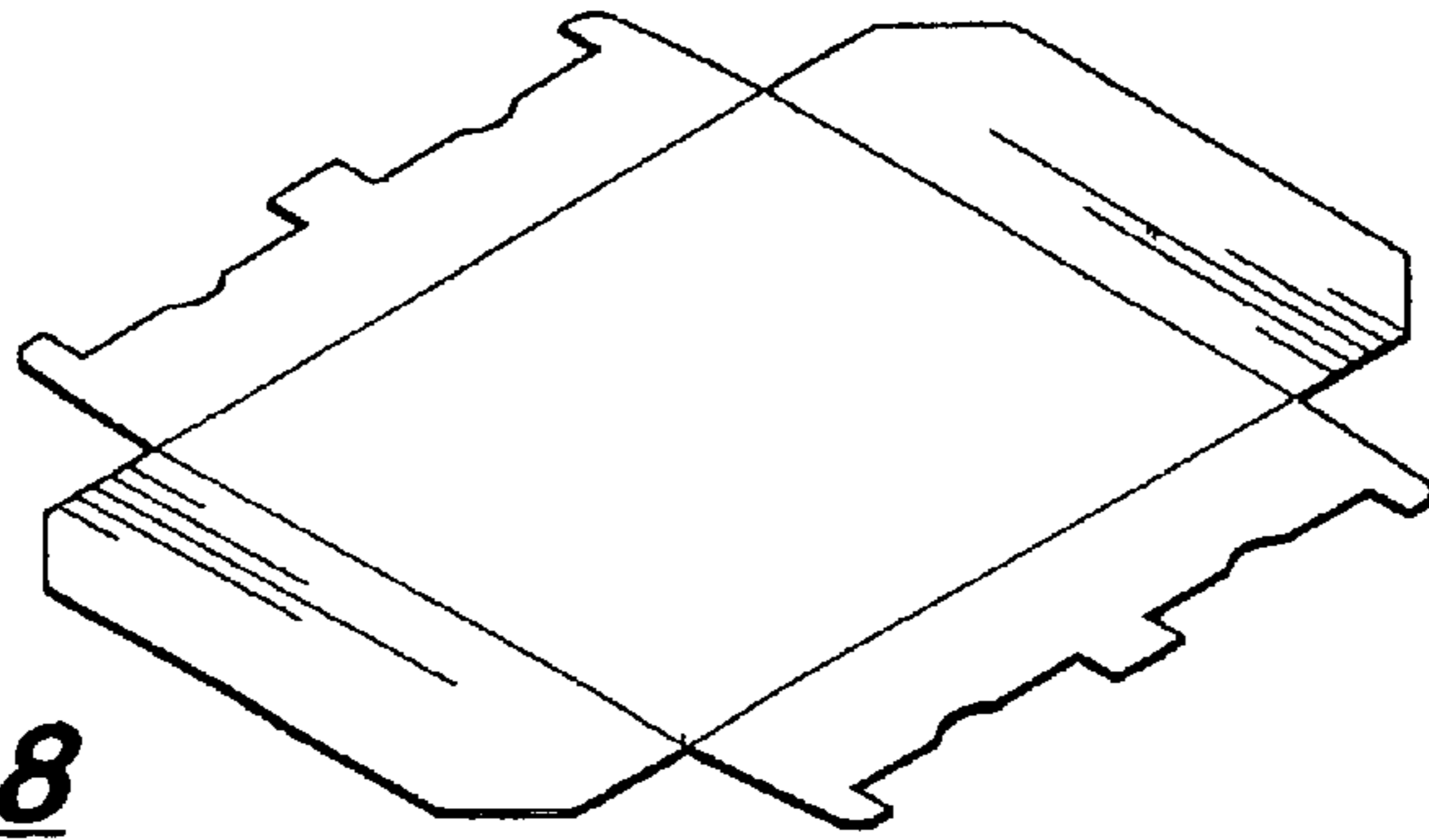


Fig. 8

Fig. 11

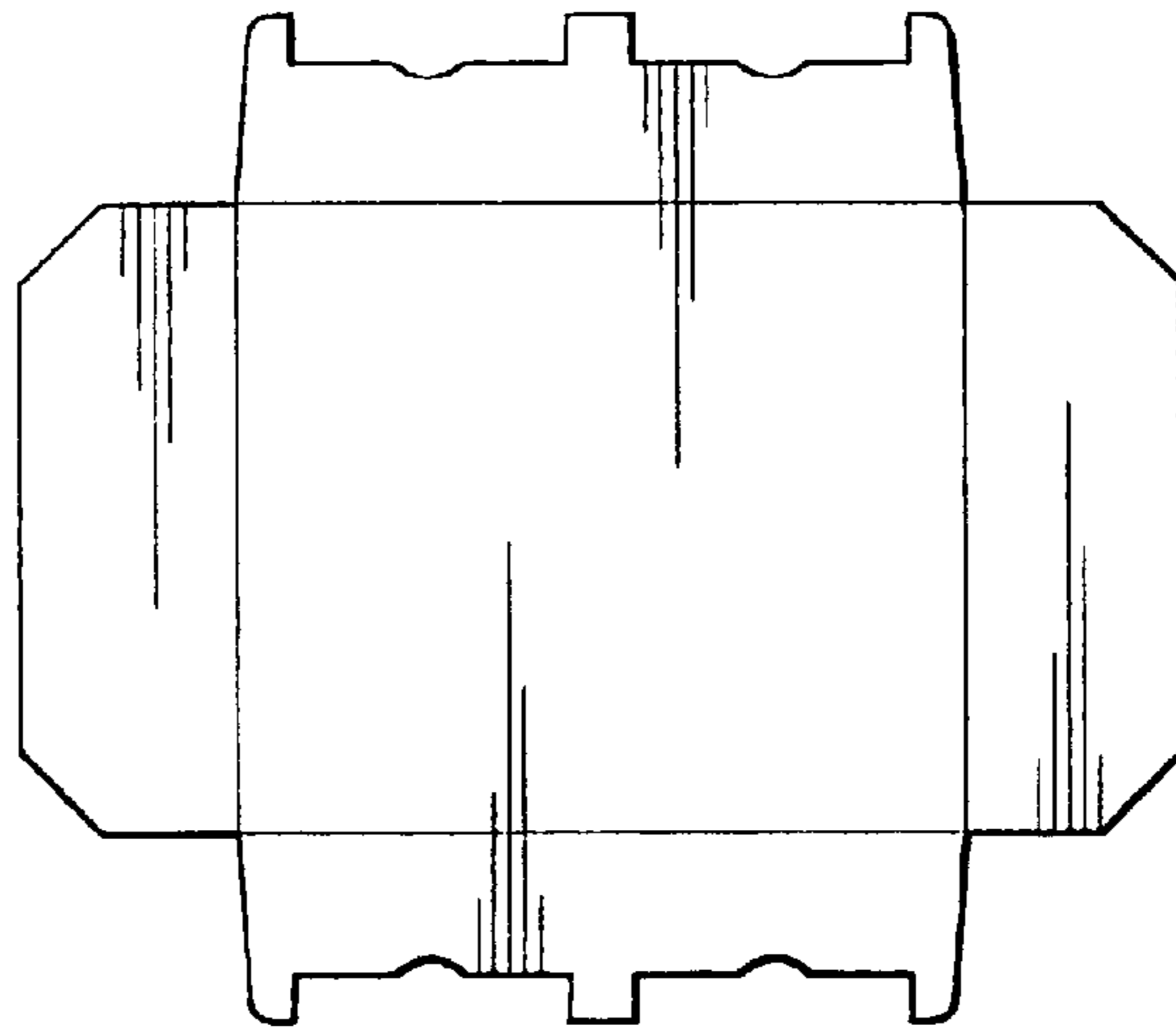


Fig. 9

Fig. 12

Fig. 13

Fig. 14

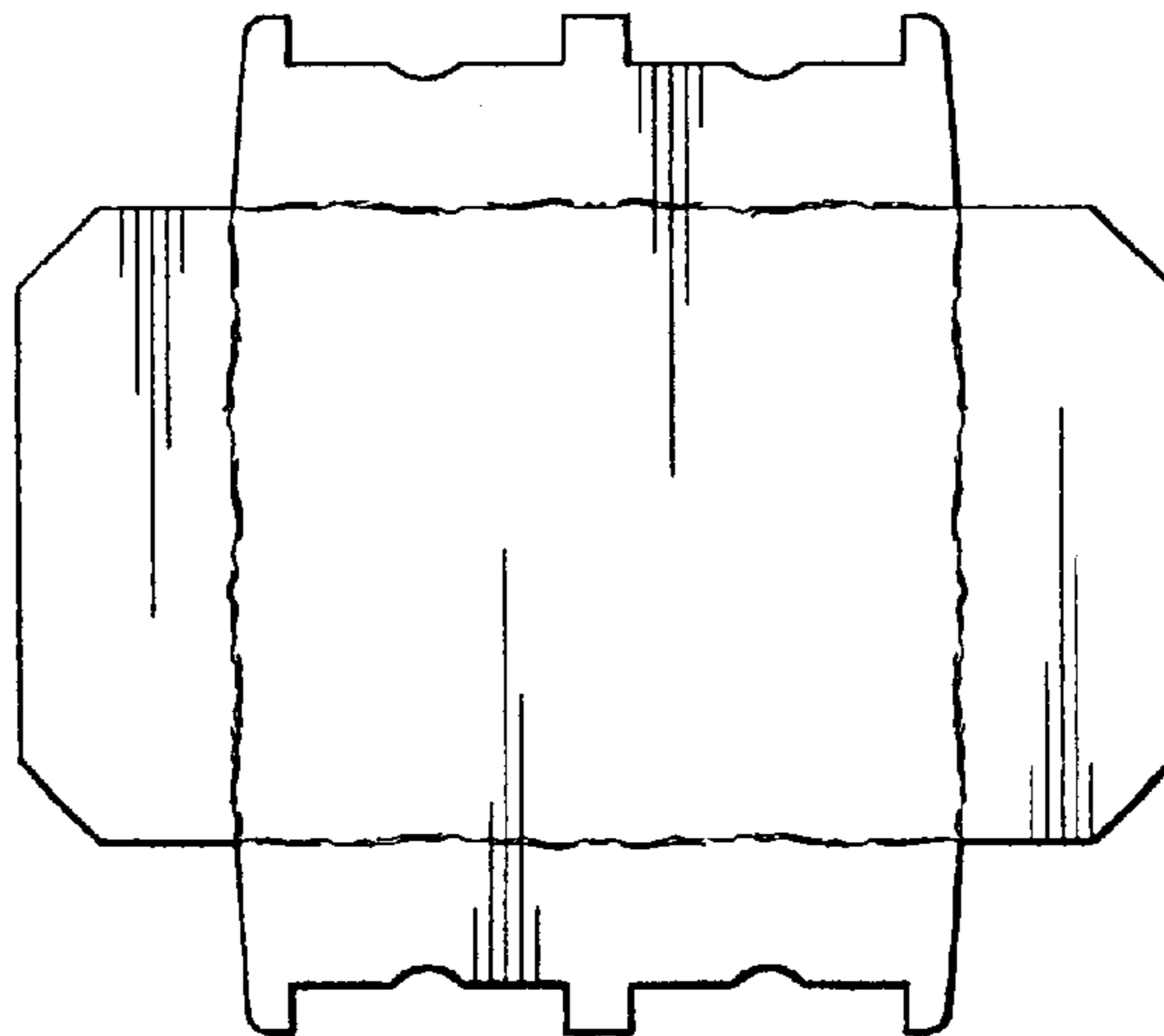


Fig. 10

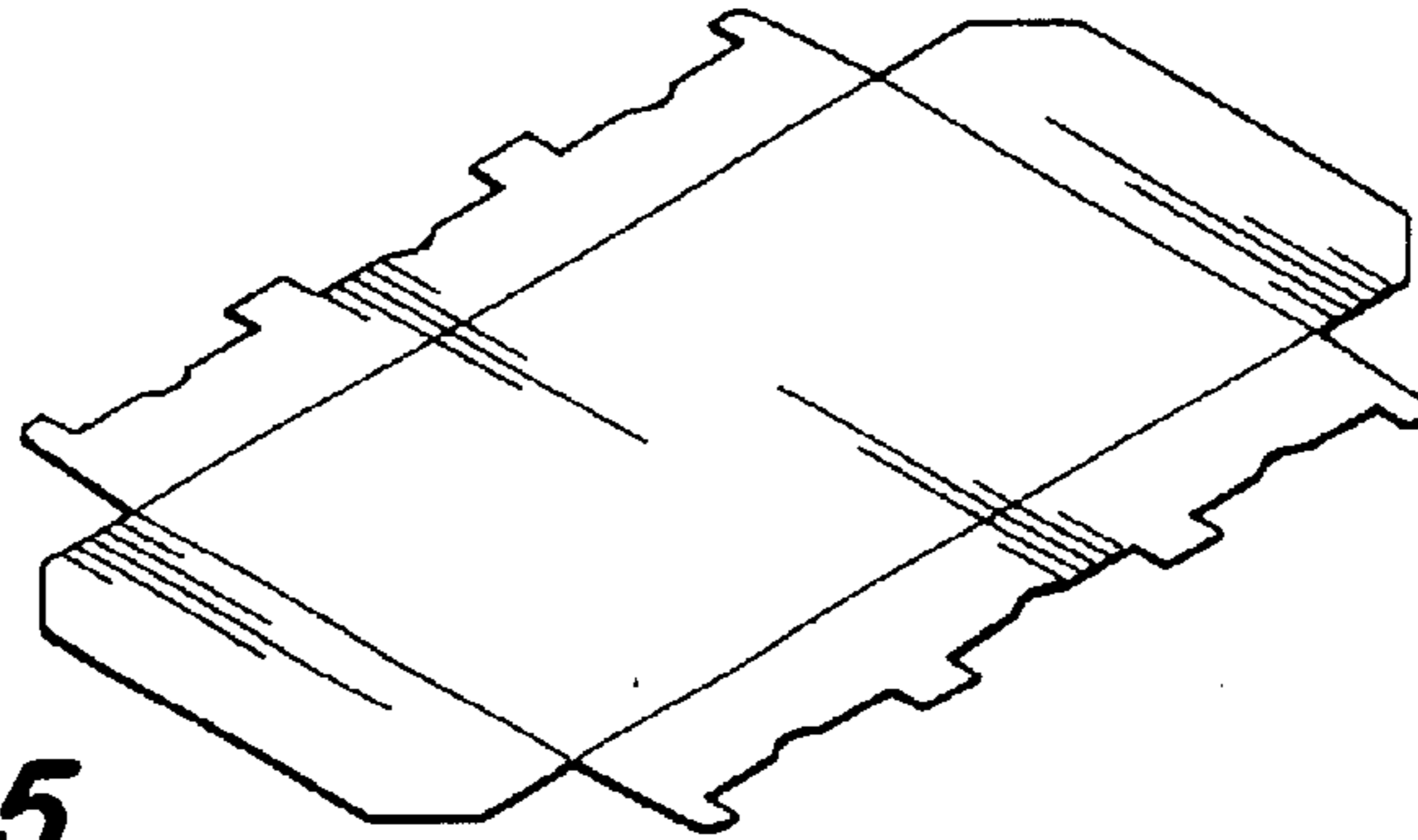


Fig. 15

Fig. 18

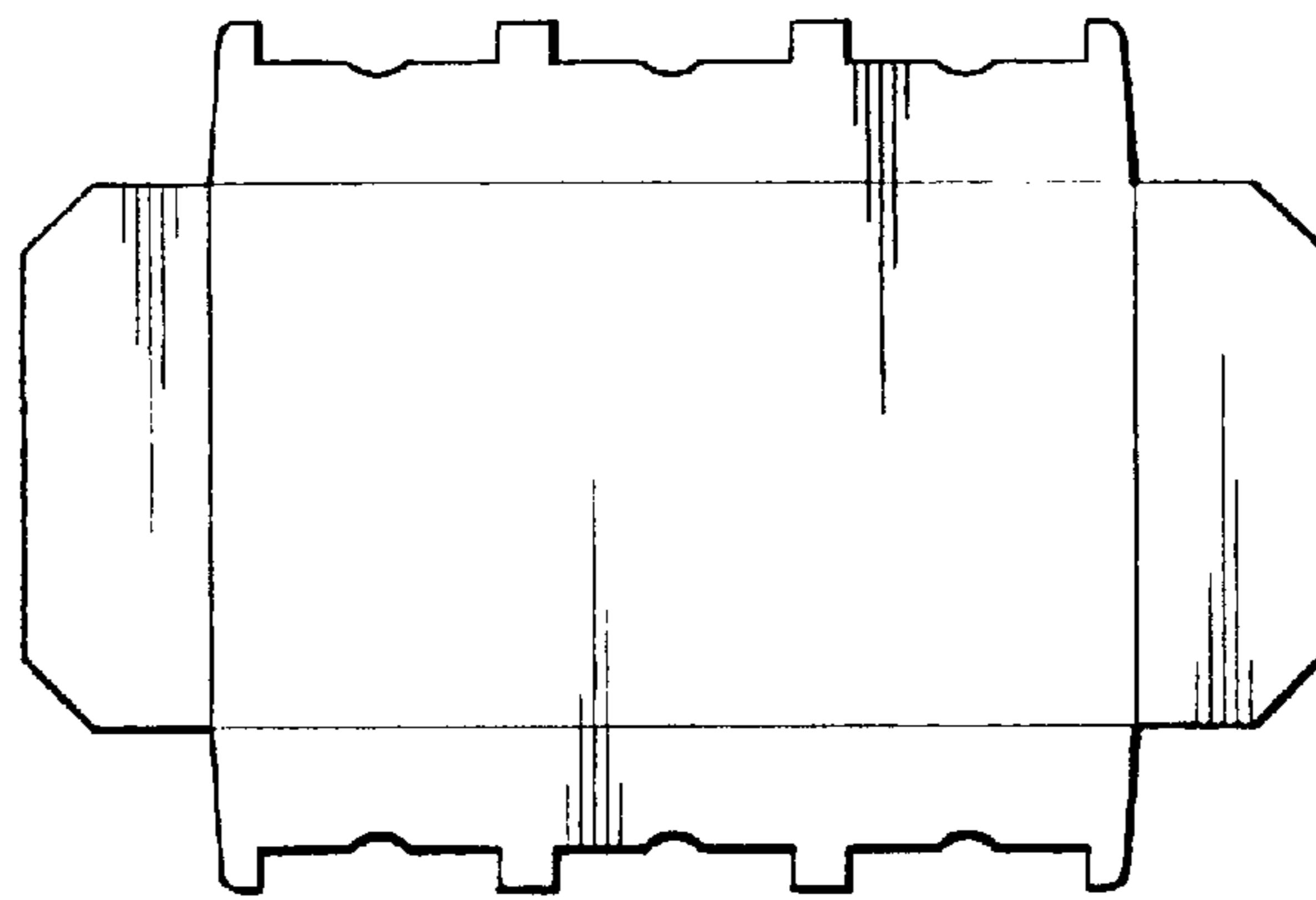


Fig. 16

Fig. 19

Fig. 20

Fig. 21

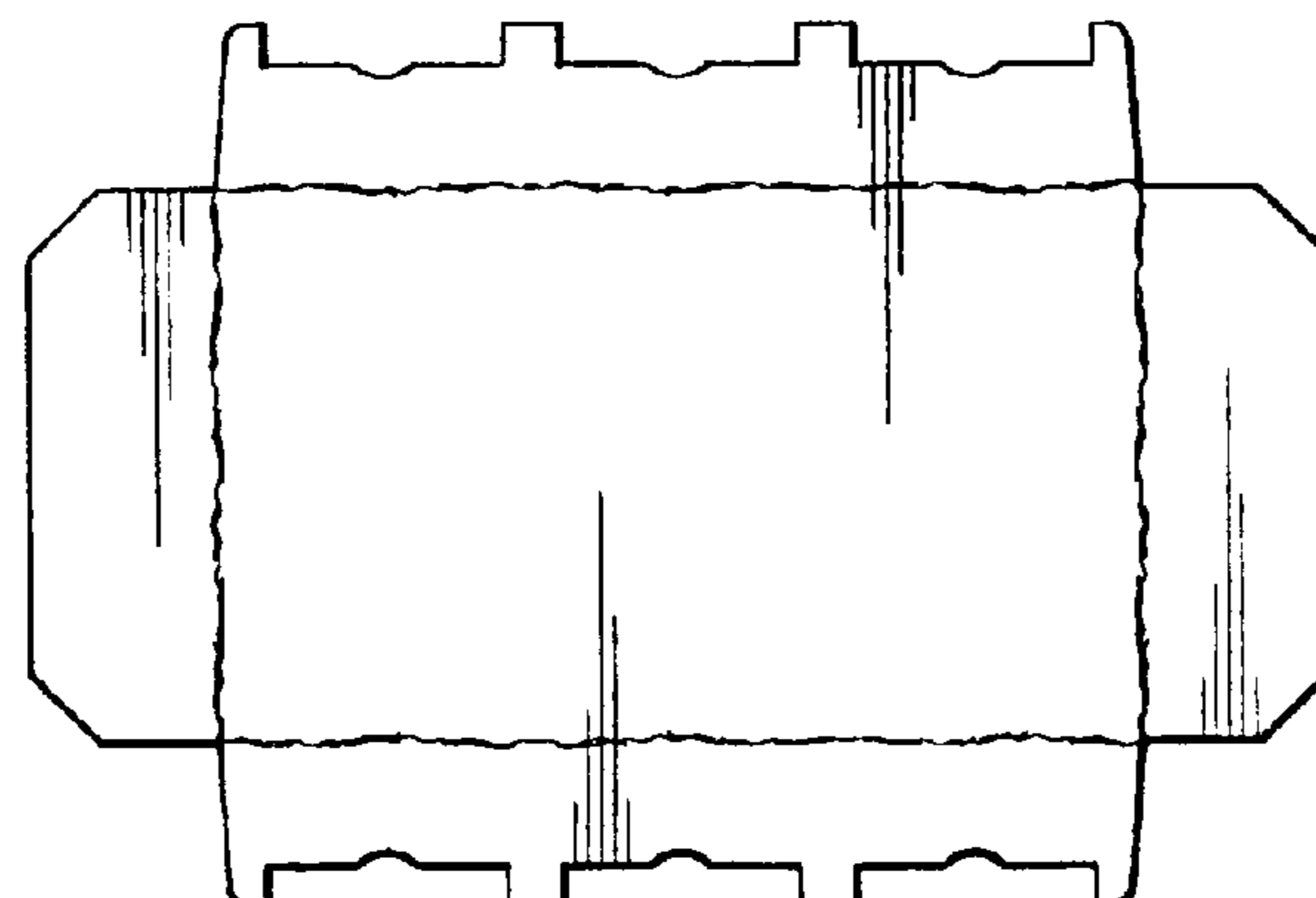


Fig. 17