

US00D502920S

(12) **United States Design Patent**
Kimura et al.

(10) **Patent No.:** **US D502,920 S**
(45) **Date of Patent:** **** Mar. 15, 2005**

(54) **ELECTRICAL CONNECTOR**
(75) Inventors: **Akira Kimura**, Kokubunji (JP);
Masaaki Takaku, Tokyo (JP); **Kazushi**
Kamata, Hirosaki (JP)

(73) Assignees: **Japan Aviation Electronics Industry,**
Limited, Tokyo (JP); **JAE Hirosaki,**
Ltd., Aomori (JP)

(**) Term: **14 Years**

(21) Appl. No.: **29/194,367**

(22) Filed: **Nov. 21, 2003**

(30) **Foreign Application Priority Data**

May 23, 2003 (JP) 2003-018263

(51) **LOC (7) Cl.** **13-03**

(52) **U.S. Cl.** **D13/147**

(58) **Field of Search** D13/146, 147;
439/59, 62, 78, 79, 260, 630, 636, 637

(56) **References Cited**

U.S. PATENT DOCUMENTS

3,899,234 A * 8/1975 Yeager et al. 439/267
4,479,686 A * 10/1984 Hoshino et al. 439/78
4,487,464 A * 12/1984 Kirschenbaum 439/62

4,715,820 A * 12/1987 Andrews et al. 439/59
5,711,690 A * 1/1998 Thrush et al. 439/862
6,149,468 A * 11/2000 Meng 439/637
D450,658 S * 11/2001 Kurasaki et al. D13/147
D451,885 S * 12/2001 Hisatomi et al. D13/147

* cited by examiner

Primary Examiner—Stella Reid
Assistant Examiner—Selina Sikder

(74) *Attorney, Agent, or Firm*—Collard & Roe, P.C.

(57) **CLAIM**

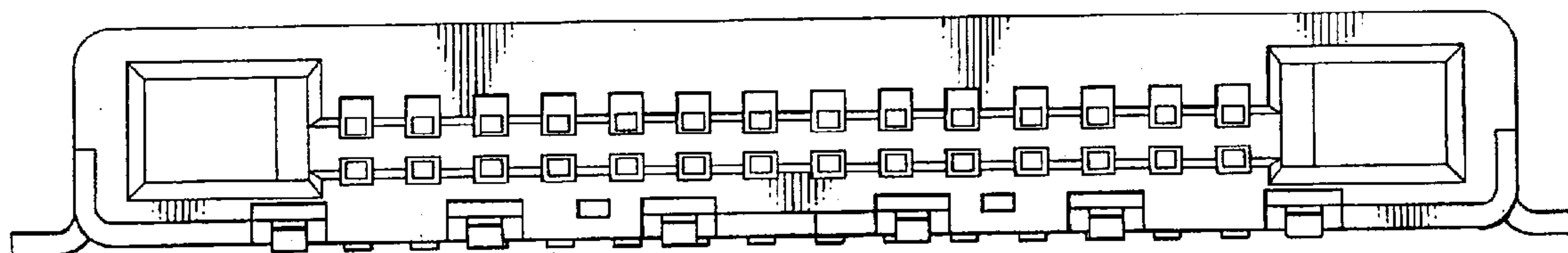
The ornamental design for an electrical connector, as shown and described.

DESCRIPTION

FIG. 1 is a front elevational view of an electrical connector; FIG. 2 is a top plan view thereof; FIG. 3 is a bottom plan view thereof; FIG. 4 is a rear elevational view thereof; FIG. 5 is a left side elevational view thereof; and, FIG. 6 is a front, top, and right side perspective view thereof. A right side elevational view of the electrical connector is omitted because it is presented symmetrical to the left side elevational view of FIG. 5.

The broken line showing of the environment is for illustrative purpose only and forms no part of the claimed design.

1 Claim, 4 Drawing Sheets



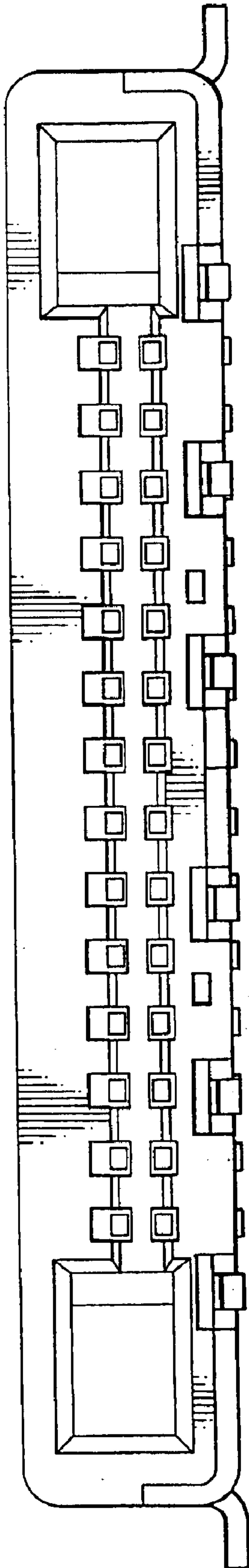


FIG. 1

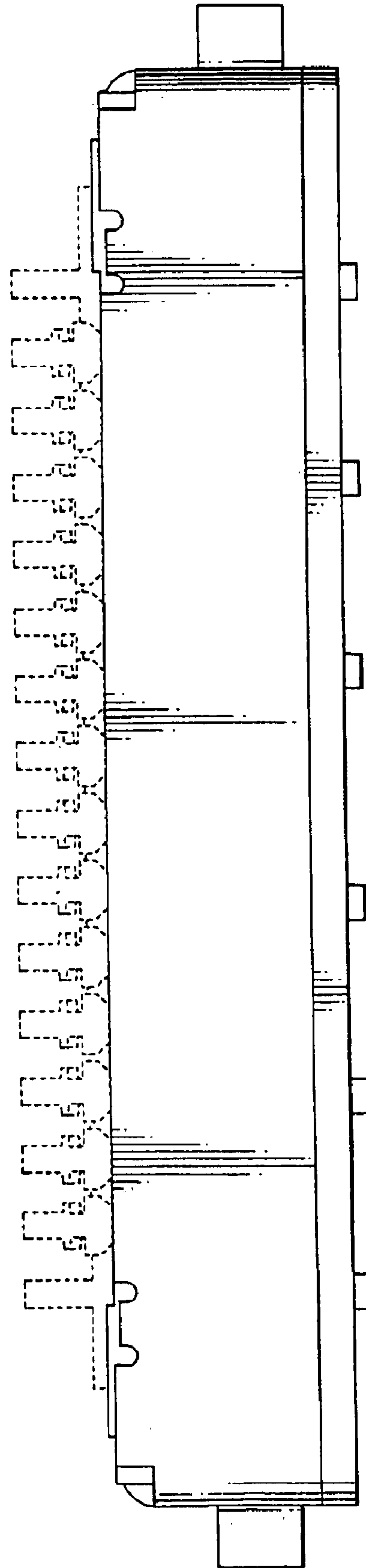


FIG. 2

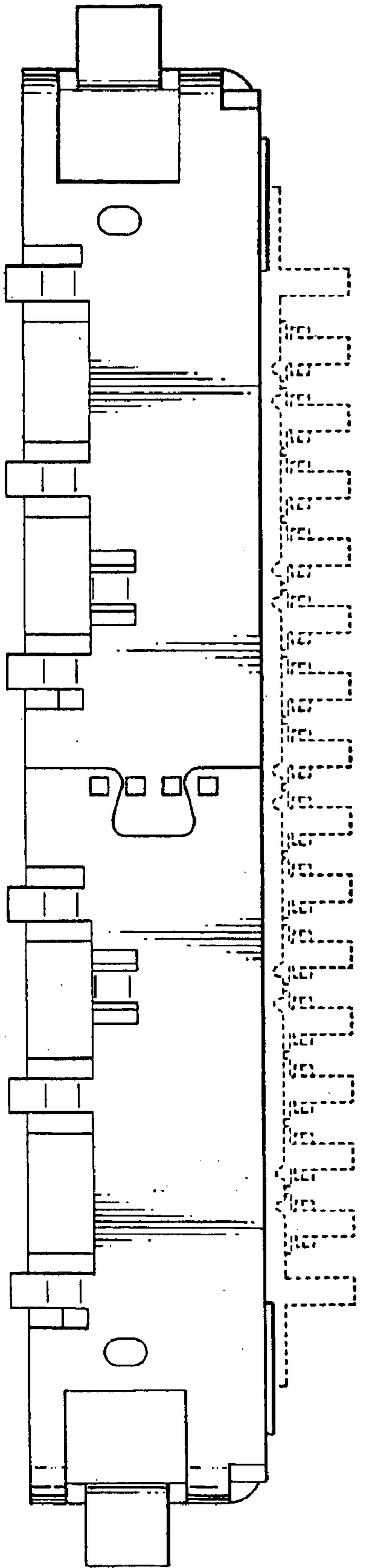


FIG. 3

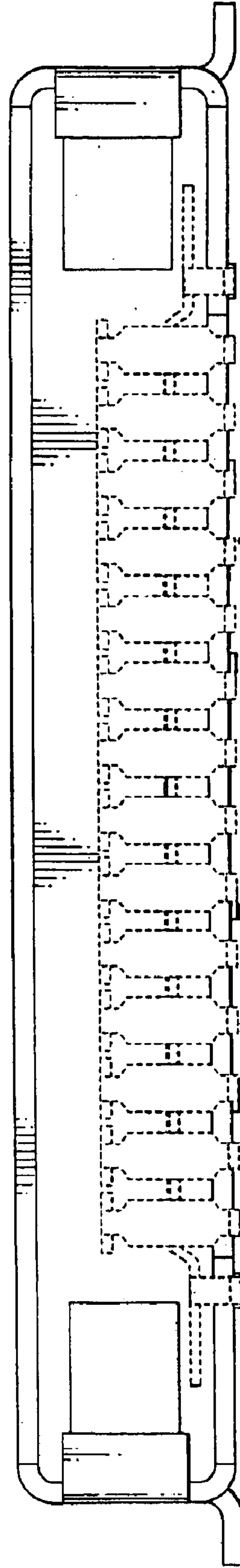


FIG. 4

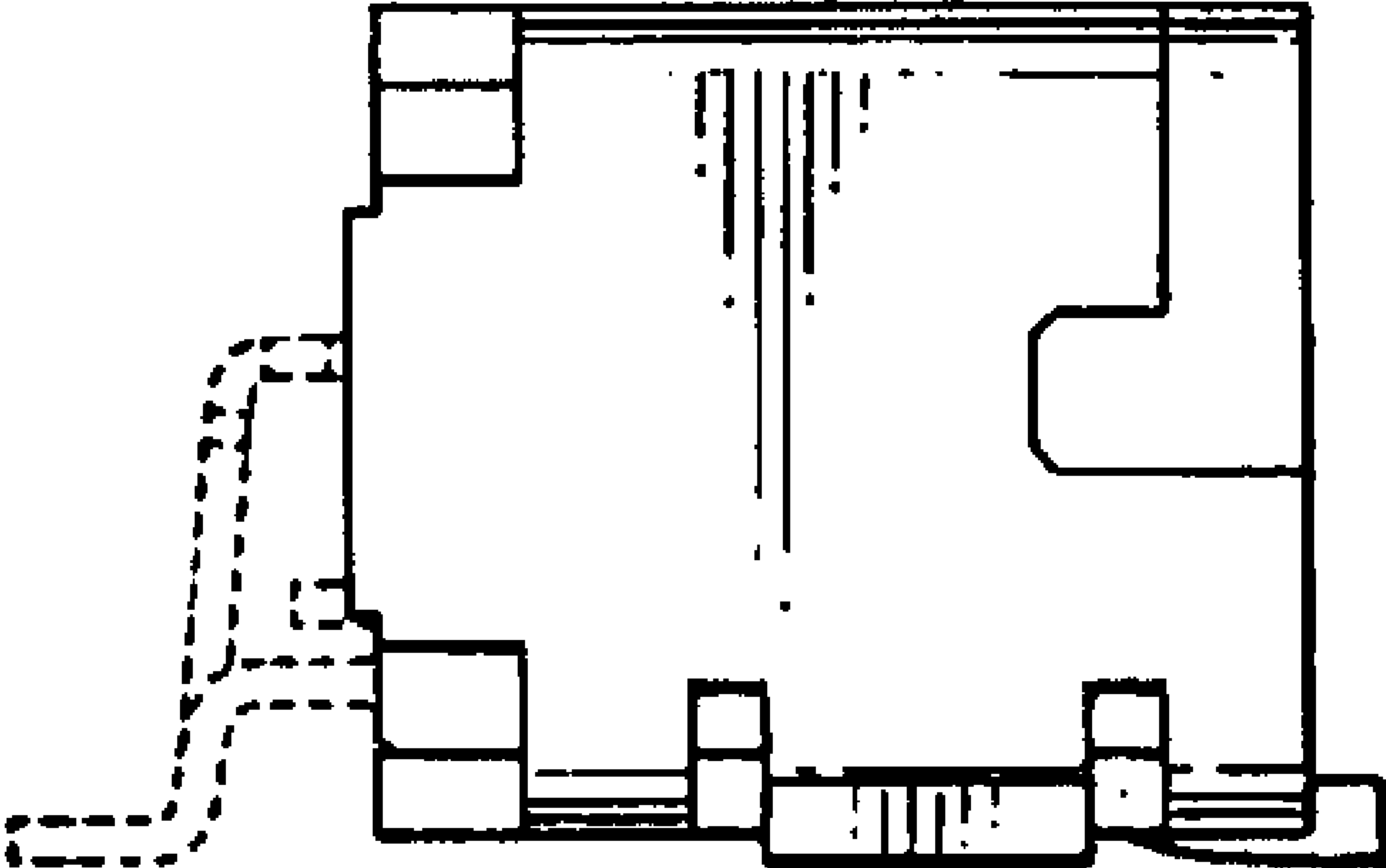


FIG. 5

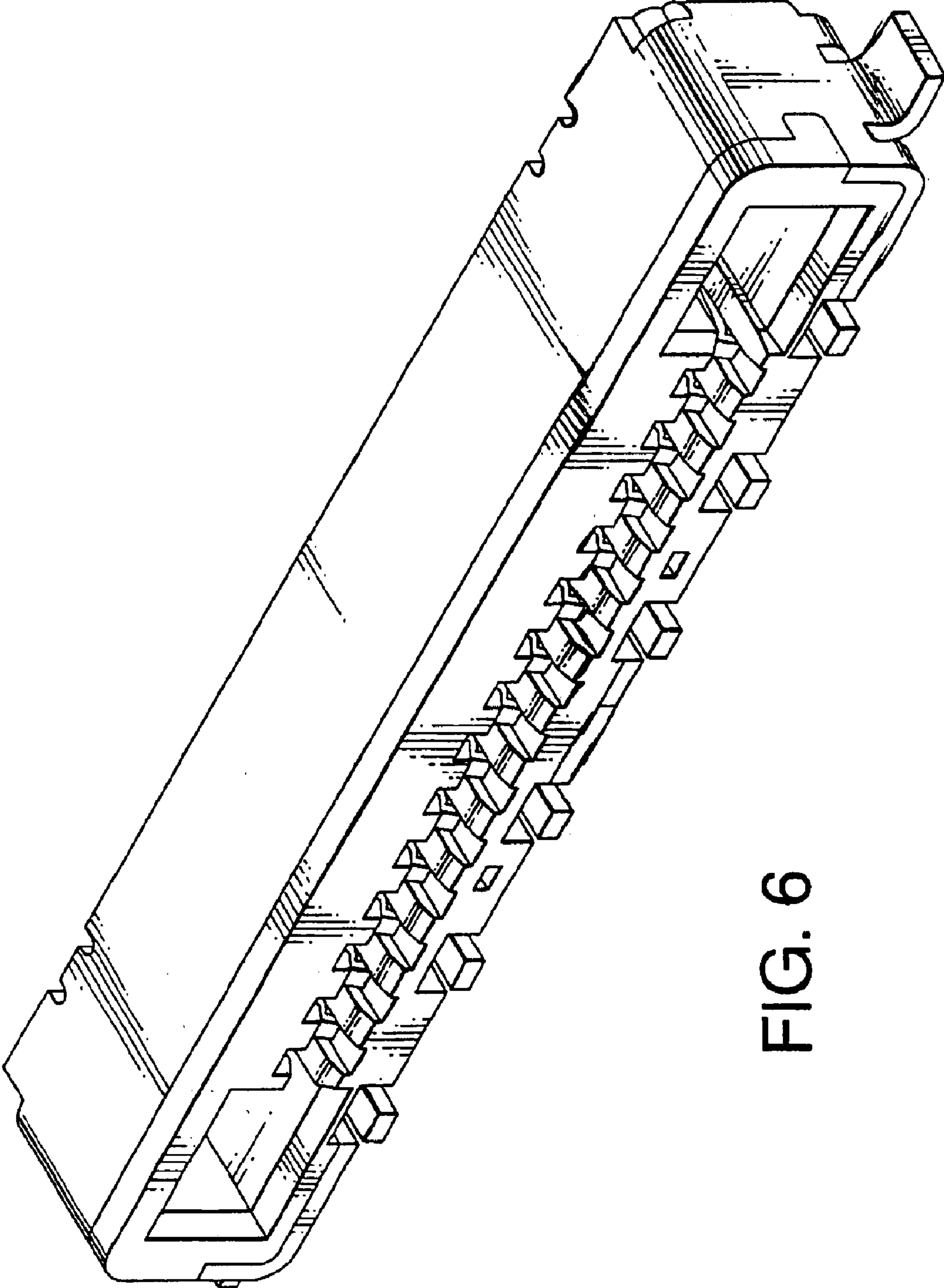


FIG. 6