



US00D502918S

(12) **United States Design Patent**  
**Sekiguchi**

(10) **Patent No.:** **US D502,918 S**  
(45) **Date of Patent:** **\*\* Mar. 15, 2005**

(54) **CONNECTOR**

6,066,004 A \* 5/2000 Shen ..... 439/617

(75) Inventor: **Toru Sekiguchi**, Yamanashi (JP)

\* cited by examiner

(73) Assignee: **Citizen Electronics Co., Ltd.**,  
Yamanashi (JP)

*Primary Examiner*—Stella Reid  
*Assistant Examiner*—Daniel Bui  
(74) *Attorney, Agent, or Firm*—Browdy and Neimark,  
P.L.L.C.

(\*\*) Term: **14 Years**

(21) Appl. No.: **29/183,615**

(57) **CLAIM**

(22) Filed: **Jun. 16, 2003**

The ornamental design for a connector, as shown and described.

(30) **Foreign Application Priority Data**

**DESCRIPTION**

Dec. 16, 2002 (JP) ..... 2002-034807

(51) **LOC (7) Cl.** ..... **13-03**

(52) **U.S. Cl.** ..... **D13/133**

(58) **Field of Search** ..... D13/133, 137.1,  
D13/138.1, 139.1, 144, 154; 439/668, 669,  
692

FIG. 1 is a perspective view of a connector, showing my new design;

FIG. 2 is a front elevation view thereof. It is understood that the back elevation view is identical;

FIG. 3 is a top plan view thereof;

FIG. 4 is a right side elevation view thereof. It is understood that the left side elevation view is identical;

FIG. 5 is a bottom plan view thereof;

FIG. 6 is a perspective view thereof in the arrangement of three connectors; and,

FIG. 7 is another perspective view thereof in the arrangement of six connectors.

The broken line showing of the environment is for illustrative purposes only and forms no part of the claimed design.

(56) **References Cited**

**U.S. PATENT DOCUMENTS**

D137,705 S \* 4/1944 Drury ..... D13/133  
4,134,641 A \* 1/1979 Kao et al. .... 385/70  
4,219,172 A \* 8/1980 Murayama ..... 248/27.3  
4,419,722 A \* 12/1983 Bury ..... 362/396  
D298,122 S \* 10/1988 Cronstrom et al. .... D13/180  
5,502,784 A \* 3/1996 Rondeau ..... 385/66

**1 Claim, 7 Drawing Sheets**

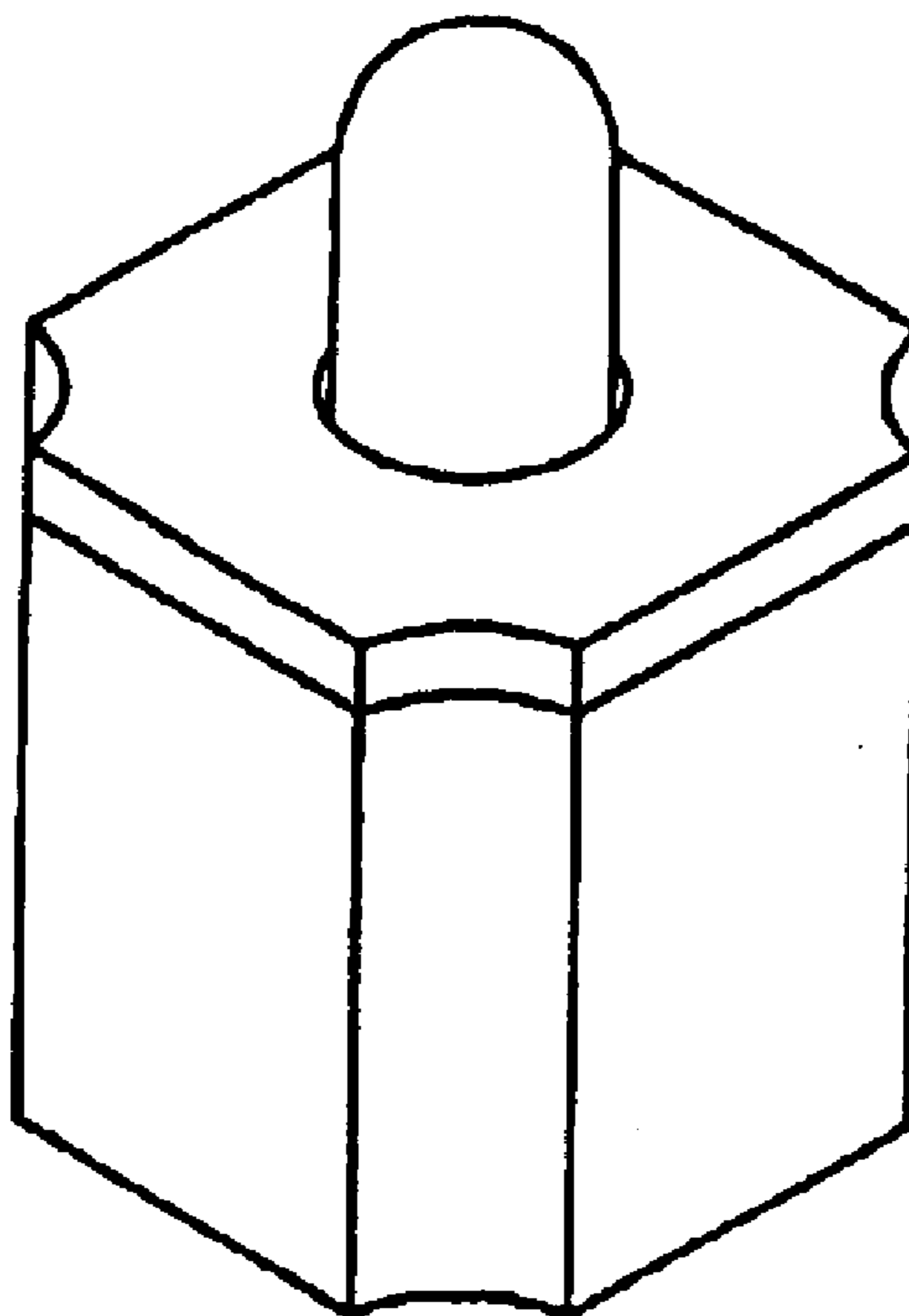
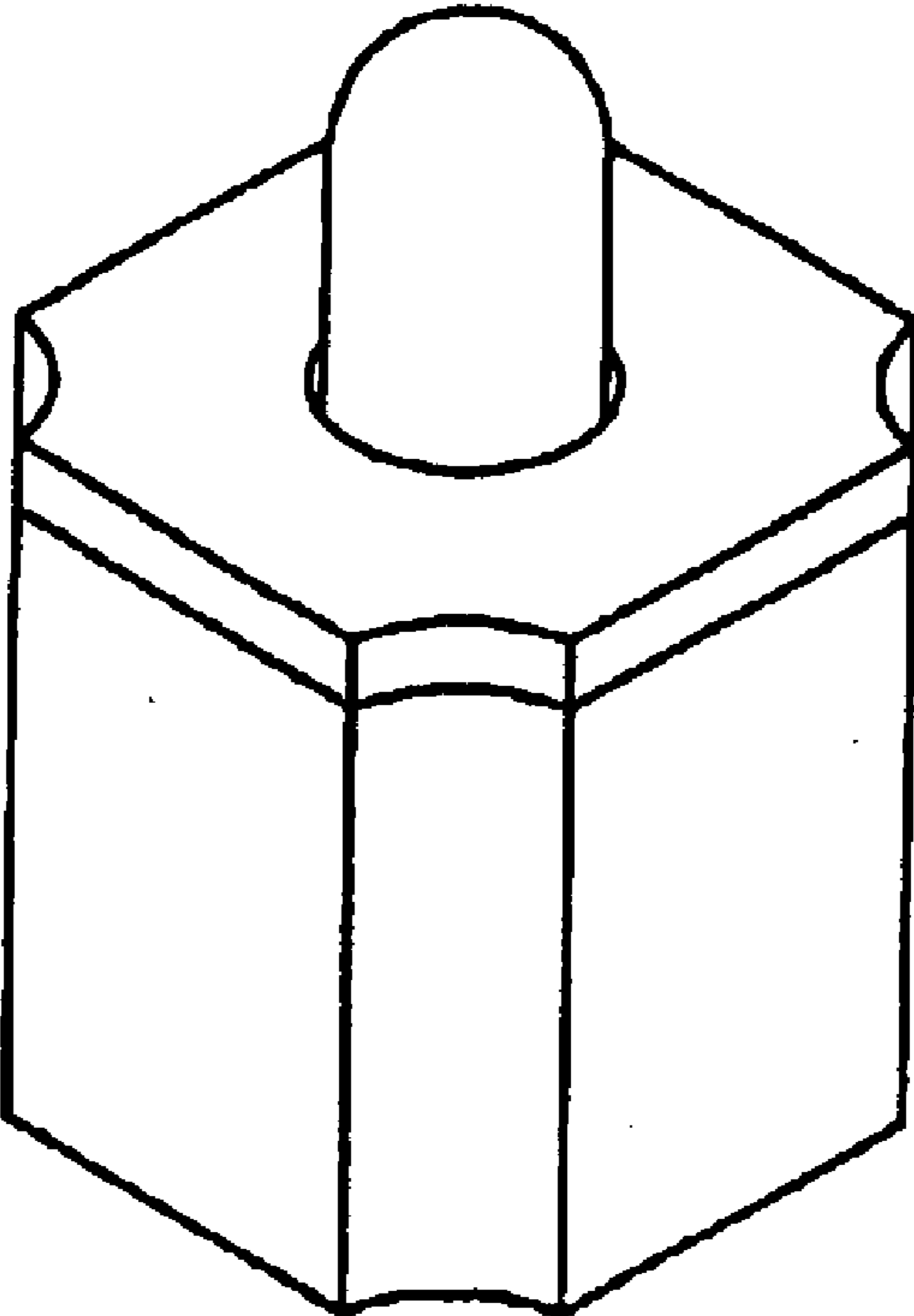
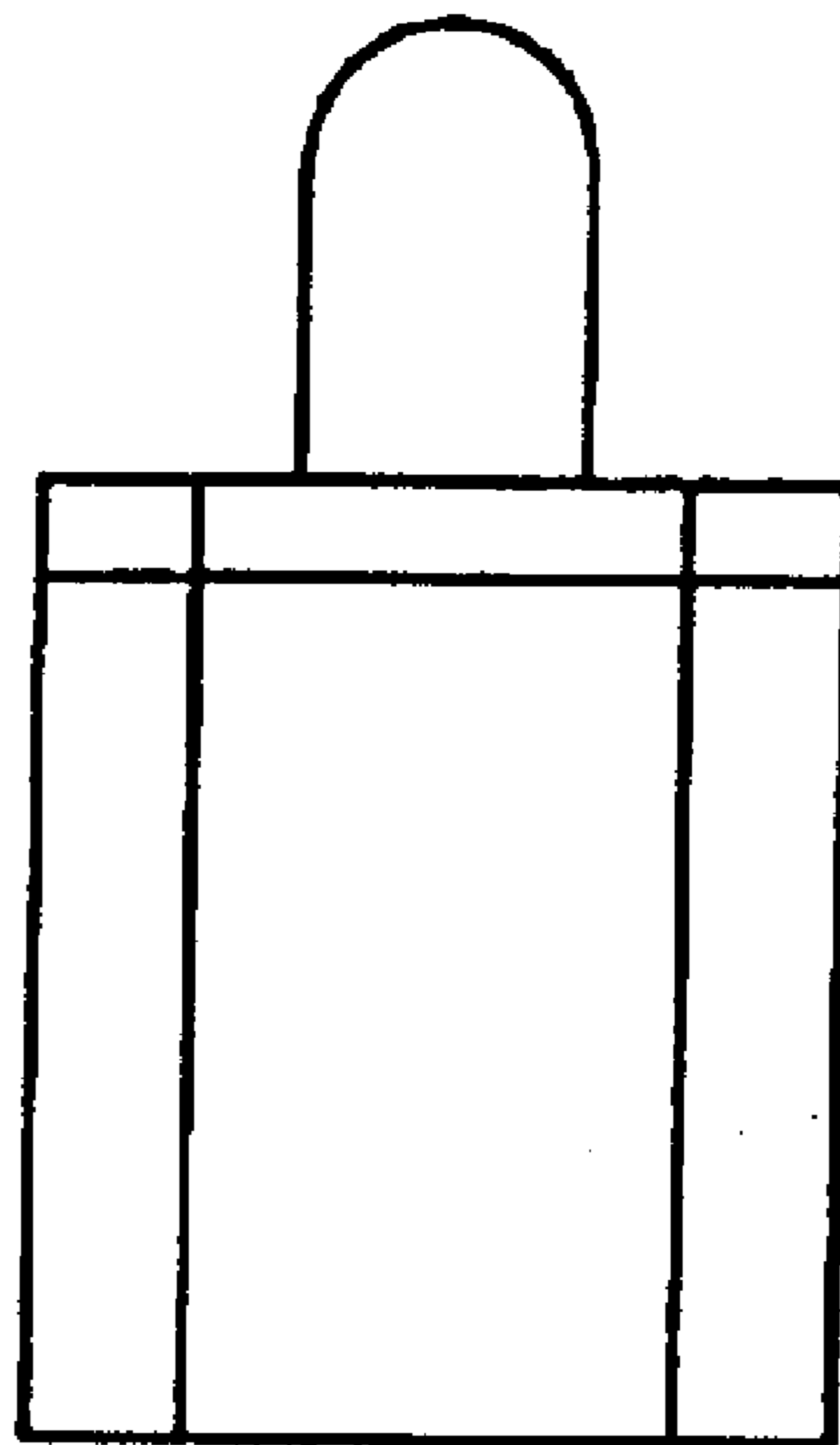


Fig. 1



# Fig. 2



# Fig. 3

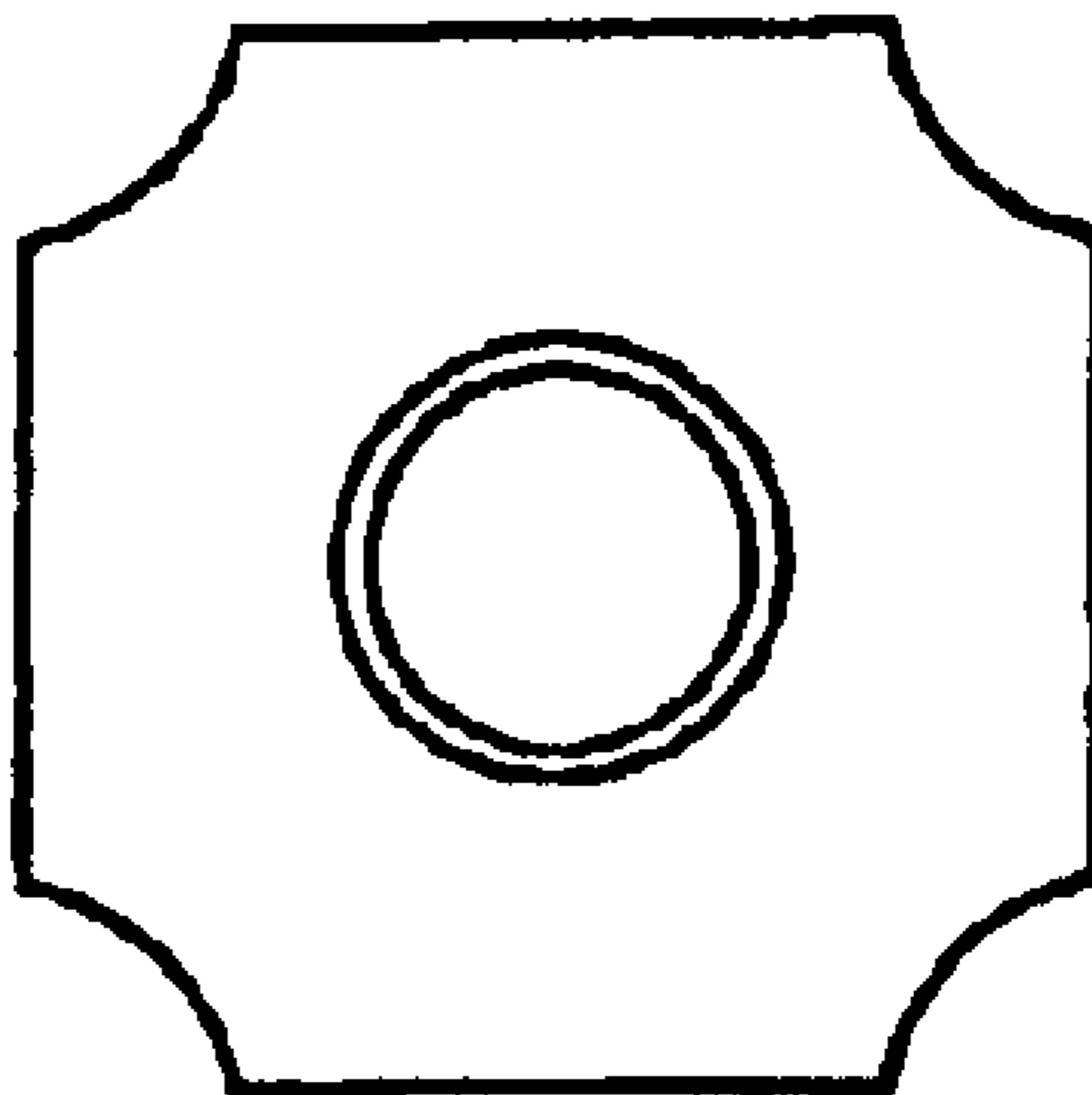


Fig. 4

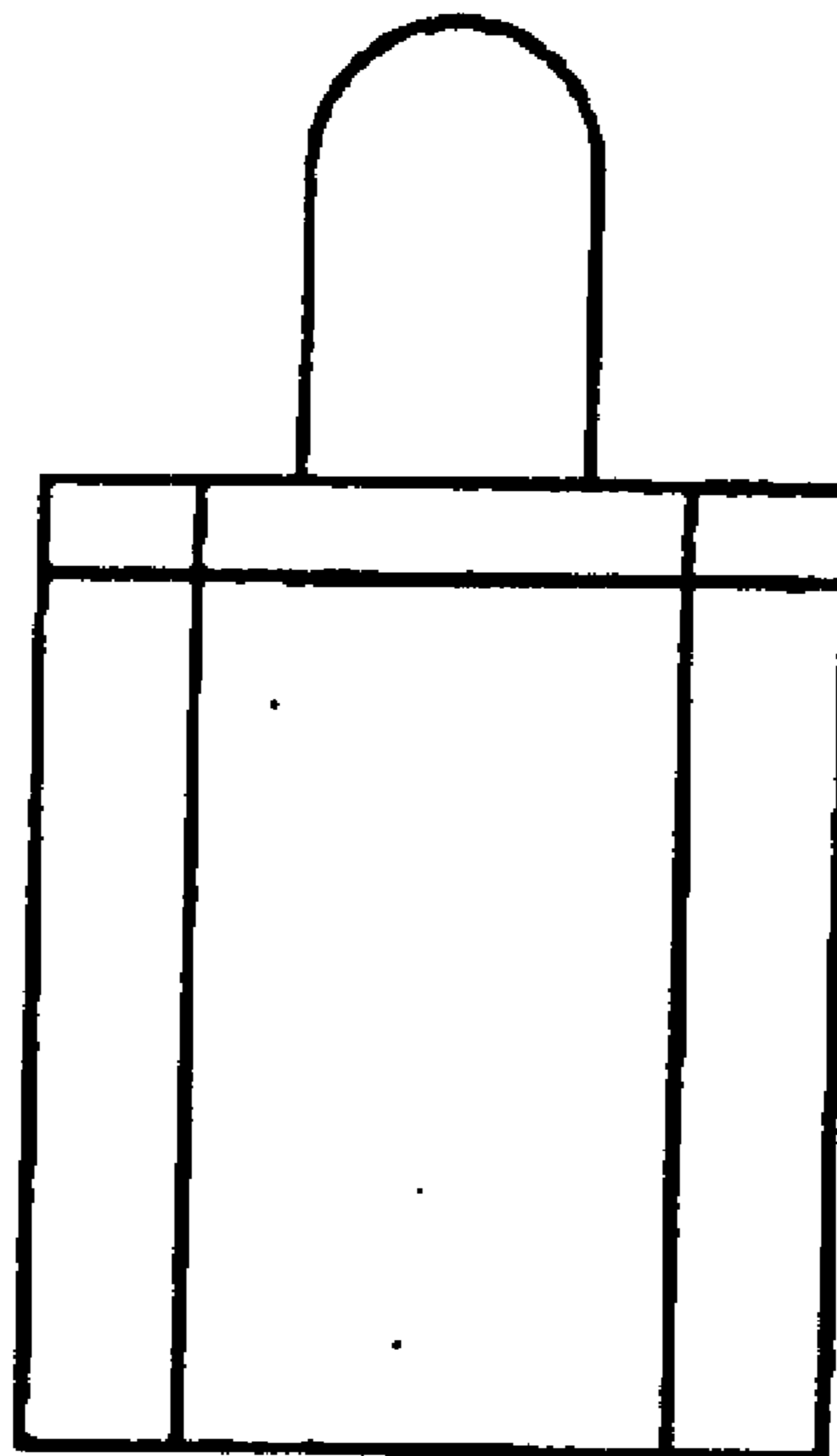


Fig. 5

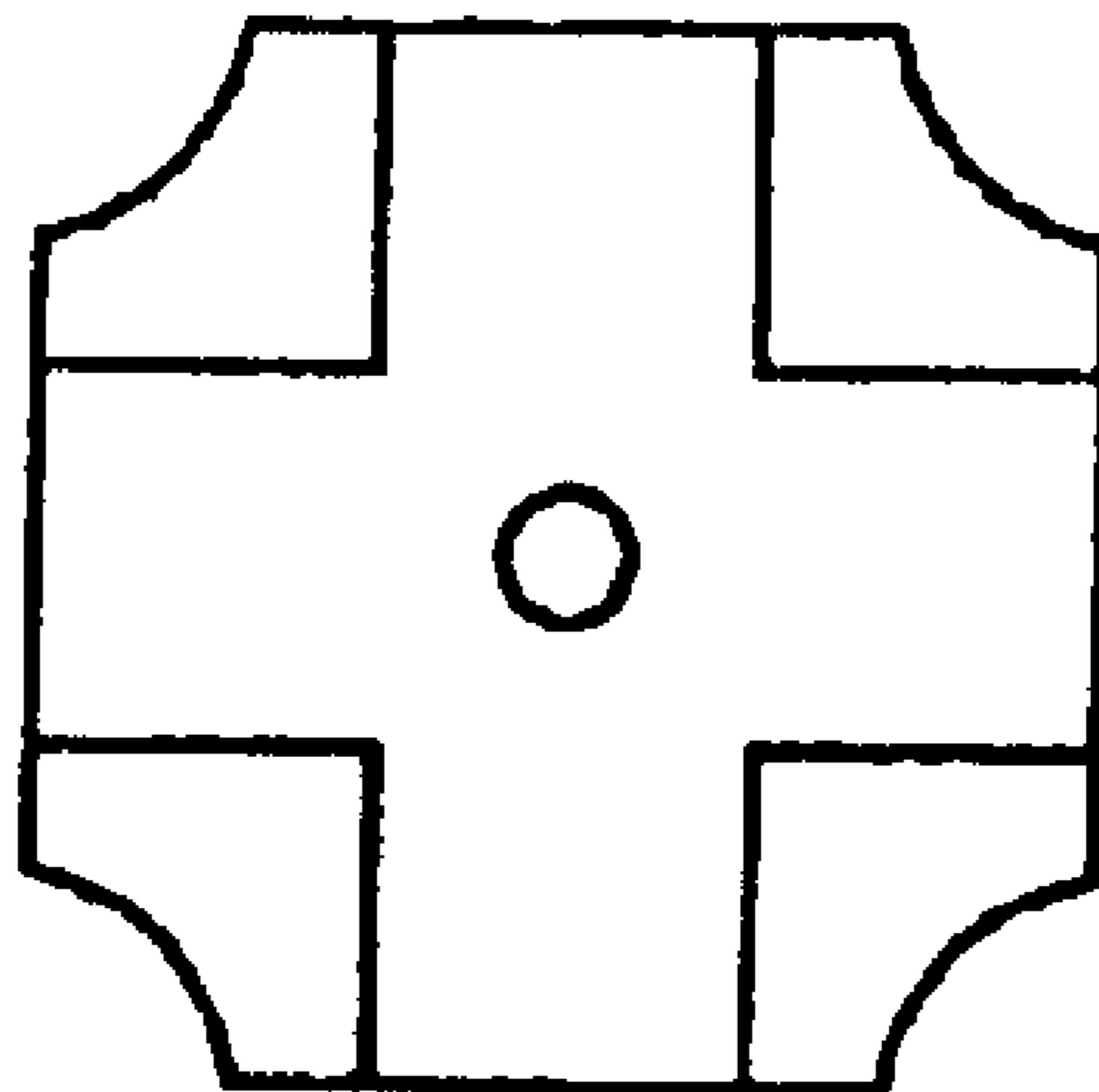


Fig. 6

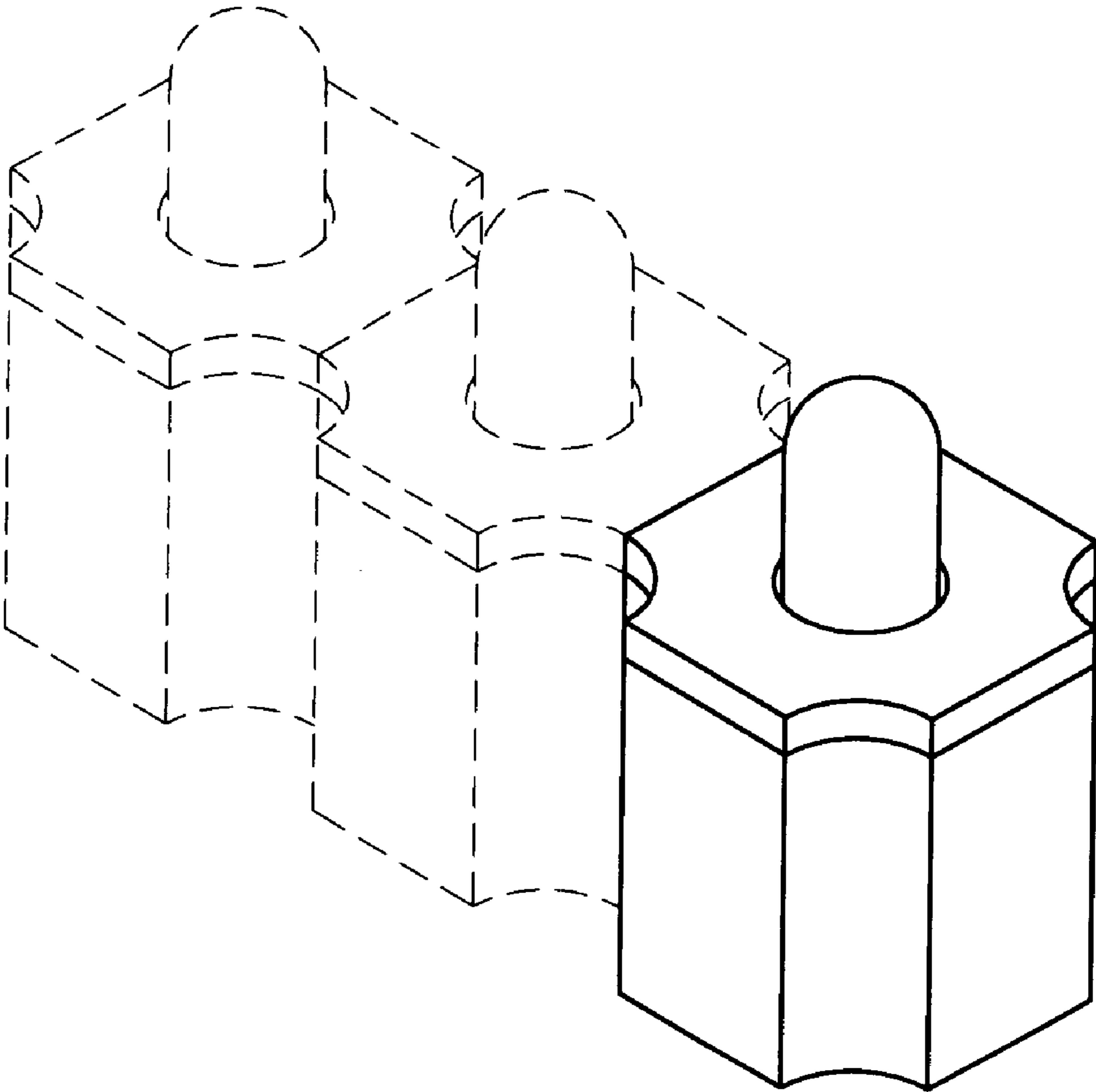


Fig. 7

