

US00D502917S

(12) **United States Design Patent**  
**Bird et al.**

(10) **Patent No.:** **US D502,917 S**  
(45) **Date of Patent:** **\*\* Mar. 15, 2005**

(54) **MOTOR**

(75) Inventors: **Gregory Michael Bird**, Colliersville,  
TN (US); **Masao Tsuji**, Mesa, AZ (US)

(73) Assignee: **Hunter Fan Company**, Memphis, TN  
(US)

(\*\*) Term: **14 Years**

(21) Appl. No.: **29/183,379**

(22) Filed: **Jun. 9, 2003**

(51) **LOC (7) Cl.** ..... **13-01**

(52) **U.S. Cl.** ..... **D13/114; D13/112**

(58) **Field of Search** ..... D13/114, 112,  
D13/122, 184, 199; D23/377, 379, 385,  
411; 310/42-43, 89; 362/216

(56) **References Cited**

**U.S. PATENT DOCUMENTS**

3,283,190	A	*	11/1966	Applegate	.....	310/162
4,584,496	A	*	4/1986	Frister	.....	310/60 R
D294,141	S	*	2/1988	Ueda et al.	.....	D13/112
D384,033	S	*	9/1997	Takeda et al.	.....	D13/114
D401,553	S		11/1998	Pearce et al.	.....	D13/112

D401,687	S		11/1998	Pearce et al.	.....	D23/411
D409,564	S	*	5/1999	Koshida	.....	D13/112
D422,352	S	*	4/2000	Gee, II	.....	D23/411
D448,841	S		10/2001	Campbell	.....	D23/411
D472,880	S	*	4/2003	Clements et al.	.....	D13/154
D480,470	S	*	10/2003	Tsuji	.....	D23/411
D480,801	S	*	10/2003	Humphrey	.....	D23/411
6,750,578	B2	*	6/2004	Buening et al.	.....	310/89

\* cited by examiner

*Primary Examiner*—Stella Reid

*Assistant Examiner*—Daniel Bui

(74) *Attorney, Agent, or Firm*—Baker Donelson

(57) **CLAIM**

The ornamental design for a motor, as shown and described.

**DESCRIPTION**

FIG. 1 is a perspective view of a motor showing my new design.

FIG. 2 is a bottom plan view thereof.

FIG. 3 is a top plan view thereof; and,

FIG. 4 is a front elevation view thereof, the rear elevation view, right side elevation view and left side elevation view being the same thereof.

**1 Claim, 2 Drawing Sheets**

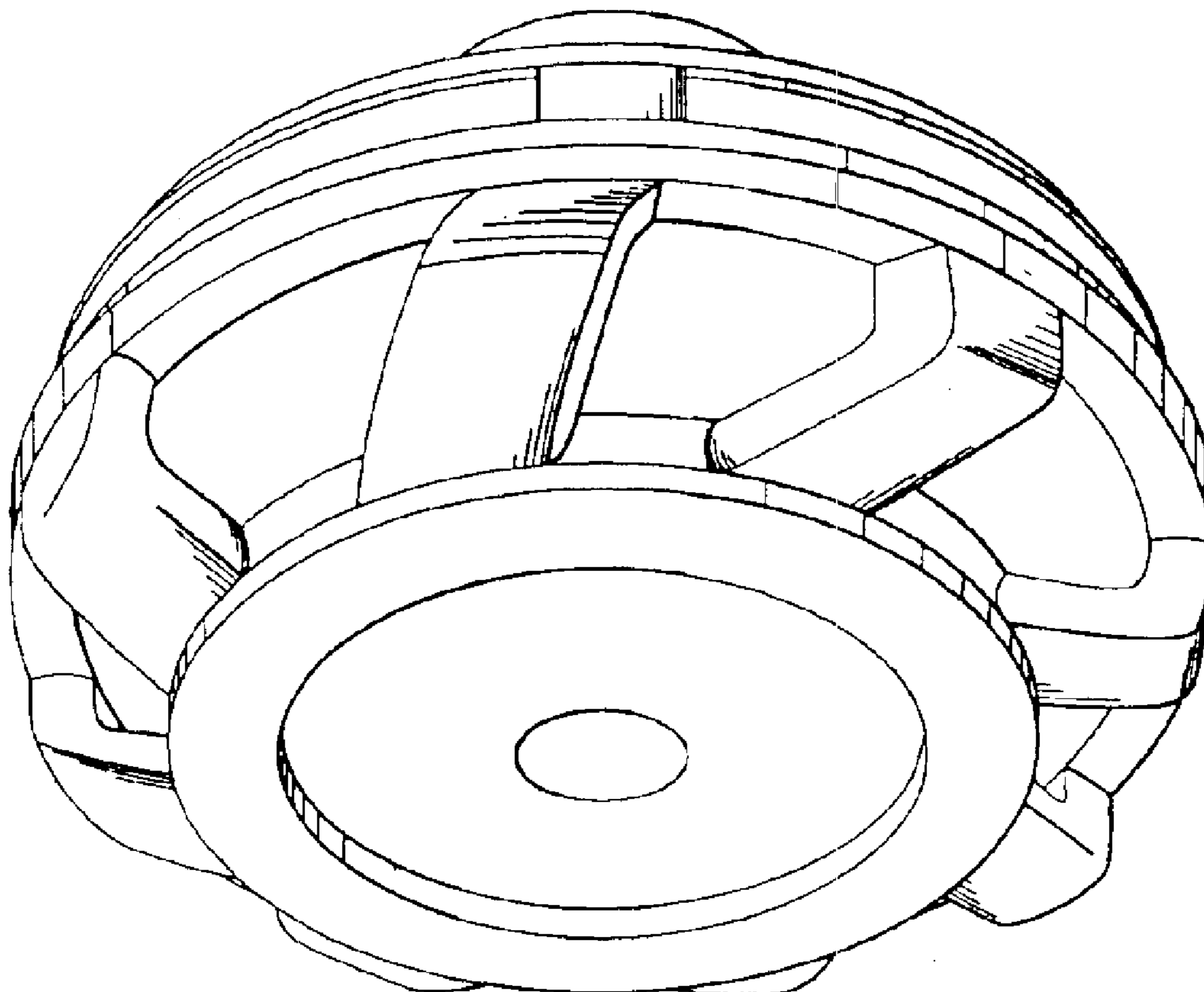


Fig. 1

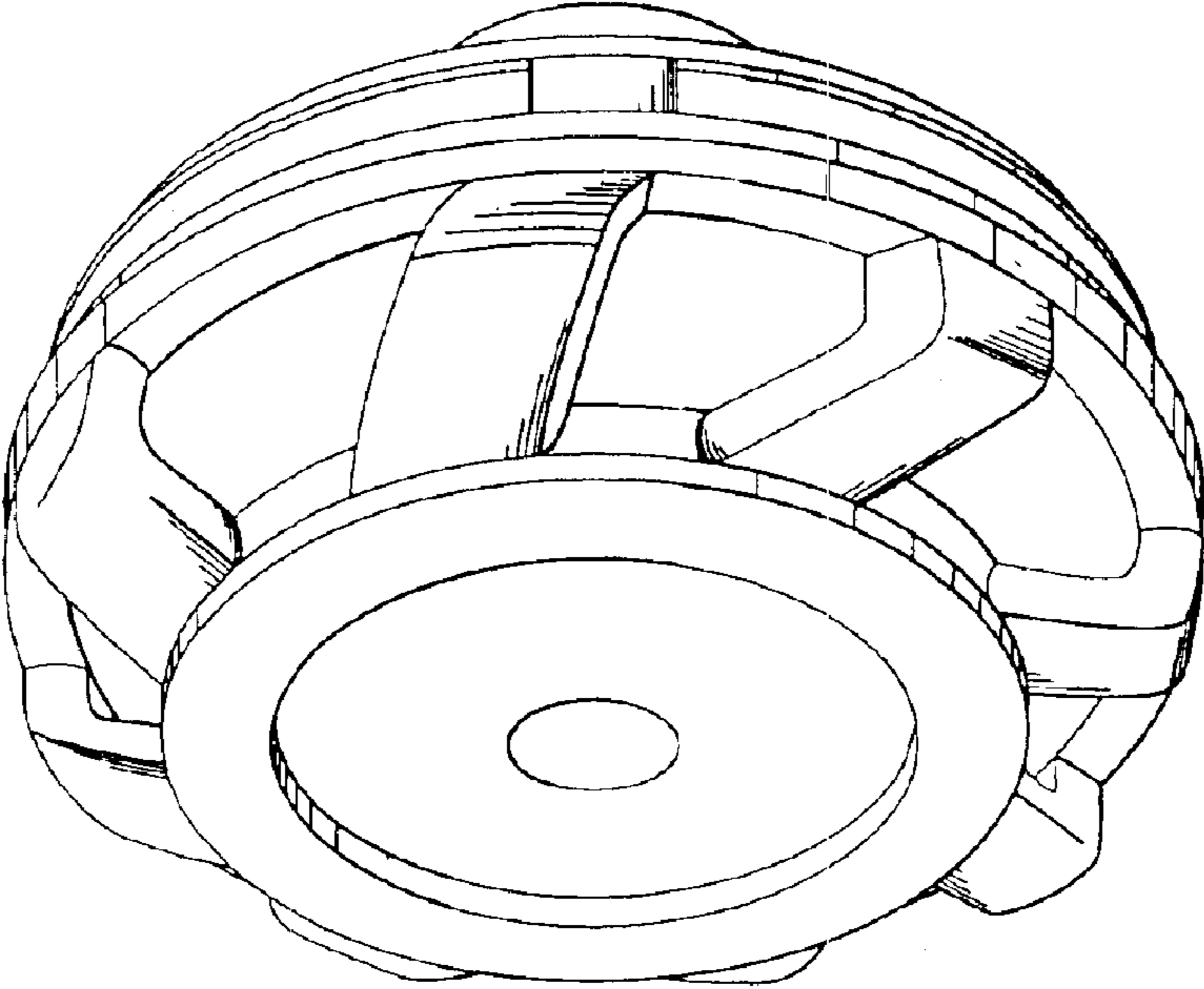


Fig. 2

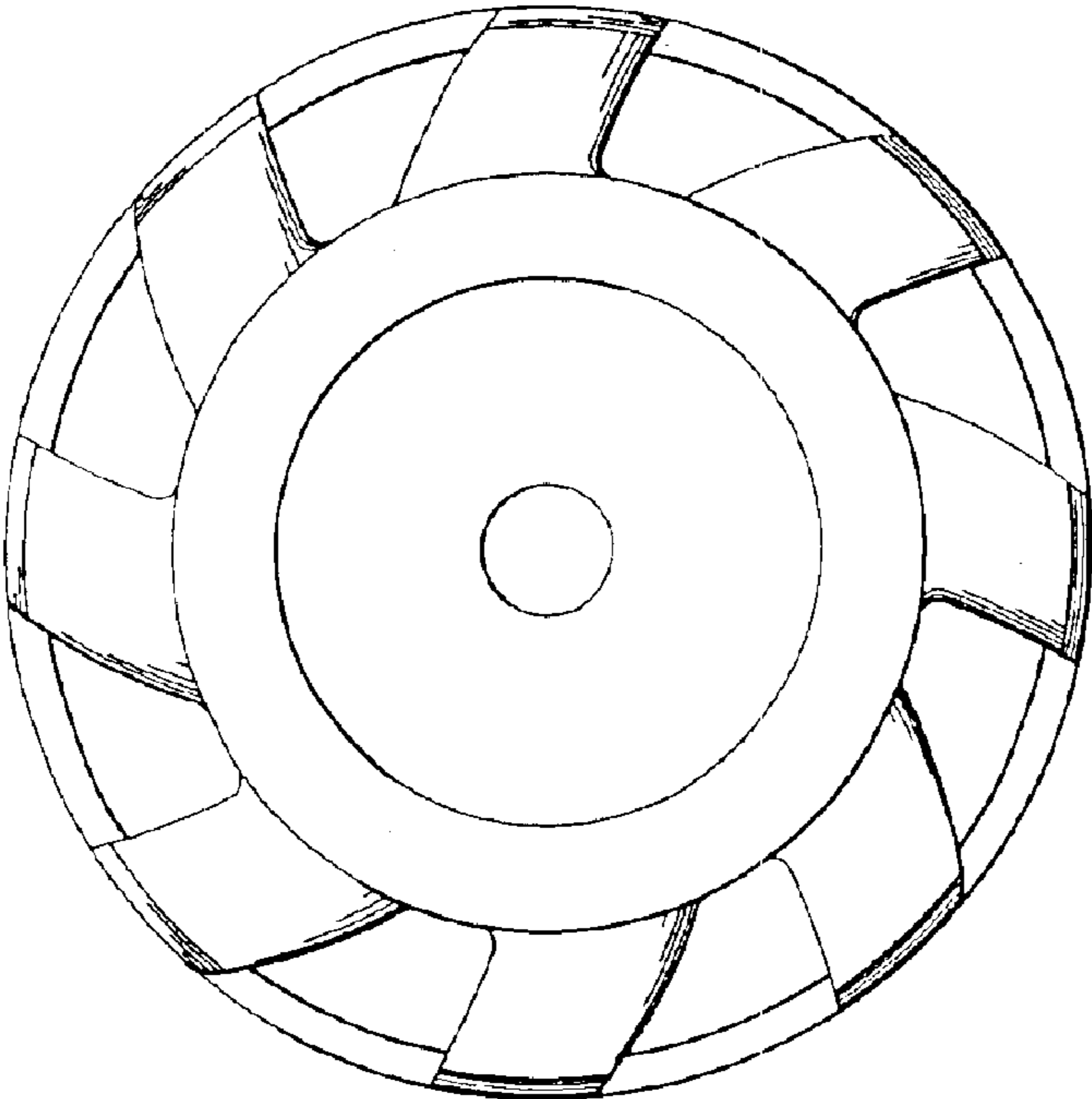


Fig. 3

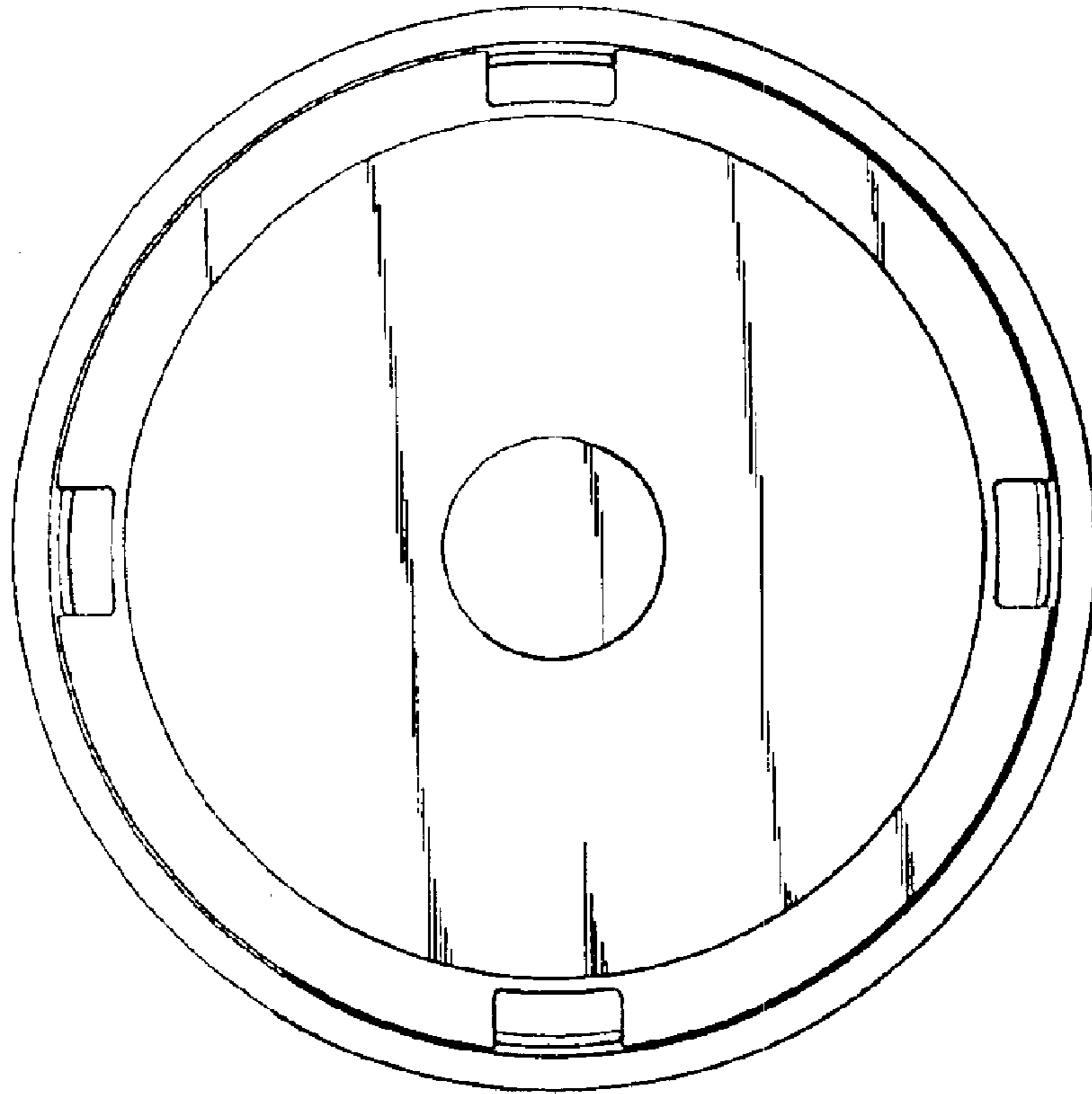


Fig. 4

