

US00D502910S

(12) **United States Design Patent**
Klopp, III et al.

(10) **Patent No.: US D502,910 S**
(45) **Date of Patent: ** Mar. 15, 2005**

(54) **VEHICLE CENTER CONSOLE**
(75) Inventors: **John A. Klopp, III**, Hermosa Beach,
CA (US); **Jean-Paul Schowalter**, Long
Beach, CA (US)
(73) Assignee: **Honda Motor Co., Ltd.**, Tokyo (JP)
(**) Term: **14 Years**

D314,539 S * 2/1991 Swanner D12/421
D345,648 S * 4/1994 Favilla D12/421
D358,124 S * 5/1995 Landry D12/423
D395,033 S * 6/1998 Jackson D12/421
D411,980 S * 7/1999 Sacco et al. D12/425
D430,104 S * 8/2000 McDonald D12/419
D459,288 S * 6/2002 Tsay D12/415
D473,509 S * 4/2003 Pfeiffer et al. D12/415

* cited by examiner

(21) Appl. No.: **29/195,246**
(22) Filed: **Dec. 10, 2003**

Primary Examiner—Stacia Cadmus
(74) *Attorney, Agent, or Firm*—Plumsea Law Group, LLC

(51) **LOC (7) Cl.** **12-16**
(52) **U.S. Cl.** **D12/421**
(58) **Field of Search** D12/415, 416,
D12/423-426; 296/37.1, 37.6, 37.8, 37.13-37.16;
224/275-276, 42.11, 926, 539-543; 280/750-752,
770, 762; 297/411.26, 411.23

(57) **CLAIM**

The ornamental design for a vehicle center console, as shown and described.

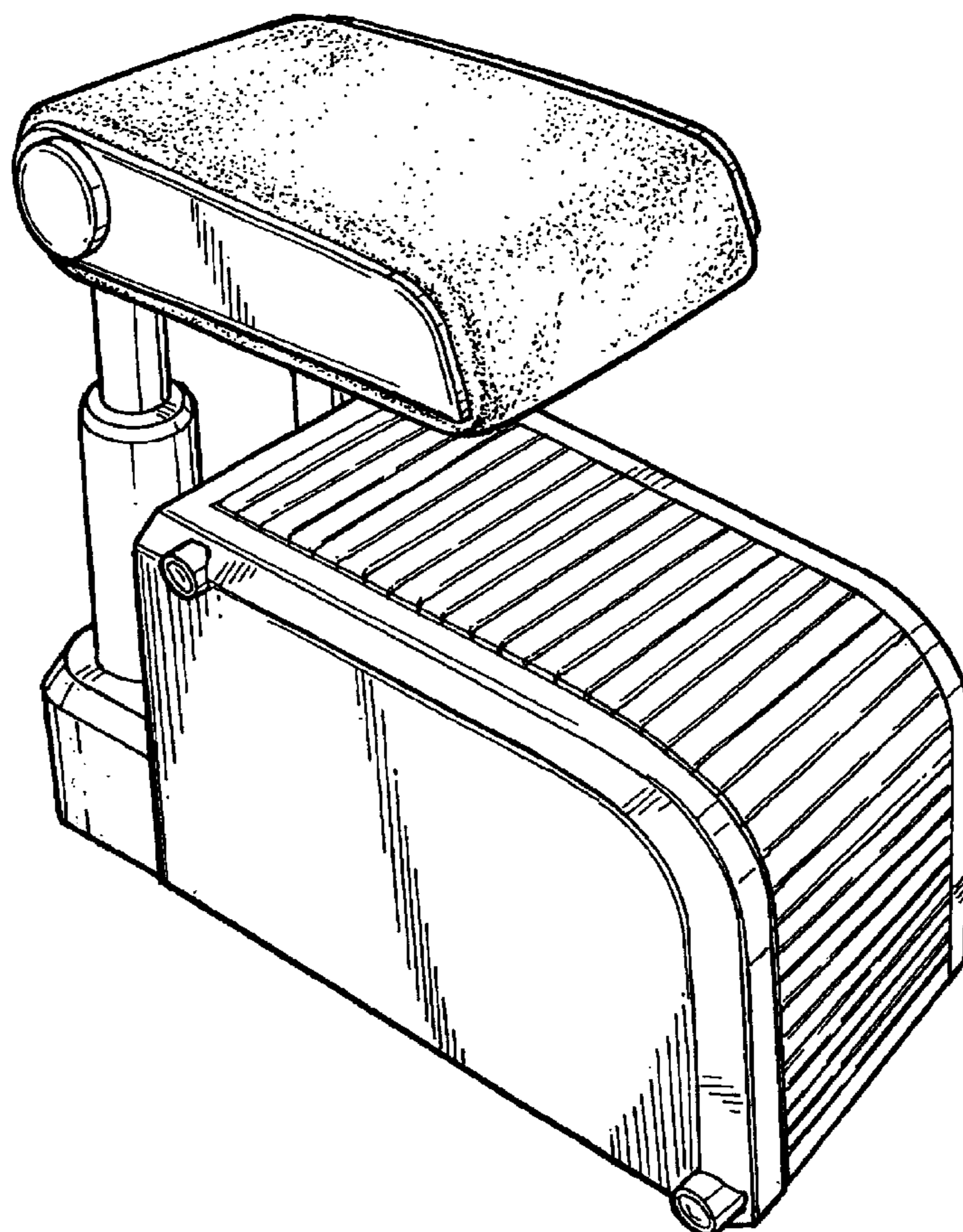
DESCRIPTION

FIG. 1 is a perspective view of a vehicle center console showing our new design; FIG. 2 is a rear perspective view thereof; and, FIG. 3 is a side elevational view thereof, the opposite side being a mirror image. FIGS. 2 and 3 are shown on an enlarged scale as compared to FIG. 1.

(56) **References Cited**
U.S. PATENT DOCUMENTS

2,524,659 A * 10/1950 Gorman D12/421
D191,356 S * 9/1961 Krone D12/421
D207,902 S * 6/1967 Bray D12/421
D212,403 S * 10/1968 Di Vona D12/421
D235,082 S * 5/1975 Weaver D12/421

1 Claim, 2 Drawing Sheets



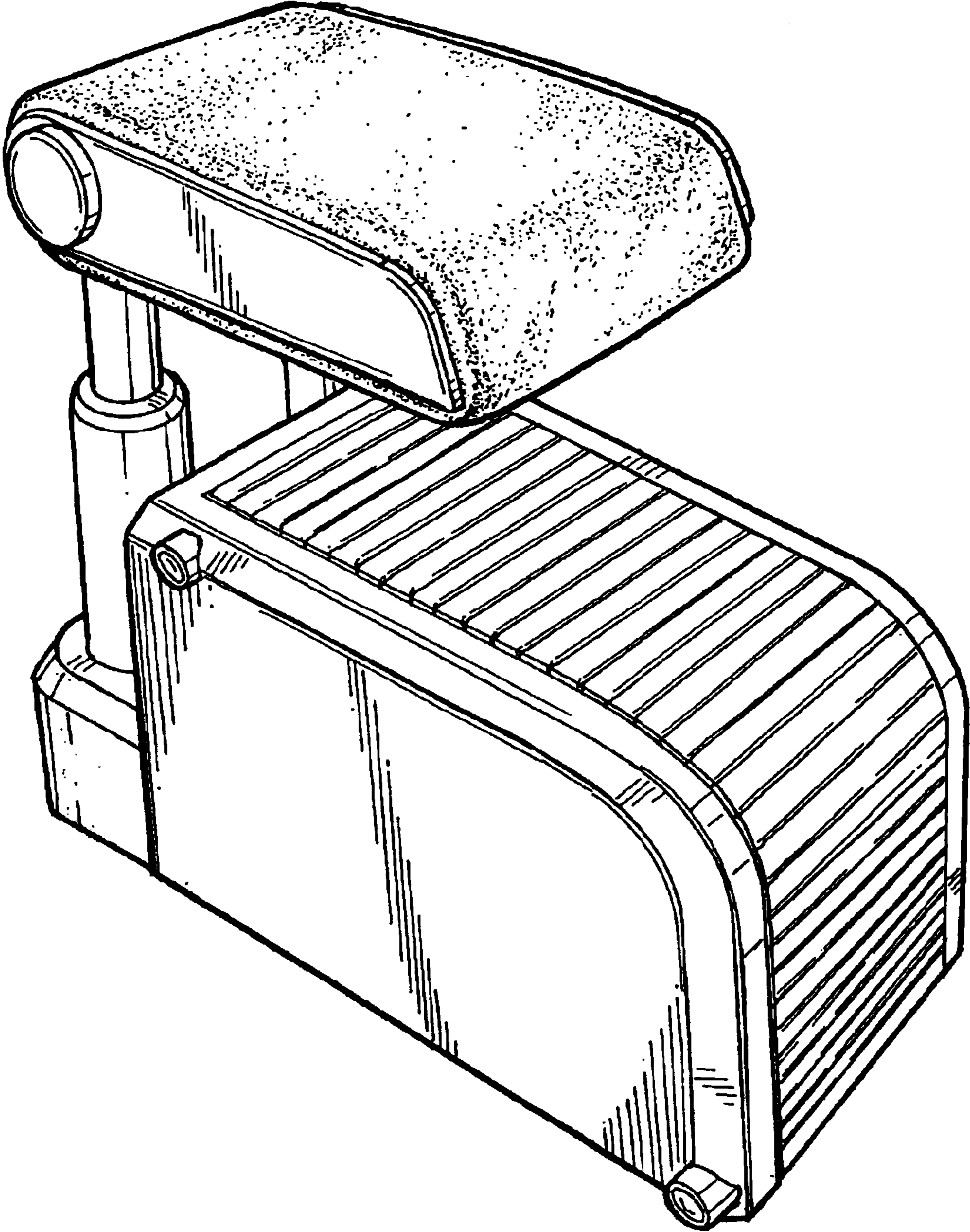


FIG. 1

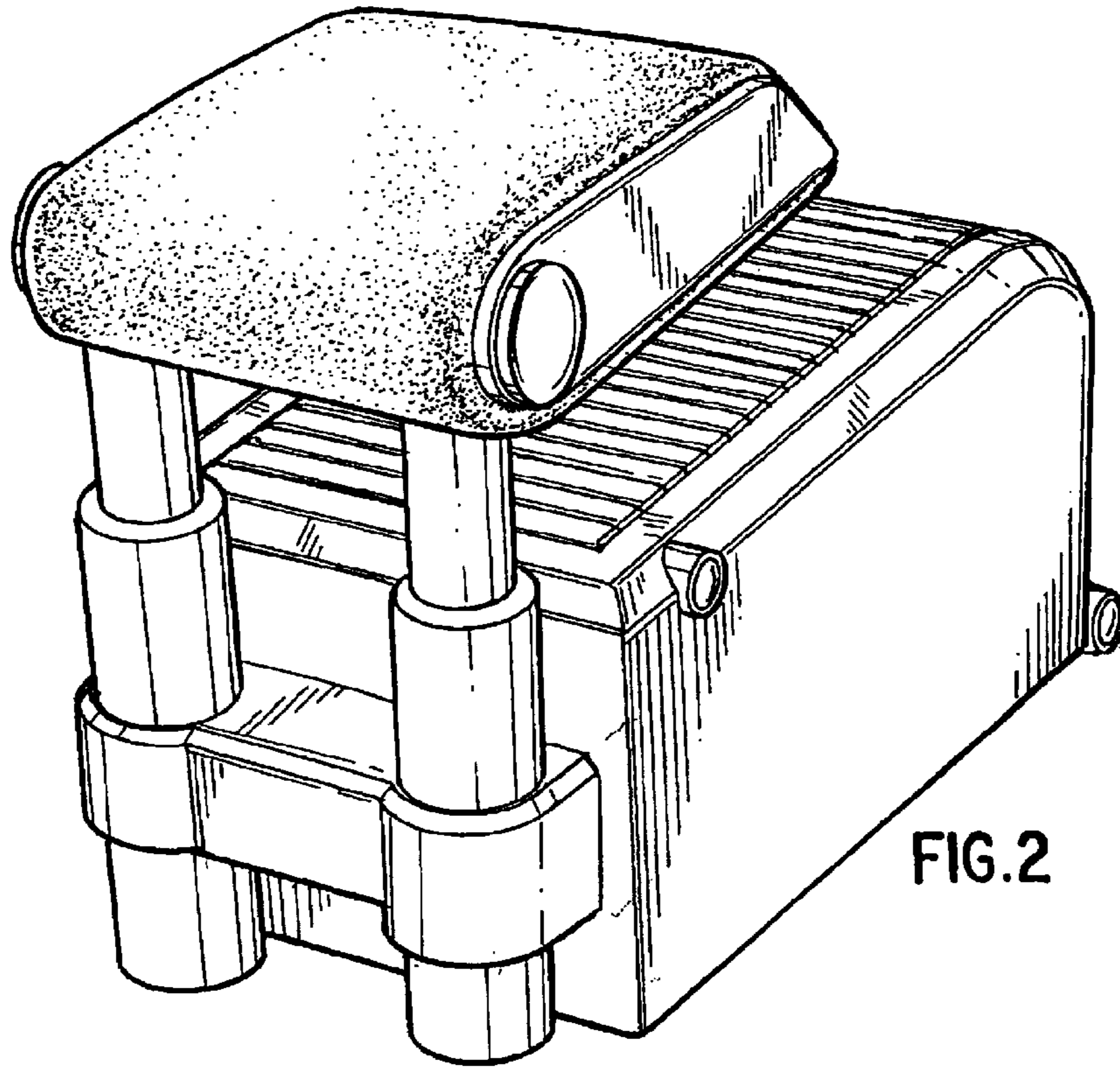


FIG. 2

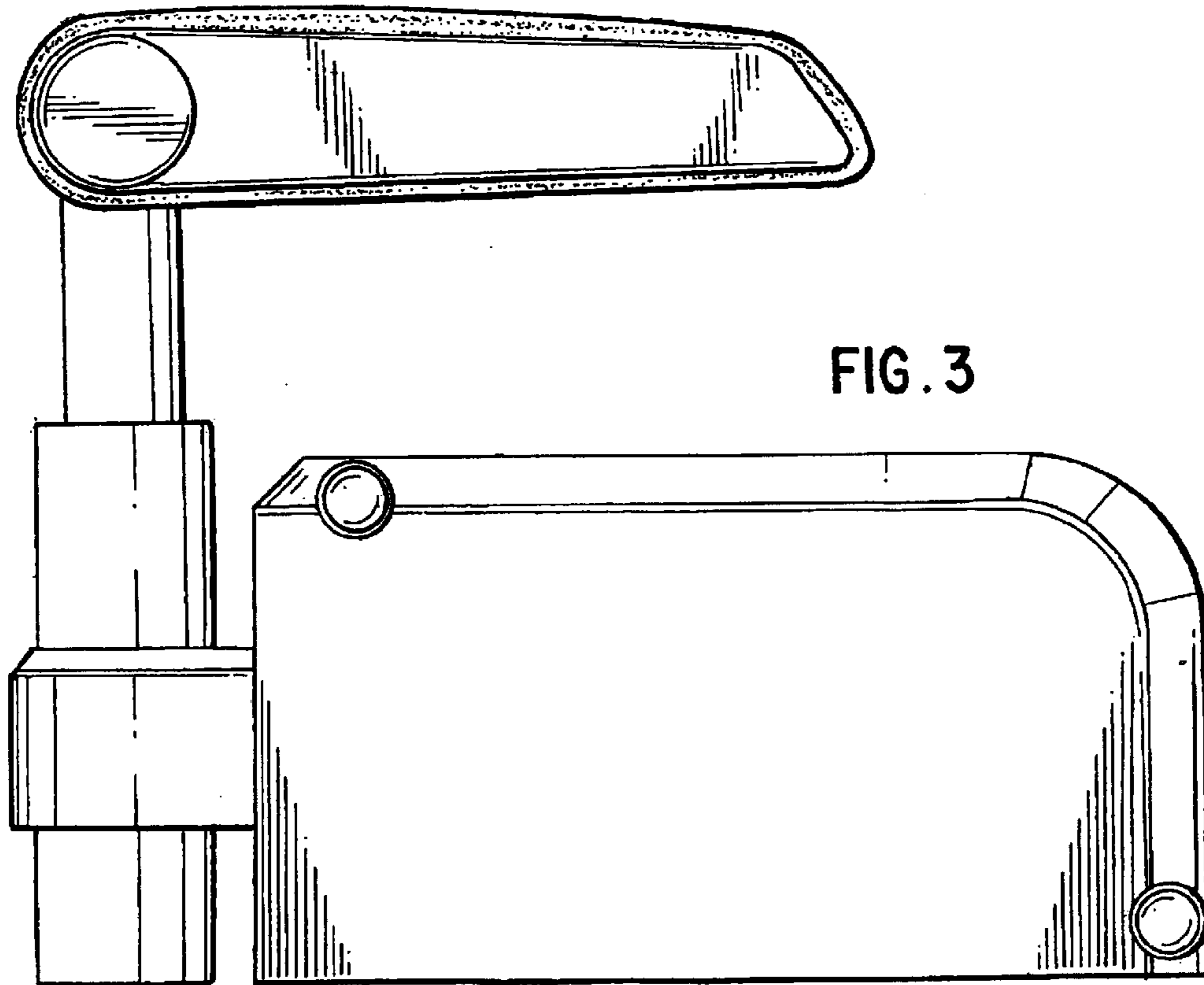


FIG. 3