

US00D502904S

(12) **United States Design Patent** (10) **Patent No.:** **US D502,904 S**
Delashaw et al. (45) **Date of Patent:** **** Mar. 15, 2005**

(54) **QUARTER FENDER FOR A TRUCK VEHICLE**

(75) Inventors: **Bryan W. Delashaw**, Frisco, TX (US);
Louis D. Heilaneh, Lewisville, TX (US)

(73) Assignee: **Paccar Inc**, Bellevue, WA (US)

(**) Term: **14 Years**

(21) Appl. No.: **29/198,585**

(22) Filed: **Jan. 30, 2004**

(51) **LOC (7) Cl.** **12-16**

(52) **U.S. Cl.** **D12/184**

(58) **Field of Search** D12/184, 196,
D12/173, 93, 96, 14; 280/152.1, 153.1,
848

(56) **References Cited**

U.S. PATENT DOCUMENTS

D344,059 S	*	2/1994	DeBaal et al.	D12/184
D347,614 S	*	6/1994	DeBaal et al.	D12/184
D366,640 S	*	1/1996	Tucker et al.	D12/184
D382,844 S	*	8/1997	Norwood et al.	D12/184
D447,989 S	*	9/2001	Price	D12/184
D474,429 S	*	5/2003	Weber et al.	D12/184
D474,430 S	*	5/2003	Hill et al.	D12/184
D482,993 S	*	12/2003	Conway et al.	D12/184

* cited by examiner

Primary Examiner—Melody N. Brown
(74) *Attorney, Agent, or Firm*—Sidley Austin Brown & Wood LLP

(57) **CLAIM**

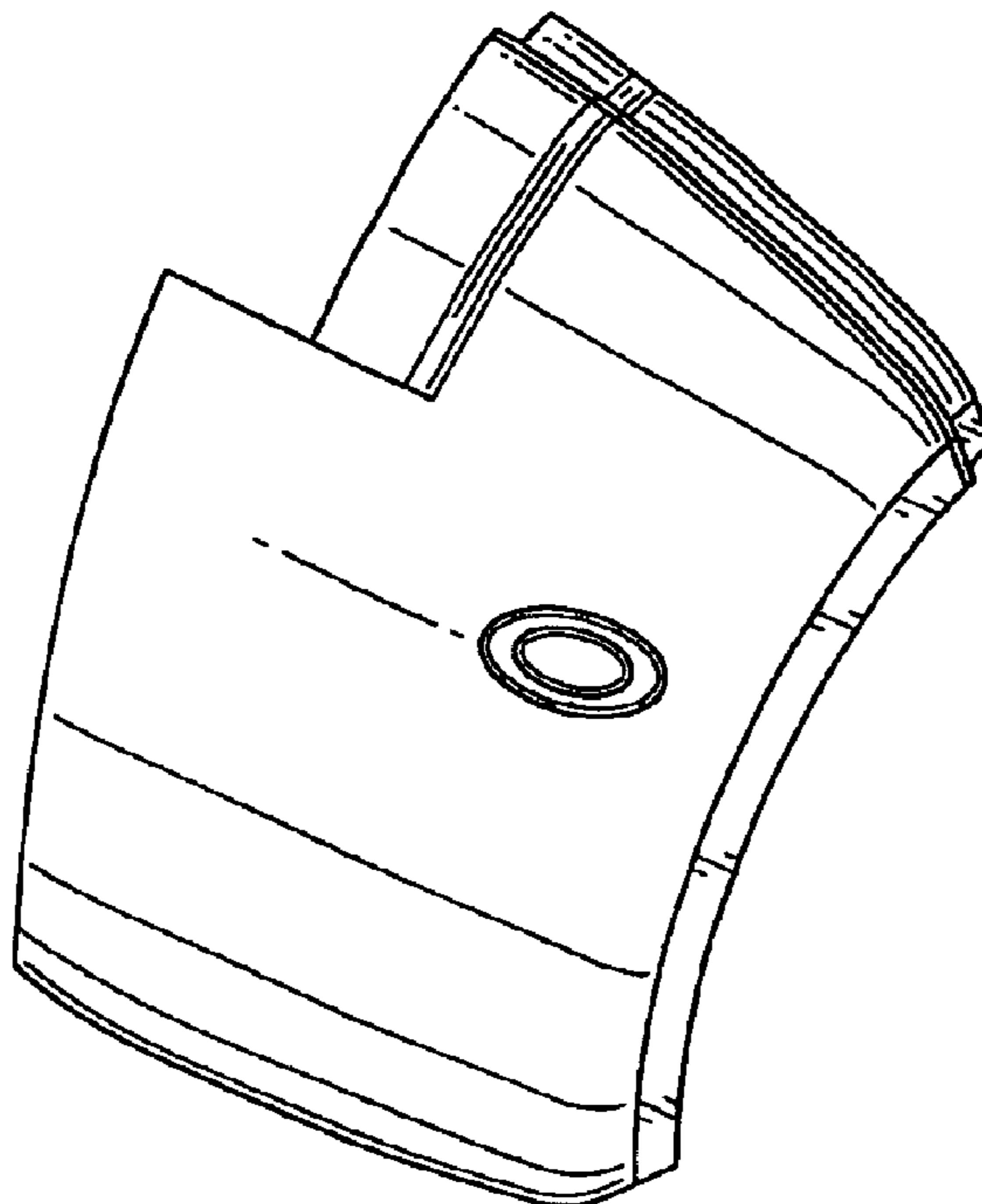
The ornamental design for a quarter fender for a truck vehicle, as shown and described.

DESCRIPTION

FIG. 1 is a perspective view of a first embodiment of a quarter fender for a truck vehicle;
FIG. 2 is a front view thereof;
FIG. 3 is a top view thereof;
FIG. 4 is a bottom view thereof;
FIG. 5 is a right side view thereof;
FIG. 6 is a left side view thereof;
FIG. 7 is a second perspective view thereof;
FIG. 8 is a perspective view of a second embodiment of a quarter fender for a truck vehicle;
FIG. 9 is a front view thereof;
FIG. 10 is a top view thereof;
FIG. 11 is a bottom view thereof;
FIG. 12 is a right side view thereof;
FIG. 13 is a left side view thereof; and,
FIG. 14 is a second perspective view thereof.

Parts shown in broken lines are for illustrative purposes only and form no part of the claimed design.

1 Claim, 8 Drawing Sheets



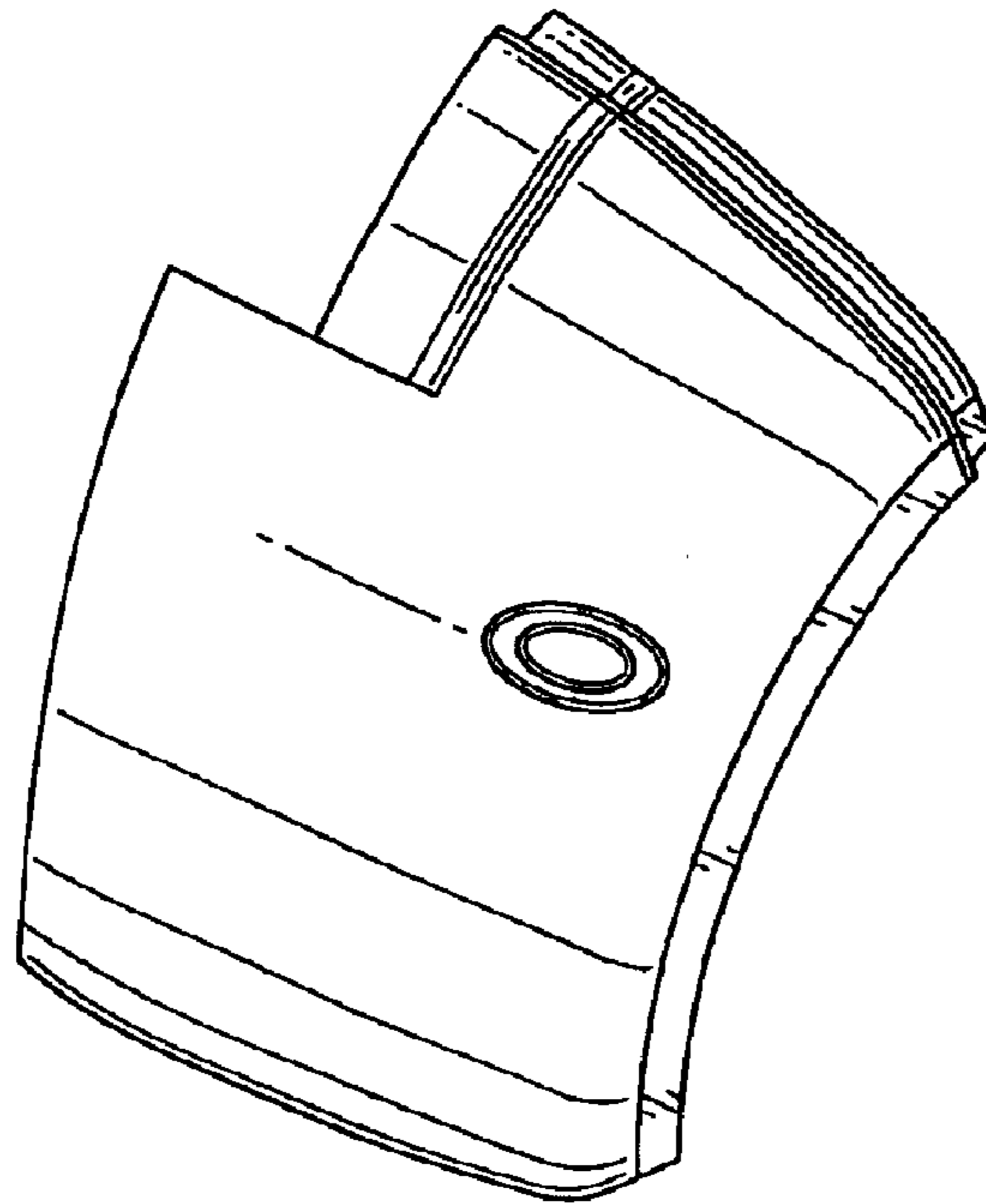


FIG. 1

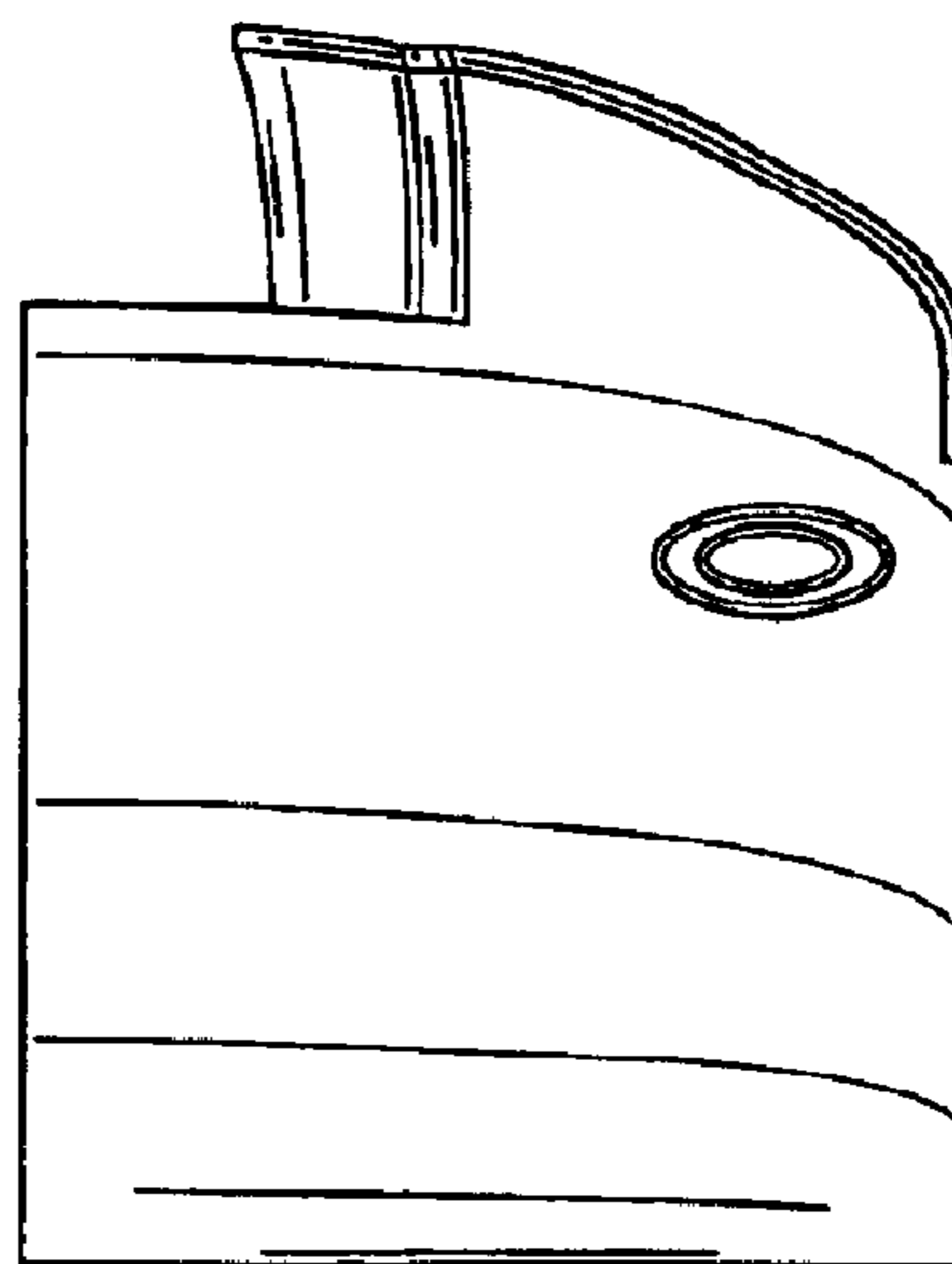


FIG. 2

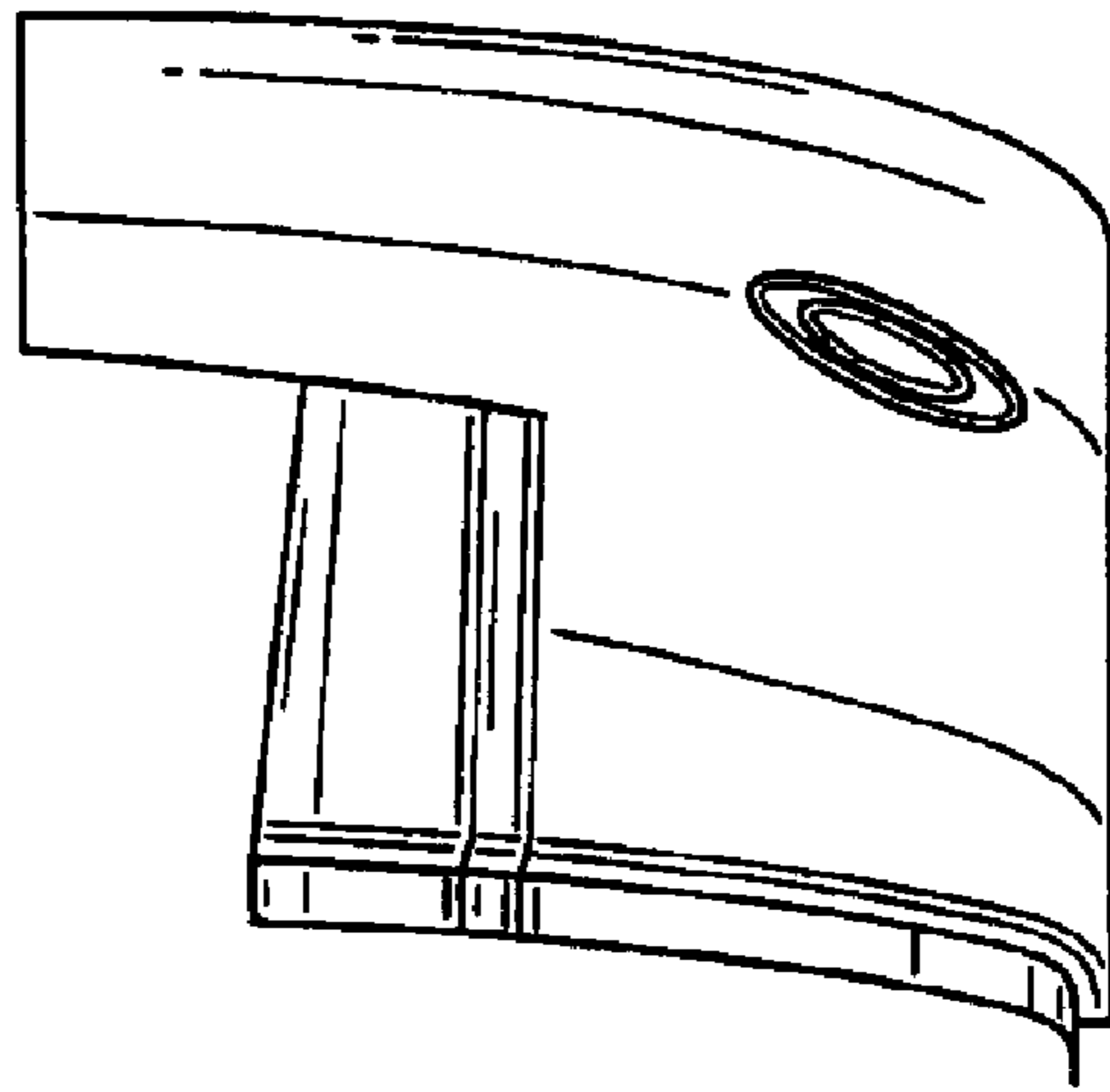


FIG. 3

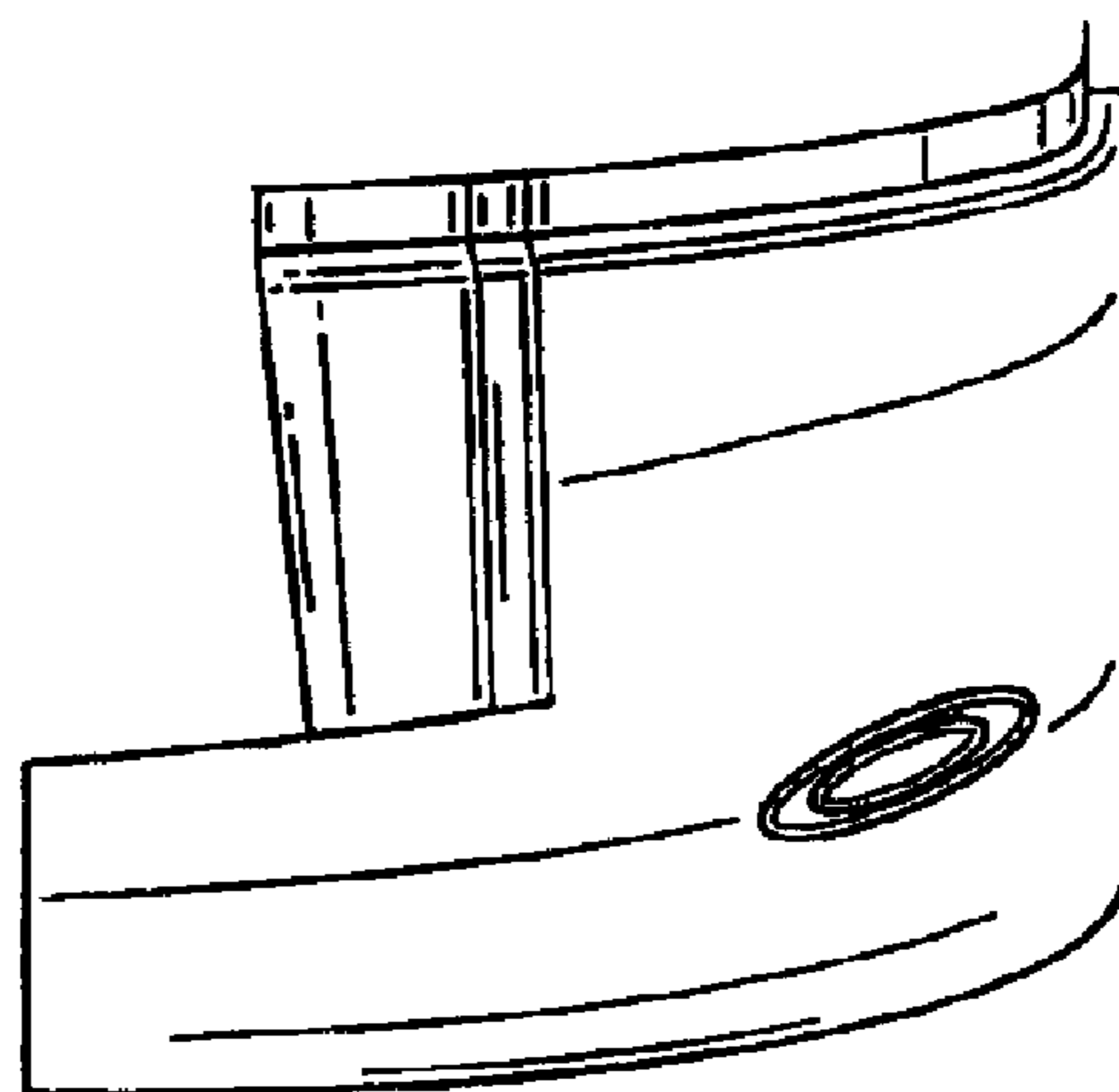


FIG. 4

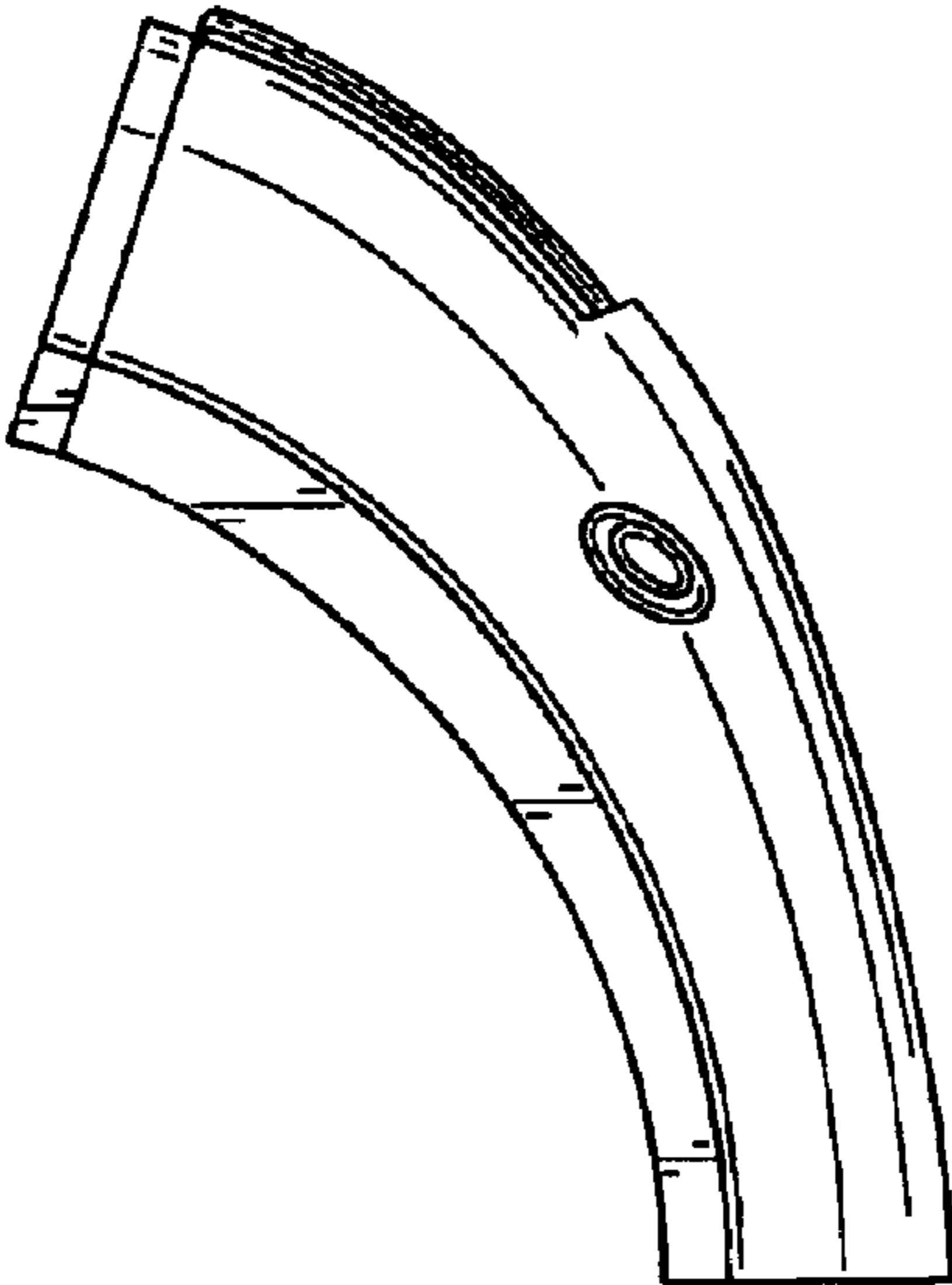


FIG. 5

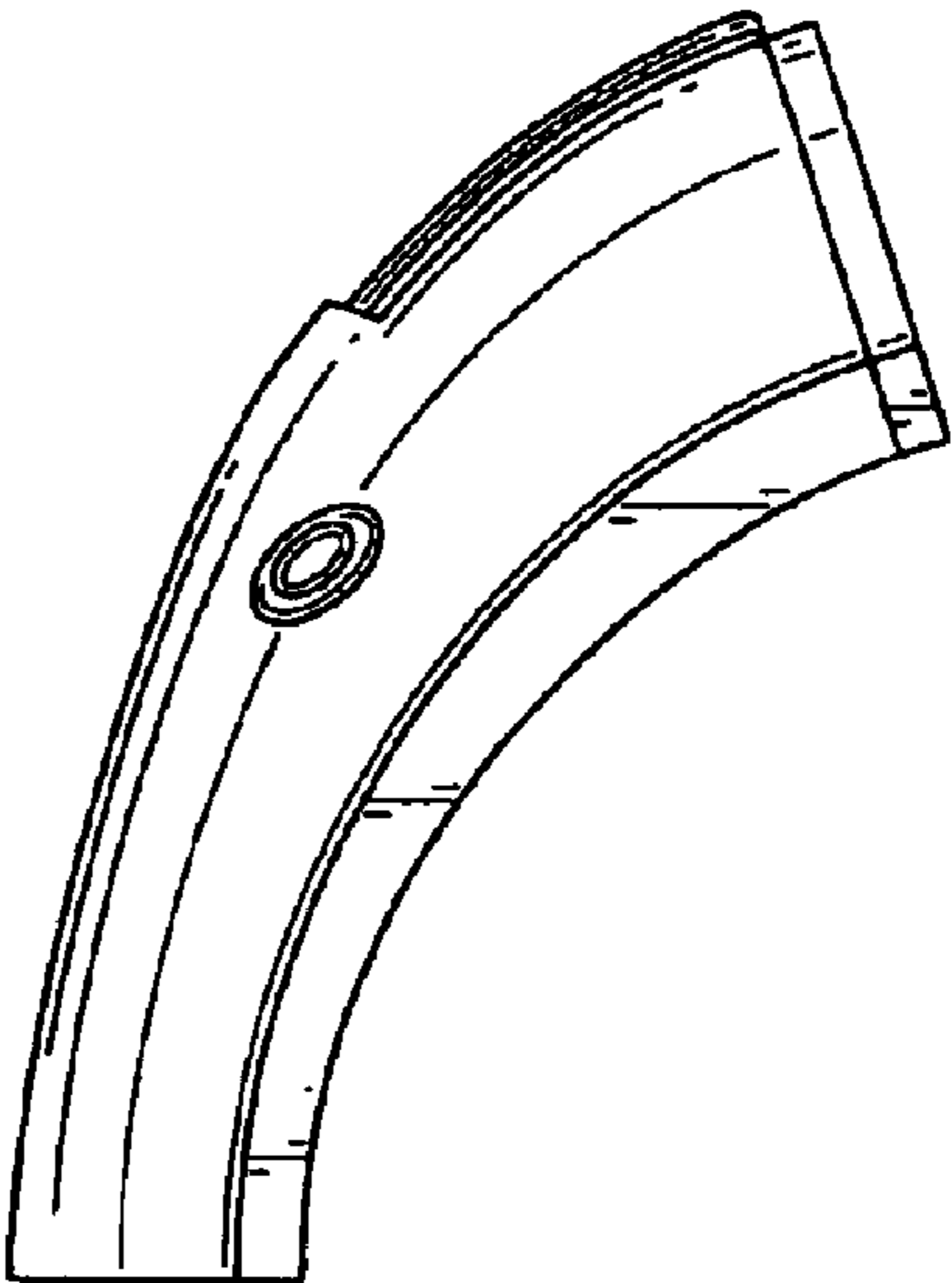


FIG. 6

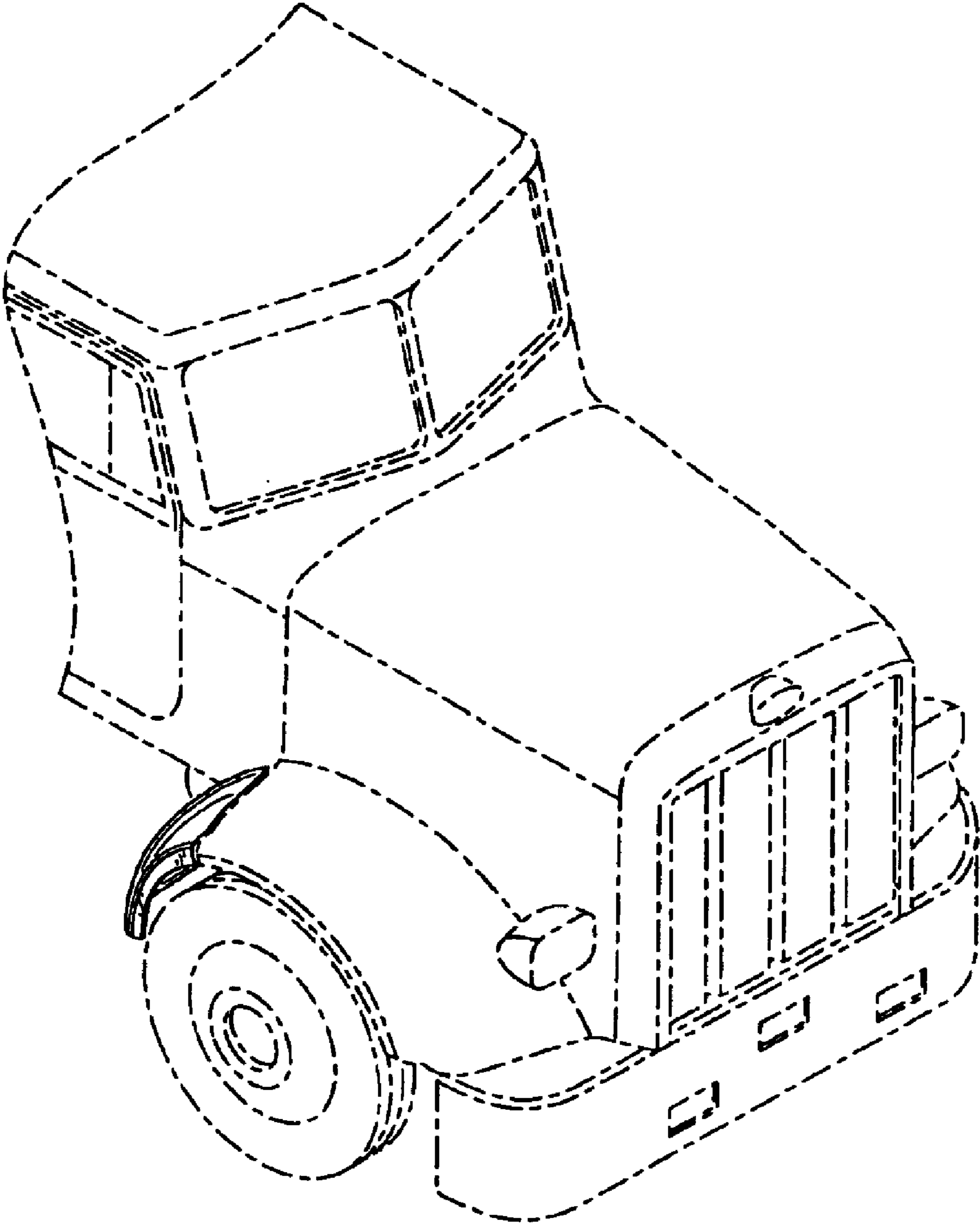


FIG. 7

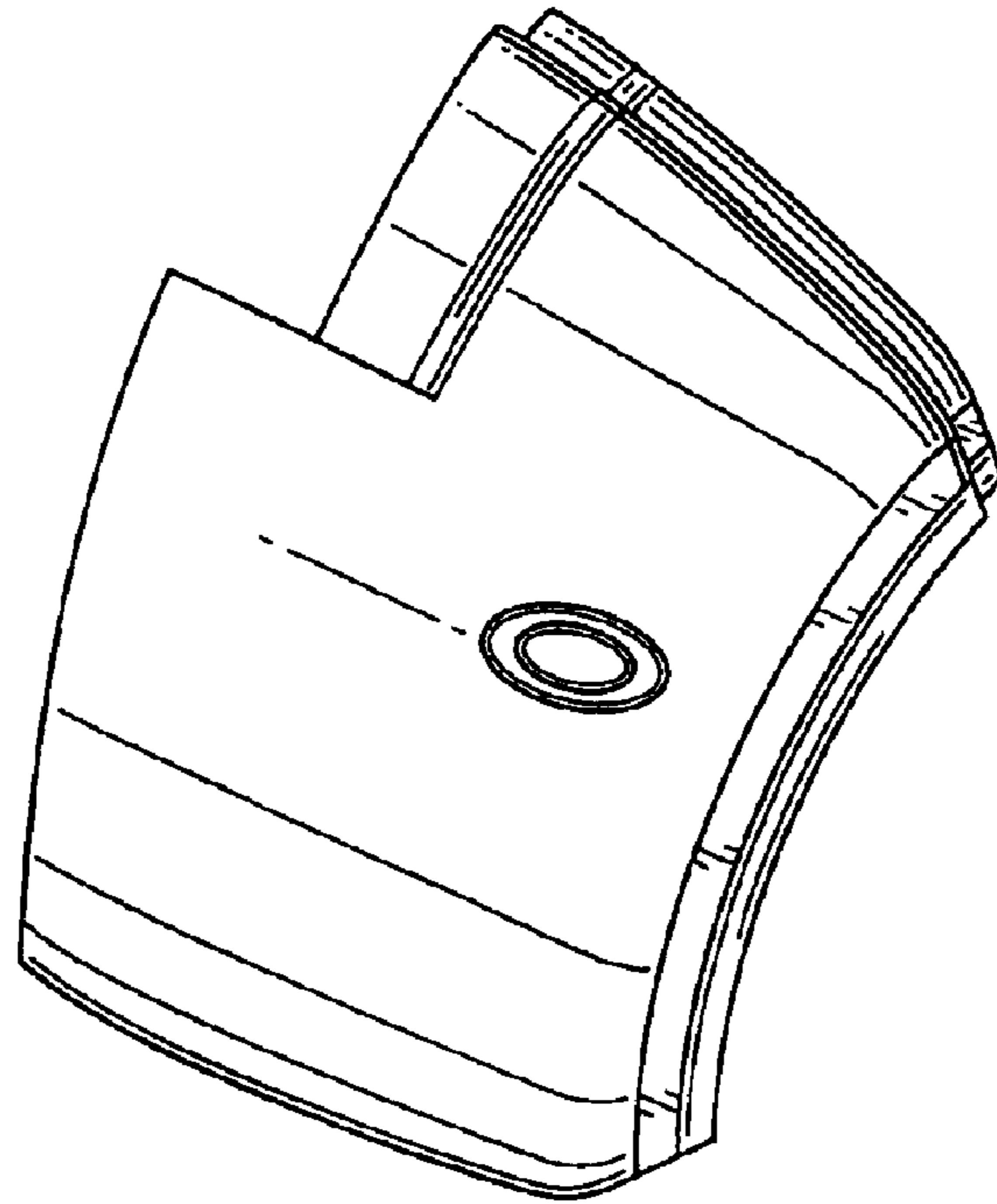


FIG. 8

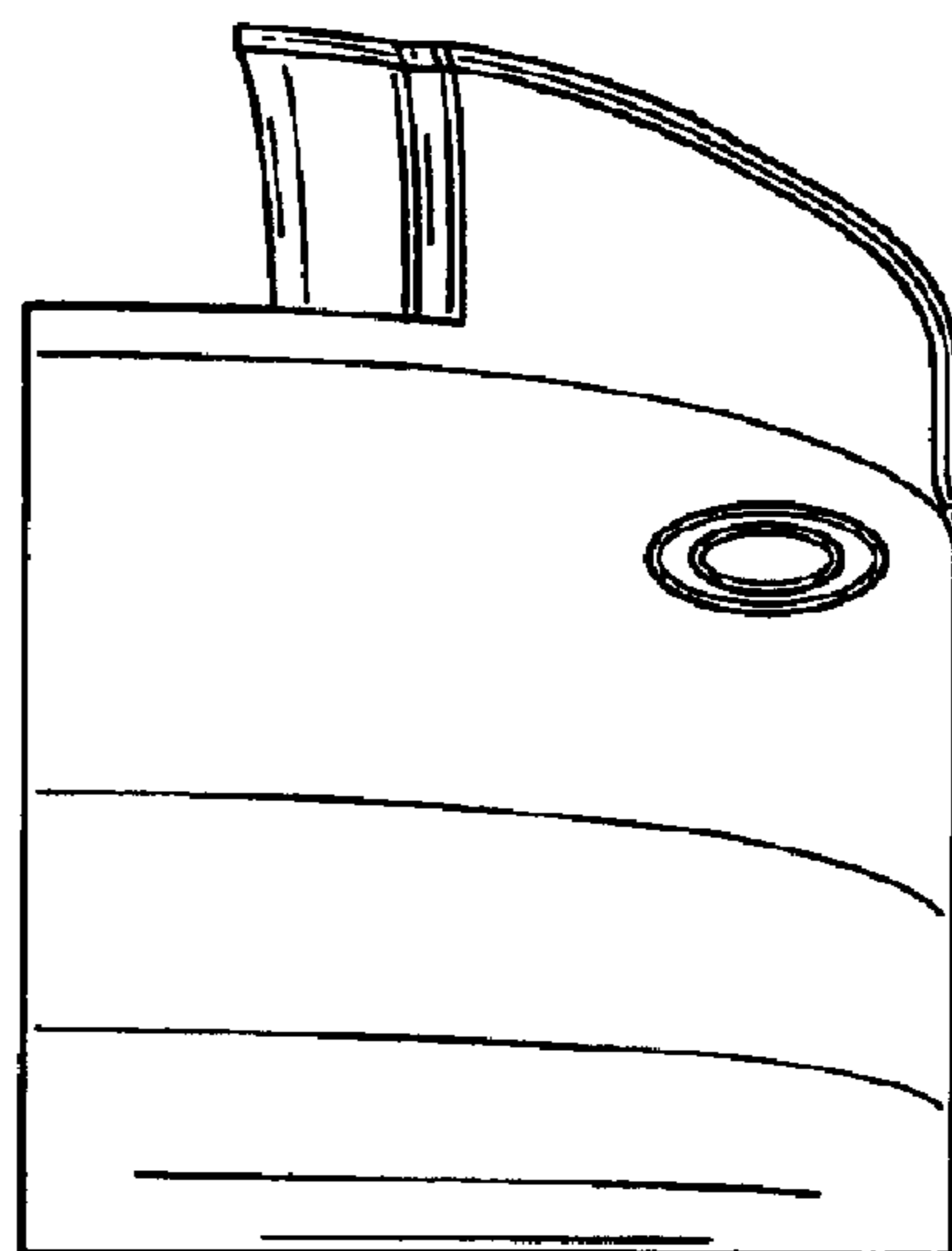


FIG. 9

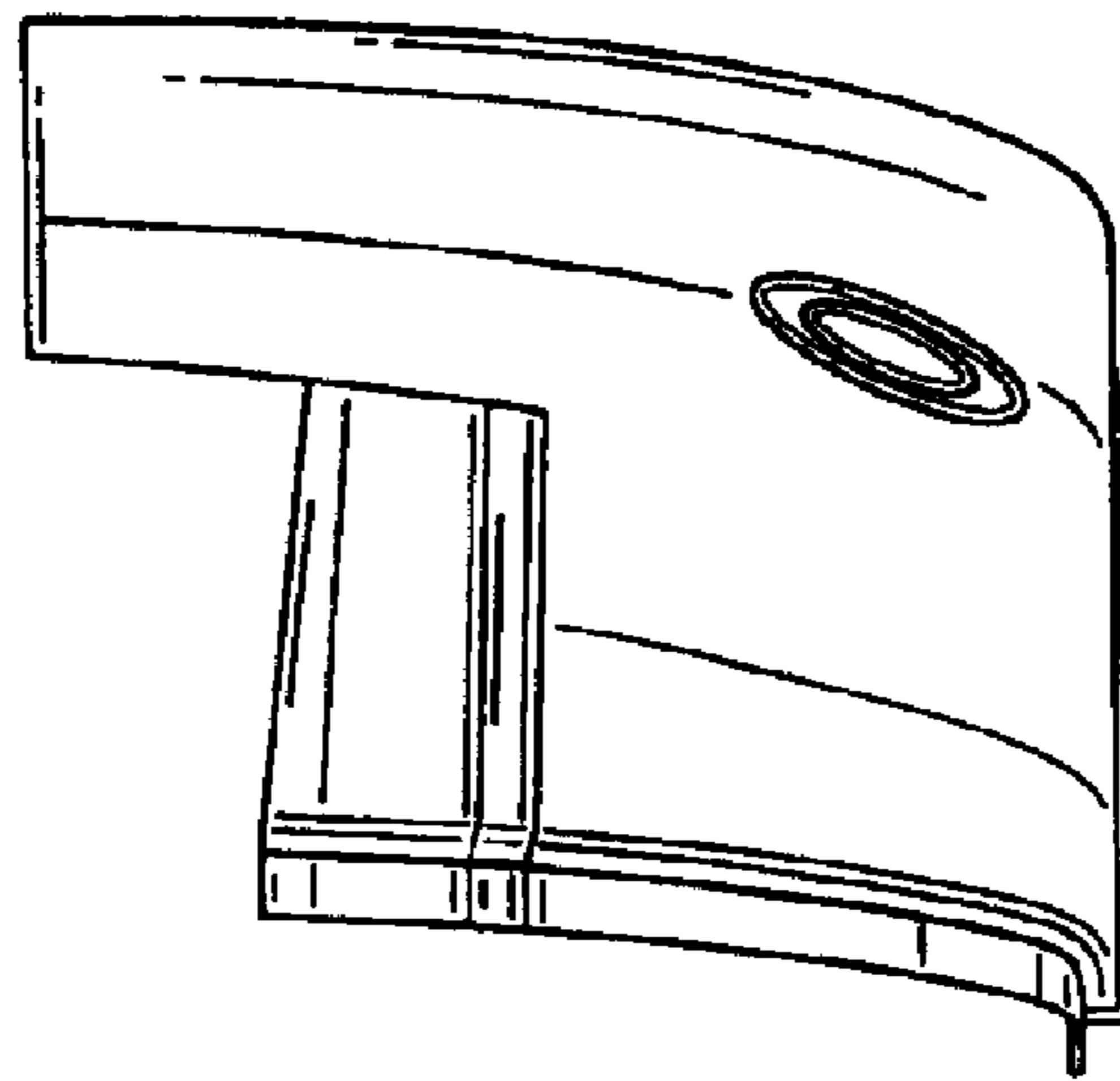


FIG. 10

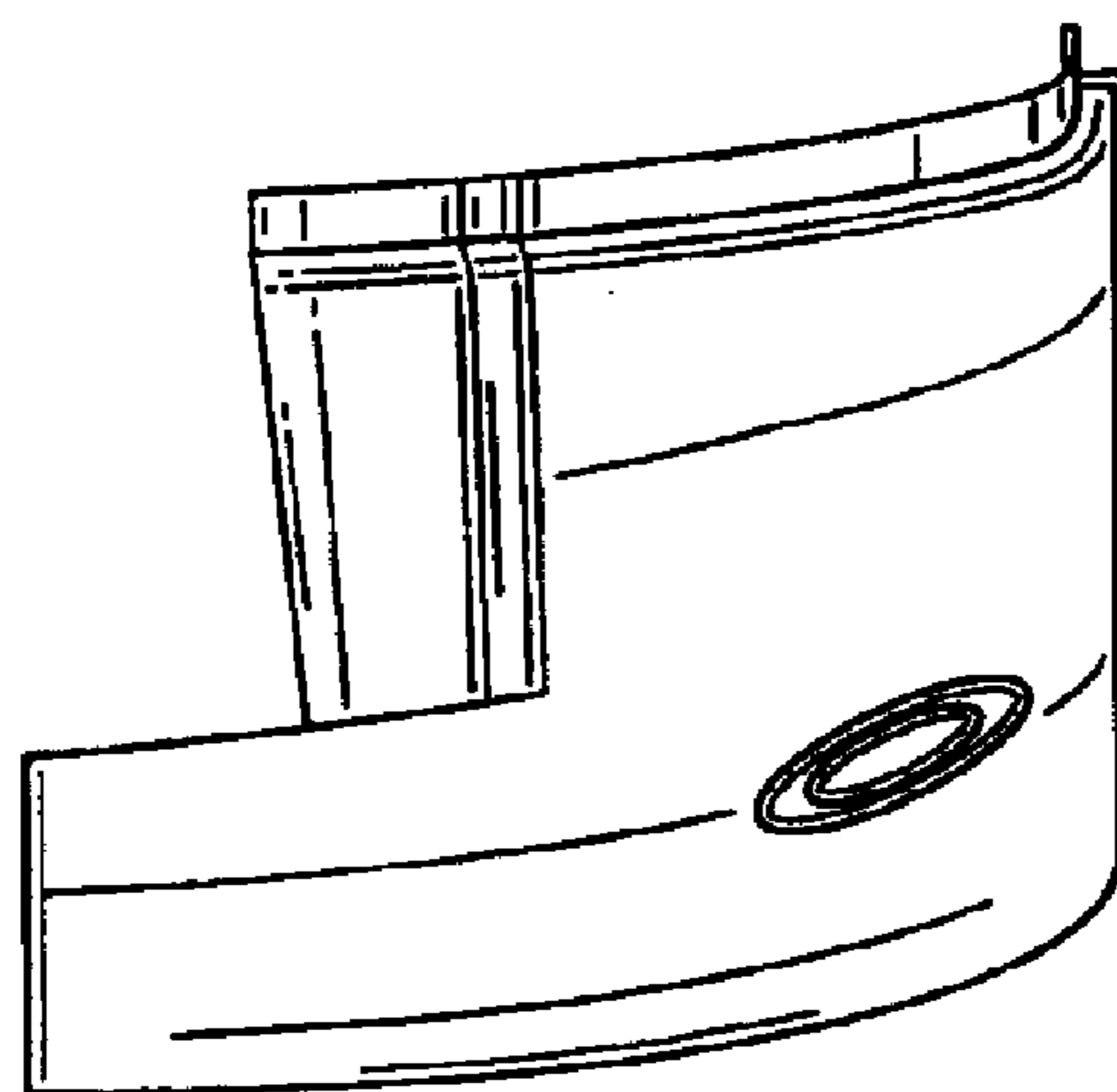


FIG. 11

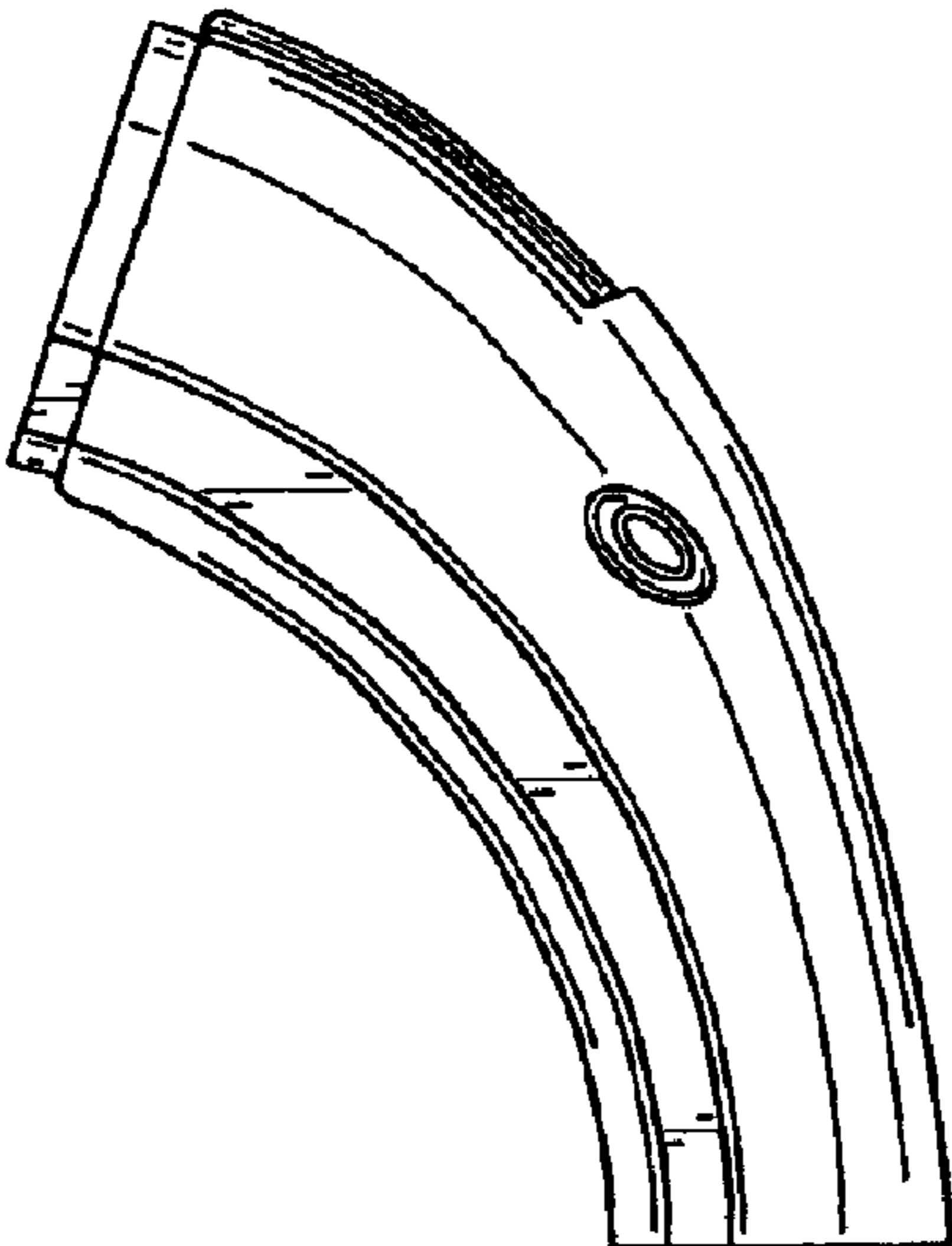


FIG. 12

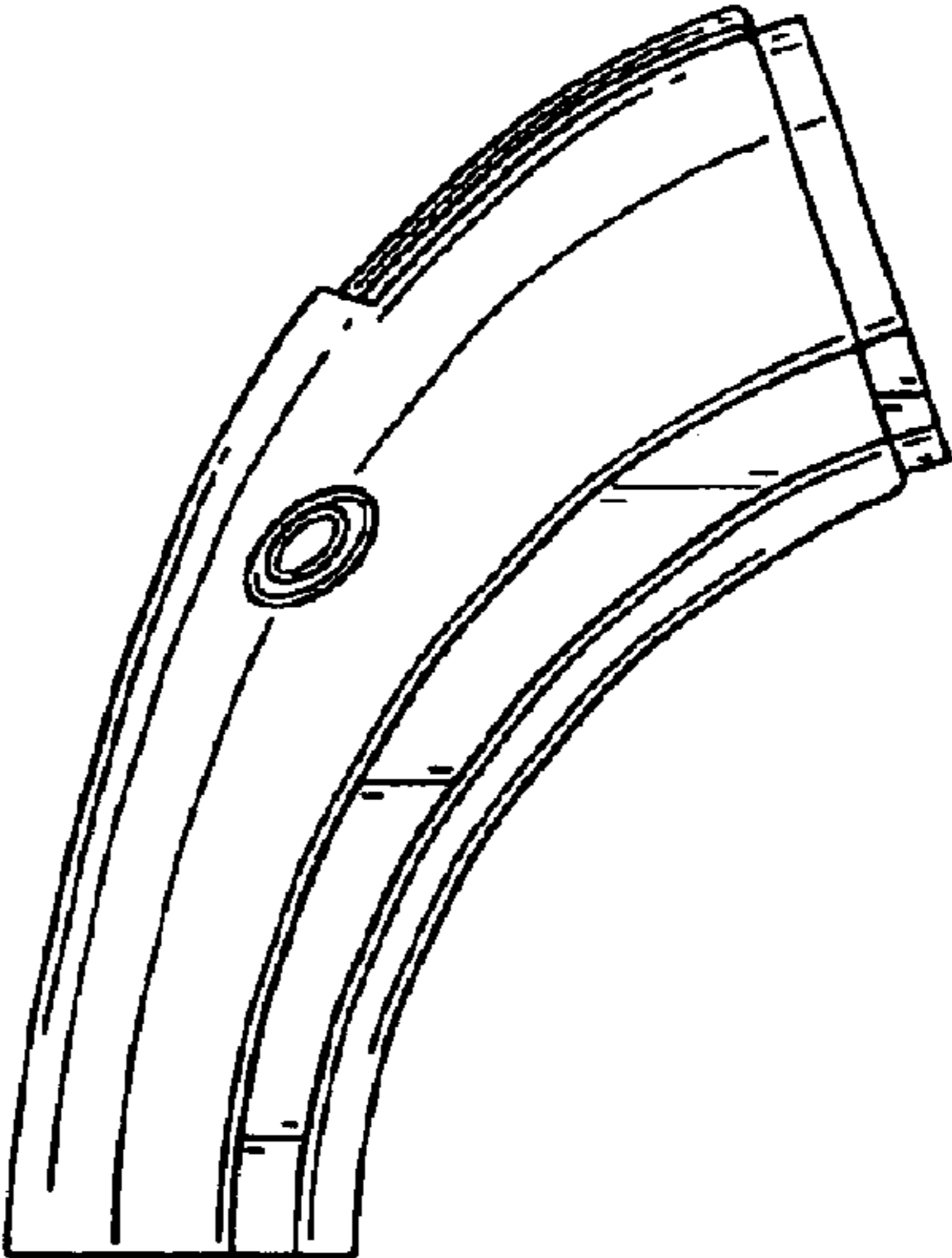


FIG. 13

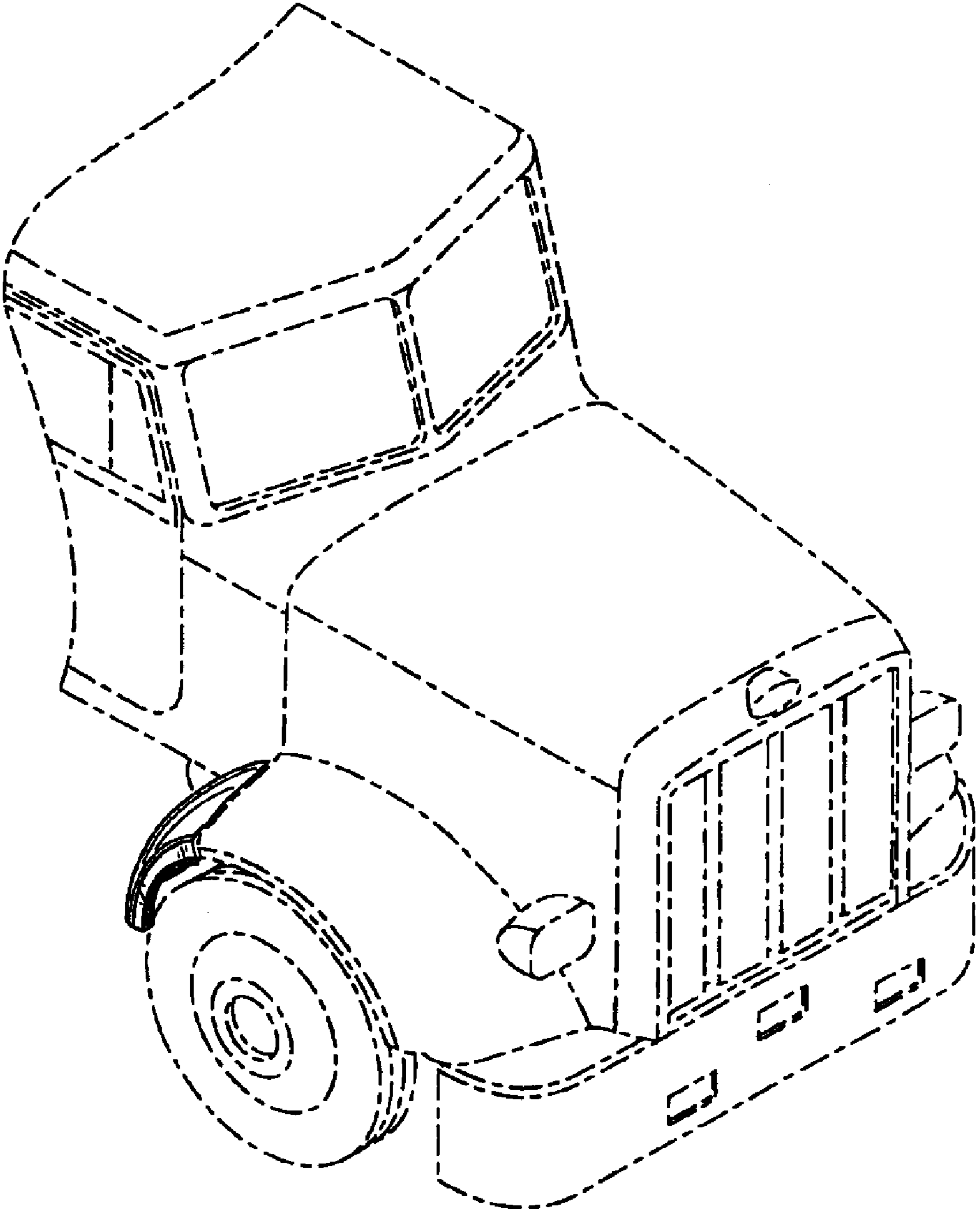


FIG. 14