

US00D502901S

(12) **United States Design Patent**
Delashaw et al.

(10) **Patent No.:** **US D502,901 S**

(45) **Date of Patent:** **** Mar. 15, 2005**

(54) **HOOD FOR A TRUCK VEHICLE**

(75) Inventors: **Bryan W. Delashaw**, Frisco, TX (US);
Louis D. Heilaneh, Lewisville, TX
(US); **Chris I. Ito**, Corinth, TX (US)

(73) Assignee: **PACCAR Inc**, Bellevue, WA (US)

(**) Term: **14 Years**

(21) Appl. No.: **29/198,478**

(22) Filed: **Jan. 30, 2004**

(51) **LOC (7) Cl.** **12-16**

(52) **U.S. Cl.** **D12/173**

(58) **Field of Search** D12/173, 96, 93;
180/89.12-89.14, 89.16

(56) **References Cited**

U.S. PATENT DOCUMENTS

D466,450 S	*	12/2002	Maher et al.	D12/96
D484,077 S	*	12/2003	Conway et al.	D12/173
D488,112 S	*	4/2004	Satou	D12/173
D497,581 S	*	10/2004	Conway et al.	D12/173

* cited by examiner

Primary Examiner—Melody N. Brown

(74) *Attorney, Agent, or Firm*—Sidley Austin Brown & Wood LLP

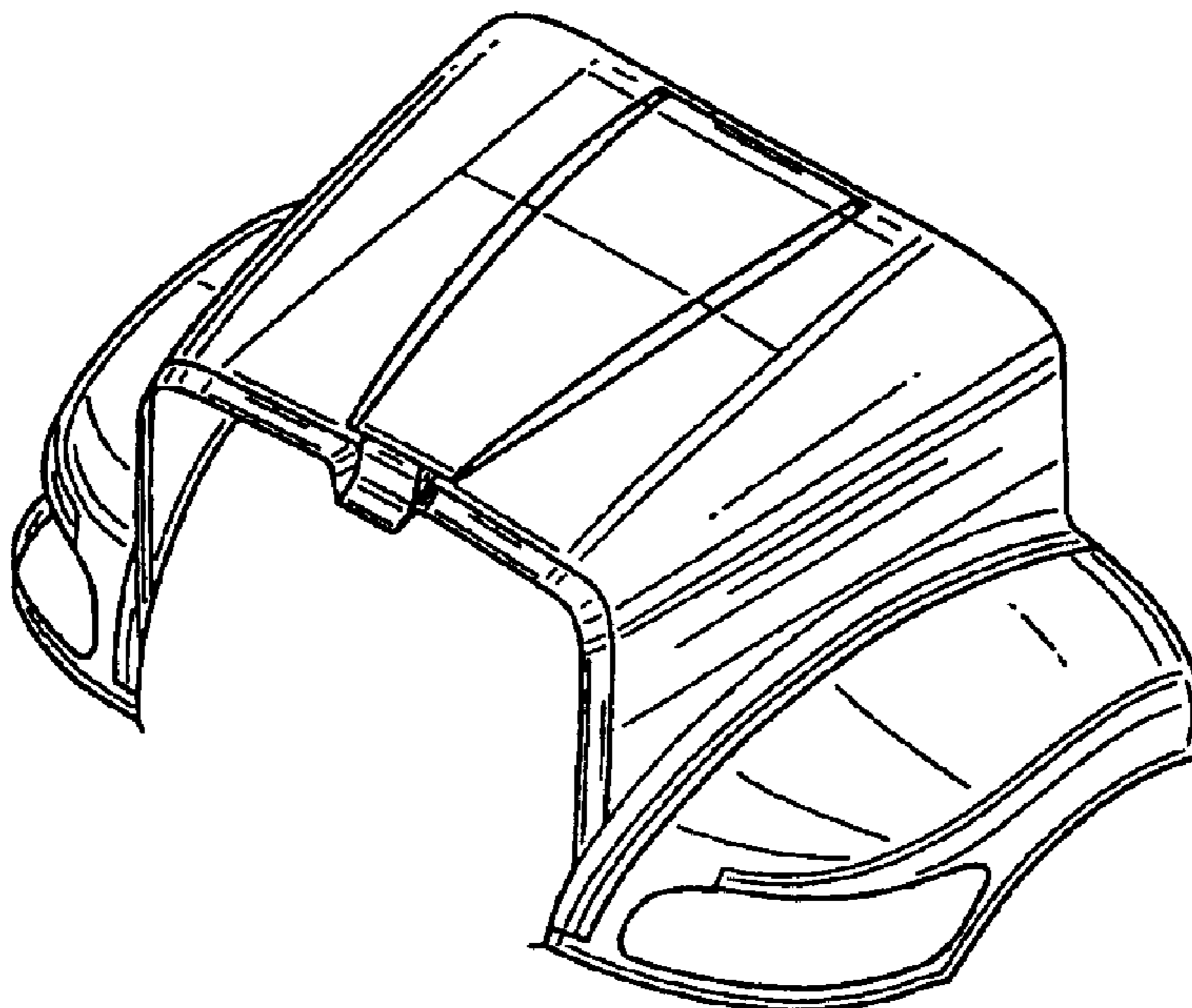
(57) **CLAIM**

The ornamental design for a hood for a truck vehicle, as shown and described.

DESCRIPTION

FIG. 1 is a perspective view of a first embodiment of a hood for a truck vehicle;
 FIG. 2 is a front view thereof;
 FIG. 3 is a top view thereof;
 FIG. 4 is a bottom view thereof;
 FIG. 5 is a right side view thereof;
 FIG. 6 is a left side view thereof;
 FIG. 7 is a second perspective view thereof;
 FIG. 8 is a perspective view of a second embodiment of a hood for a truck vehicle;
 FIG. 9 is a front view thereof;
 FIG. 10 is a top view thereof;
 FIG. 11 is a bottom view thereof;
 FIG. 12 is a right side view thereof;
 FIG. 13 is a left side view thereof; and,
 FIG. 14 is a second perspective view thereof.
 Parts shown in broken lines are for illustrative purposes only and form no part of the claimed design.

1 Claim, 8 Drawing Sheets



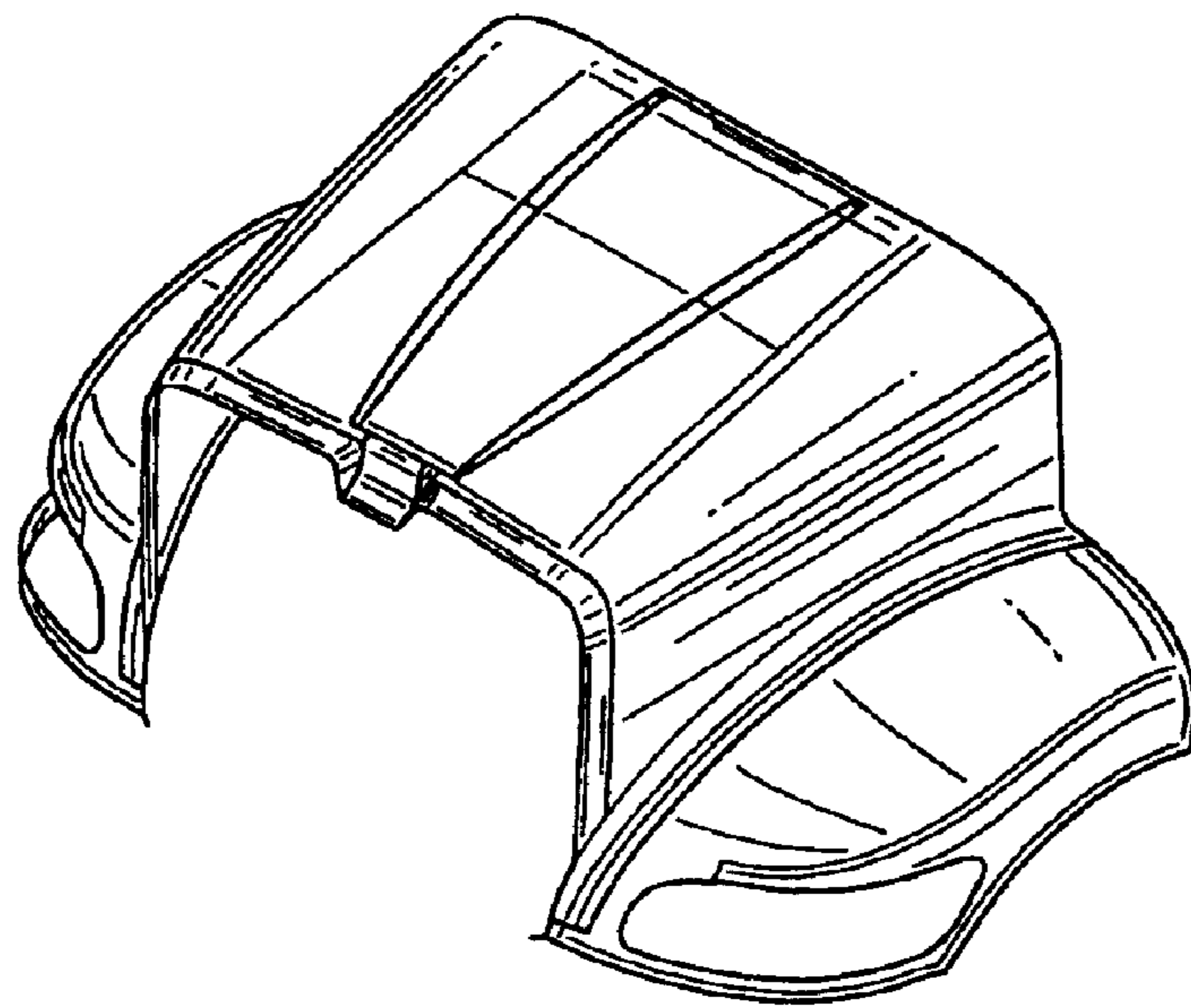


FIG. 1

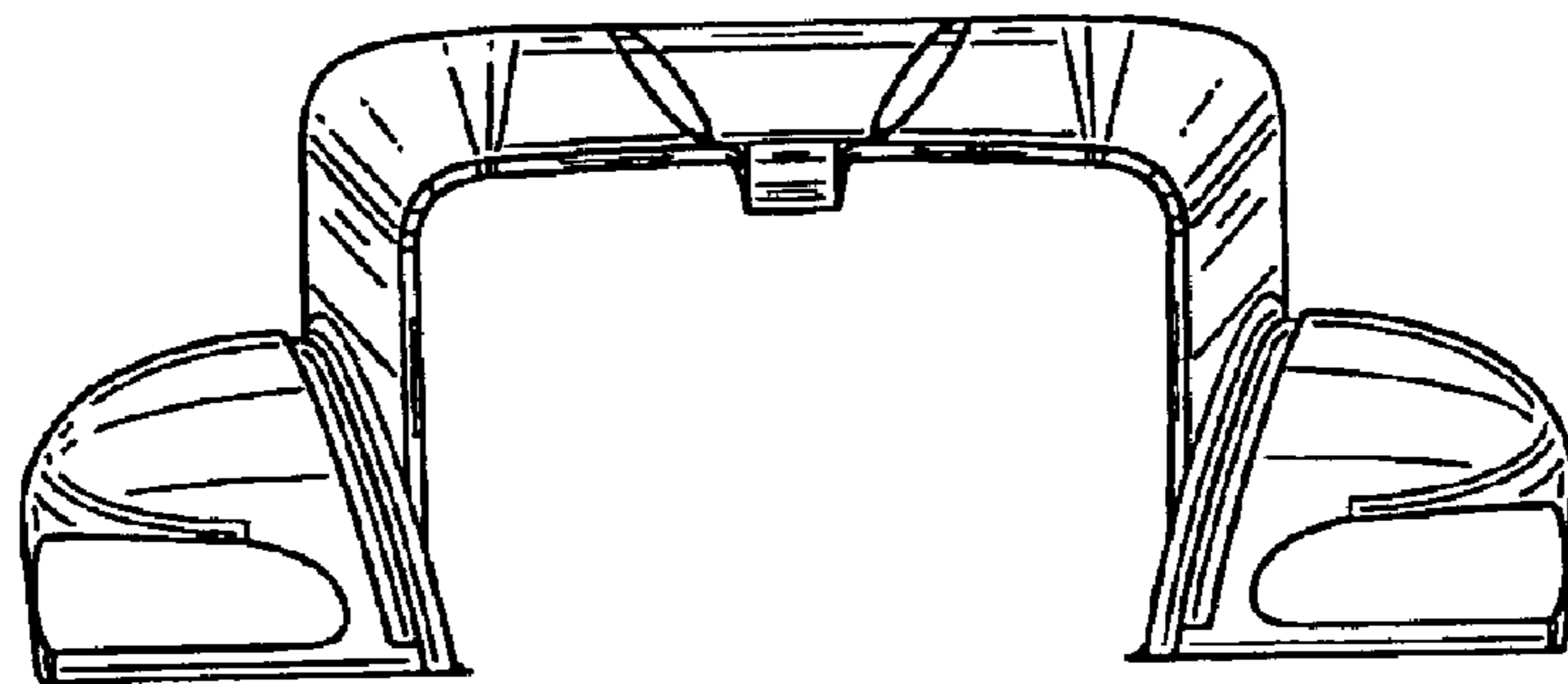


FIG. 2

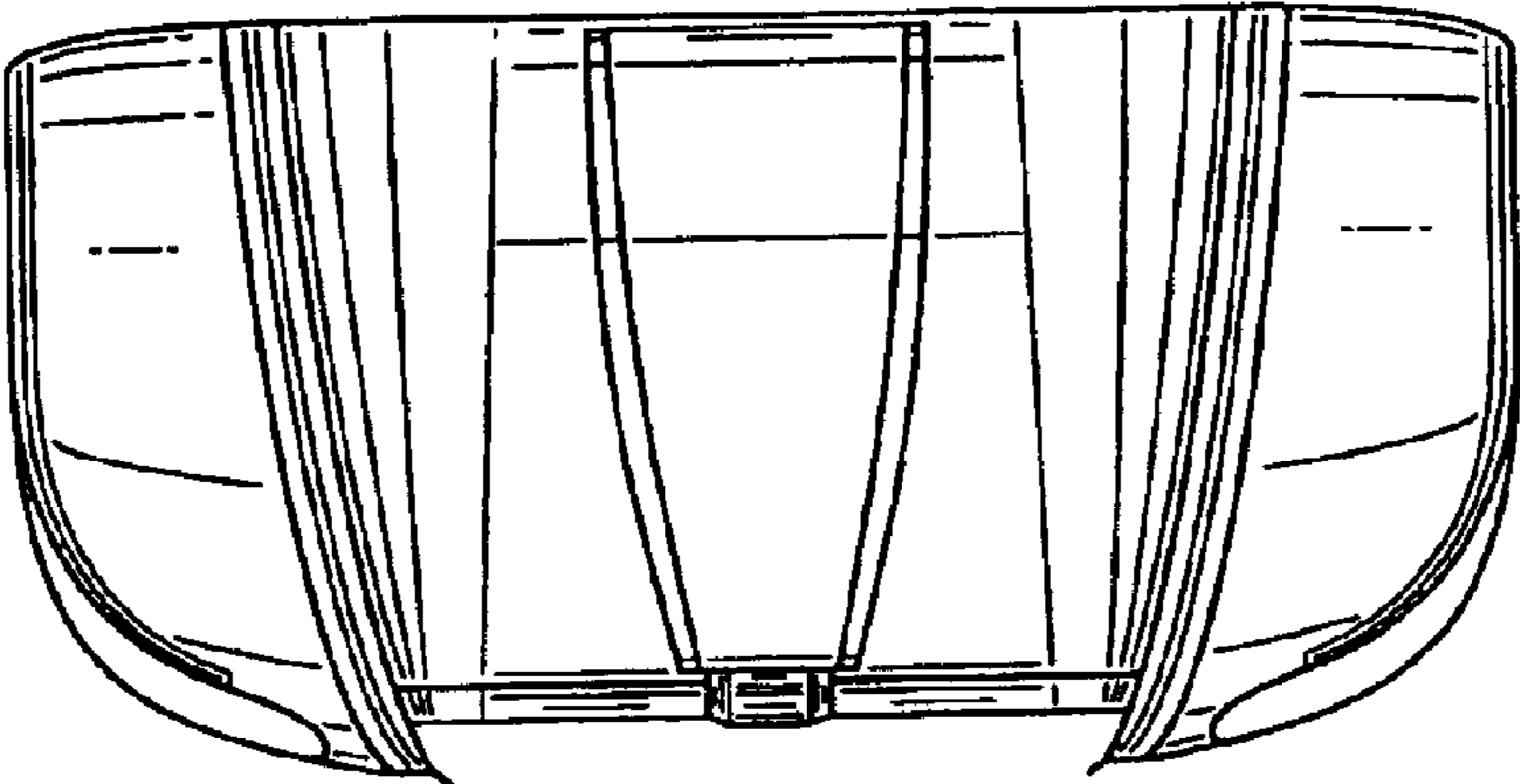


FIG. 3

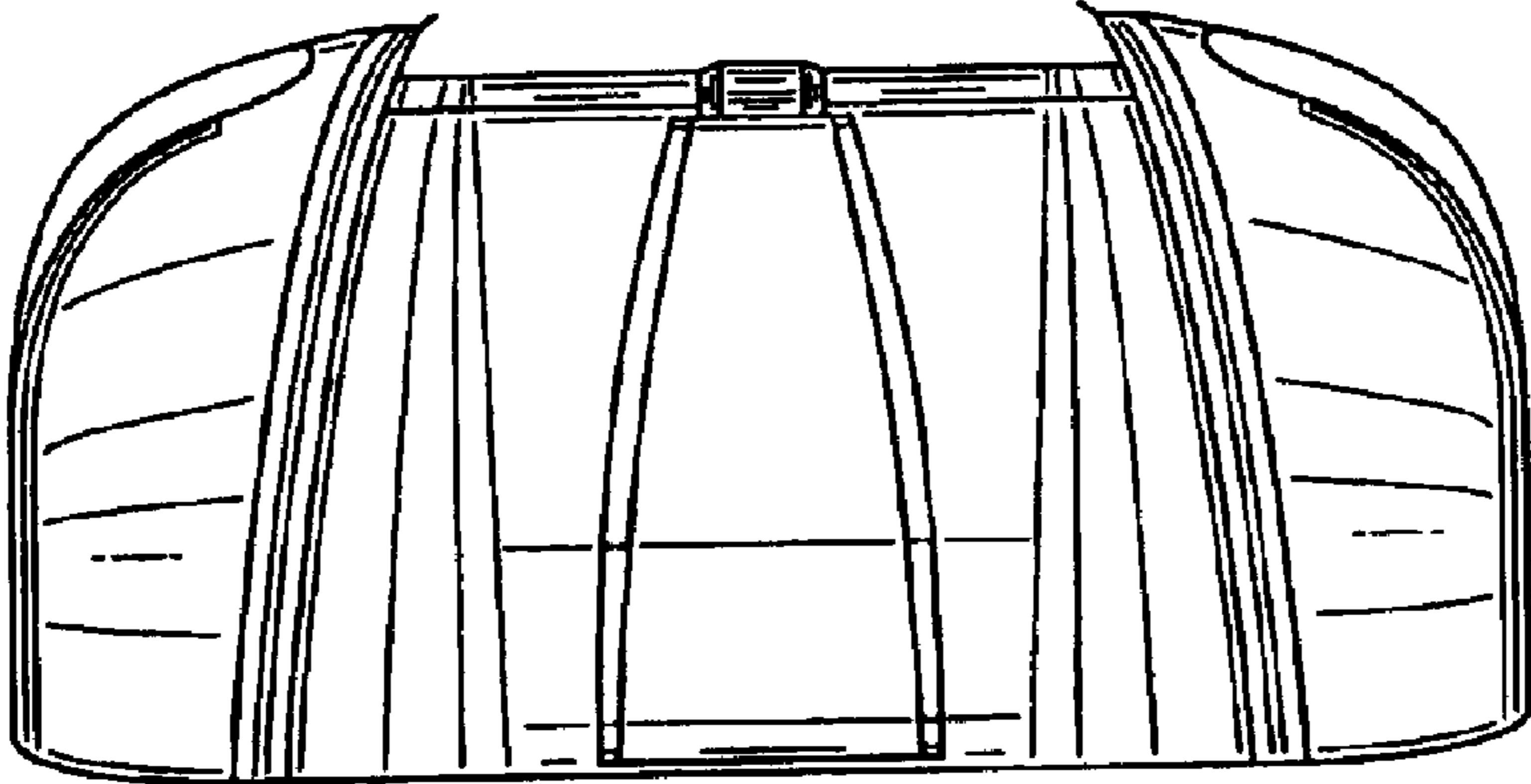


FIG. 4

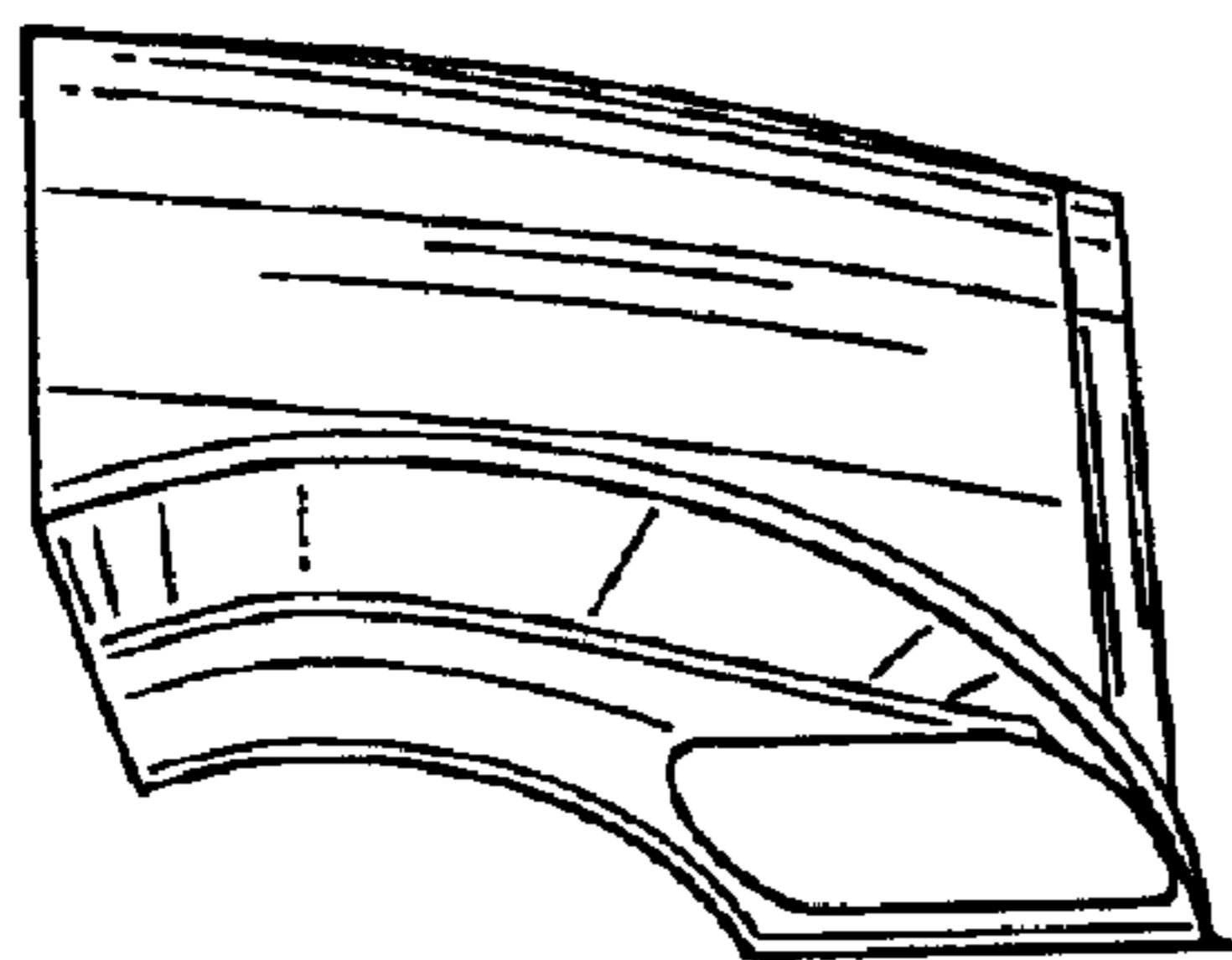


FIG. 5

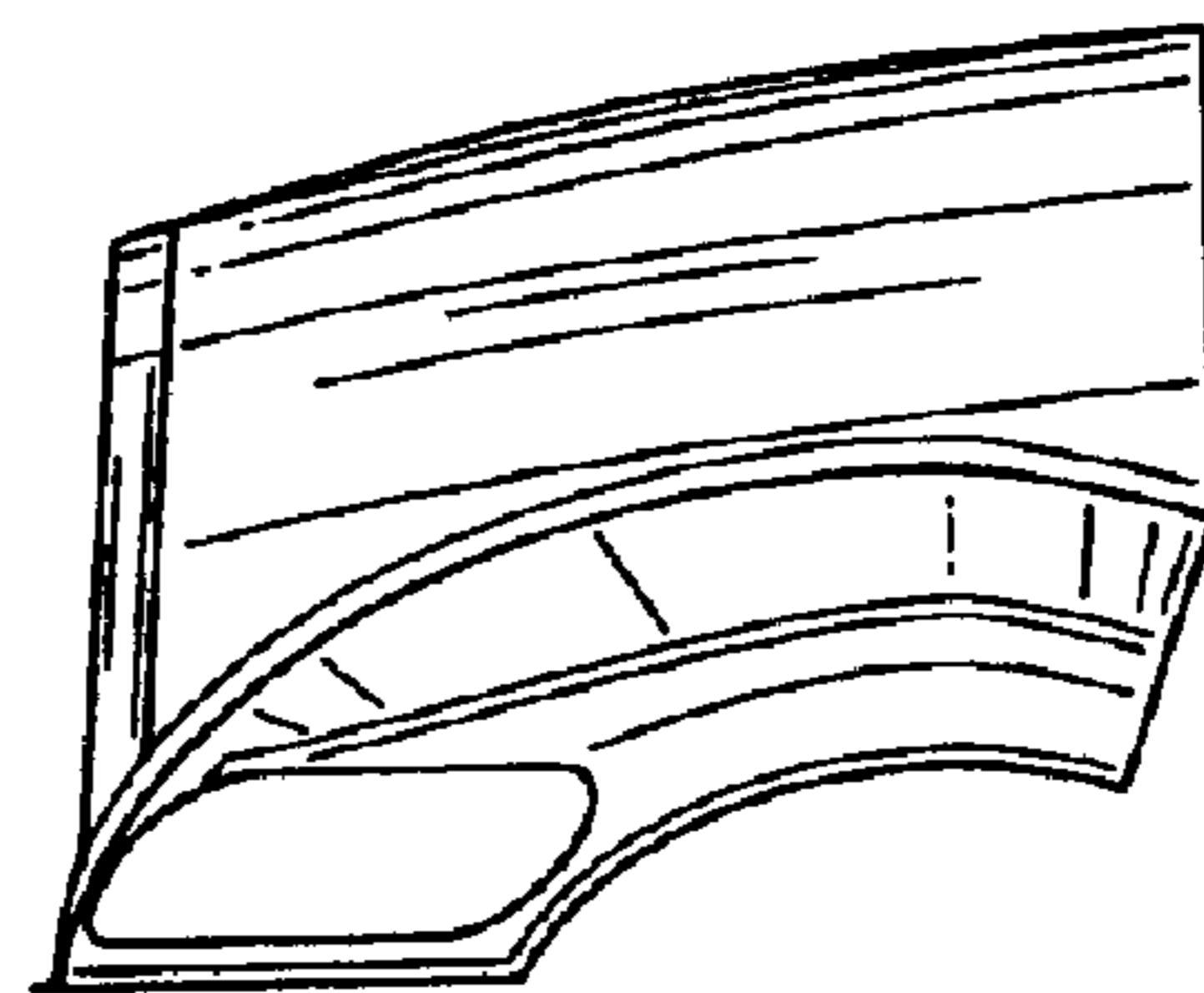


FIG. 6

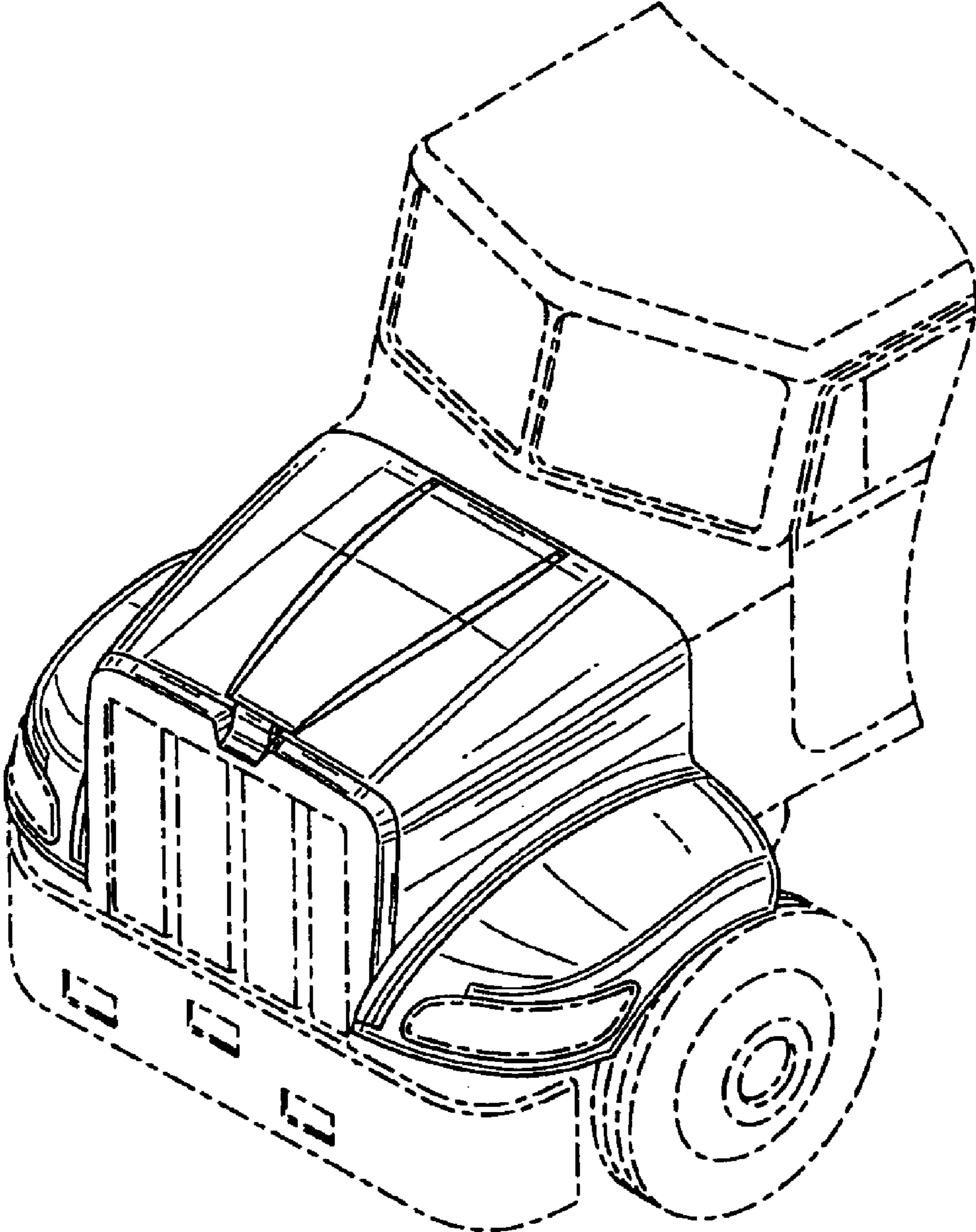


FIG. 7

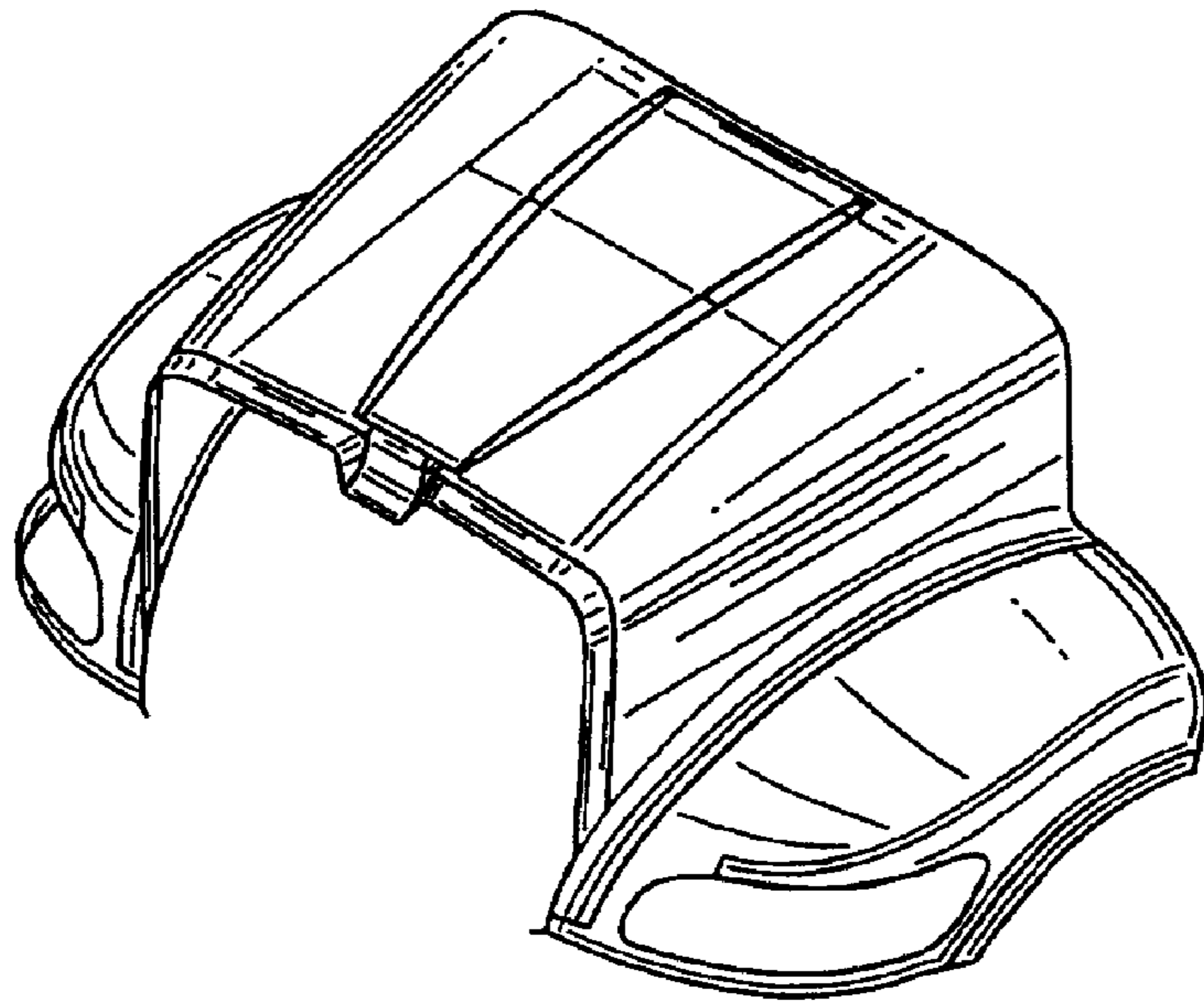


FIG. 8

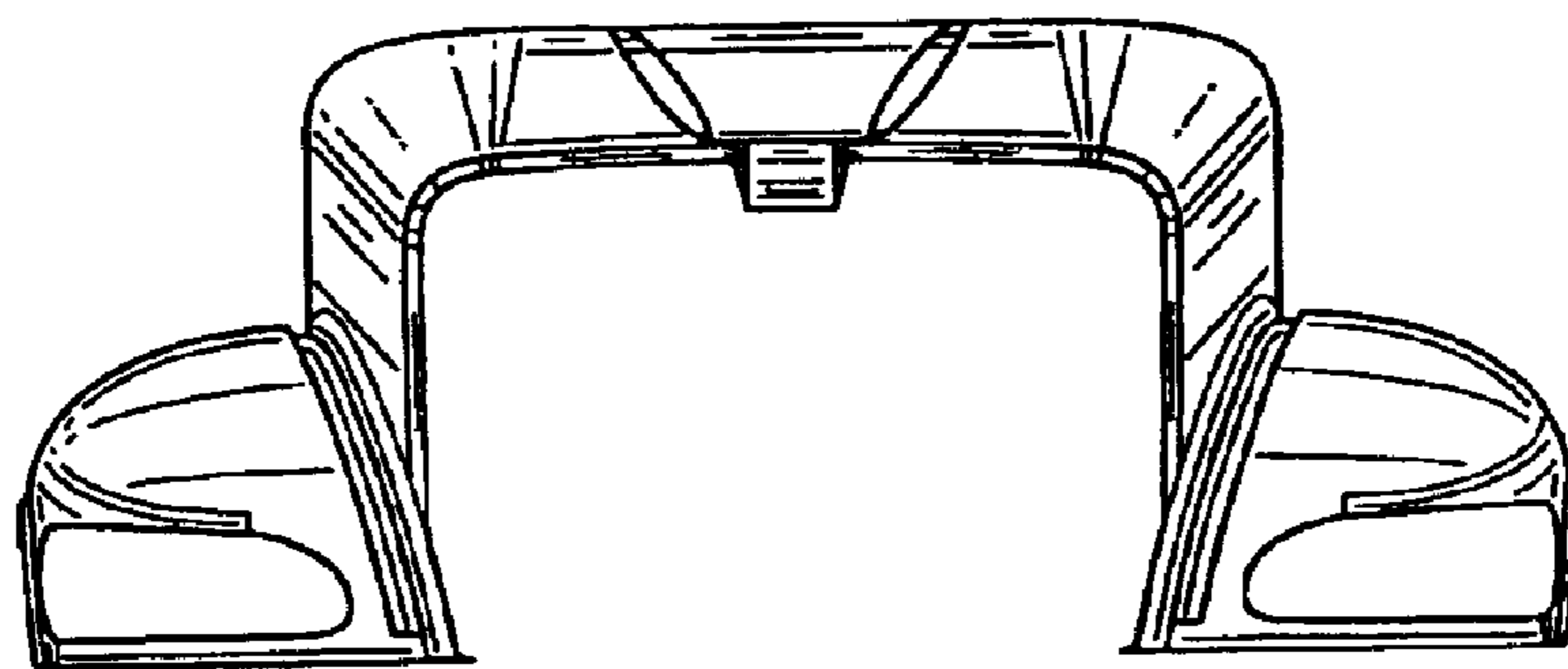


FIG. 9

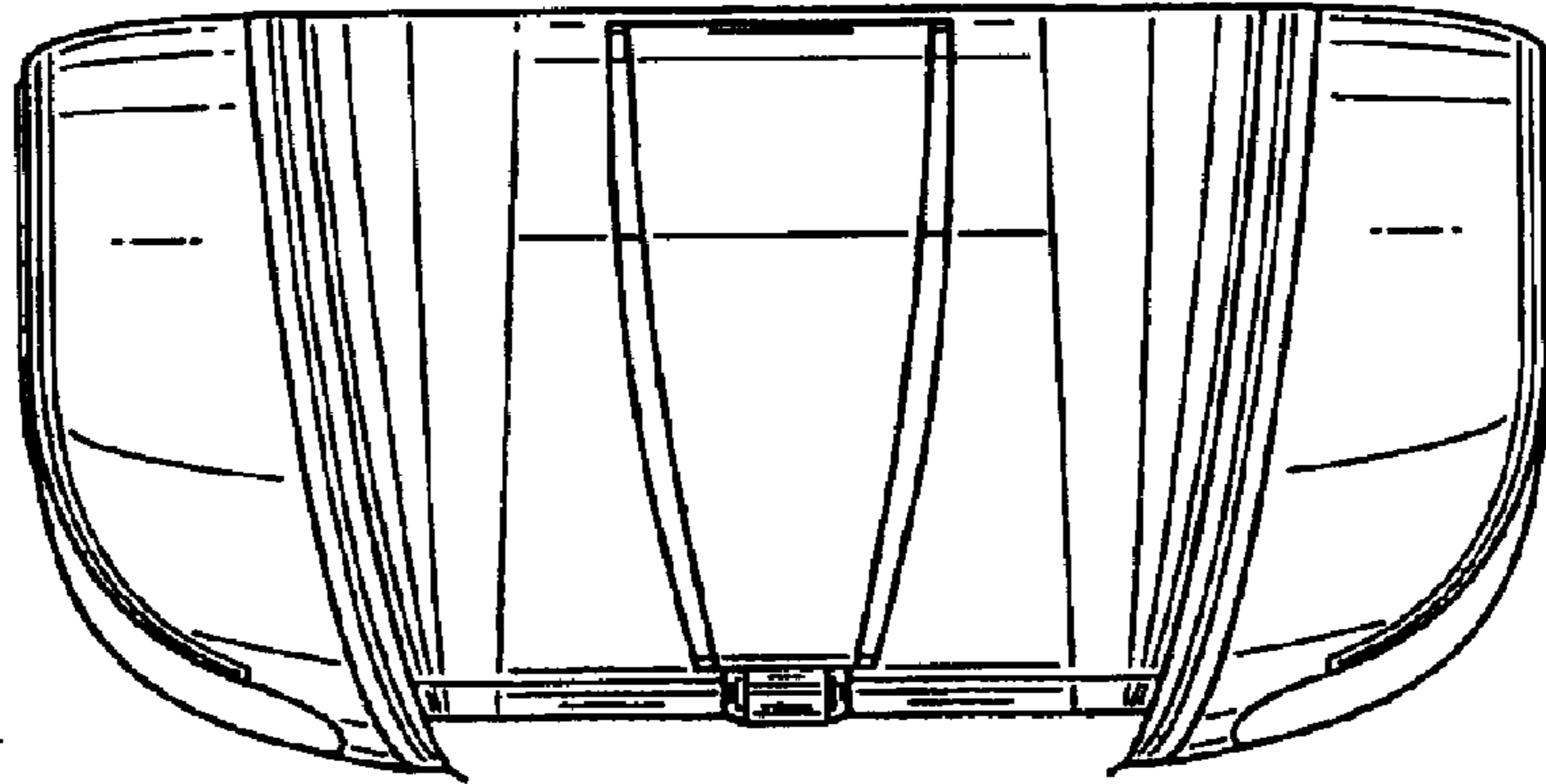


FIG. 10

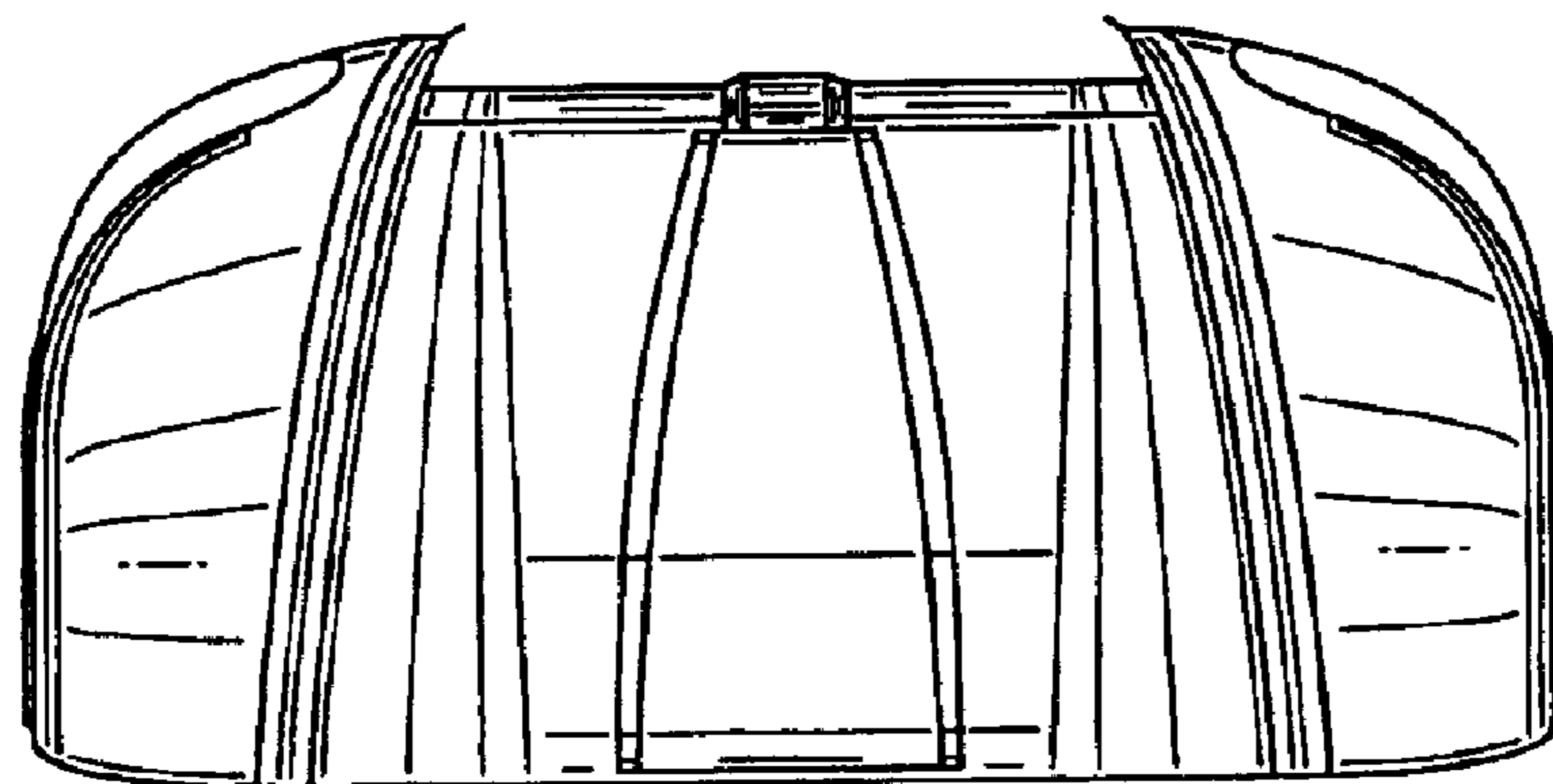


FIG. 11

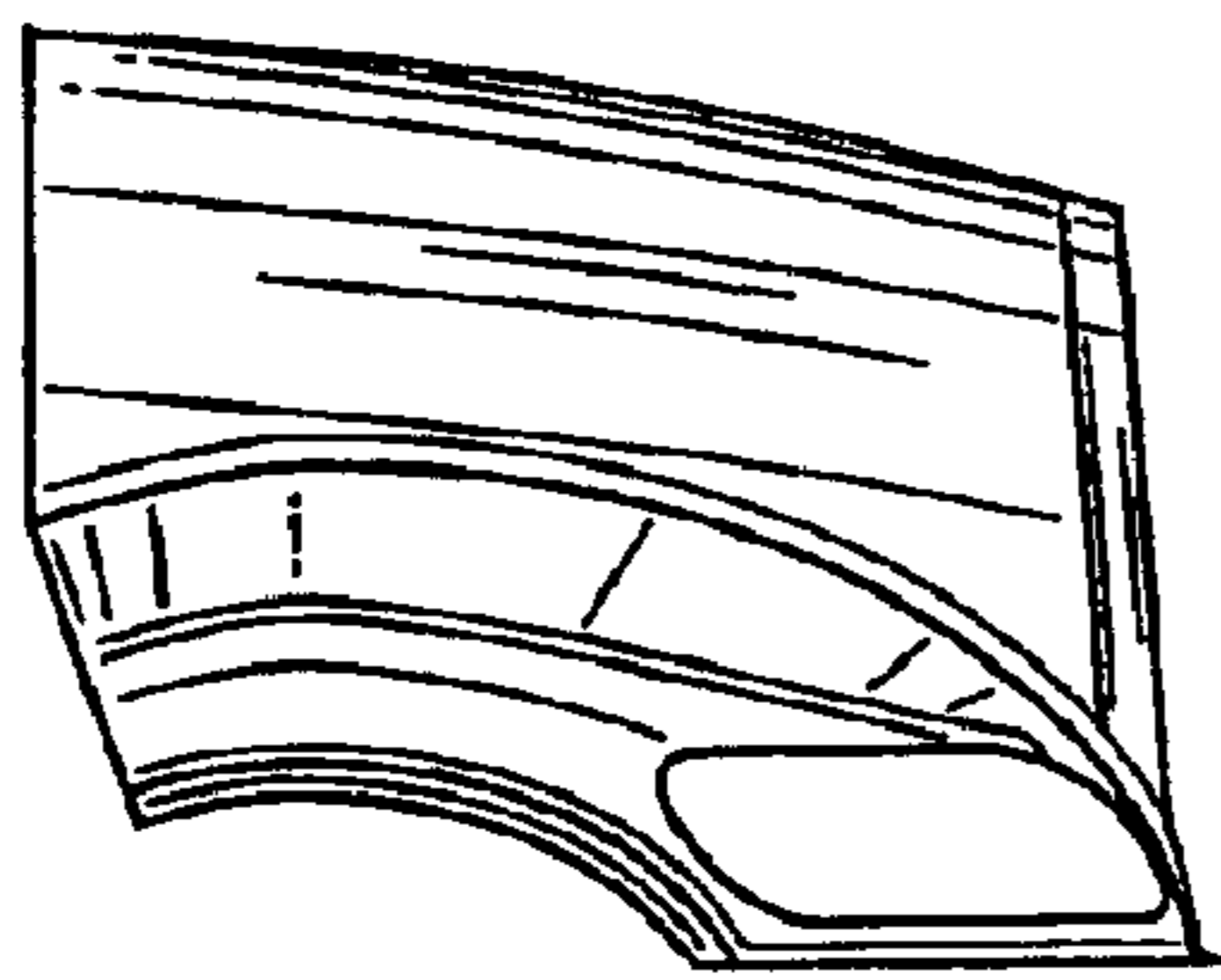


FIG. 12

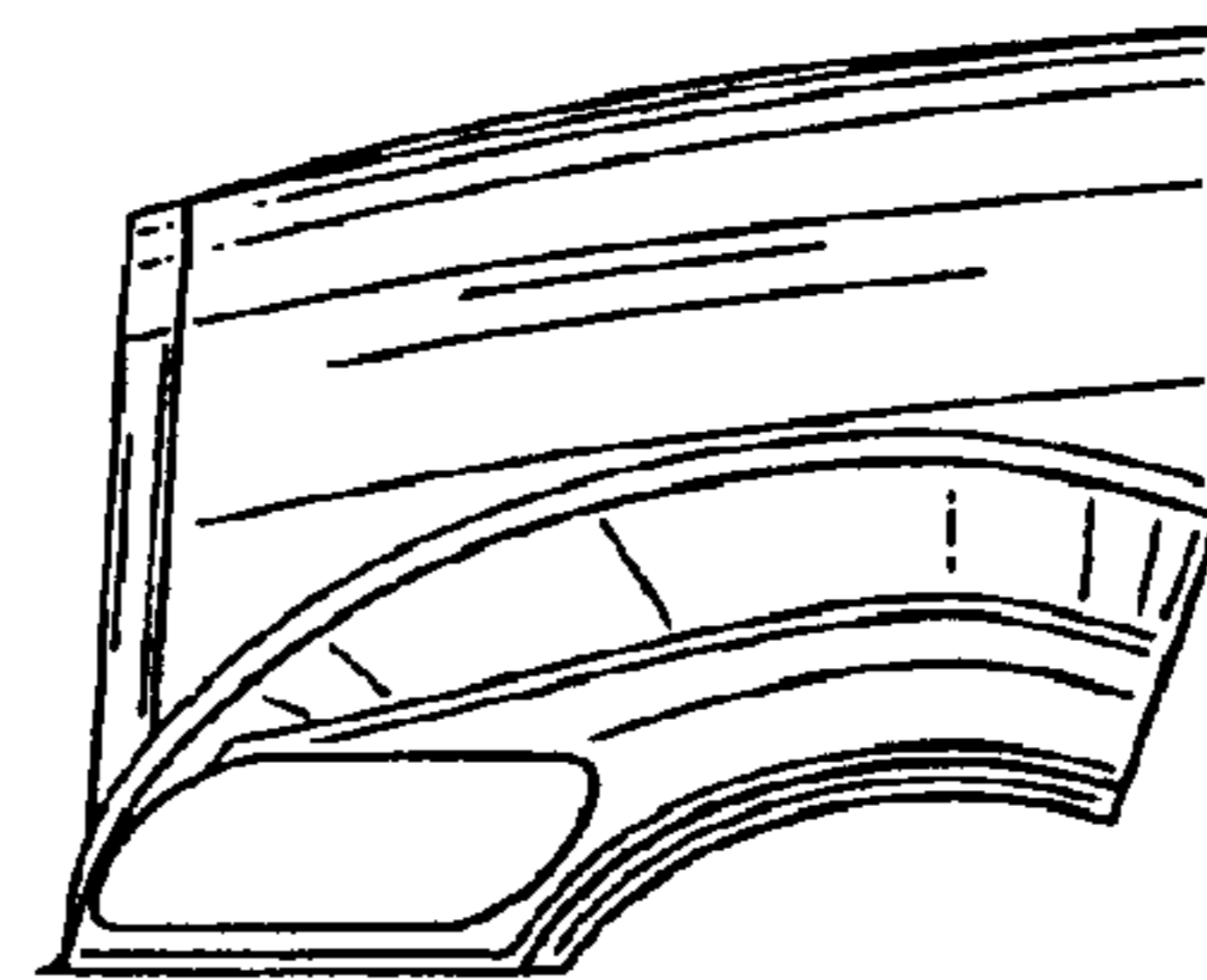


FIG. 13

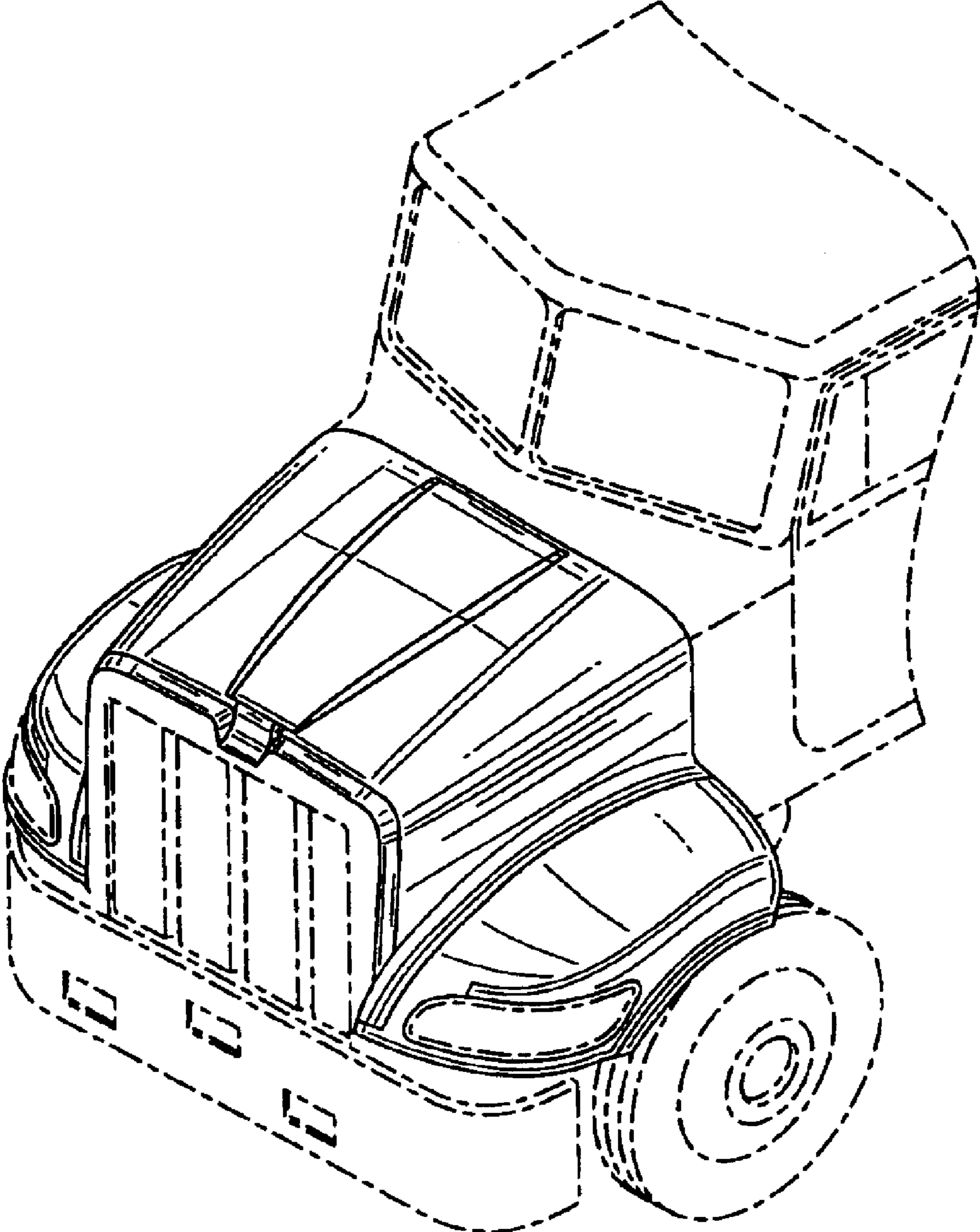


FIG. 14