

US00D502899S

(12) **United States Design Patent**
Mino et al.

(10) **Patent No.:** **US D502,899 S**
(45) **Date of Patent:** **** Mar. 15, 2005**

(54) **FRONT BUMPER FOR AN AUTOMOBILE**

D497,577 S * 10/2004 Metros et al. D12/169
D497,578 S * 10/2004 Metros et al. D12/169

(75) Inventors: **Tokuharu Mino**, Aichi-ken (JP);
D'Aprile Elvio, Sophia Antipolis Cedex (FR)

OTHER PUBLICATIONS

Toyota ALTEZZA, Brochure of ALTEZZA, Oct. 2001.

(73) Assignee: **Toyota Jidosha Kabushiki Kaisha** (JP)

* cited by examiner

(**) Term: **14 Years**

Primary Examiner—Melody N. Brown
(74) *Attorney, Agent, or Firm*—Saidman DesignLaw Group

(21) Appl. No.: **29/198,268**

(57) **CLAIM**

(22) Filed: **Jan. 28, 2004**

The ornamental design for a front bumper for an automobile, as shown and described.

(51) **LOC (7) Cl.** **12-16**

(52) **U.S. Cl.** **D12/169**

(58) **Field of Search** D12/90-92, 86,
D12/169, 196; 296/180.1, 180.2; 293/102,
113, 115, 117, 120

DESCRIPTION

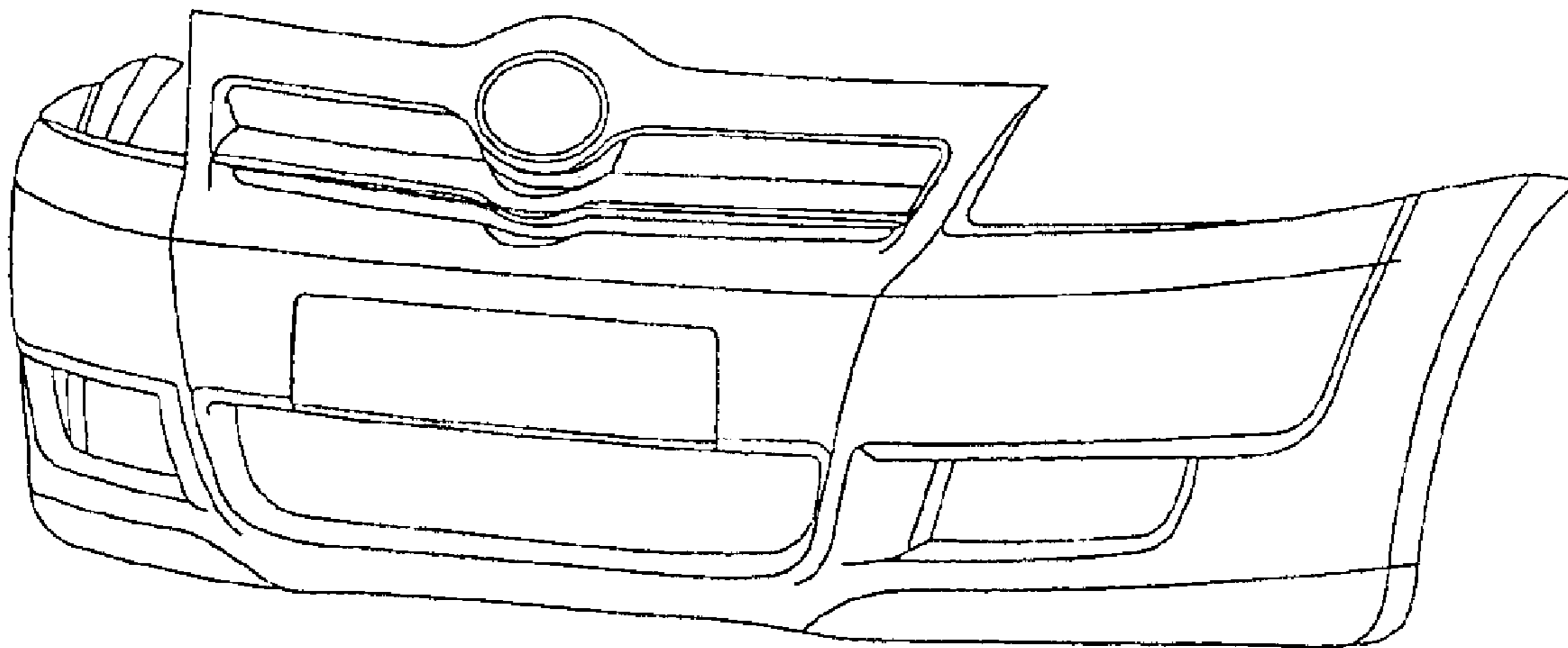
FIG. 1 is a perspective view of a front bumper for an automobile showing our new design; FIG. 2 is a front view thereof; FIG. 3 is a rear view thereof; FIG. 4 is a top view thereof; FIG. 5 is a bottom view thereof; and, FIG. 6 is a left-side view thereof, with the right-side view being a mirror image.

(56) **References Cited**

U.S. PATENT DOCUMENTS

D449,027 S * 10/2001 Nakamuta D12/196
D472,856 S * 4/2003 Oishi et al. D12/169
D492,627 S * 7/2004 Metros et al. D12/169
D494,898 S * 8/2004 Metros et al. D12/169

1 Claim, 4 Drawing Sheets



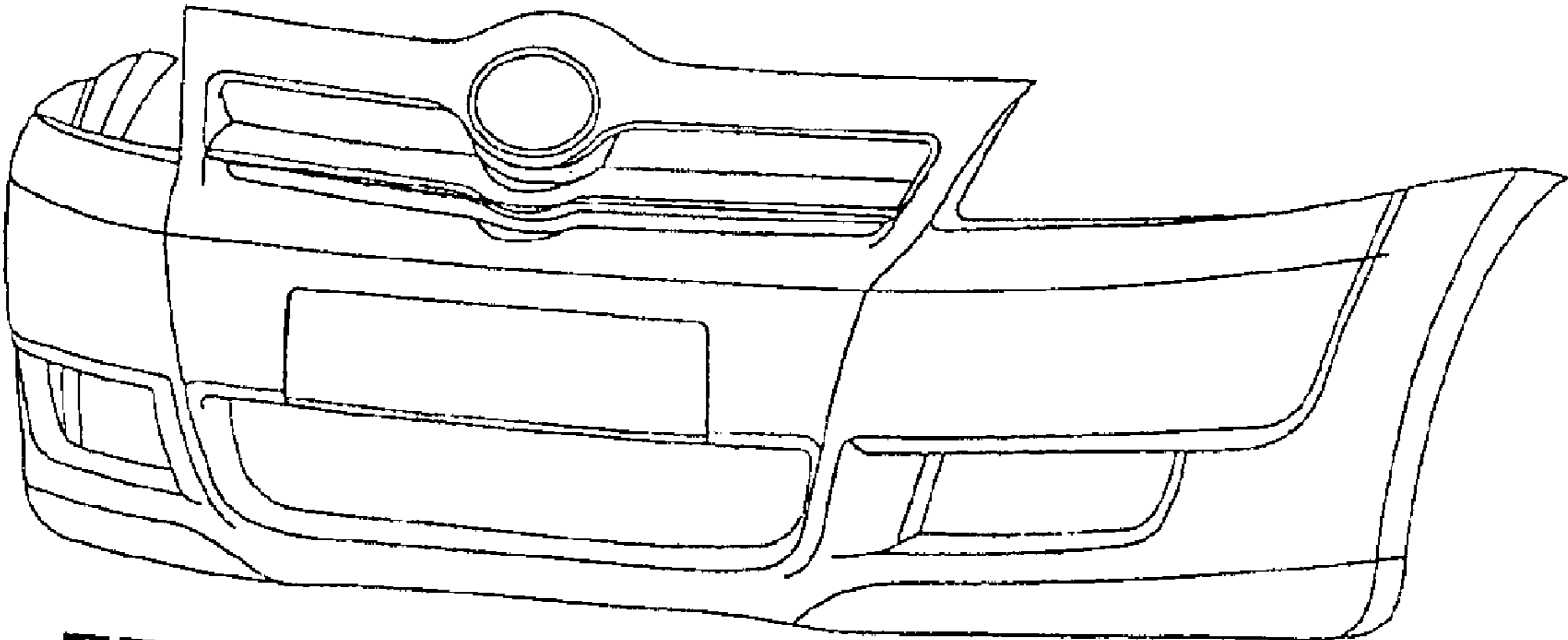


FIG. 1

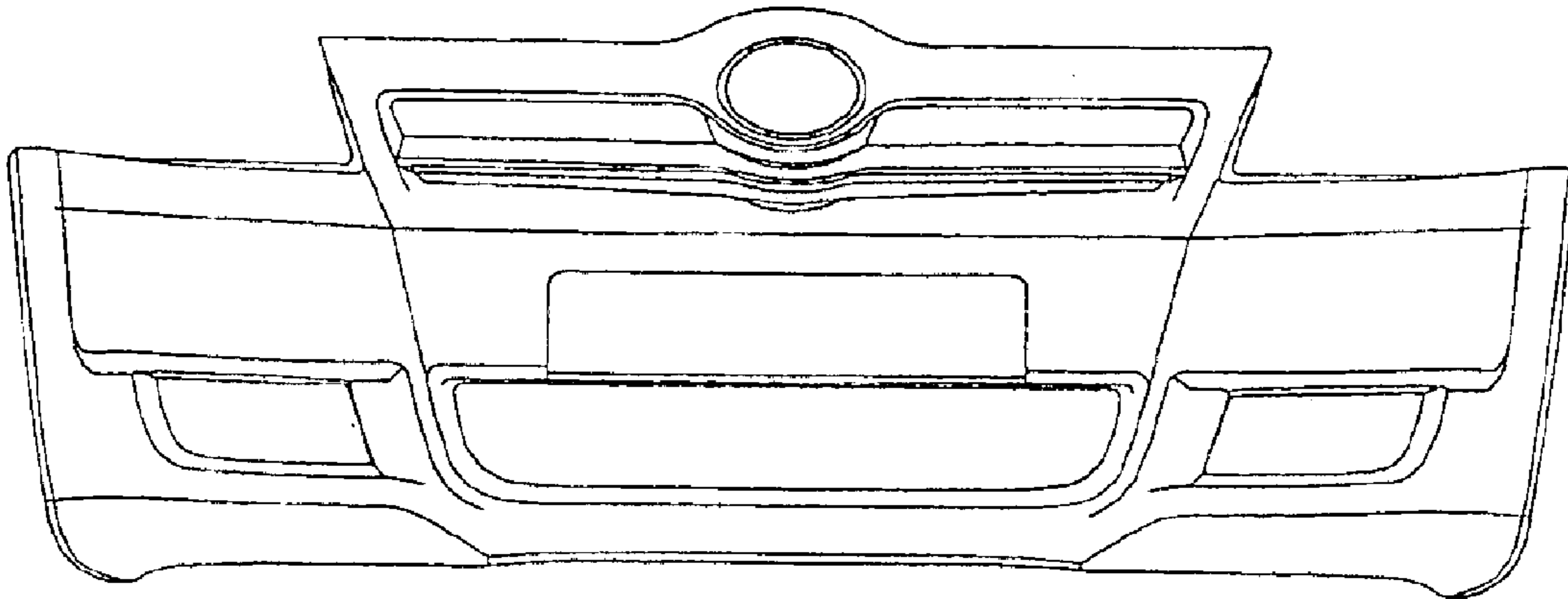


FIG. 2

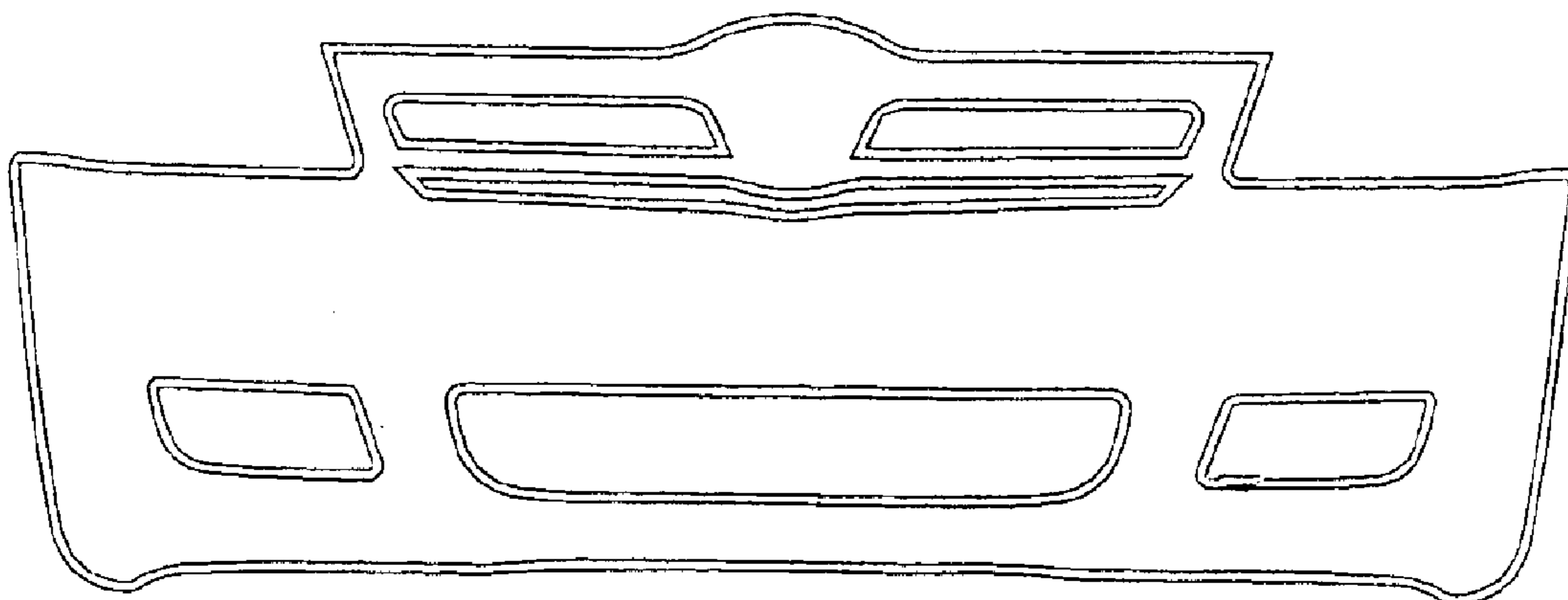


FIG. 3

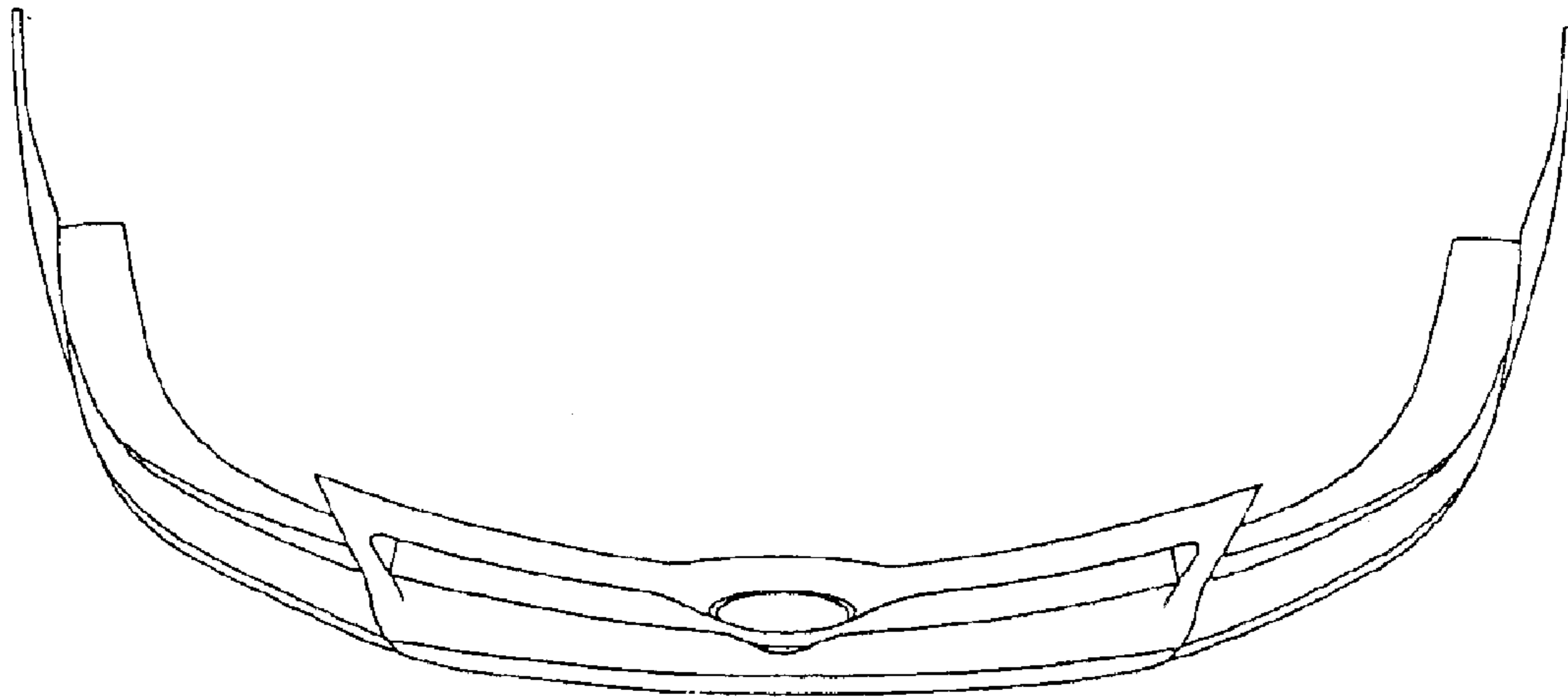


FIG. 4

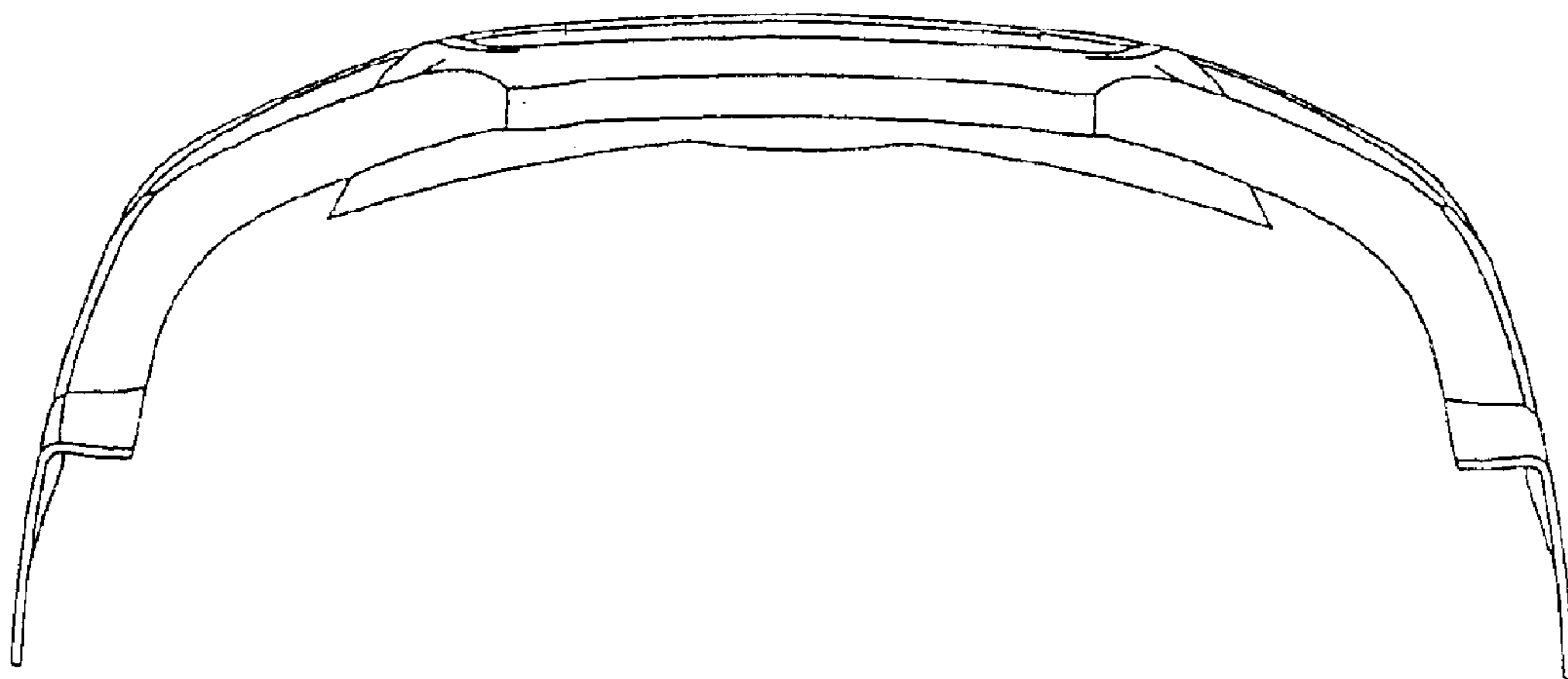


FIG. 5

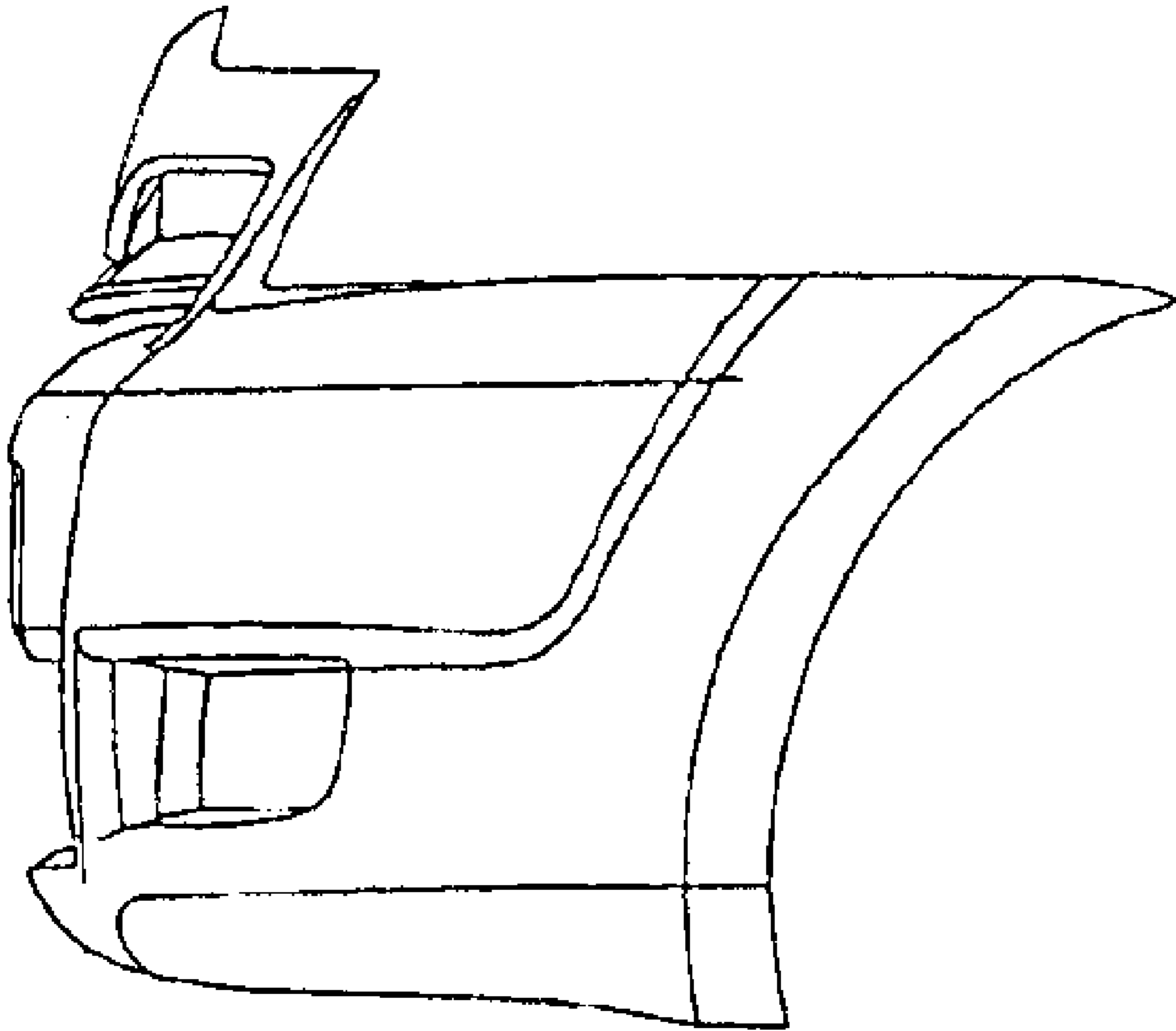


FIG. 6