



US00D502897S

(12) **United States Design Patent**
Delashaw et al.

(10) **Patent No.:** **US D502,897 S**
(45) **Date of Patent:** **** Mar. 15, 2005**

(54) **HOOD CROWN FOR A TRUCK VEHICLE**

D412,874 S * 8/1999 Meryman et al. D12/163
D425,835 S * 5/2000 Cook et al. D12/163
D497,581 S * 10/2004 Conway et al. D12/173

(75) Inventors: **Bryan W. Delashaw**, Frisco, TX (US);
Louis D. Heilaneh, Lewisville, TX
(US)

* cited by examiner

(73) Assignee: **Paccar Inc**, Bellevue, WA (US)

Primary Examiner—Melody N. Brown
(74) *Attorney, Agent, or Firm*—Sidley Austin Brown &
Wood LLP

(**) Term: **14 Years**

(57) **CLAIM**

(21) Appl. No.: **29/198,540**

The ornamental design for a hood crown for a truck vehicle,
as shown and described.

(22) Filed: **Jan. 30, 2004**

(51) **LOC (7) Cl.** **12-16**

DESCRIPTION

(52) **U.S. Cl.** **D12/163**

(58) **Field of Search** D12/163, 93, 96,
D12/173; 180/68.1, 68.6; 296/190, 194

FIG. 1 is a perspective view of a hood crown for a truck
vehicle;

(56) **References Cited**

U.S. PATENT DOCUMENTS

D311,711 S * 10/1990 Marlowe et al. D12/96
D313,784 S * 1/1991 Marlow et al. D12/163
D361,968 S * 9/1995 Oyama D12/163
D389,108 S * 1/1998 Norwood et al. D12/163
D400,835 S * 11/1998 Le Quement et al. D12/163
D401,198 S * 11/1998 Mueller et al. D12/173
D405,037 S * 2/1999 Meryman et al. D12/163

FIG. 2 is a front view thereof;

FIG. 3 is a top view thereof;

FIG. 4 is a bottom view thereof;

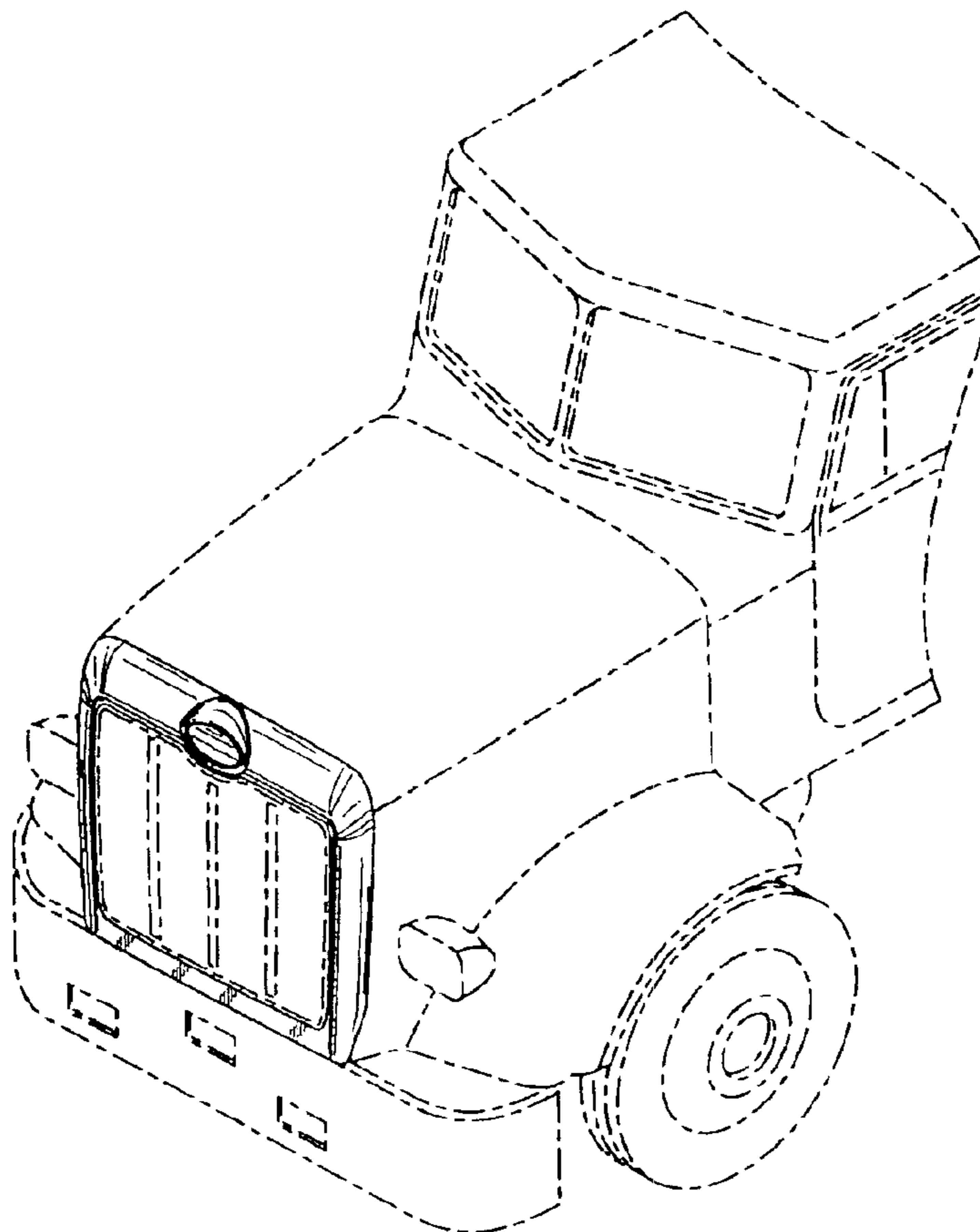
FIG. 5 is a right side view thereof;

FIG. 6 is a left side view thereof; and,

FIG. 7 is a second perspective view thereof.

Parts shown in broken lines are for illustrative purposes only
and form no part of the claimed design.

1 Claim, 3 Drawing Sheets



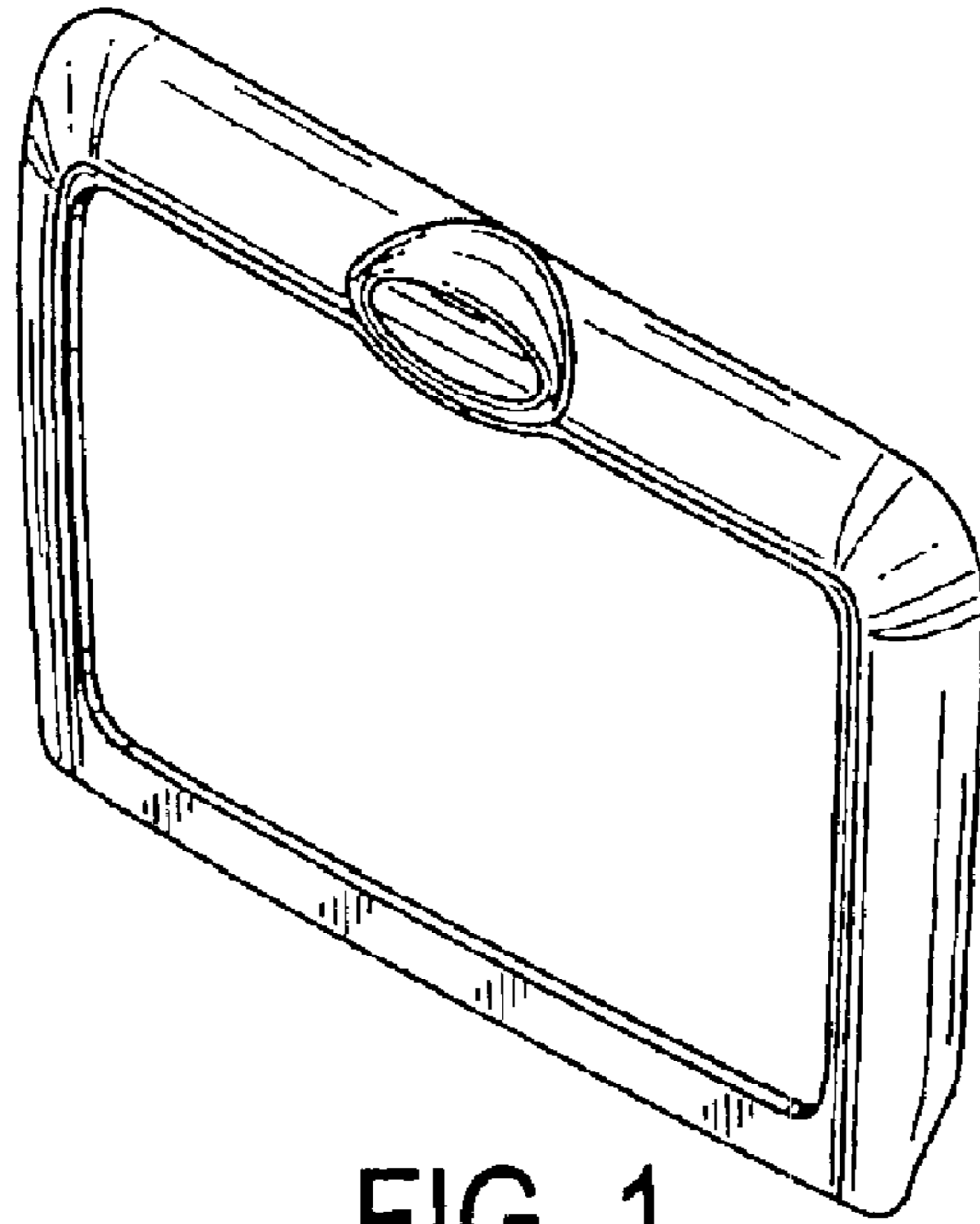


FIG. 1

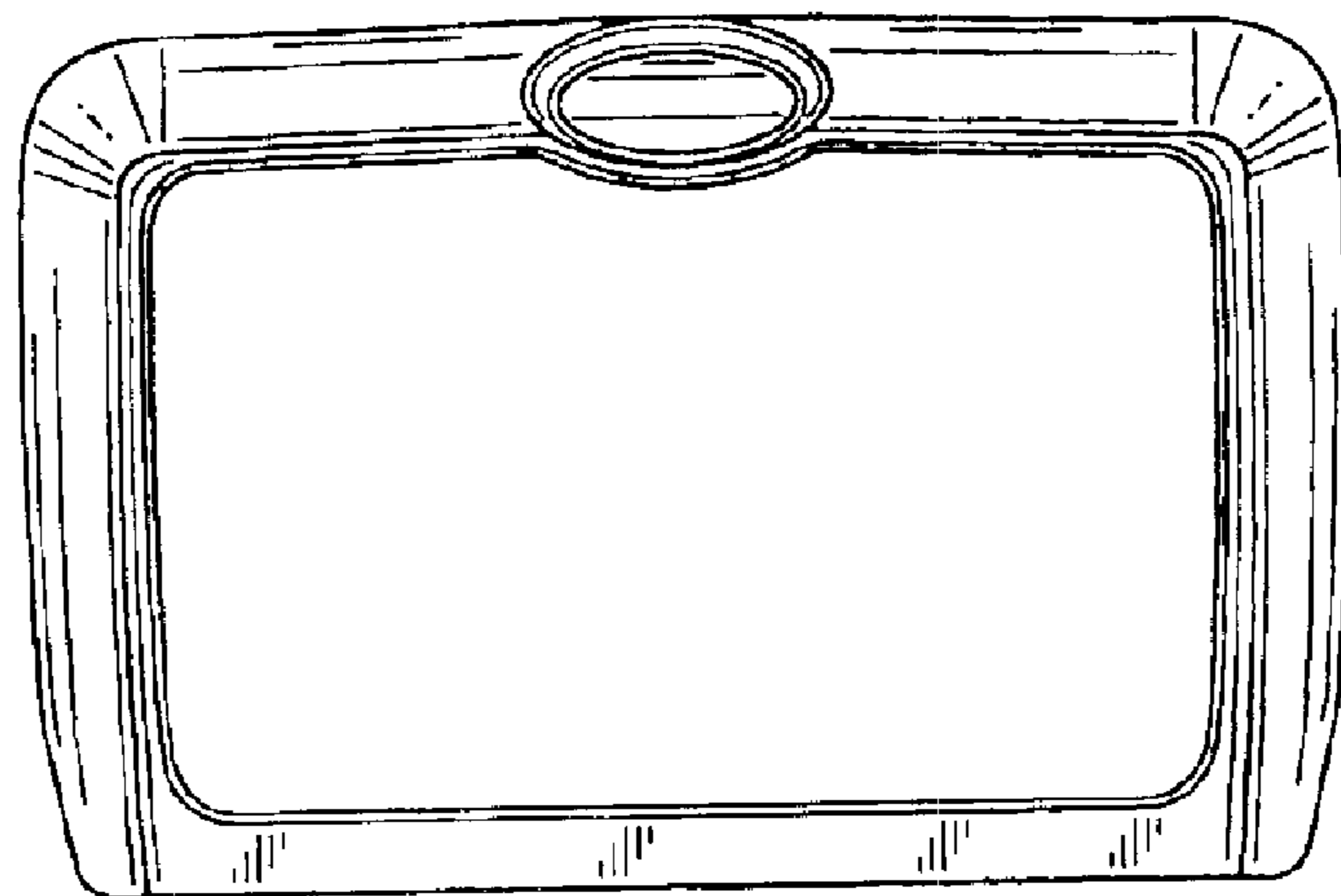


FIG. 2



FIG. 3



FIG. 4



FIG. 5



FIG. 6

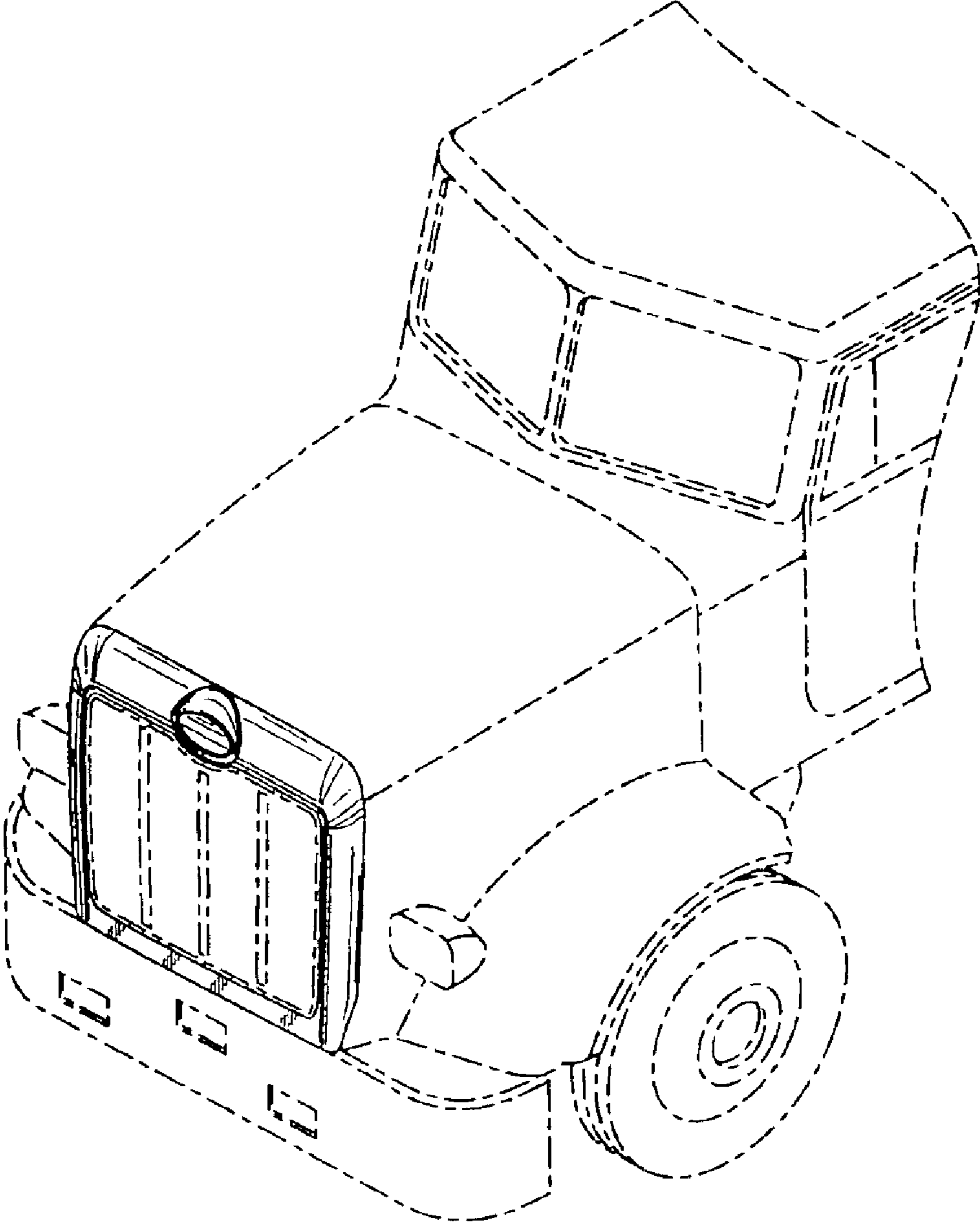


FIG. 7