

US00D502890S

(12) **United States Design Patent**  
**Harbaugh**

(10) **Patent No.:** **US D502,890 S**  
(45) **Date of Patent:** **\*\* Mar. 15, 2005**

(54) **PLANTER**

(76) **Inventor:** **Kenneth A. Harbaugh**, 9886  
Riverwood Ct., Douglasville, GA (US)  
30135

(\*\*) **Term:** **14 Years**

(21) **Appl. No.:** **29/191,496**

(22) **Filed:** **Oct. 8, 2003**

(51) **LOC (7) Cl.** ..... **11-02**

(52) **U.S. Cl.** ..... **D11/151; D11/152; D11/153**

(58) **Field of Search** ..... **D11/143, 148-149,**  
**D11/151-154; D6/403-404; 47/65.5, 65.7,**  
**67, 71-72; 206/423; 248/27.8; D7/518,**  
**521, 560, 564, 565, 585**

(56) **References Cited**

**U.S. PATENT DOCUMENTS**

D10,618 S \* 4/1878 Tweeddale ..... D11/148

D213,450 S \* 3/1969 Black ..... D11/150  
D230,367 S \* 2/1974 Neels ..... D11/148  
D479,483 S \* 9/2003 Harbaugh ..... D11/151

\* cited by examiner

*Primary Examiner*—Stacia Cadmus

*Assistant Examiner*—Mimosa De

(74) *Attorney, Agent, or Firm*—Kilpatrick Stockton LLP

(57) **CLAIM**

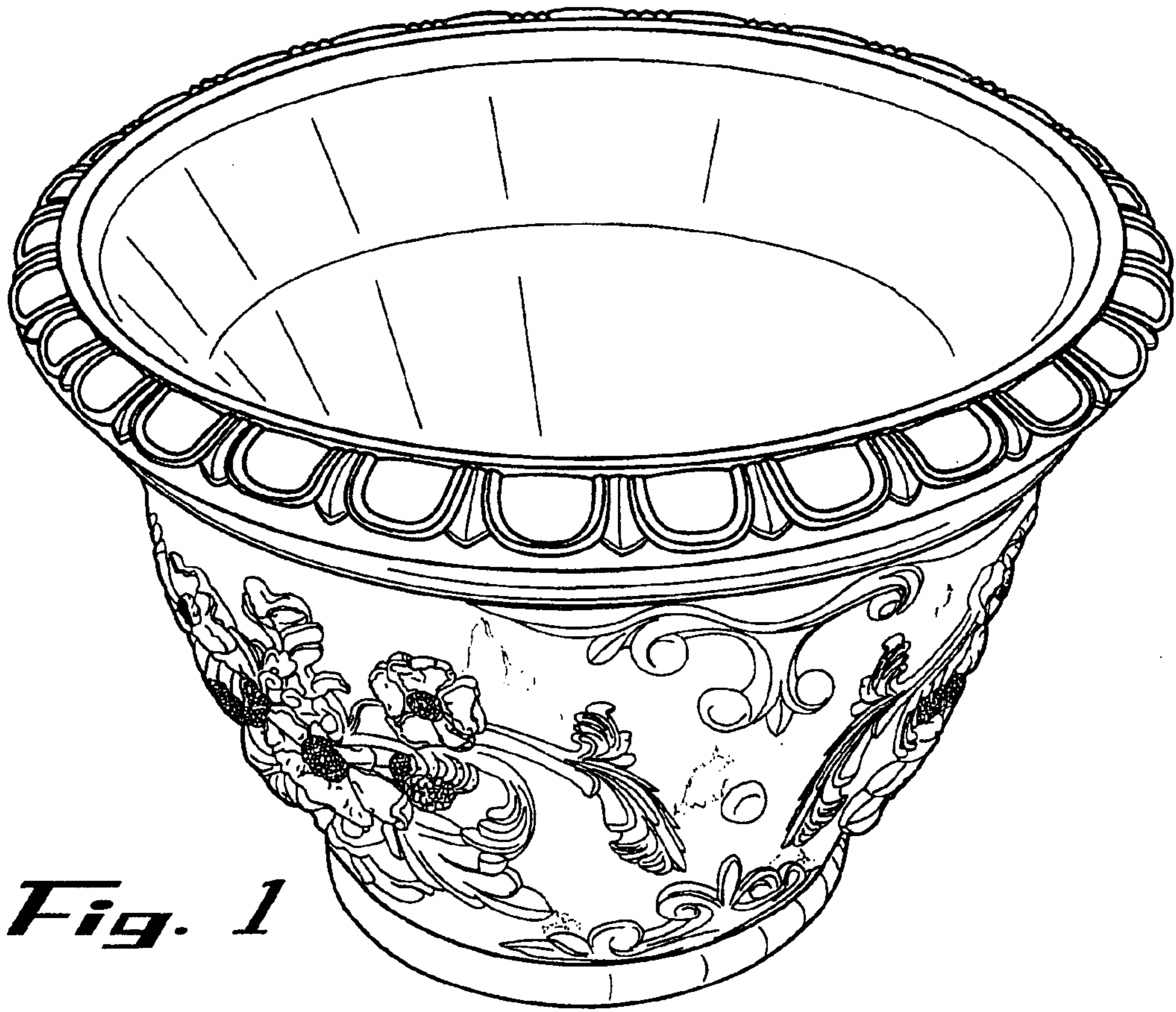
The ornamental design for a planter, substantially as shown and described.

**DESCRIPTION**

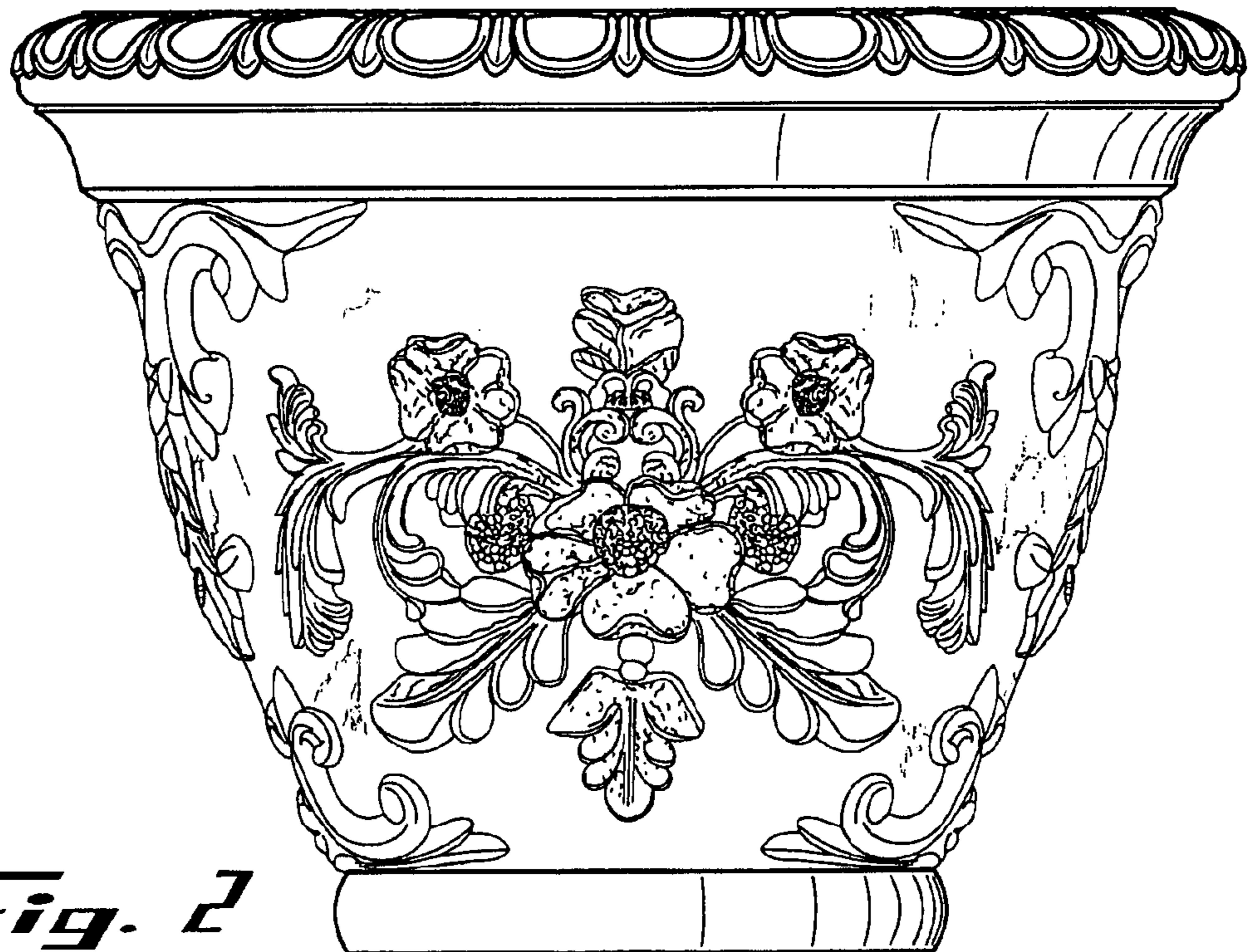
FIG. 1 is a perspective view of the planter;  
FIG. 2 is a front view thereof, the rear view being the same;  
FIG. 3 is a side view thereof, both sides being the same;  
FIG. 4 is a top view thereof; and,  
FIG. 5 is a bottom view thereof.

**1 Claim, 3 Drawing Sheets**





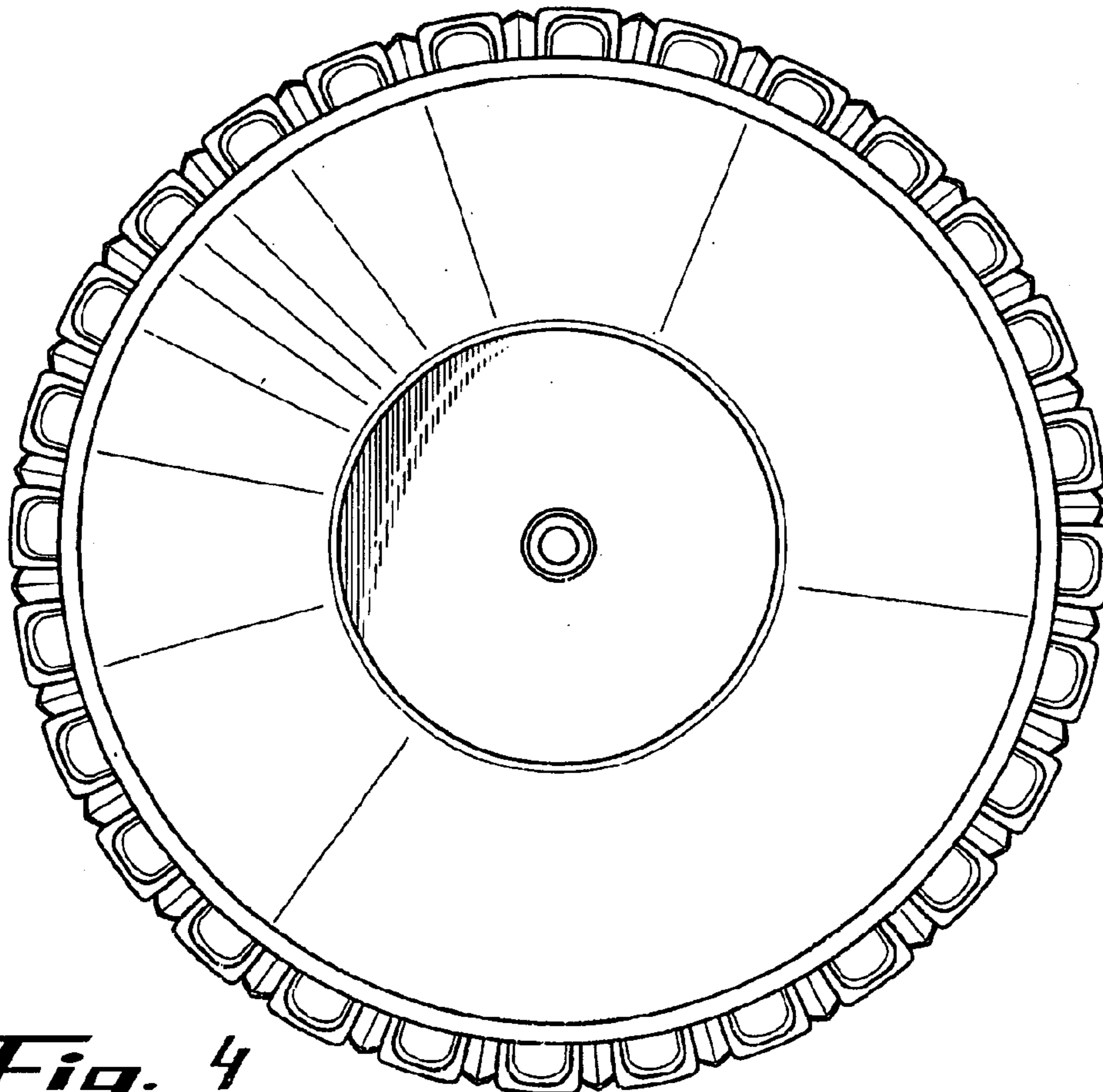
*Fig. 1*



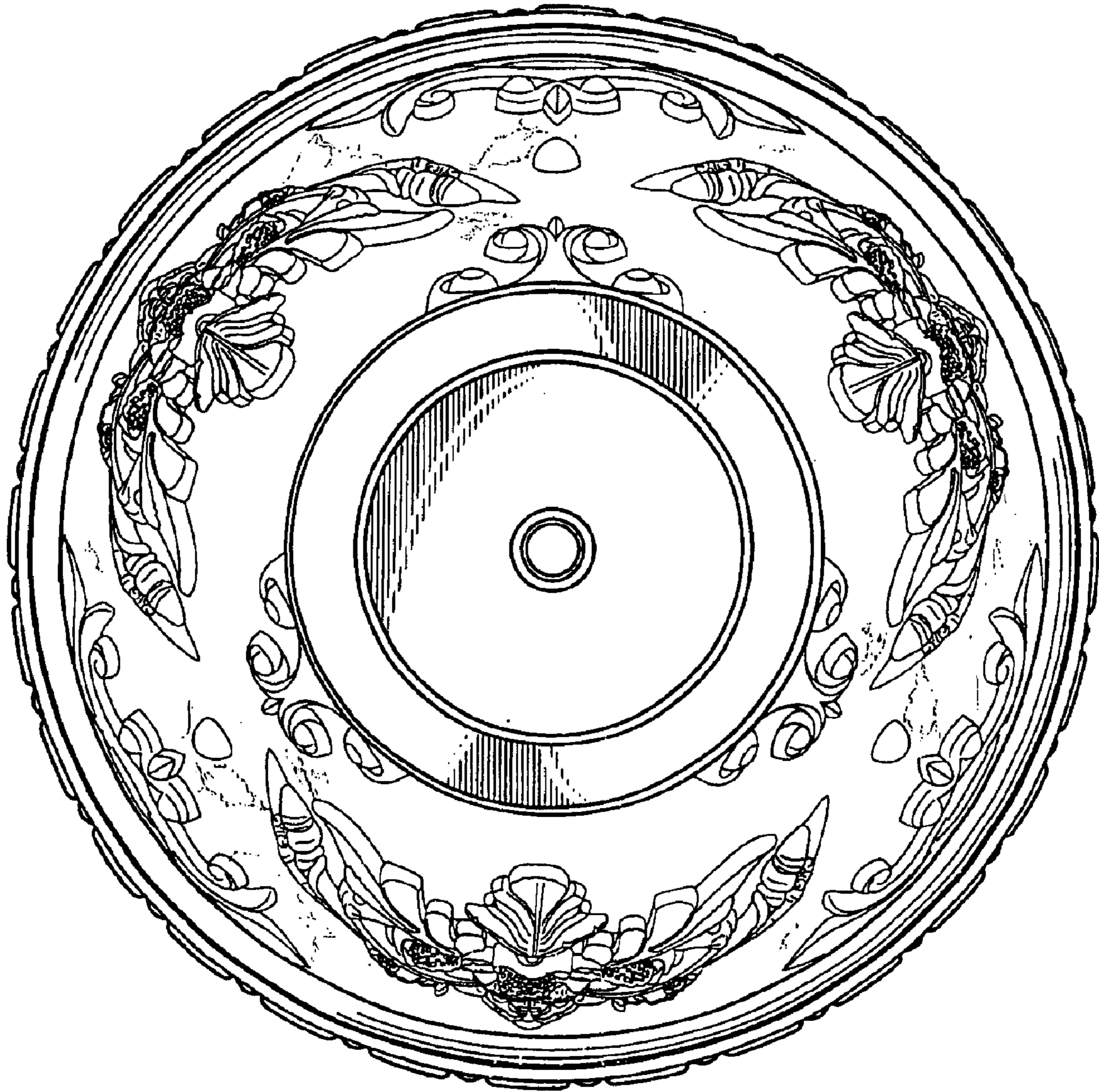
*Fig. 2*



*Fig. 3*



*Fig. 4*



*Fig. 5*