

US00D502877S

(12) **United States Design Patent** (10) **Patent No.:** **US D502,877 S**
Stockwell et al. (45) **Date of Patent:** **** Mar. 15, 2005**

(54) **BOTTLE PORTION**

(75) Inventors: **Machelle D. Stockwell**, Bradenton, FL (US); **Stuart Leslie**, Larchmont, NY (US); **Charles A. Curtiss**, Norwalk, CT (US); **Tomohito Asano**, New York, NY (US); **David Deemer**, Adrian, MI (US); **Hassan Mourad**, Canton, MI (US)

JP	D1165427	2/2003
NZ	26170	3/1994
NZ	29437	6/1998
NZ	402138	11/2001
NZ	403704	7/2003
WO	WO 01/89934 A2	11/2001
WO	WO 02/02418 A1	1/2002
WO	WO 02/02419 A1	1/2002

(73) Assignee: **Stokely-Van Camp, Inc.**, Chicago, IL (US)

(**) Term: **14 Years**

(21) Appl. No.: **29/188,009**

(22) Filed: **Aug. 11, 2003**

(51) **LOC (7) Cl.** **09-01**

(52) **U.S. Cl.** **D9/667; D9/652; D9/551; D9/557**

(58) **Field of Search** **D9/307, 332-333, D9/500-503, 516, 549-551, 562-564; 215/379-383, 400; 220/890**

(56) **References Cited**

U.S. PATENT DOCUMENTS

D24,324 S	5/1895	Estes
D224,291 S	7/1972	Mascia et al.
D227,658 S	7/1973	Bagguley et al.

(List continued on next page.)

FOREIGN PATENT DOCUMENTS

AU	635900	6/1991
CH	DM/053253	11/1999
CN	3096572D	12/1998
CN	3096573D	12/1998
CN	2312179 Y	3/1999
GB	2100091	6/2001
GB	2100092	6/2001
GB	2100093	6/2001
GB	2100094	6/2001
JP	3289435	12/1991
JP	D1099363	2/2001
JP	2002193229	7/2002

OTHER PUBLICATIONS

English Abstract of JP 2002193229, Jul. 10, 2002, Mitsubishi Plastics Ind Ltd., Takeda Akira.

English Abstract of JP 3289435, Dec. 19, 1991, Toyo Seikan Kaisha Ltd., Takakusaki Nobuyuki, et al.

Primary Examiner—Sandra L. Morris

(74) *Attorney, Agent, or Firm*—Lars S. Johnson; James D. Ryndak

(57) **CLAIM**

The ornamental design for a bottle portion, as shown and described.

DESCRIPTION

FIG. 1 is a perspective view of a bottle portion showing the new design;

FIG. 2 is an elevational view thereof, the opposite elevational view being identical;

FIG. 3 is another elevational view thereof, representing a half rotation of the bottle portion about its vertical axis from the elevational view depicted in FIG. 2, the opposite elevational view being identical;

FIG. 4 is a top plan view thereof;

FIG. 5 is a bottom plan view thereof;

FIG. 6 is a perspective view of a second embodiment of a bottle portion showing the new design;

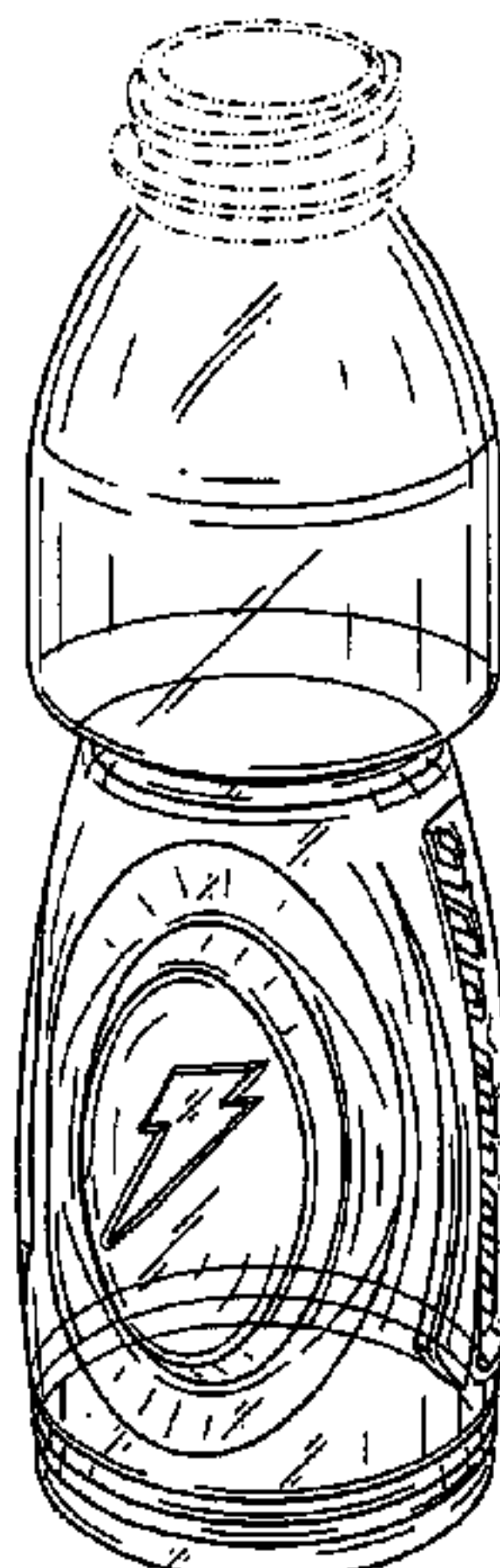
FIG. 7 is an elevational view thereof, the opposite elevational view being identical;

FIG. 8 is another elevational view thereof, representing a half rotation of the bottle portion about its vertical axis from the elevational view depicted in FIG. 7, the opposite elevational view being identical;

FIG. 9 is a top plan view thereof; and,

FIG. 10 is a bottom plan view thereof.

1 Claim, 4 Drawing Sheets



U.S. PATENT DOCUMENTS

D294,464 S	3/1988	Rogler	D438,456 S	*	3/2001	Bretz et al.	D9/307
4,749,092 A	6/1988	Sugiura et al.	D442,474 S	*	5/2001	Piccioli et al.	D9/307
4,863,046 A	9/1989	Collette et al.	D446,112 S		8/2001	Bretz et al.	
4,877,141 A	10/1989	Hayashi et al.	D446,446 S	*	8/2001	Bretz et al.	D9/307
4,890,752 A	1/1990	Ota et al.	D446,711 S	*	8/2001	Bretz et al.	D9/307
D320,455 S	10/1991	Malcolm	D447,411 S		9/2001	Lichtman et al.	
D320,859 S	10/1991	Malcolm	D448,664 S		10/2001	Lichtman et al.	
D331,017 S	11/1992	Chan	6,347,717 B1		2/2002	Eberle	
5,178,289 A	1/1993	Krishnakumar et al.	D454,068 S		3/2002	Hanson	
D333,704 S	3/1993	Malcolm	D459,234 S		6/2002	Bourque et al.	
5,215,203 A	6/1993	Malcolm	D460,696 S		7/2002	Goettner	
D347,066 S	5/1994	Malcolm et al.	D462,270 S		9/2002	Renz	
D347,793 S	6/1994	Wegner, IV et al.	6,460,714 B1		10/2002	Silvers et al.	
5,337,909 A	8/1994	Vaillencourt	D465,158 S		11/2002	Peek et al.	
5,337,924 A	8/1994	Dickie	D465,412 S	*	11/2002	Addis et al.	D9/332
5,341,946 A	8/1994	Vaillencourt et al.	D466,414 S		12/2002	Venkataraman et al.	
D352,238 S	11/1994	Vaillencourt et al.	D466,819 S	*	12/2002	Darr et al.	D9/516
D352,245 S	11/1994	Krishnakumar et al.	D469,695 S		2/2003	Bryant et al.	
5,385,250 A	* 1/1995	Pasquale 215/374	D469,696 S		2/2003	Bryant et al.	
D358,766 S	5/1995	Vaillencourt et al.	D470,773 S		2/2003	Darr et al.	
D364,565 S	11/1995	Vaillencourt et al.	6,554,146 B1		4/2003	DeGroff et al.	
D365,638 S	12/1995	Young	6,575,321 B2		6/2003	Bourque et al.	
5,735,420 A	4/1998	Nakamaki et al.	6,585,125 B1		7/2003	Peek	
D411,453 S	6/1999	Piccioli et al.	D478,278 S	*	8/2003	Masotta et al.	D9/332
5,971,184 A	10/1999	Krishnakumar et al.	D480,313 S		10/2003	Johnson et al.	
D419,882 S	2/2000	Bretz et al.	D480,957 S		10/2003	Mooney et al.	
D423,365 S	4/2000	Eberle et al.	2002/0017502 A1		2/2002	Renz	
6,062,409 A	5/2000	Eberle	2002/0104820 A1		8/2002	Hong et al.	
D427,905 S	7/2000	Eberle	2003/0015491 A1		1/2003	Melrose et al.	
D434,330 S	11/2000	Rowe et al.	2003/0168425 A1		9/2003	Yourist	
D435,795 S	1/2001	Bretz et al.	2003/0168426 A1		9/2003	Yourist	
D438,455 S	3/2001	Bretz et al.	2003/0173327 A1		9/2003	Melrose	

* cited by examiner

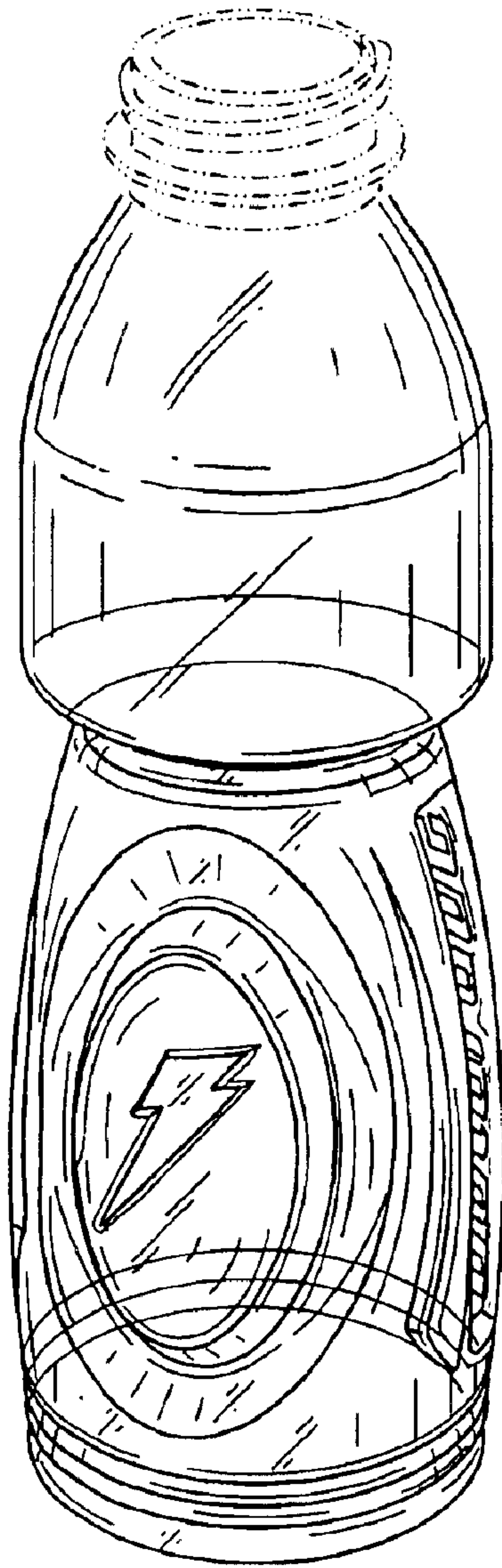


FIG. 1

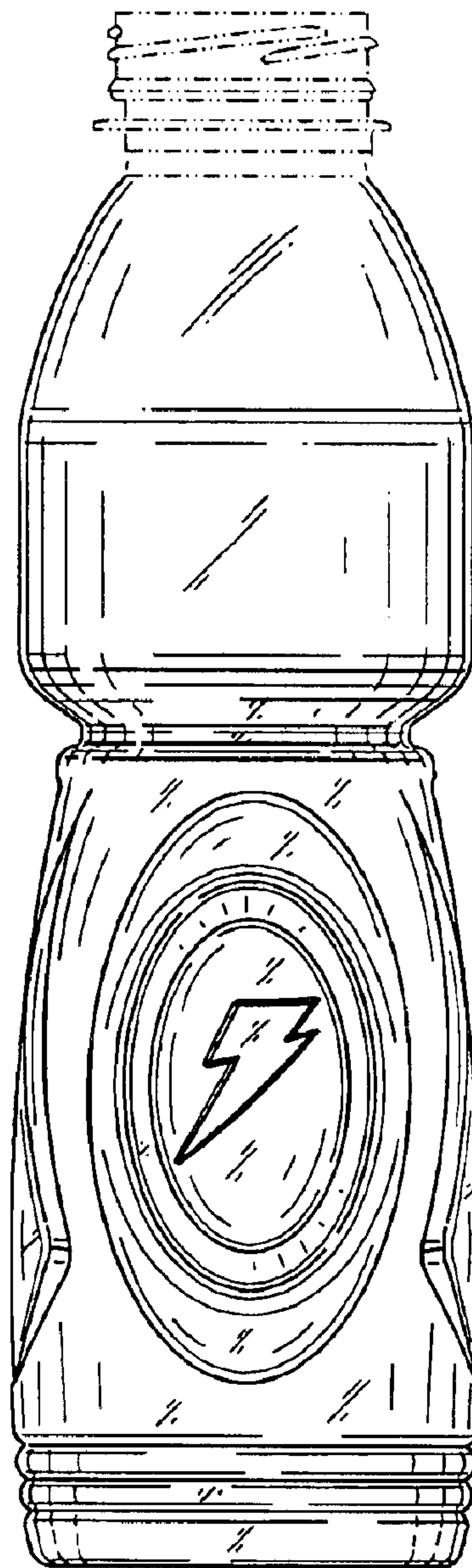


FIG. 2

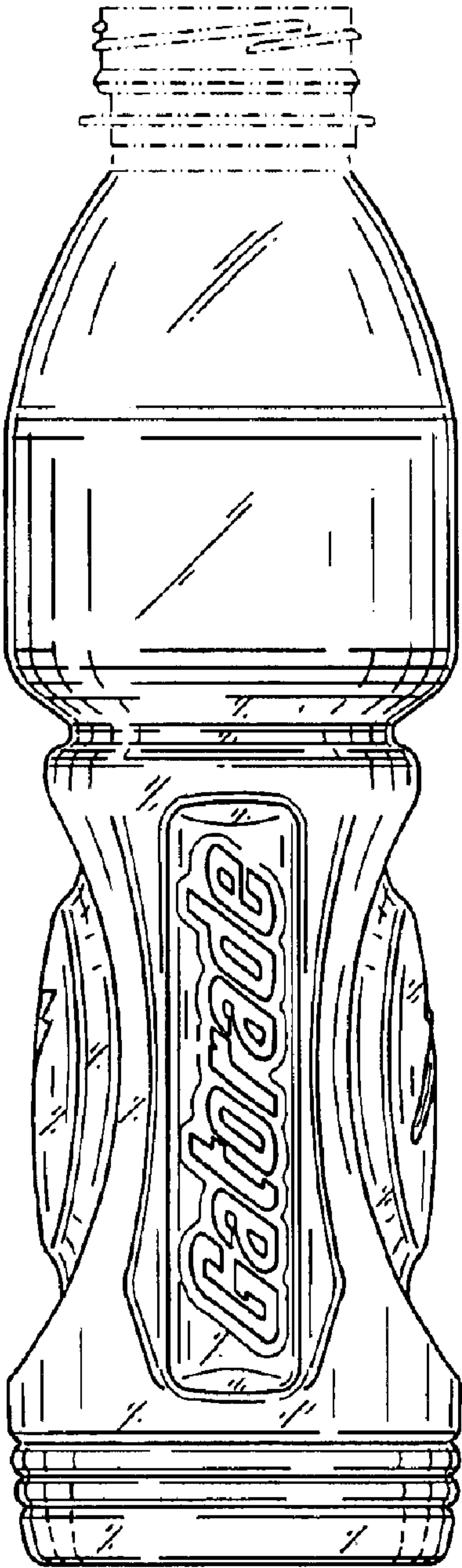


FIG. 3

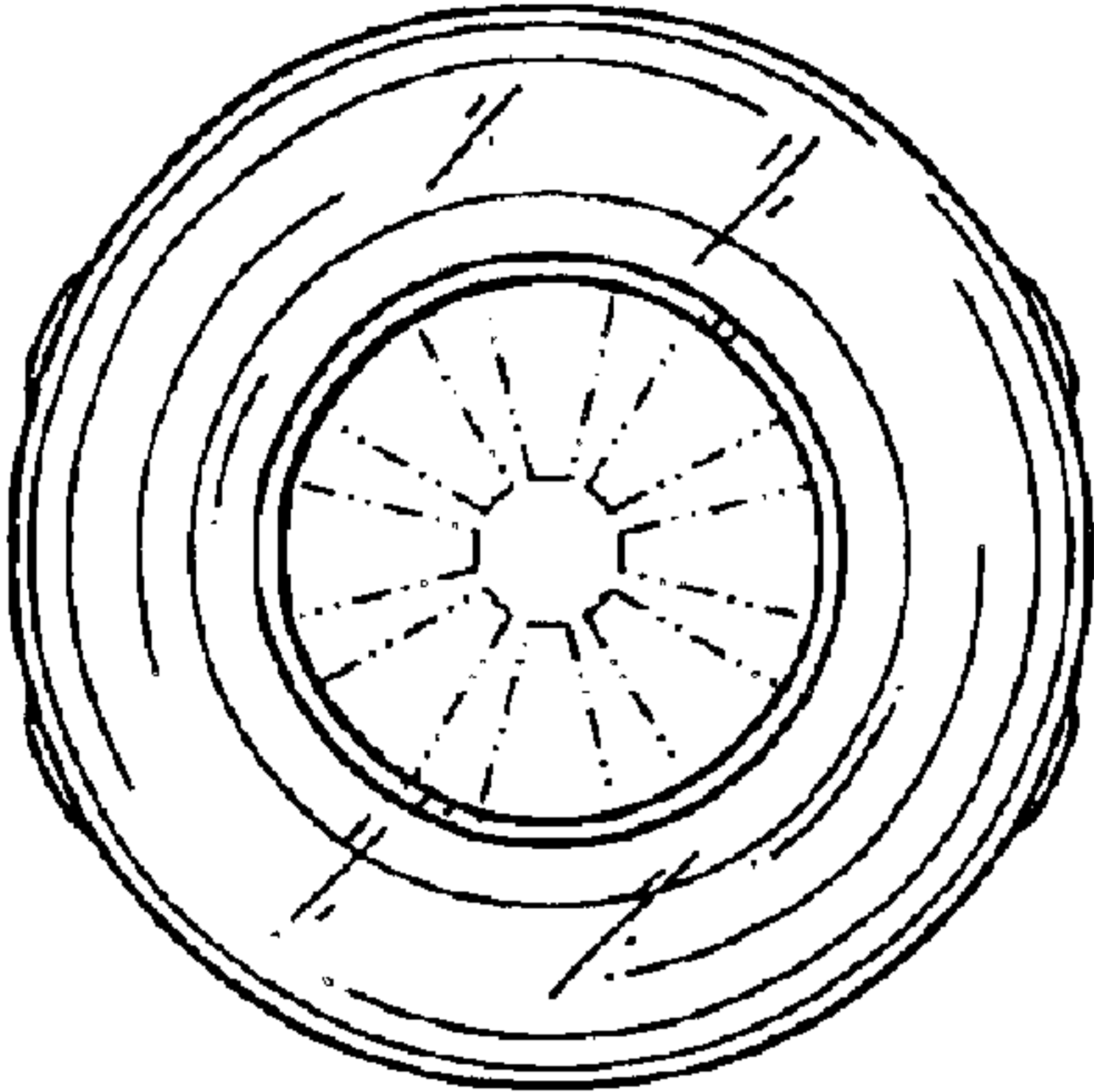


FIG. 4

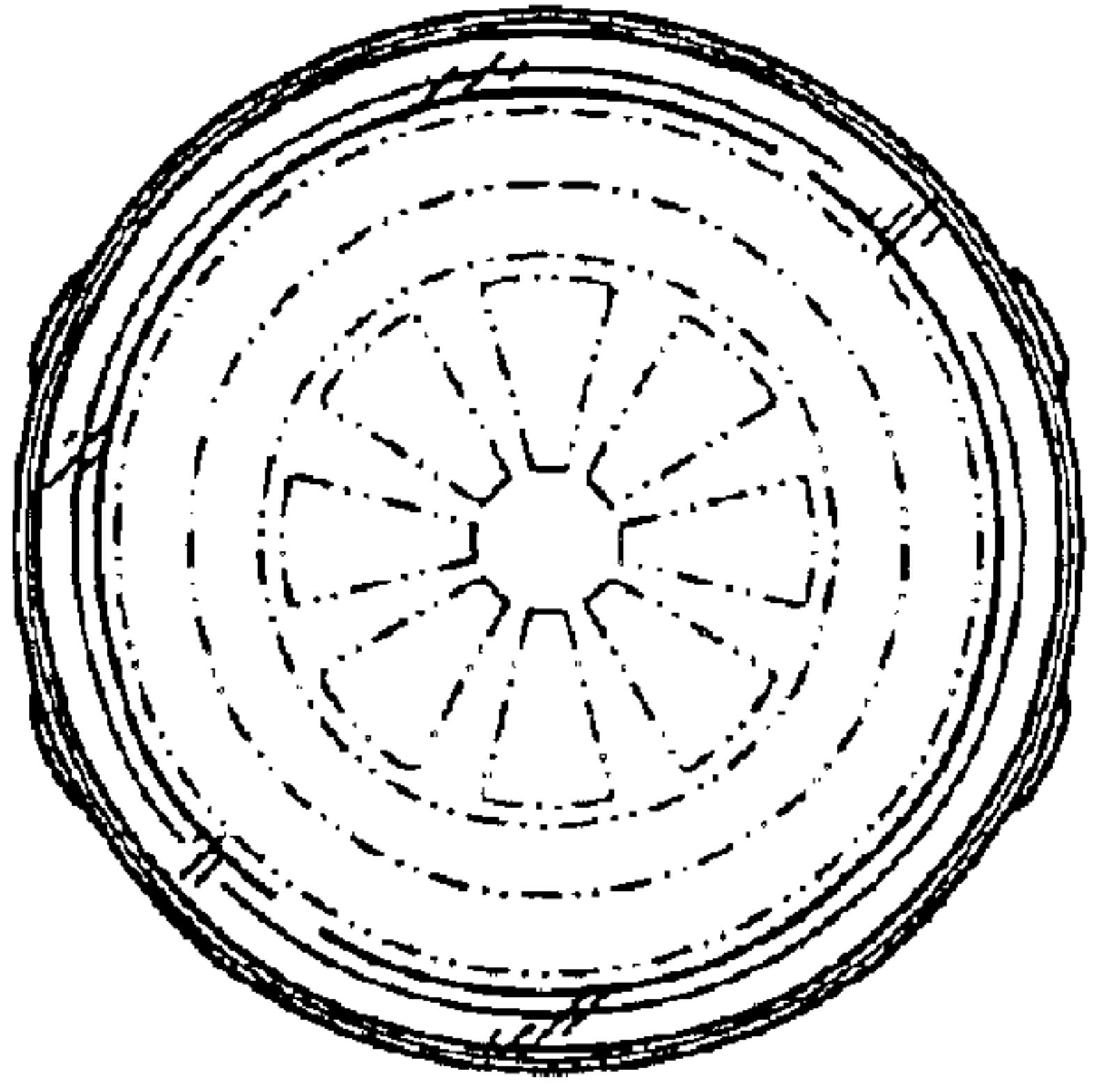


FIG. 5

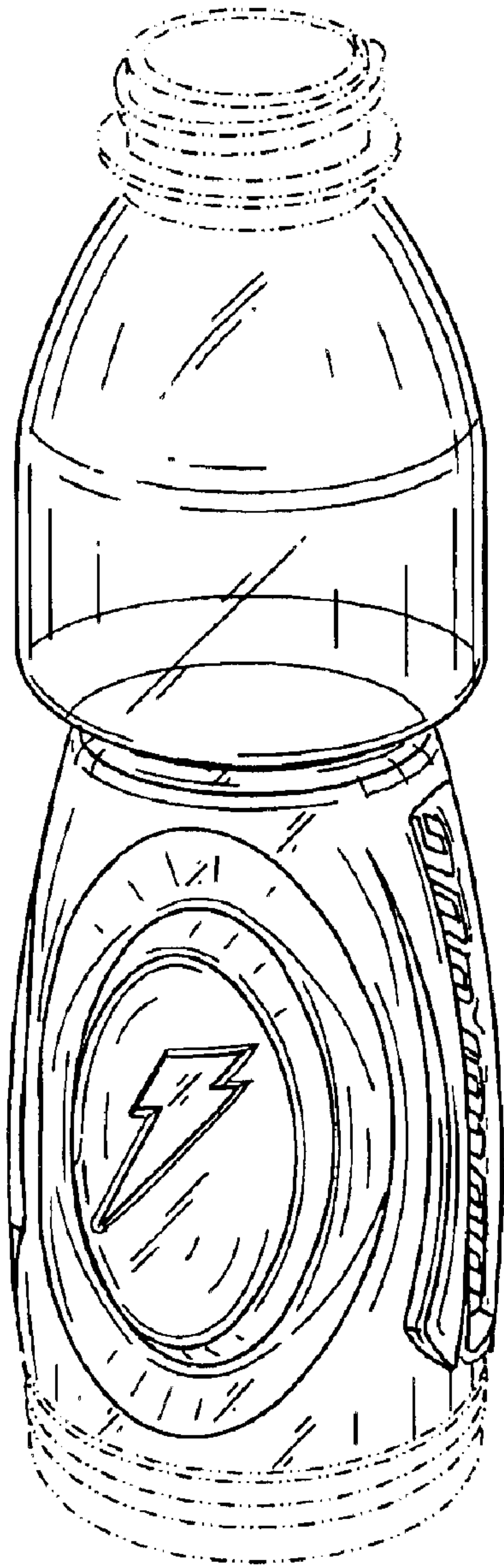


FIG. 6

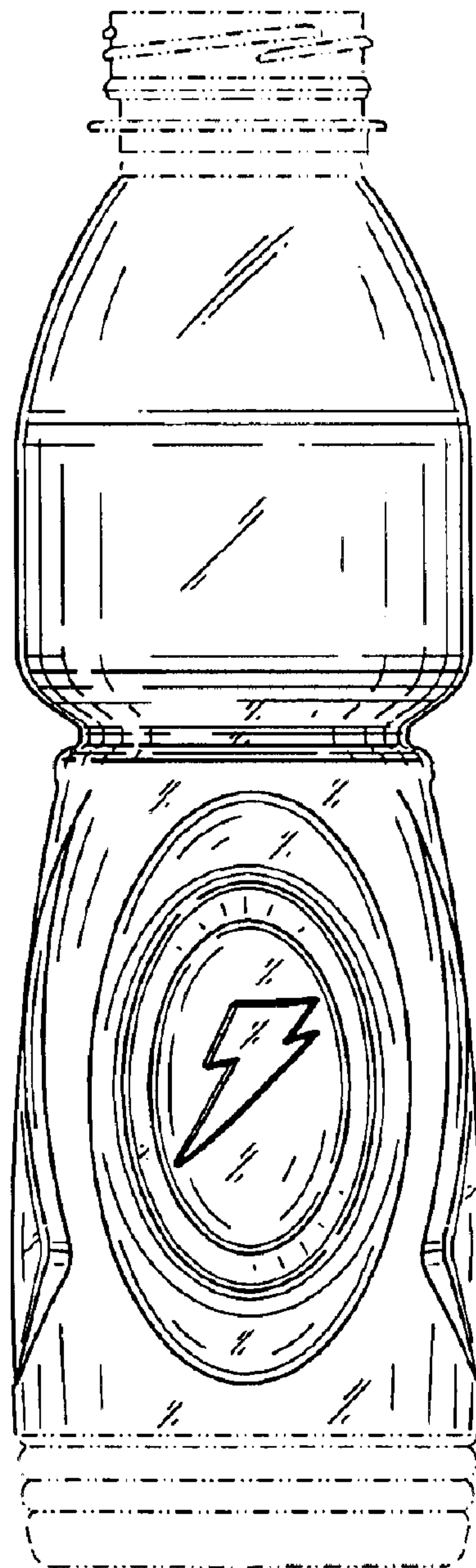


FIG. 7

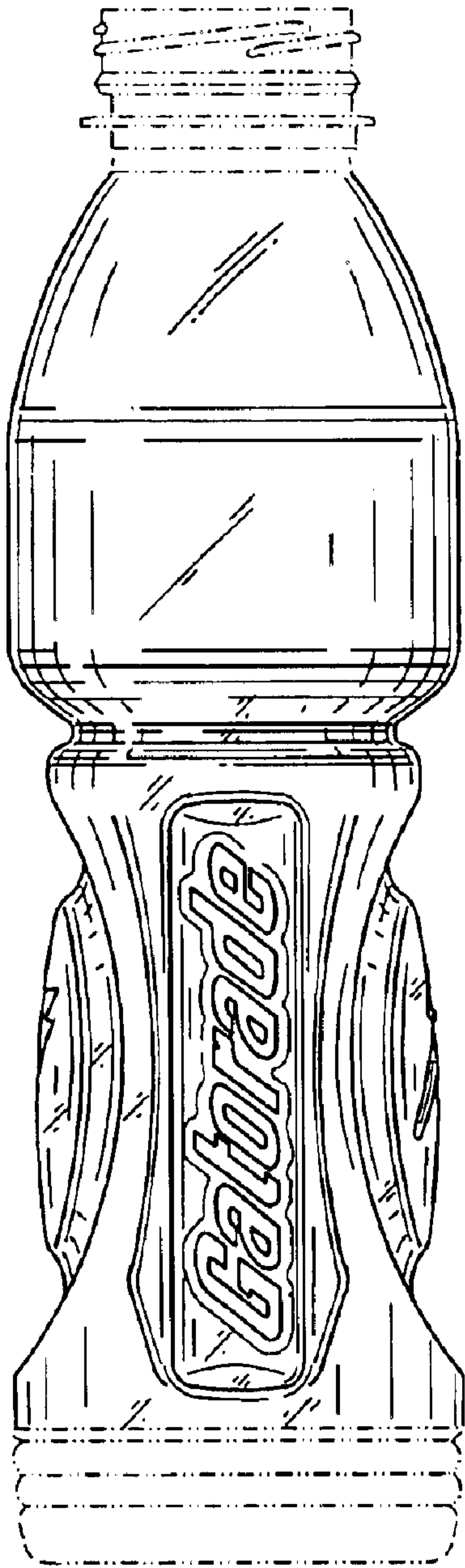


FIG. 8

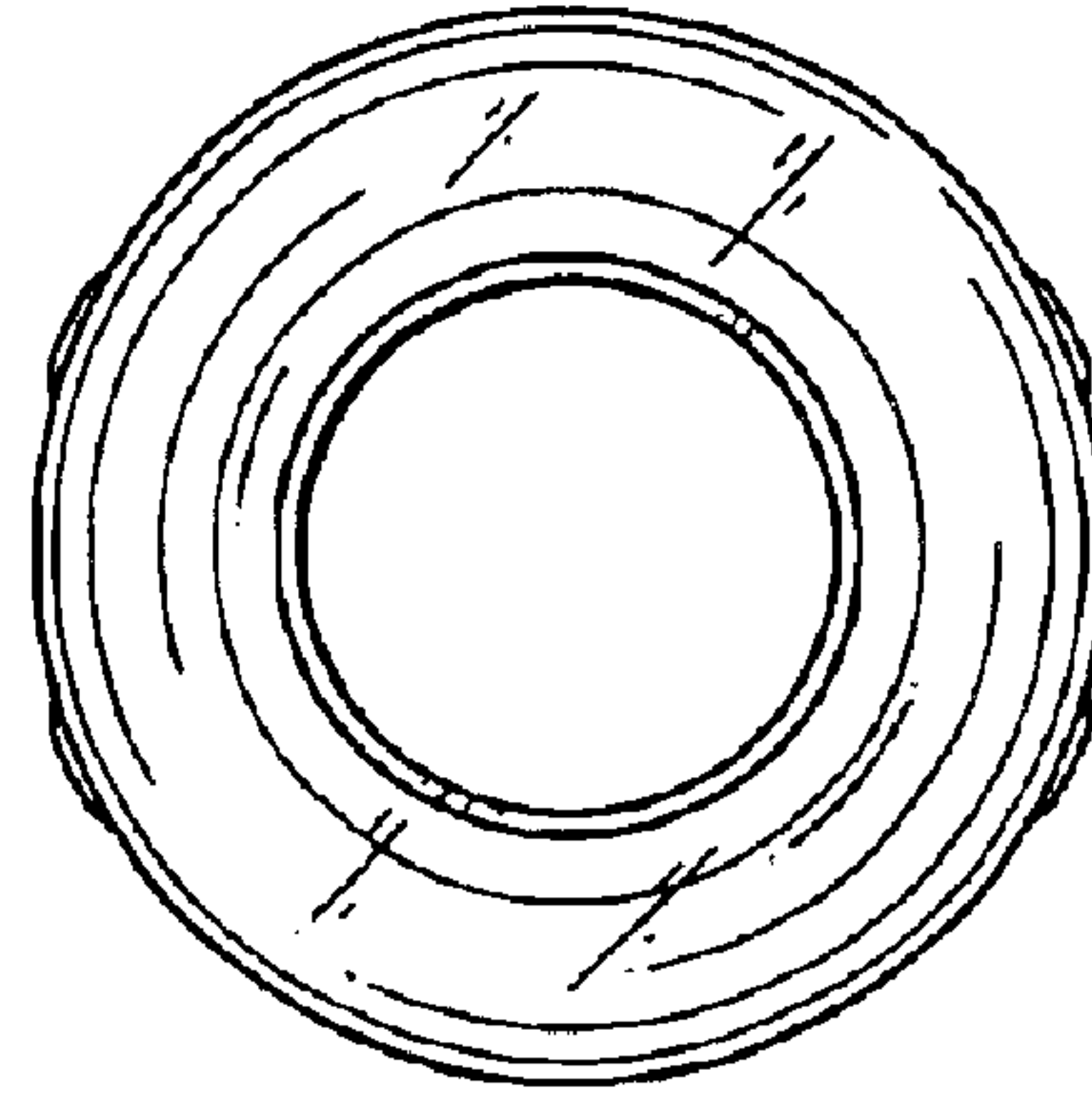


FIG. 9

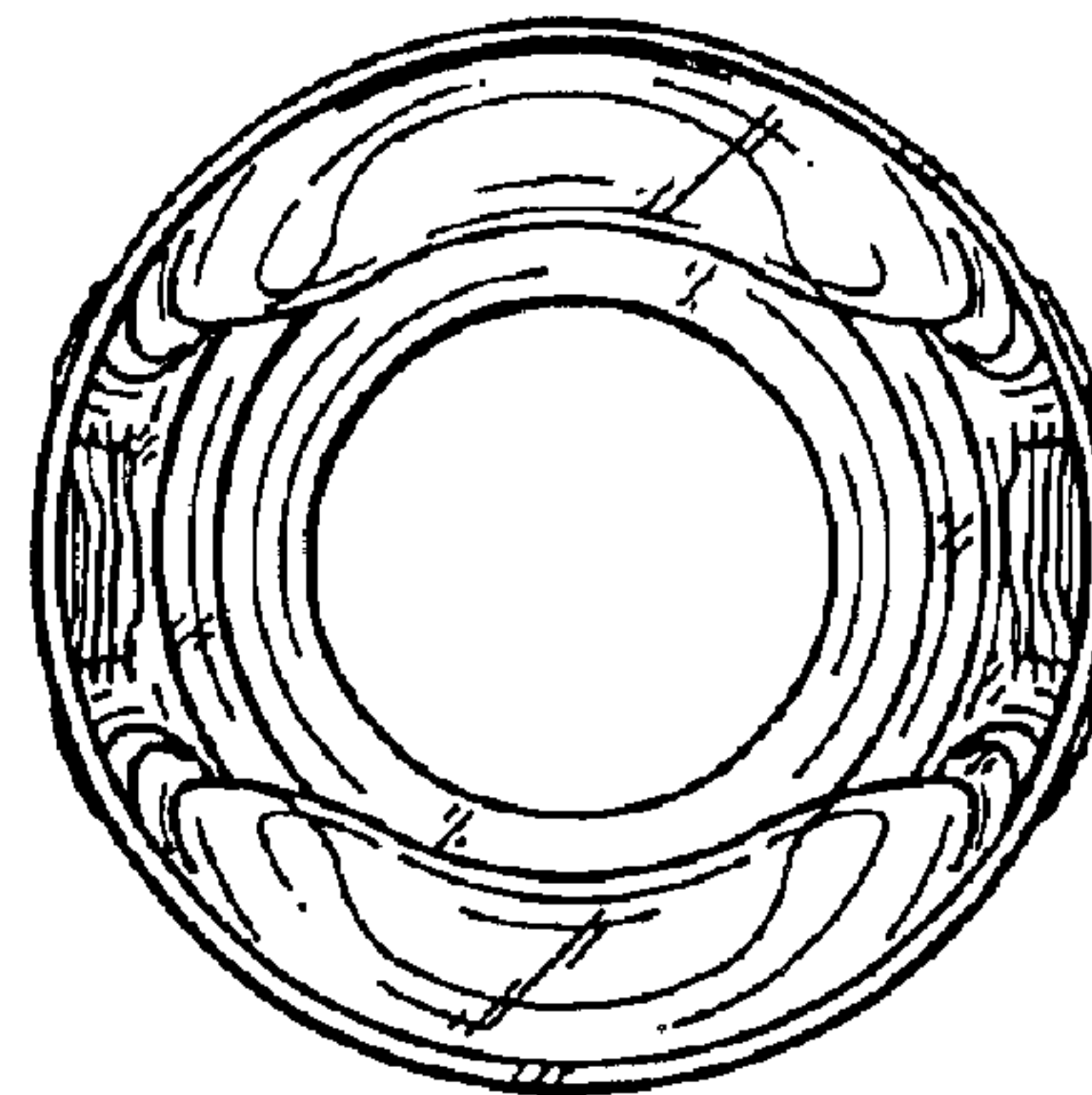


FIG. 10