



US00D502869S

(12) **United States Design Patent**
Clarke

(10) **Patent No.: US D502,869 S**
(45) **Date of Patent: ** Mar. 15, 2005**

(54) **BOX**
(75) **Inventor: Kevin William Joseph Clarke, Yaffles (GB)**
(73) **Assignee: Kevin Clarke & Co. Ltd., Hampshire (GB)**
(**) **Term: 14 Years**

3,937,389 A * 2/1976 Wind 229/406
D267,394 S * 12/1982 Liptak et al. D9/415
D309,105 S * 7/1990 Fisher et al. D9/425
5,012,971 A * 5/1991 Cozzi et al. 229/120.07
D322,757 S * 12/1991 Payne D9/425
D323,114 S * 1/1992 Sheehan D9/420
6,065,589 A * 5/2000 Ouwens 206/6.1
D437,220 S * 2/2001 Knutson et al. D9/430
6,276,529 B1 * 8/2001 Feehan, Jr. 206/469

* cited by examiner

(21) **Appl. No.: 29/192,358**
(22) **Filed: Oct. 23, 2003**
(30) **Foreign Application Priority Data**
Apr. 24, 2003 (GB) 3012296

Primary Examiner—Prabhakar Deshmukh
(74) *Attorney, Agent, or Firm*—Alfred A. Fressola; Ware, Fressola, Van Der Sluys & Adolphson LLP

(51) **LOC (7) Cl. 09-07**
(52) **U.S. Cl. D9/425; D9/429**
(58) **Field of Search D9/415, 418, 425, D9/430, 428, 429, 414, 426; D7/629; 229/406, 407, 4.5, 938, 939, 108, 116.1; 206/461-471, 216, 541; 220/253, 556, 780, 790, 791, 315, 376, 662, 669**

(57) **CLAIM**

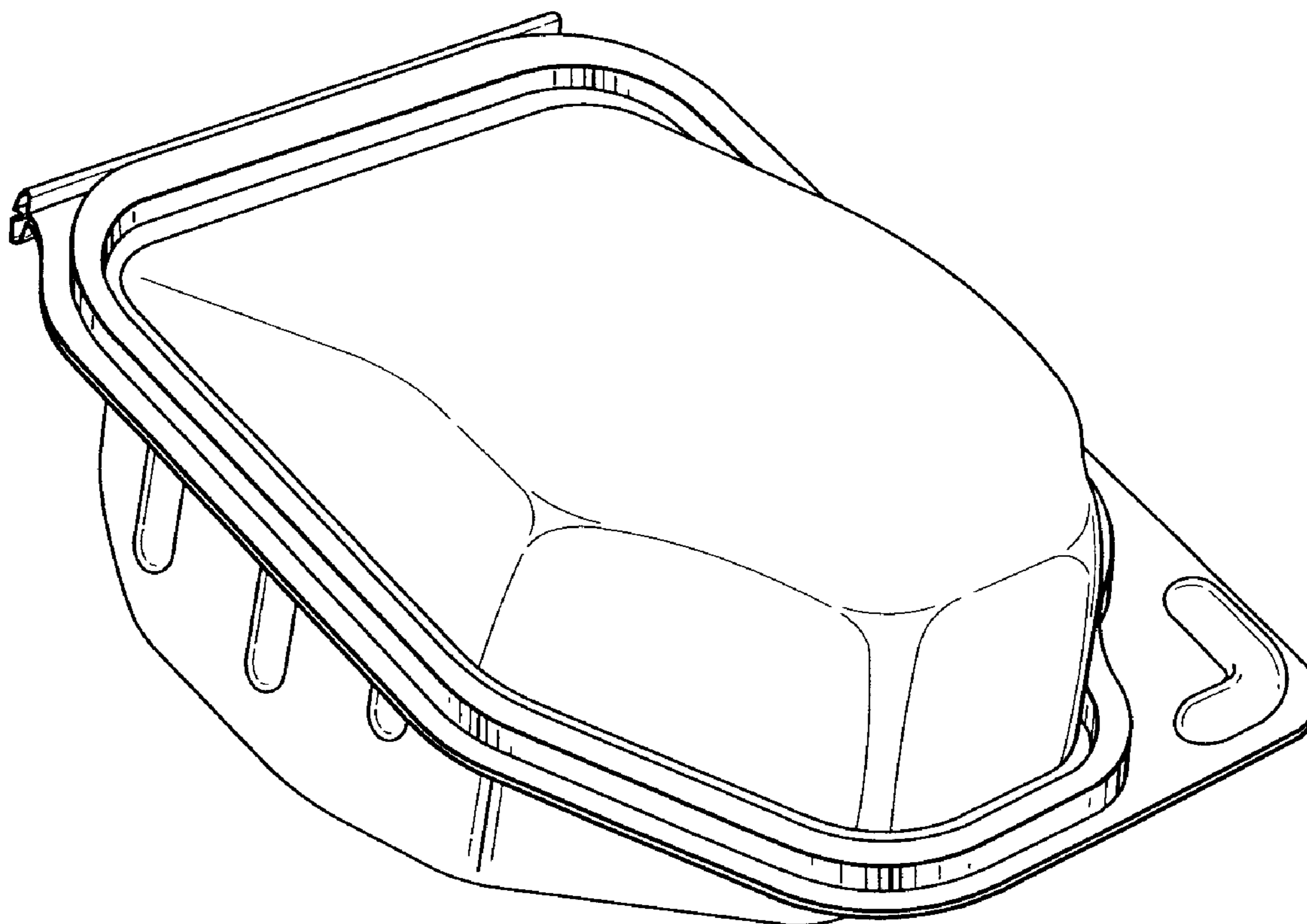
The ornamental design for the box, as shown and described.

DESCRIPTION

FIG. 1 is one side view of a box showing my new, original and ornamental design;
FIG. 2 is another side view of the box;
FIG. 3 is a front perspective view of the box;
FIG. 4 is a rear view of the box;
FIG. 5 is a top view of the box;
FIG. 6 is a bottom view of the box; and,
FIG. 7 is a front perspective view of the box.

(56) **References Cited**
U.S. PATENT DOCUMENTS
D227,226 S * 6/1973 Bird D9/425

1 Claim, 5 Drawing Sheets



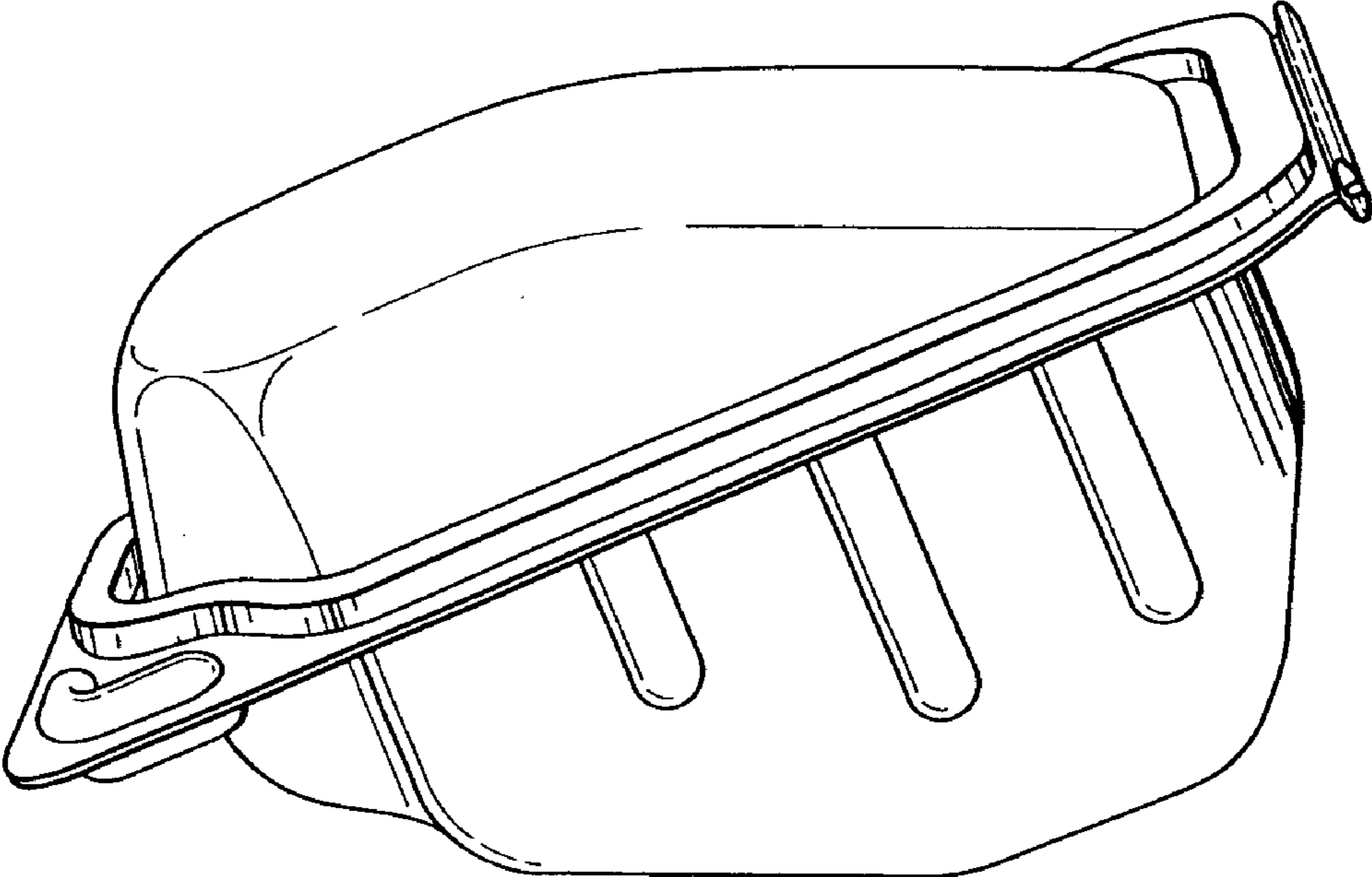


Fig.1

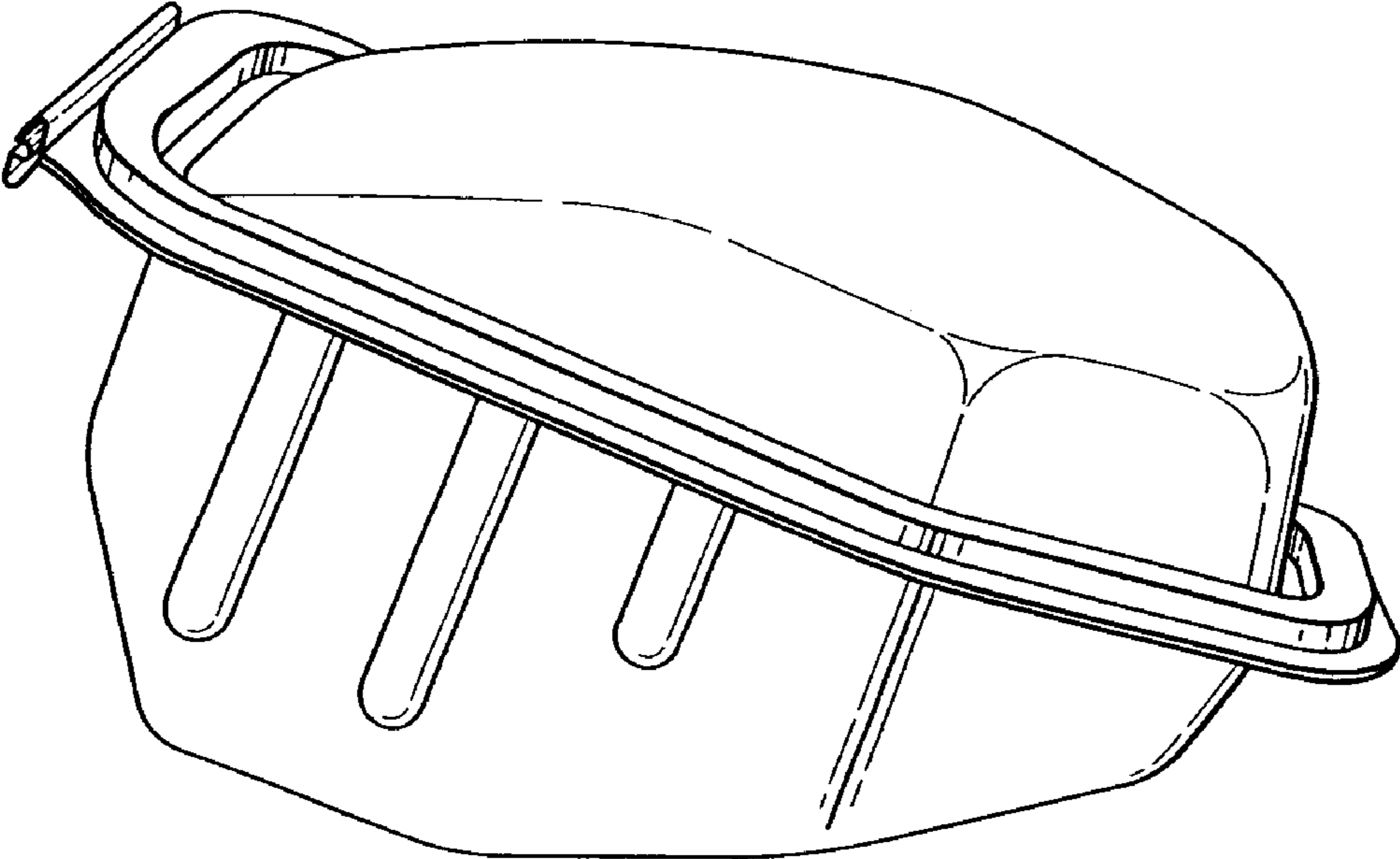


Fig.2

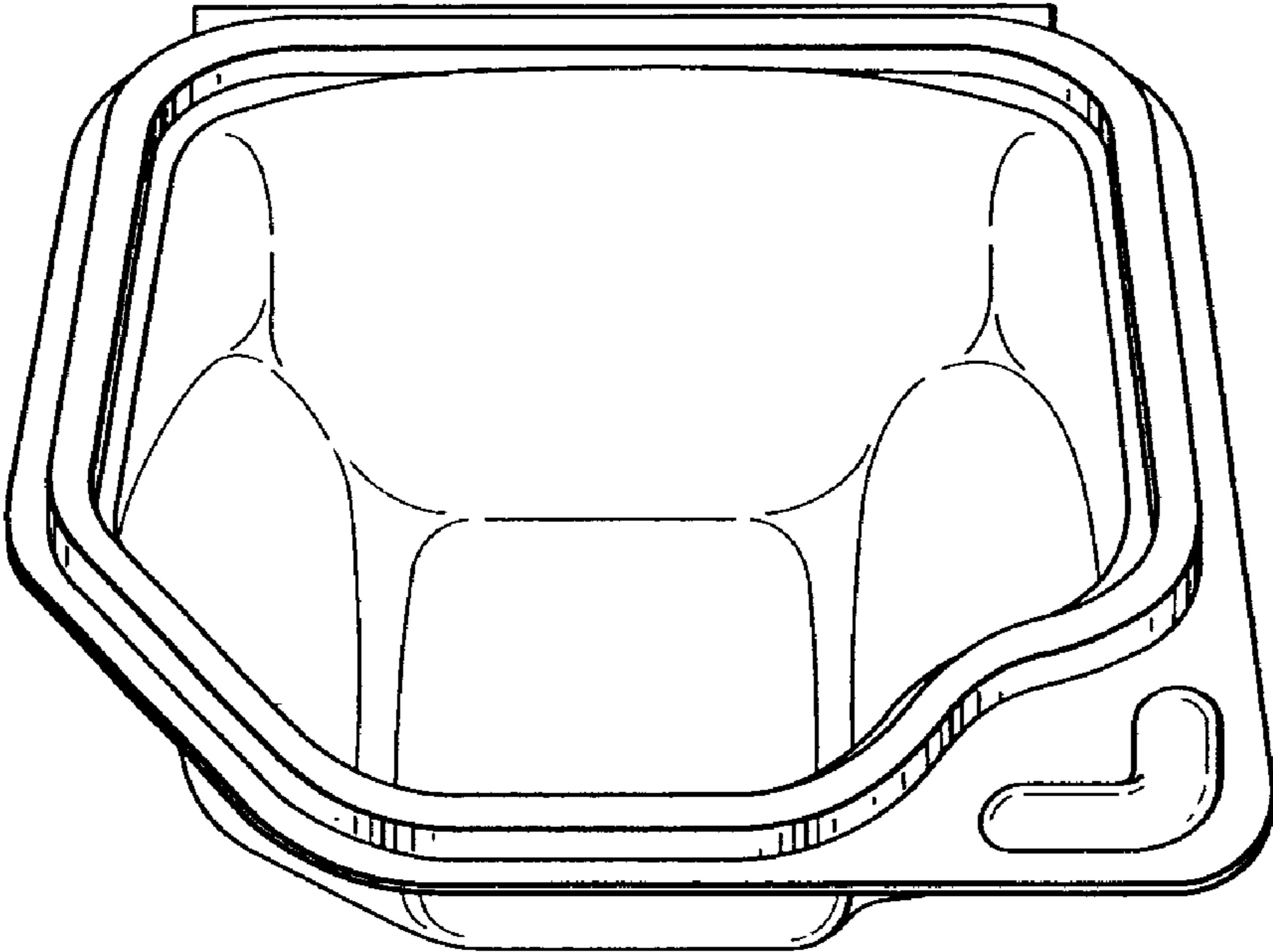


Fig.3

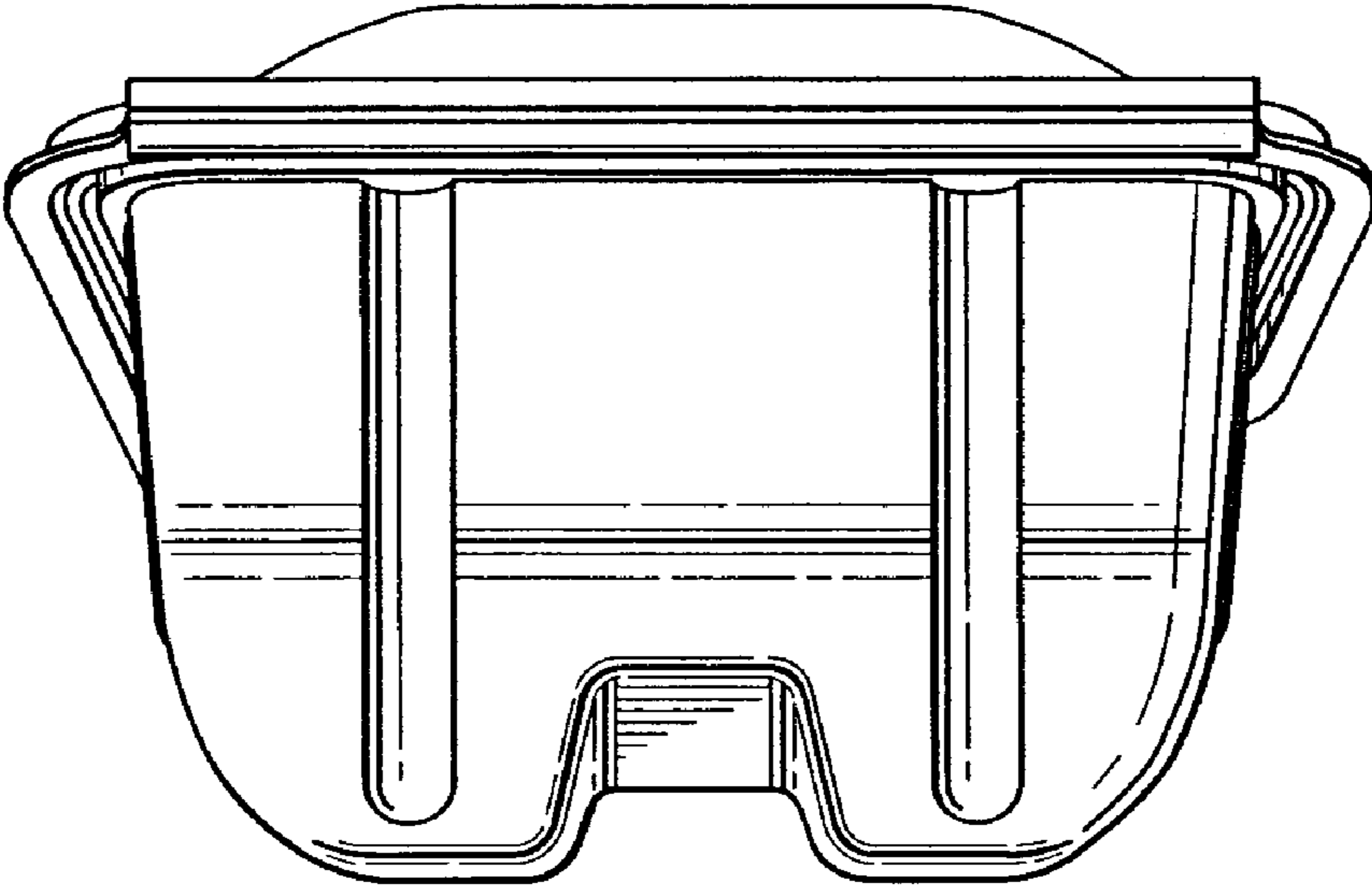


Fig.4

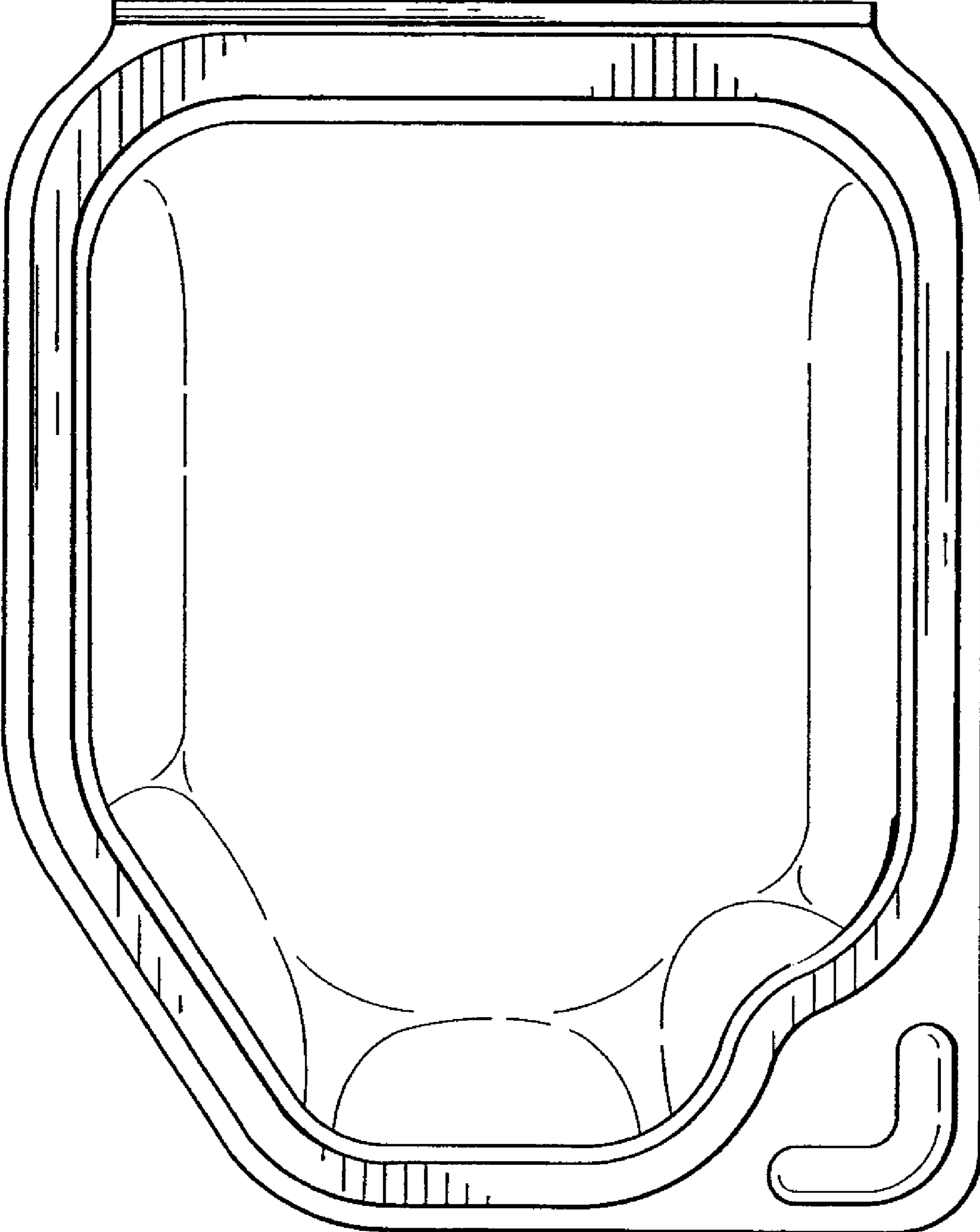


Fig.5

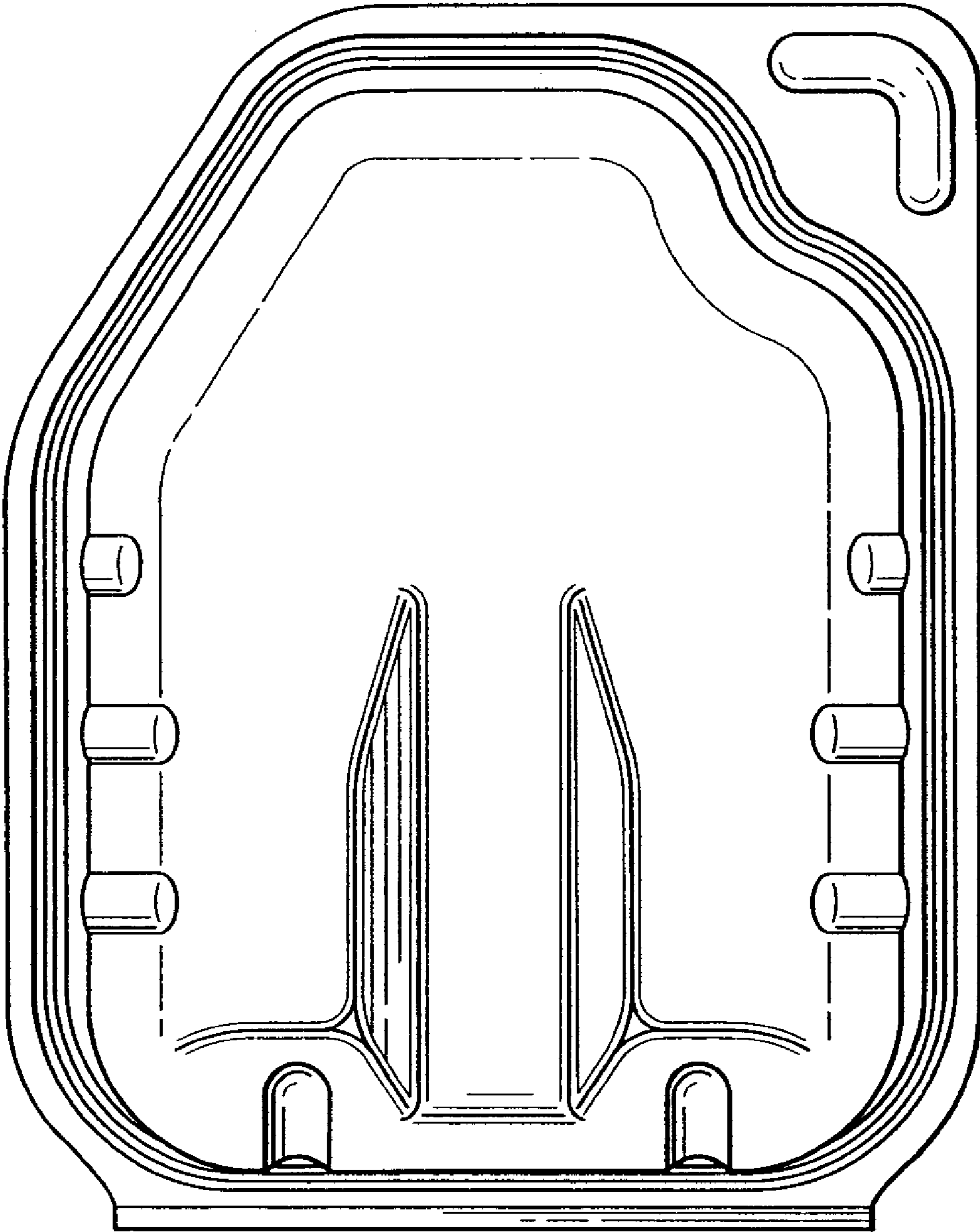


Fig.6

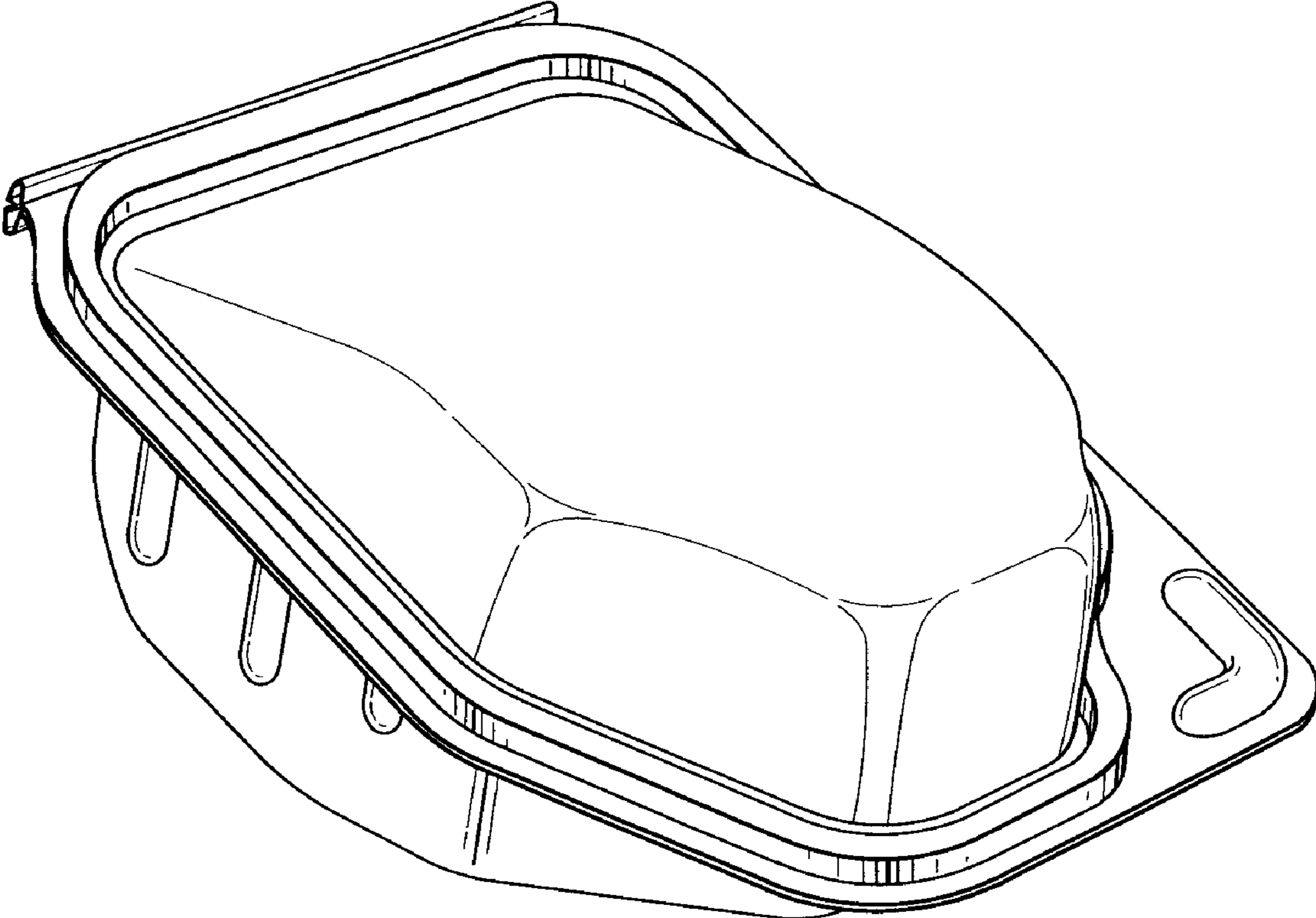


Fig.7