

US00D502865S

(12) **United States Design Patent**  
**Anderson et al.**

(10) **Patent No.: US D502,865 S**

(45) **Date of Patent: \*\* \*Mar. 15, 2005**

(54) **EIGHT INCH DOUBLE HOOK**

(75) Inventors: **Torrence Anderson**, Overland Park, KS (US); **Adam Thomas**, Wheaton, IL (US)

(73) Assignee: **Suncast Corporation**, Batavia, IL (US)

(\*) Notice: This patent is subject to a terminal disclaimer.

(\*\*) Term: **14 Years**

(21) Appl. No.: **29/206,315**

(22) Filed: **May 28, 2004**

(51) **LOC (7) Cl.** ..... **08-05**

(52) **U.S. Cl.** ..... **D8/372**

(58) **Field of Search** ..... D8/372, 367, 370;  
D6/566; 248/220.41, 220.22, 220.31, 302-303;  
211/86.01, 16

(56) **References Cited**

**U.S. PATENT DOCUMENTS**

921,703 A \* 5/1909 Hubbard ..... 248/303

3,409,260 A \* 11/1968 Bleed ..... 248/220.22  
6,273,279 B1 \* 8/2001 Wolf ..... 211/86.01  
D485,157 S \* 1/2004 Rodrigue ..... D8/372

\* cited by examiner

*Primary Examiner*—Holly Baynham  
(74) *Attorney, Agent, or Firm*—McHale & Slavin, P.A.

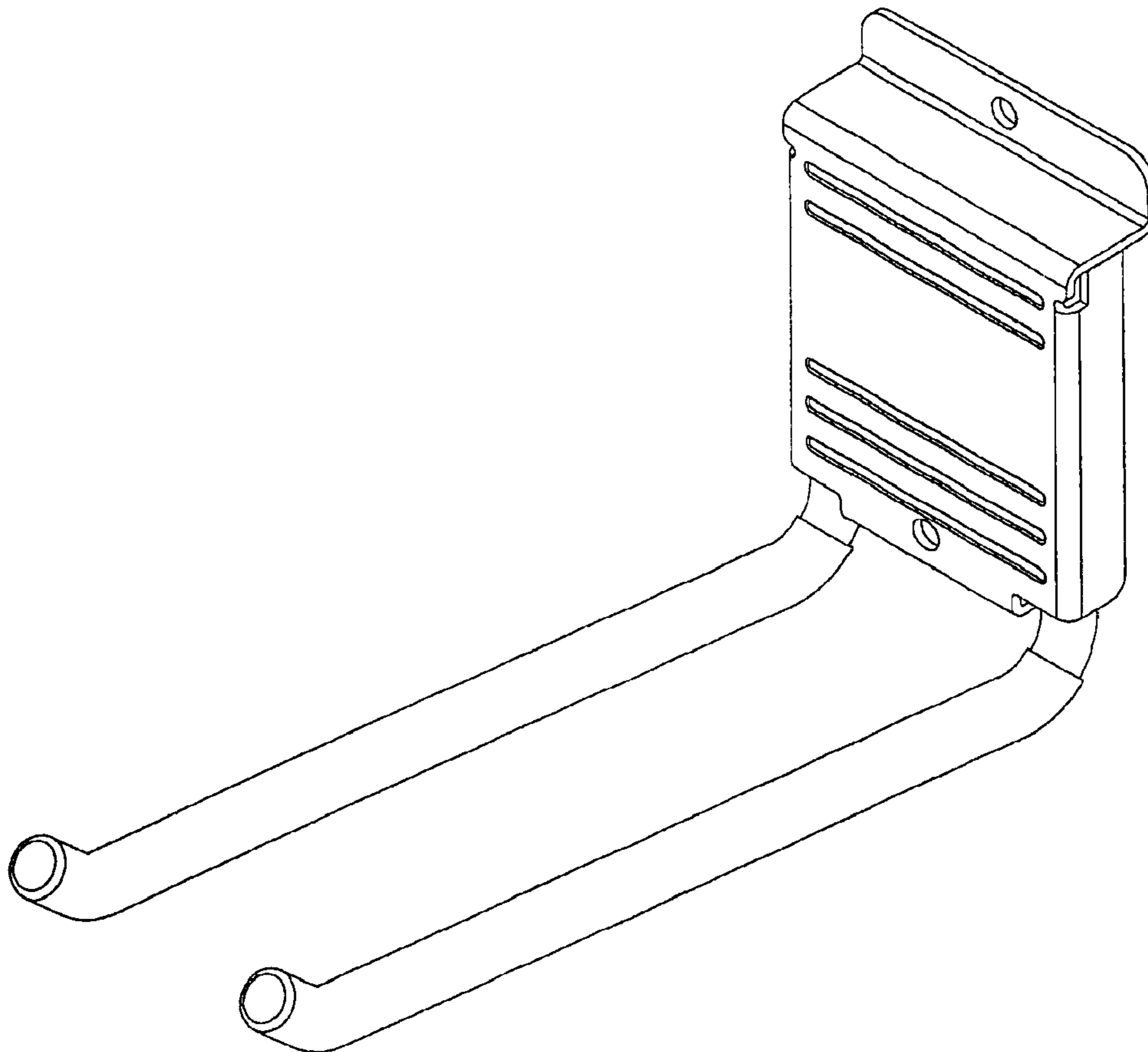
(57) **CLAIM**

The ornamental design for a eight inch double hook, as shown and described.

**DESCRIPTION**

FIG. 1 is a perspective view of the eight inch double hook, of the instant invention;  
FIG. 2 is a front plane view thereof;  
FIG. 3 is a rear plane view thereof;  
FIG. 4 is a left side view thereof;  
FIG. 5 is a right side view thereof;  
FIG. 6 is a top view thereof; and,  
FIG. 7 is a bottom view thereof.

**1 Claim, 4 Drawing Sheets**



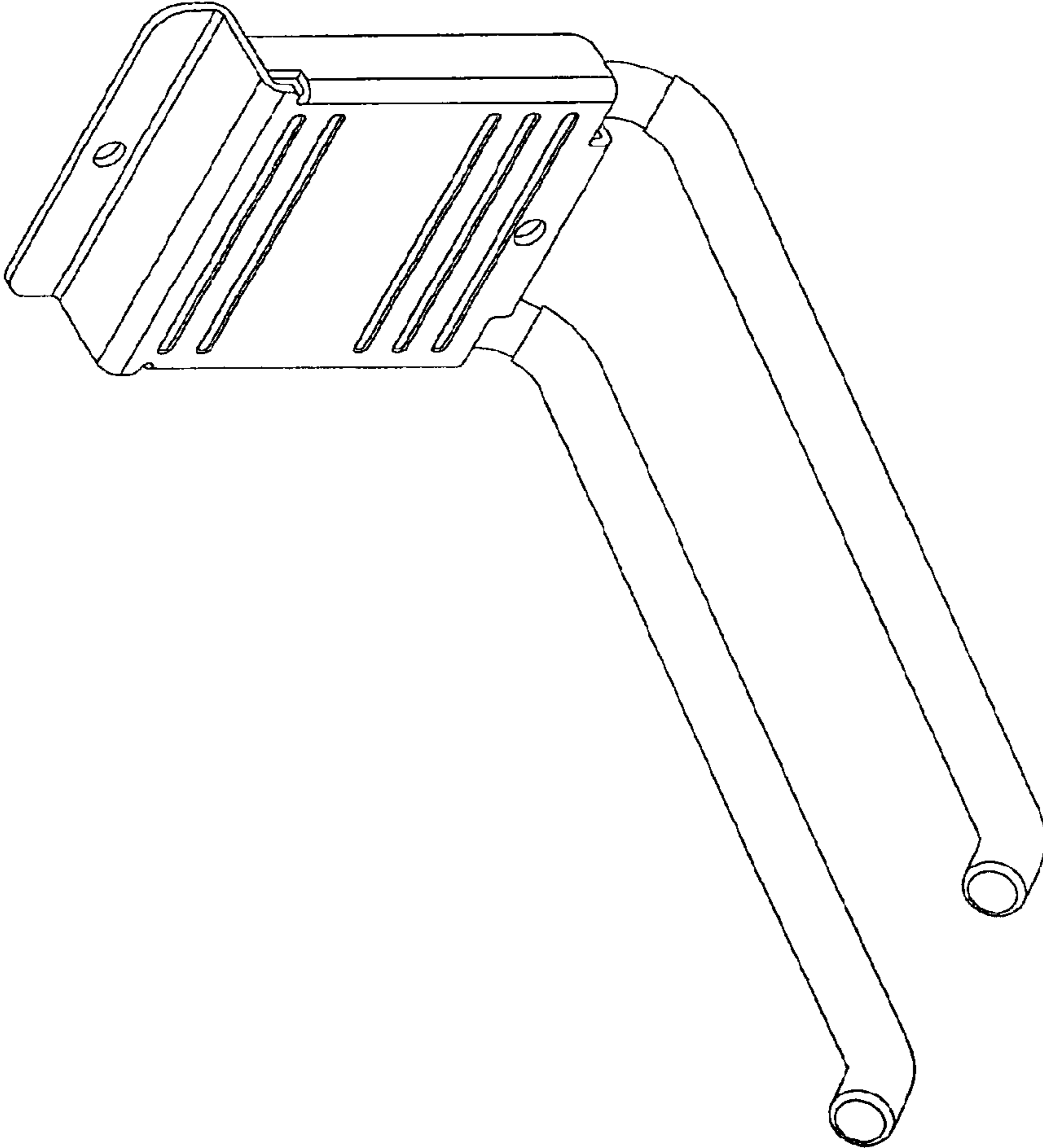


FIGURE 1

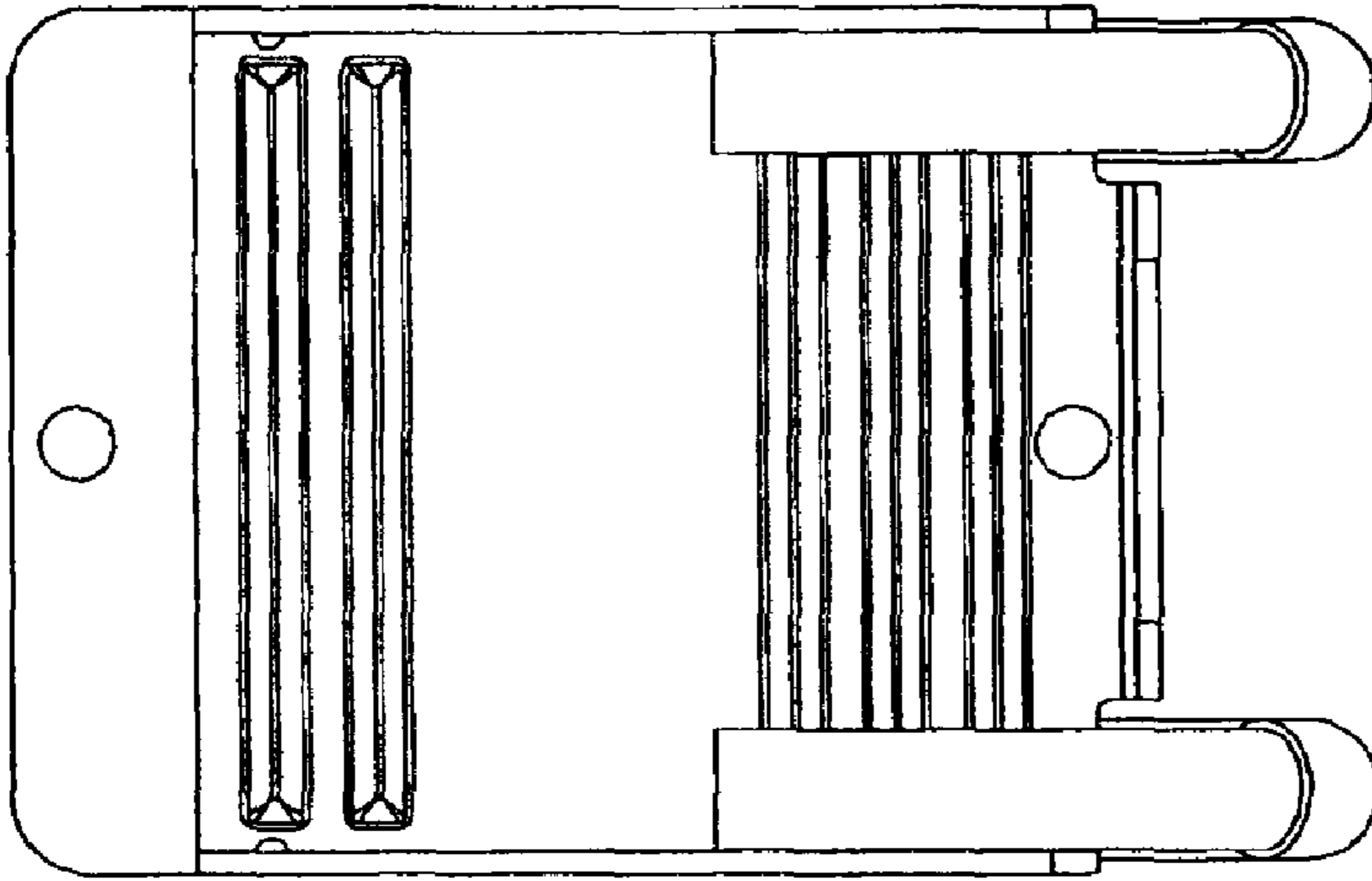


FIGURE 3

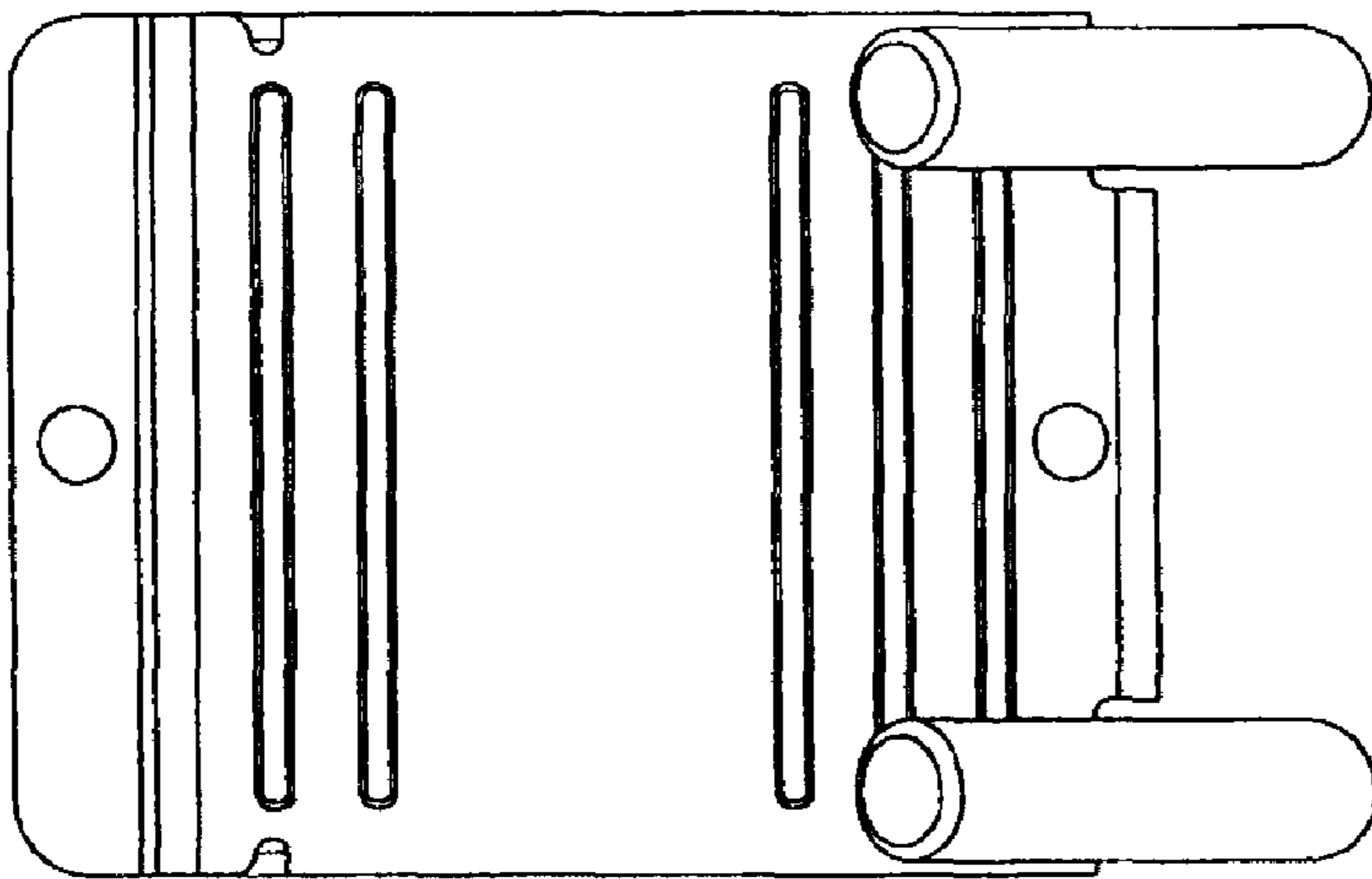


FIGURE 2



**FIGURE 4**



**FIGURE 5**

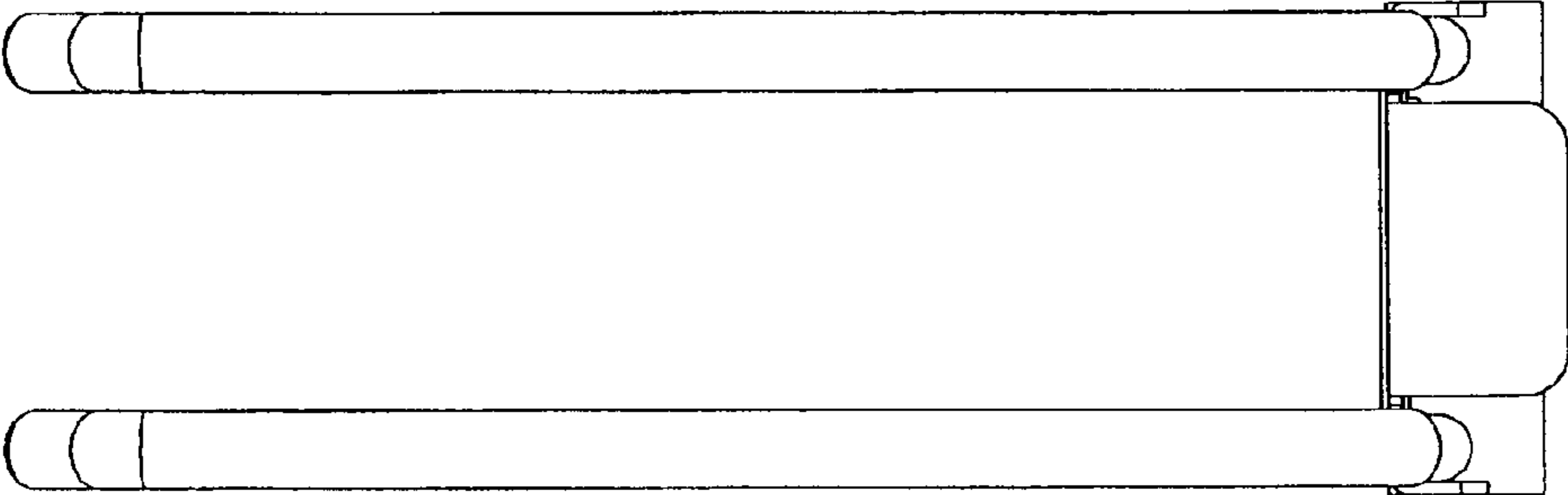


FIGURE 7

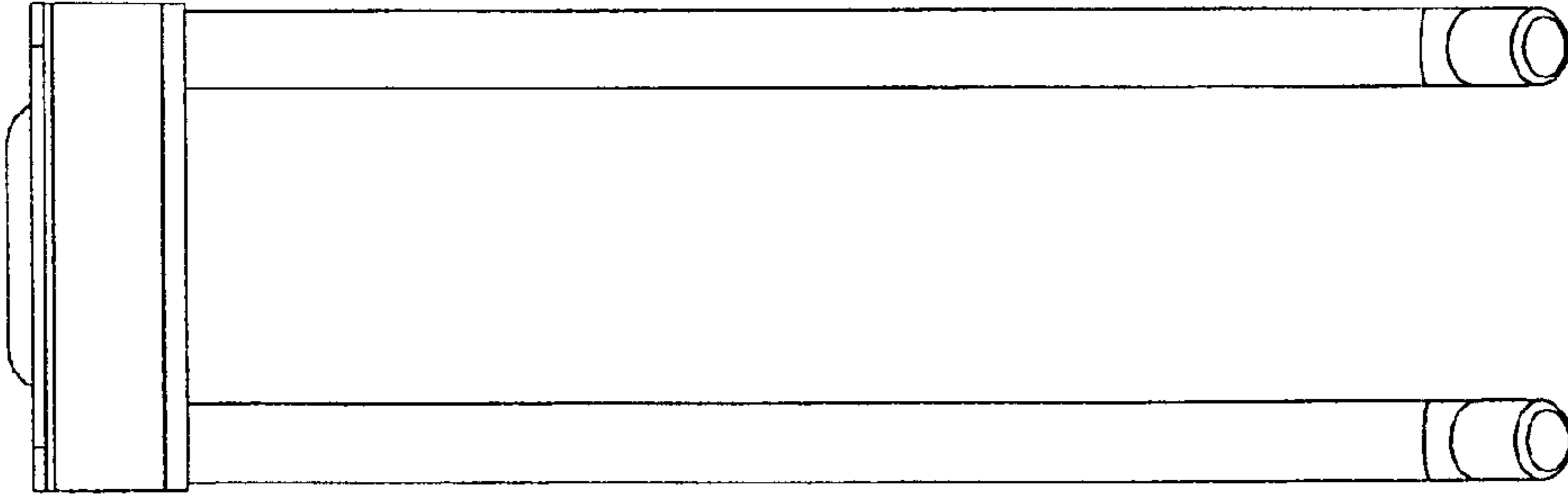


FIGURE 6