



US00D502859S

(12) **United States Design Patent**
Peng et al.

(10) **Patent No.:** **US D502,859 S**
(45) **Date of Patent:** **** Mar. 15, 2005**

(54) **ELECTRIC LOCK DEVICE**

(76) Inventors: **Fu Chang Peng**, 6F, No. 440-2, Gin Pin Road, Chong Ho City, Taipei Hsien (TW), 235; **Alan Liang**, 6F, No. 440-2, Gin Pin Road, Chong Ho City, Taipei Hsien (TW), 235; **Chih Hung Hsiao**, 6F, No. 440-2, Gin Pin Road, Chong Ho City, Taipei Hsien (TW), 235

(**) Term: **14 Years**

(21) Appl. No.: **29/201,191**

(22) Filed: **Mar. 10, 2004**

(51) **LOC (7) Cl.** **08-07**

(52) **U.S. Cl.** **D8/331**

(58) **Field of Search** D8/330-332, 339, D8/343, 346, 334, 300-302; 70/57.1, 58, 107, 141, 210, 218, 277, 278.1, 279.1-285; 340/5.1, 5.2, 5.21, 5.54, 5.65, 5.73, 5.81, 5.85

(56) **References Cited**

U.S. PATENT DOCUMENTS

3,187,528 A * 6/1965 Check 70/299
4,956,984 A * 9/1990 Chi-Cheng 70/277

D313,926 S * 1/1991 Kautt D8/301
D351,982 S * 11/1994 Chen D8/330
D353,530 S * 12/1994 Gartner D8/330
5,475,996 A * 12/1995 Chen 70/279.1
D365,976 S * 1/1996 Chiu D8/330
5,658,026 A * 8/1997 Nigro et al. 292/336.3
D389,817 S * 1/1998 Umetsu D14/384
5,841,361 A * 11/1998 Hoffman 340/5.54
D479,682 S * 9/2003 Frolov et al. D8/331

* cited by examiner

Primary Examiner—Prabhakar Deshmukh

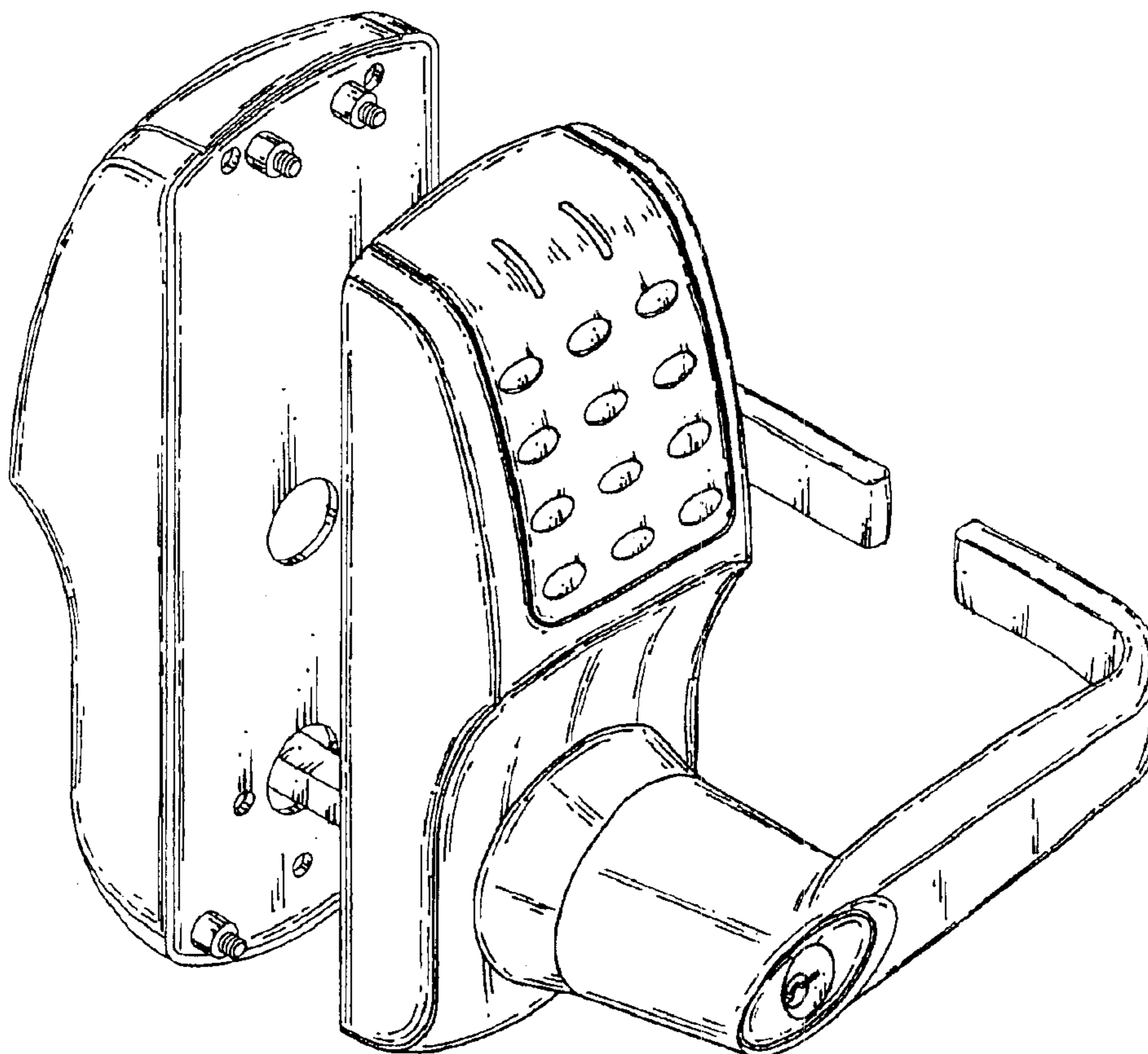
(57) **CLAIM**

The ornamental design for an electric lock device, as shown and described.

DESCRIPTION

FIG. 1 is a perspective view of an electric lock device showing my new design;
FIG. 2 is a front elevational view thereof;
FIG. 3 is a rear elevational view thereof;
FIG. 4 is a top plan view thereof;
FIG. 5 is a bottom plan view thereof;
FIG. 6 is a left side elevational view thereof; and,
FIG. 7 is a right side elevational view thereof.

1 Claim, 4 Drawing Sheets



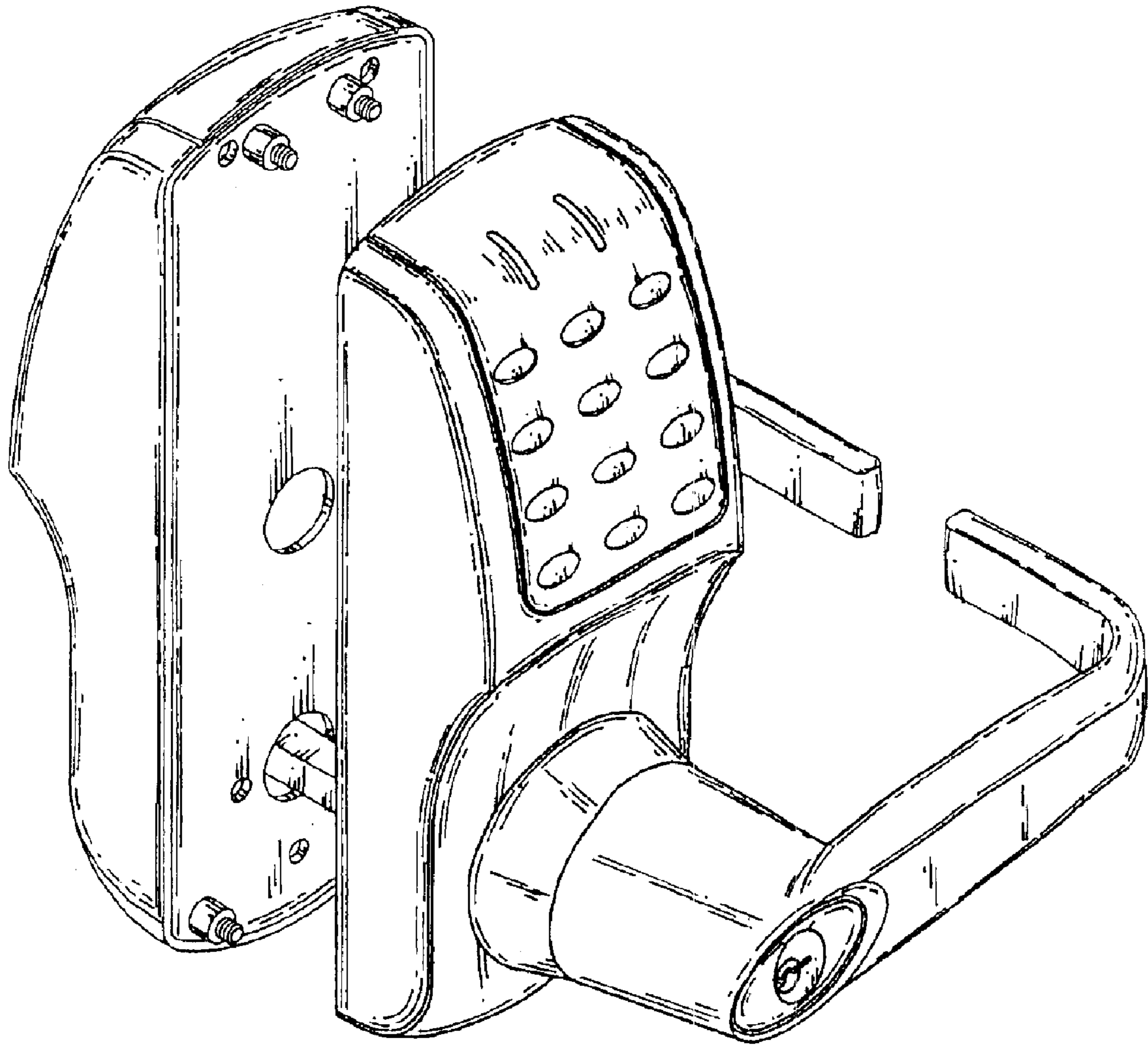


FIG. 1

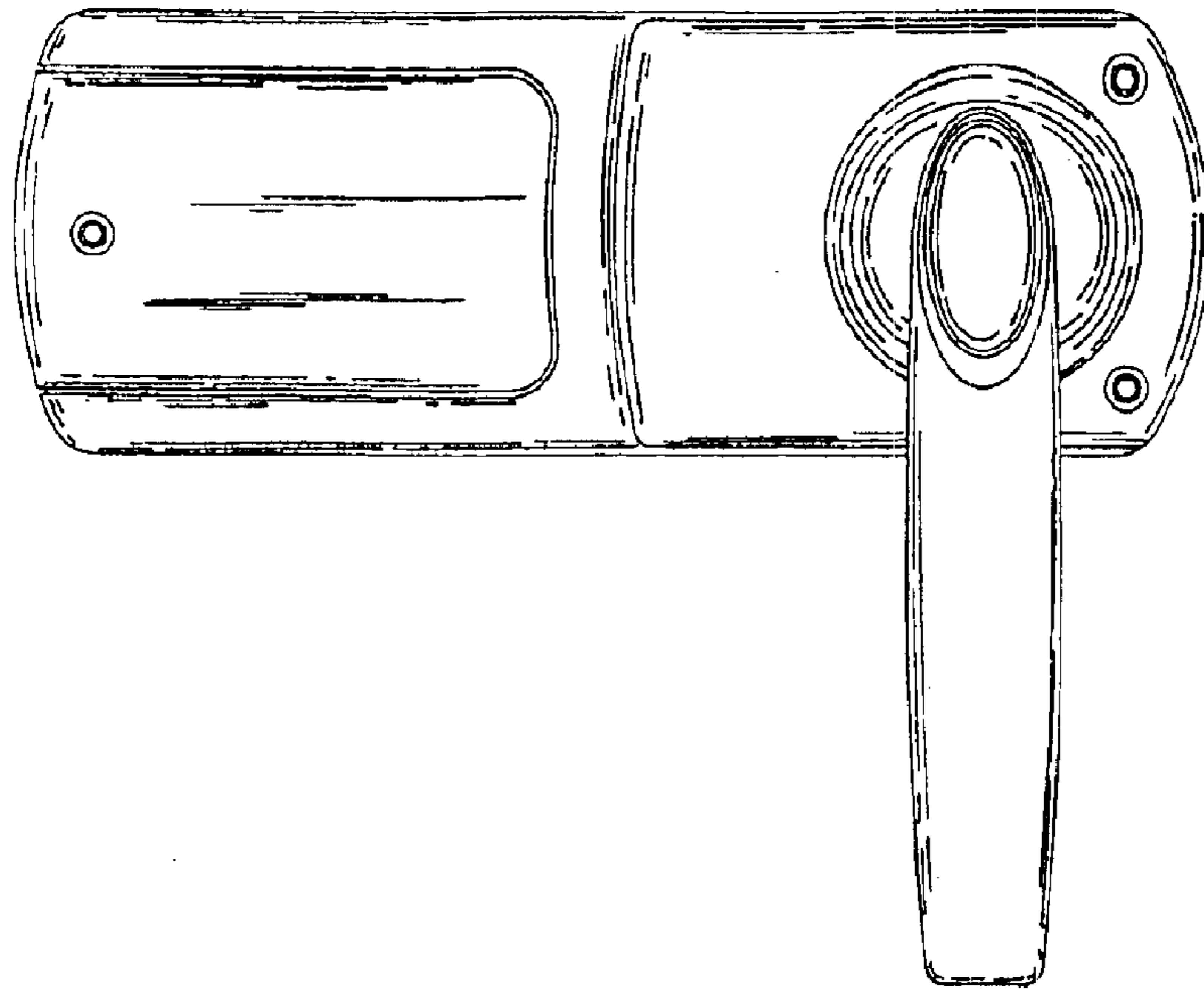


FIG. 2

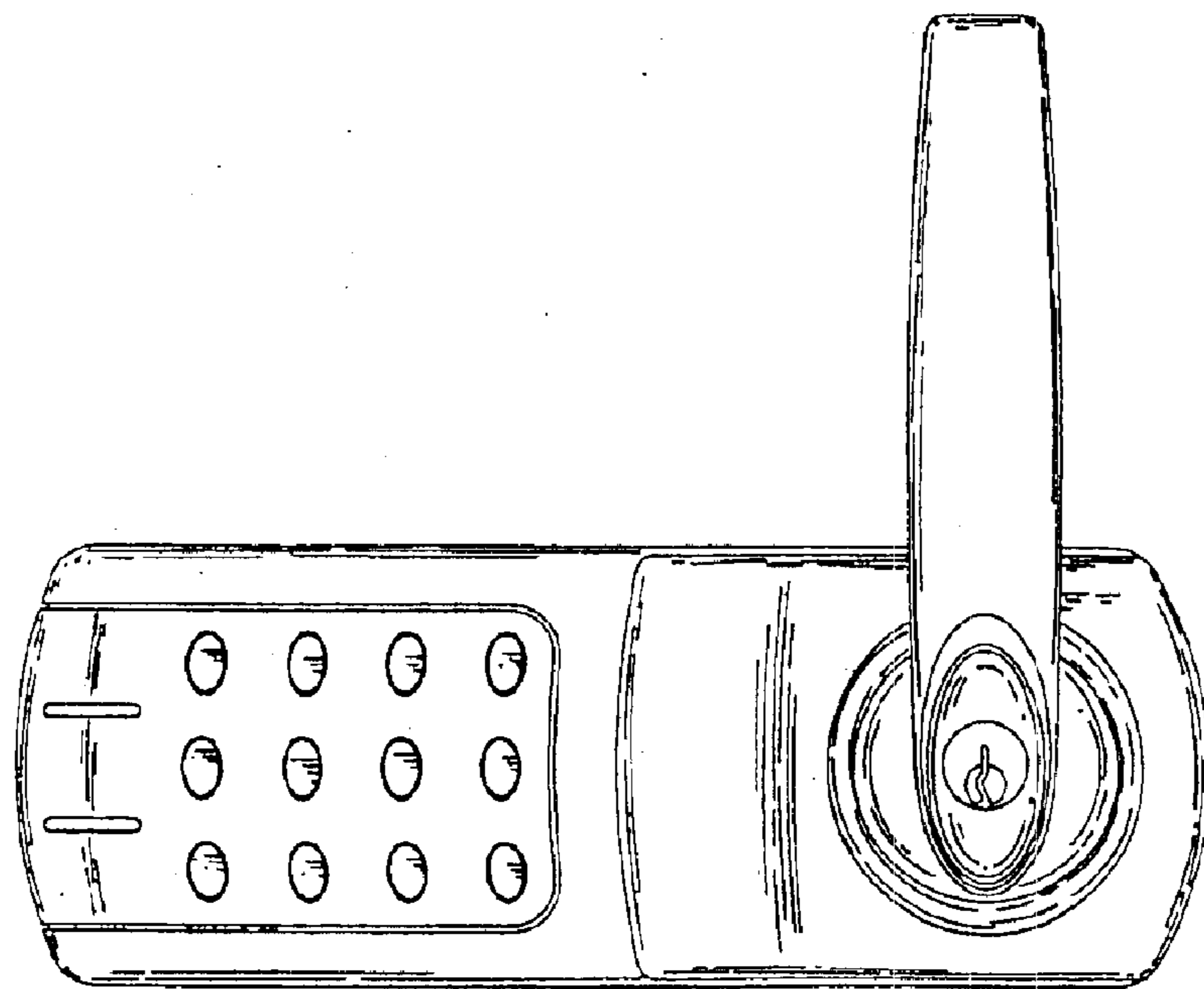


FIG. 3

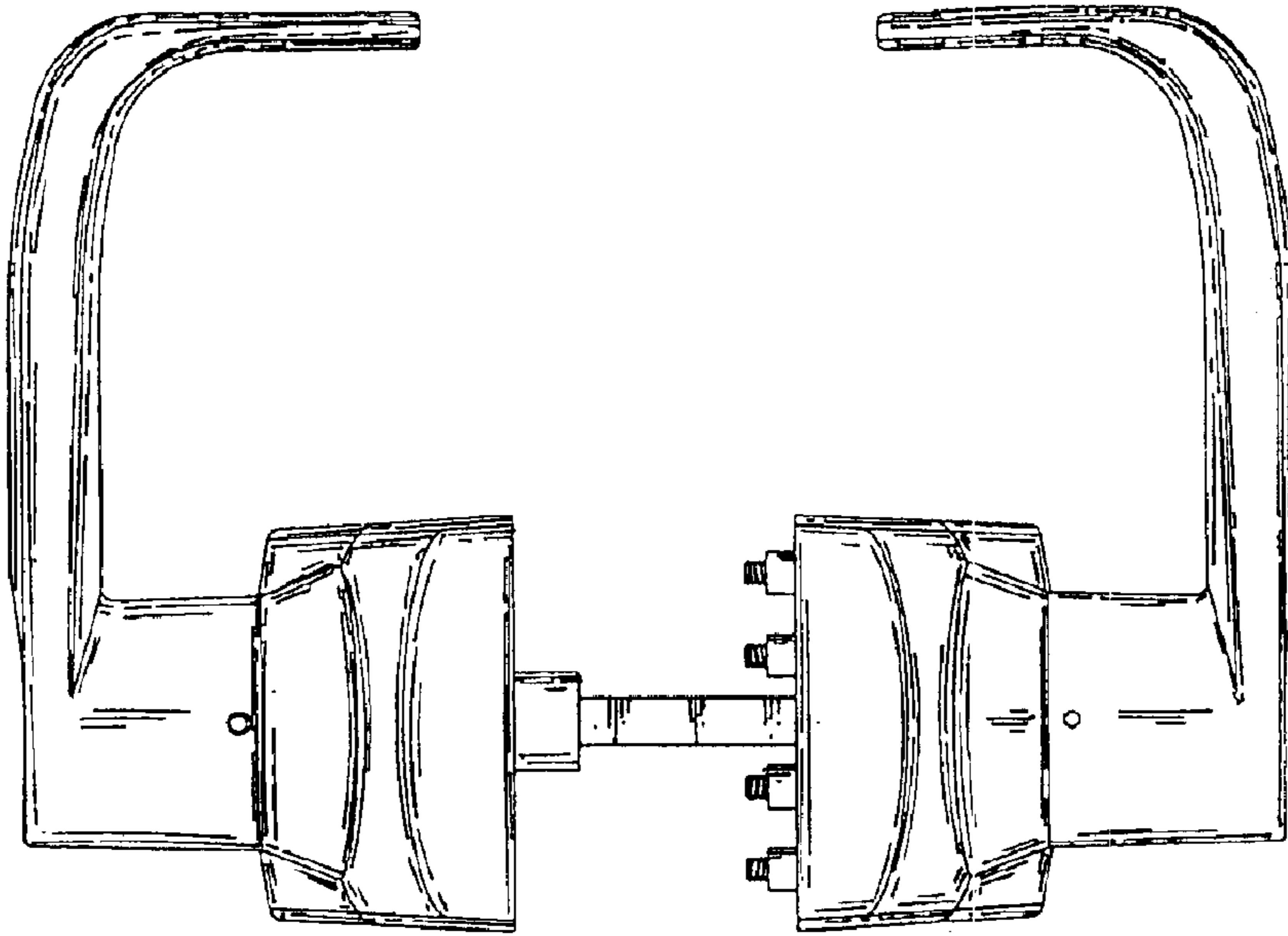


FIG. 5

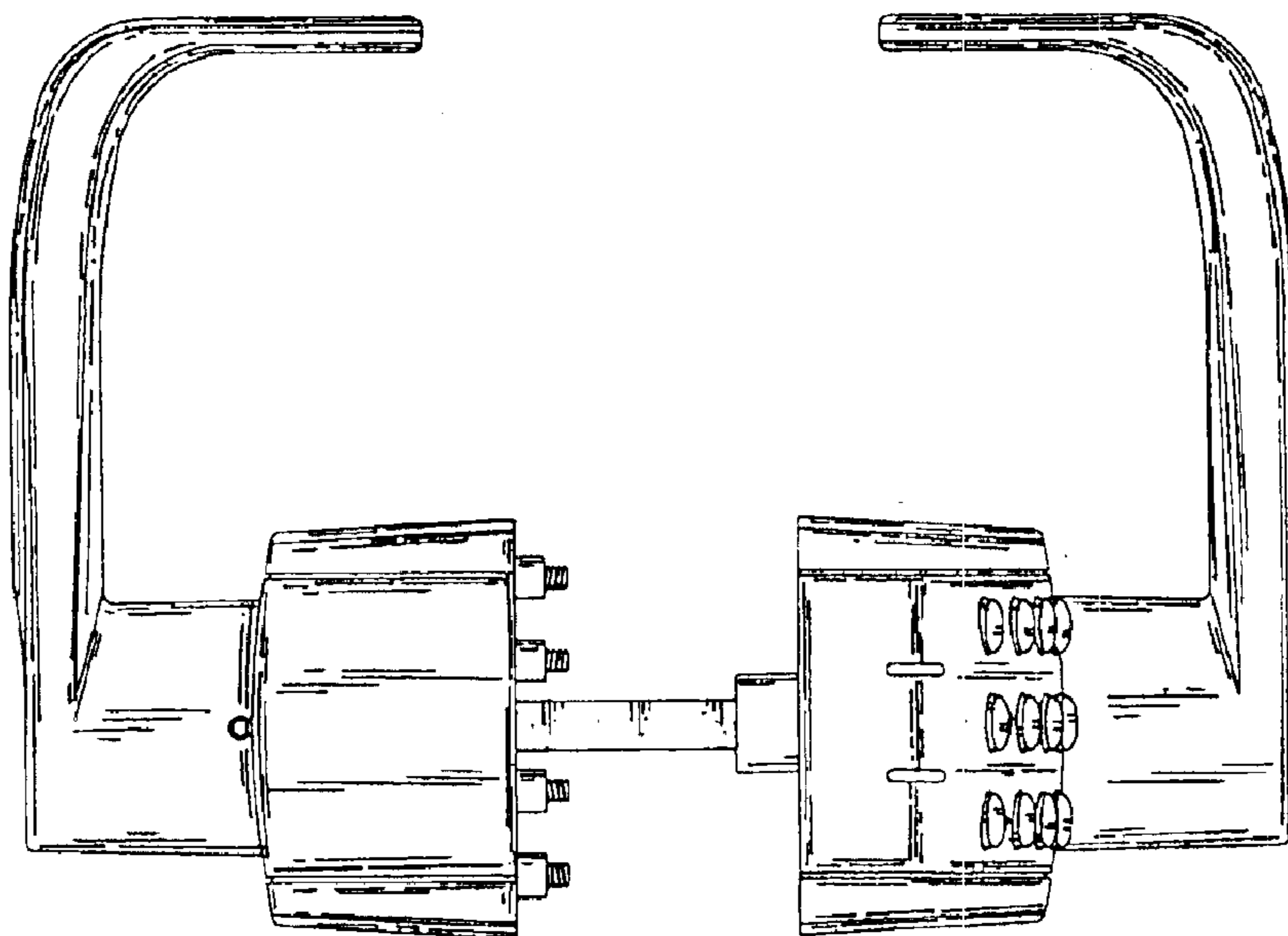


FIG. 4

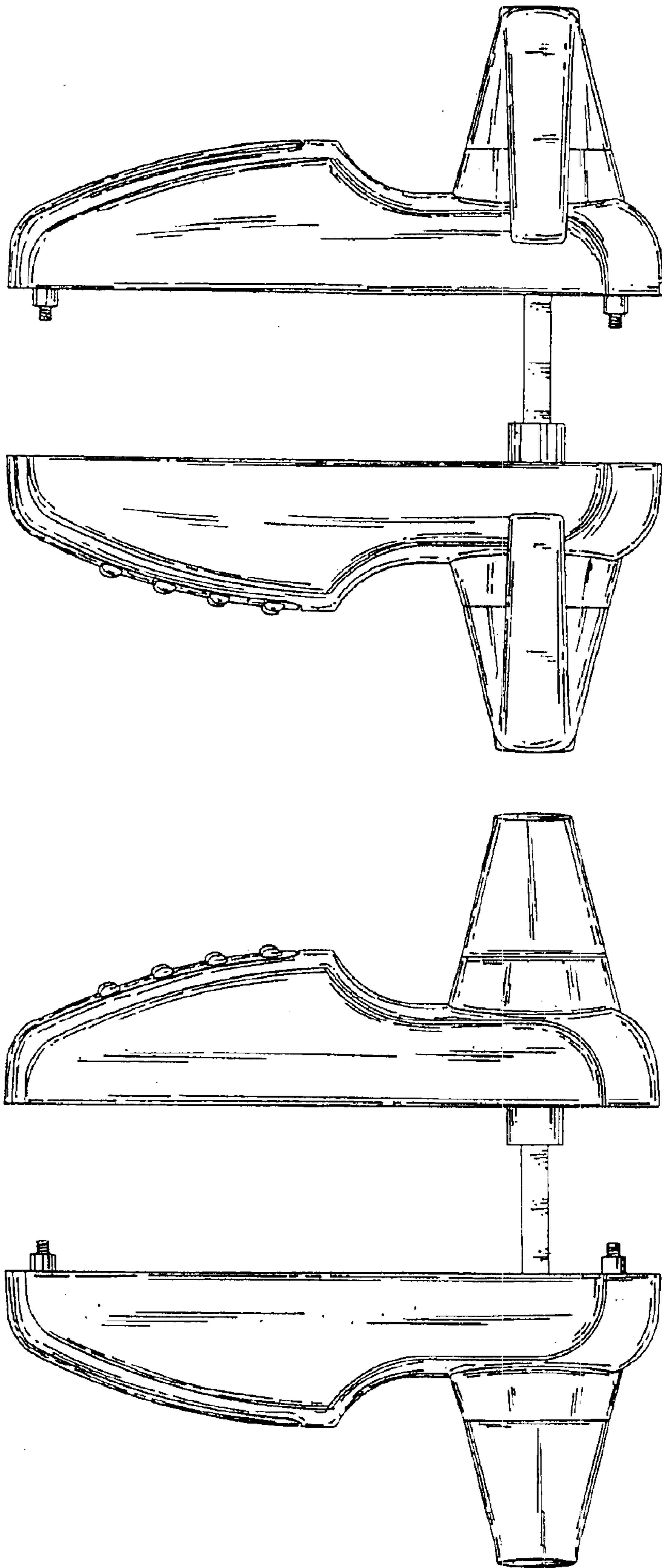


FIG. 7

FIG. 6