



US00D502858S

(12) **United States Design Patent**
Sato

(10) **Patent No.:** **US D502,858 S**
(45) **Date of Patent:** **** Mar. 15, 2005**

(54) **LEVER HANDLE FOR FITTINGS**

(75) Inventor: **Genichi Sato**, Ageo (JP)

(73) Assignee: **Sugatsune Kogyo Co., Ltd.**, Tokyo (JP)

(**) Term: **14 Years**

(21) Appl. No.: **29/191,209**

(22) Filed: **Oct. 2, 2003**

(30) **Foreign Application Priority Data**

Apr. 4, 2003 (JP) 2003-009515

(51) **LOC (7) Cl.** **08-06**

(52) **U.S. Cl.** **D8/308; D8/302**

(58) **Field of Search** D8/301, 306, 308;
D7/393; D23/250-254; 16/412, 110.1; 74/519,
523, 548; 292/173, 356, 336.3

(56) **References Cited**

U.S. PATENT DOCUMENTS

D85,844 S * 12/1931 Schnell D8/308
D173,396 S * 11/1954 Sugano D8/302
D222,875 S * 1/1972 Gerlach D8/308

* cited by examiner

Primary Examiner—Paula A. Greene
(74) *Attorney, Agent, or Firm*—Osha & May L.L.P.

(57) **CLAIM**

The ornamental design for a lever handle for fittings, as shown and described.

DESCRIPTION

FIG. 1 shows a front view of the design according to an embodiment of the invention.

FIG. 2 shows a right side view of the design according to an embodiment of the invention.

FIG. 3 shows a left side view of the design according to an embodiment of the invention.

FIG. 4 shows a top plan view of the design according to an embodiment of the invention.

FIG. 5 shows a bottom plan view of the design according to an embodiment of the invention.

FIG. 6 shows a rear view of the design according to an embodiment of the invention; and,

FIG. 7 shows a sectional view of the design according to an embodiment of the invention taken along the line 7—7 as shown in FIG. 1.

1 Claim, 2 Drawing Sheets

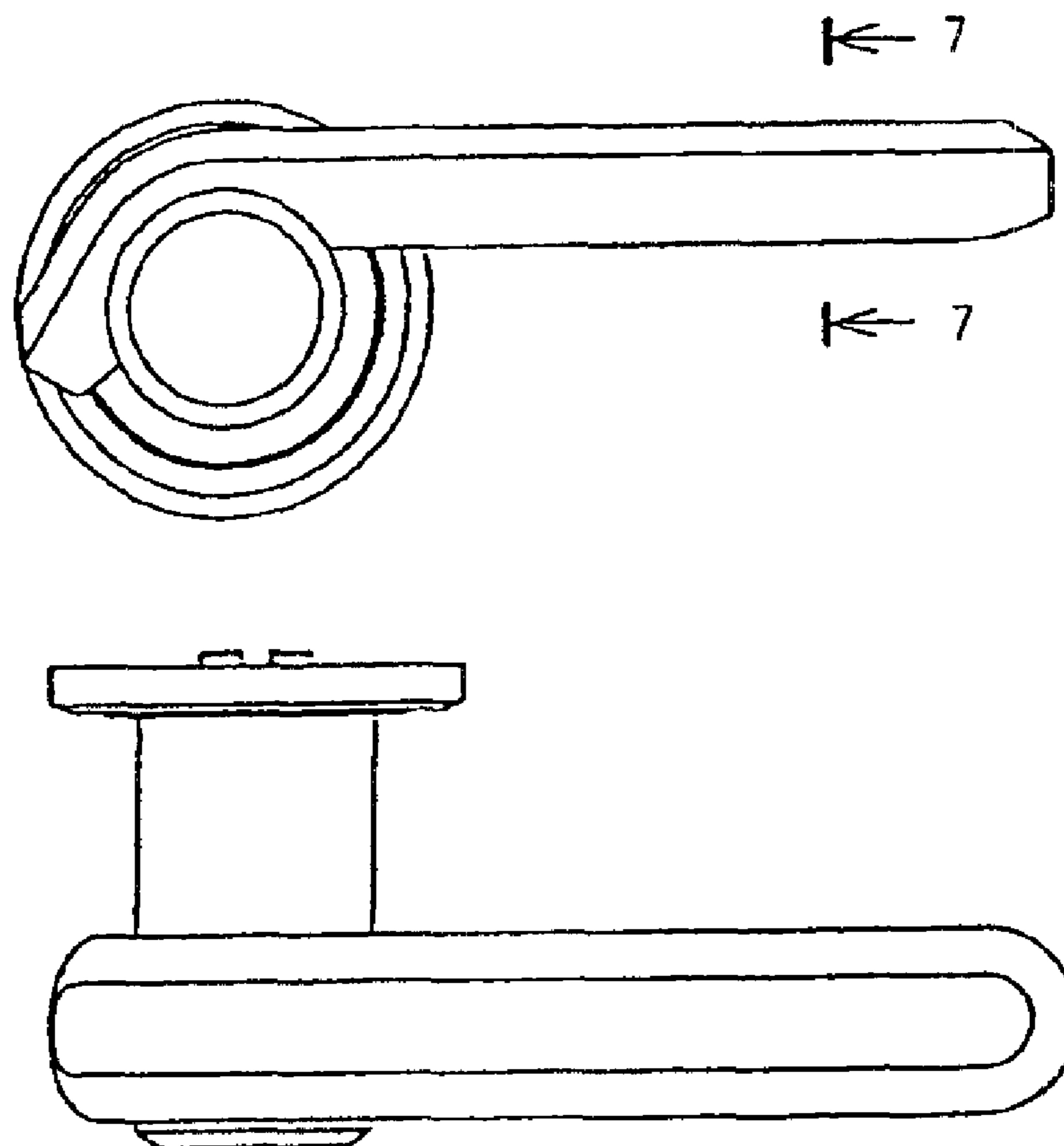


FIG. 1

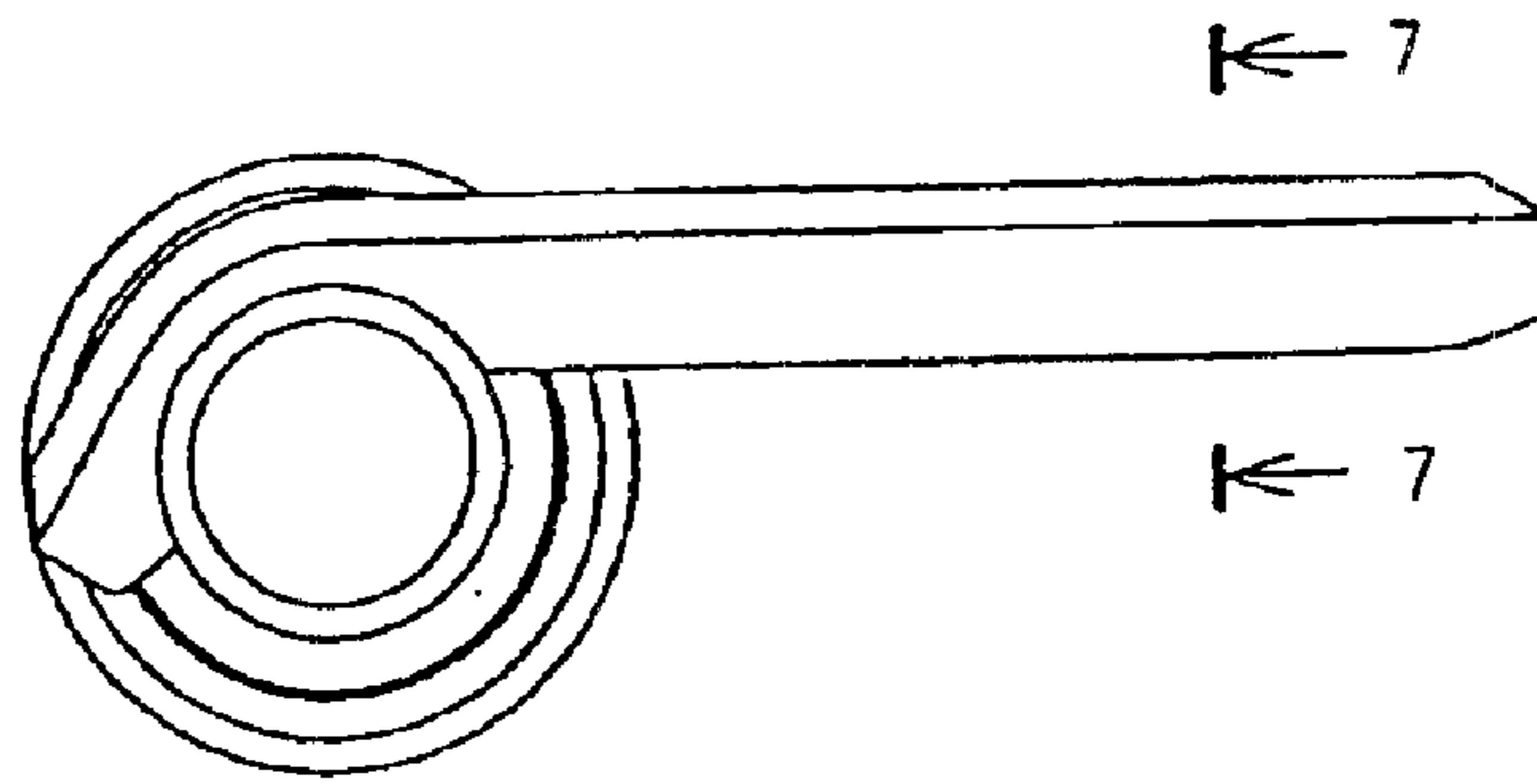


FIG. 2

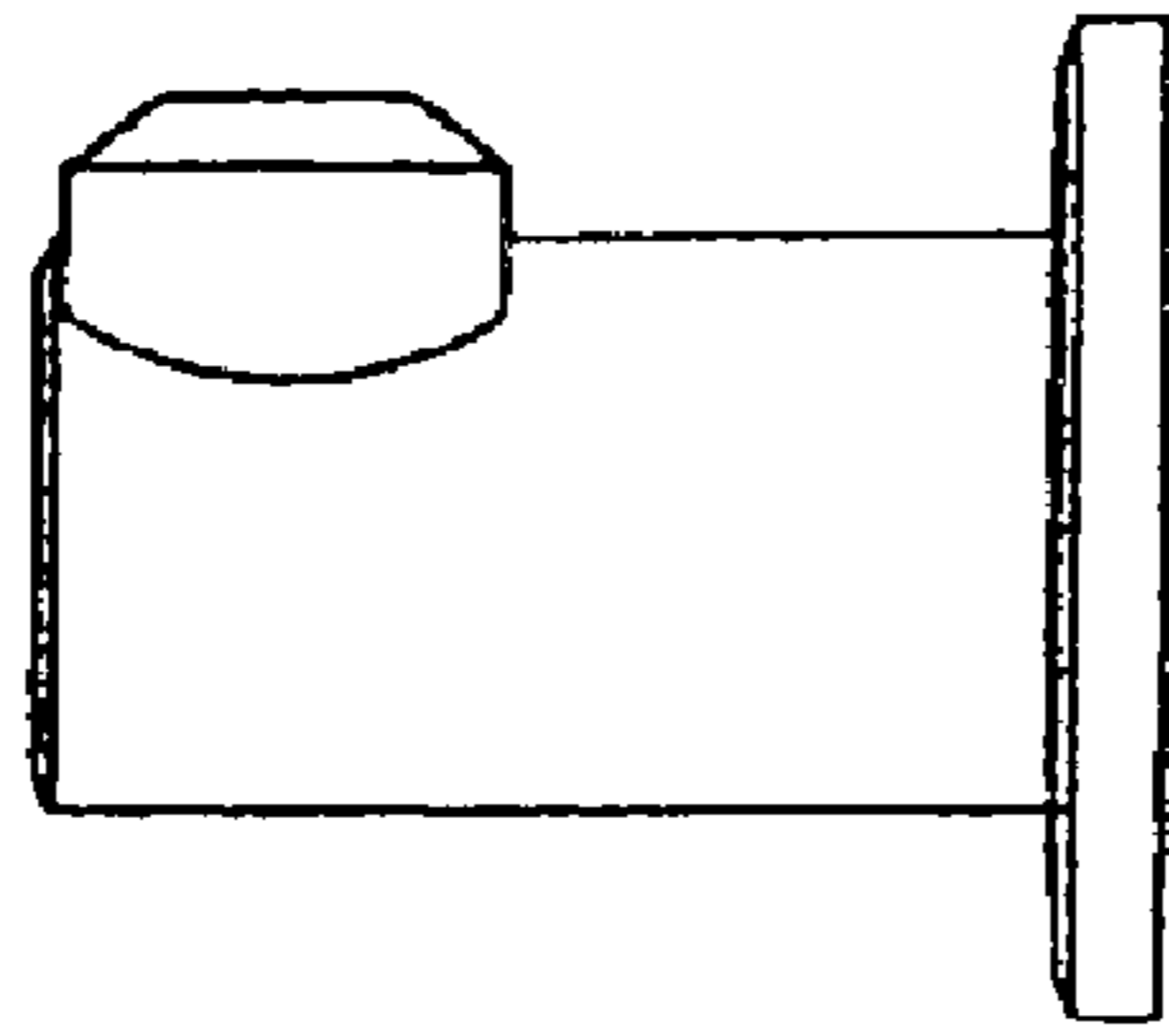


FIG. 3

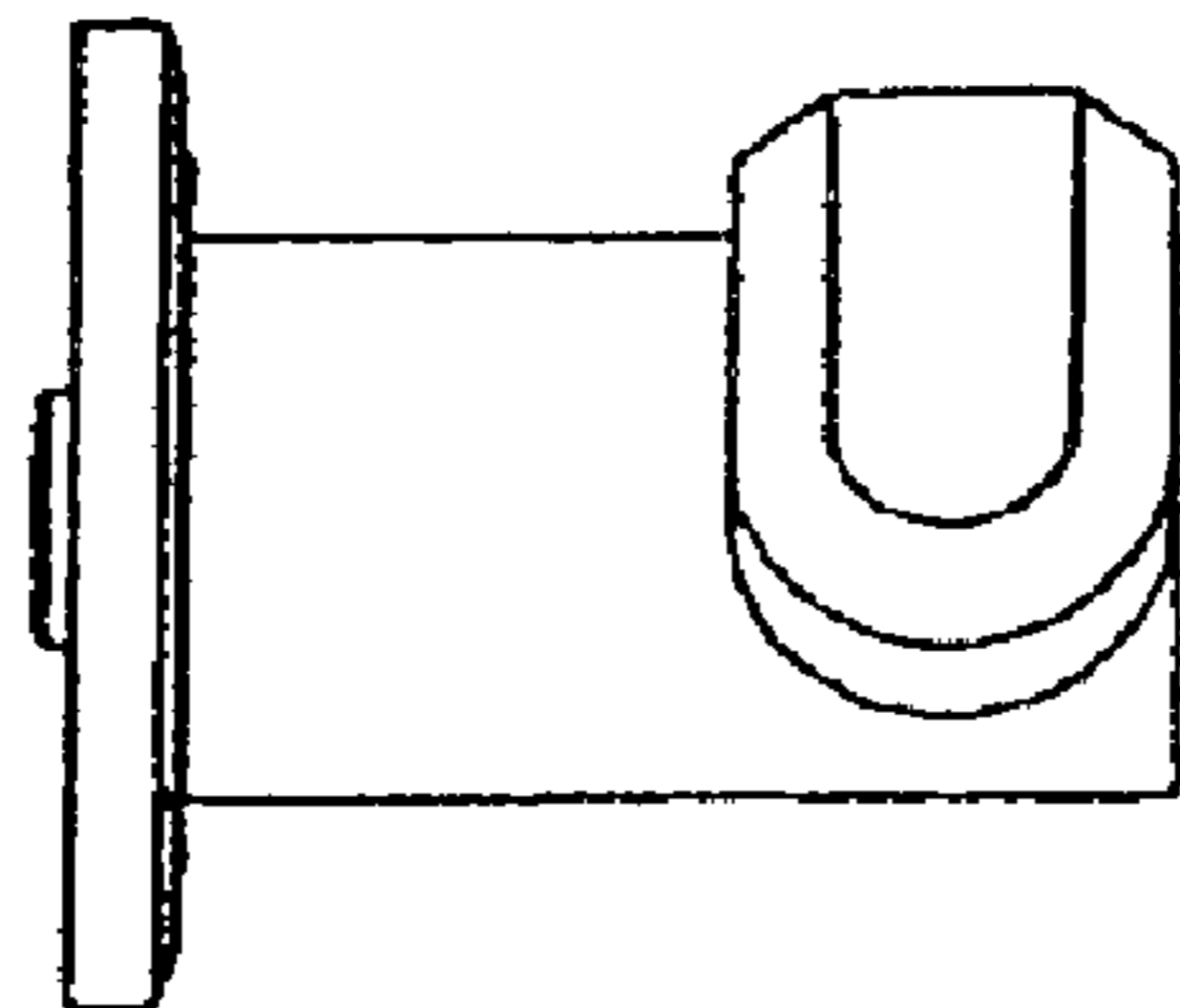


FIG. 4

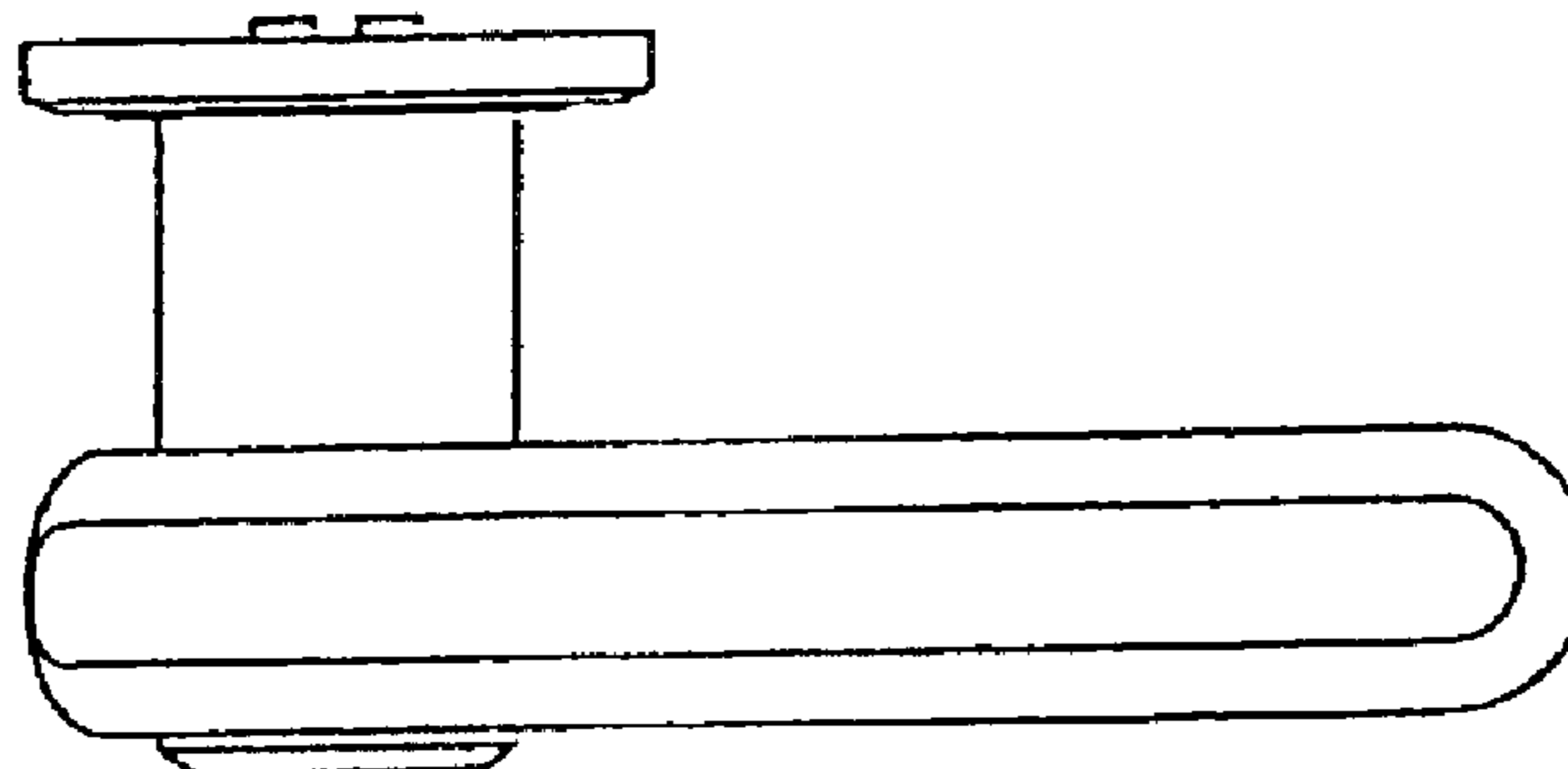


FIG. 5

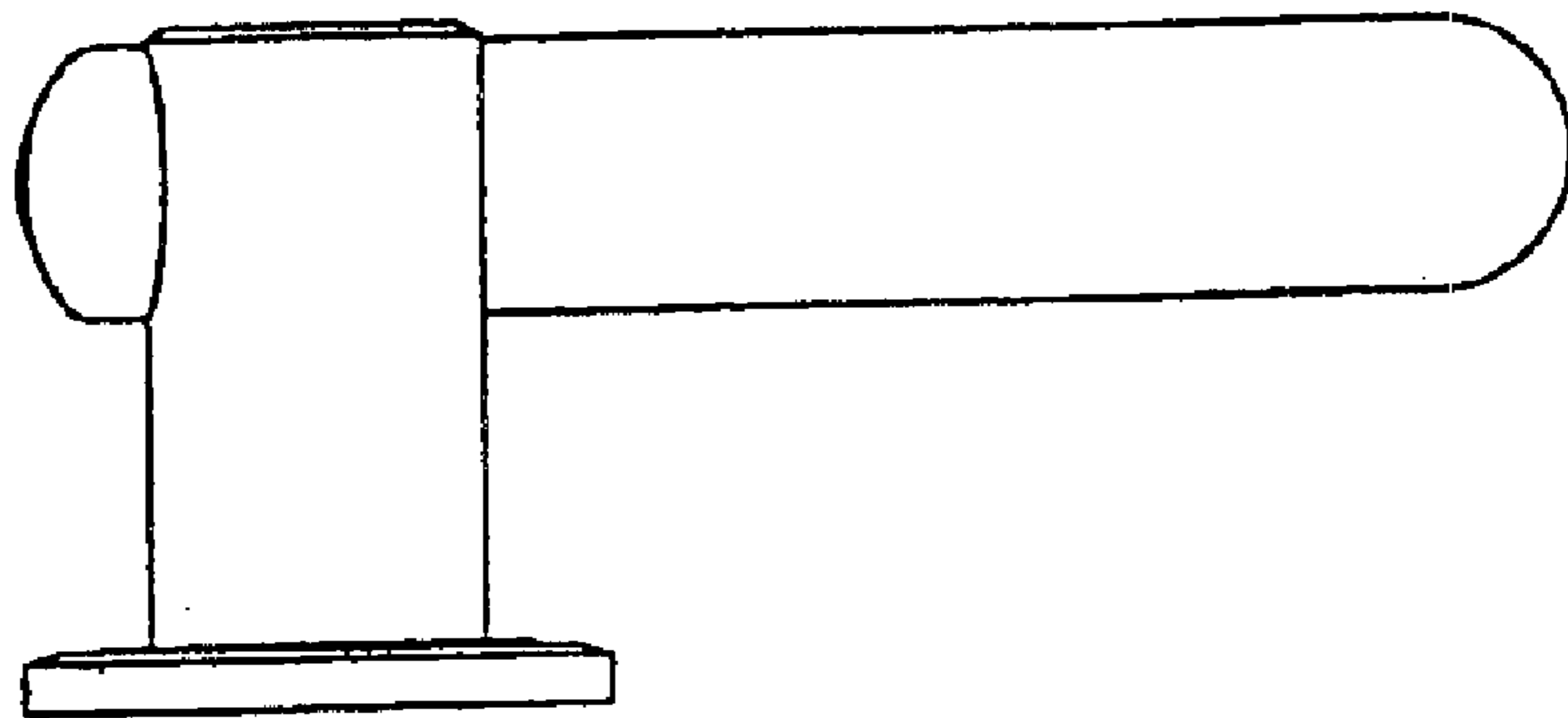


FIG. 6

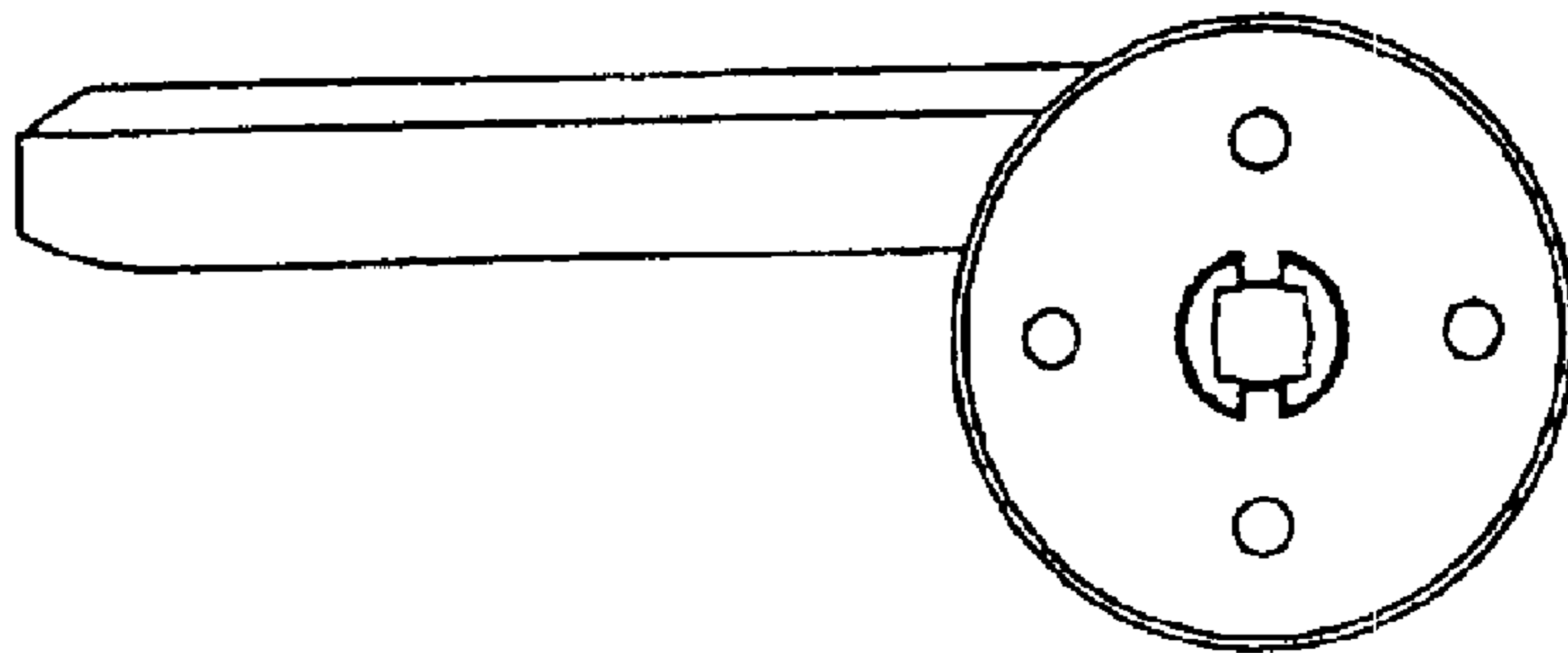


FIG. 7

