



US00D502856S

(12) **United States Design Patent** (10) **Patent No.:** **US D502,856 S**  
**Ping** (45) **Date of Patent:** **\*\* Mar. 15, 2005**

(54) **FOLDABLE HAND TOOL**

**FOREIGN PATENT DOCUMENTS**

- (75) Inventor: **Qiu Jian Ping**, Hangzhou (CN)
- (73) Assignee: **Great Neck Saw Manufacturers, Inc.**, Mineola, NY (US)
- (\*\*) Term: **14 Years**
- (21) Appl. No.: **29/198,110**
- (22) Filed: **Jan. 23, 2004**

CH	277412	11/1951
DE	29556	12/1884
DE	30788	3/1885
DE	145784	11/1903
DE	2322229	5/1974
DE	G 91 03 496.5	8/1991
EP	0783938	7/1997
FR	409943	5/1910
FR	2308470	11/1976
GB	5375	11/1882
GB	21369	3/1895
GB	17248	6/1895
GB	20299	11/1902
GB	15859	9/1904
GB	13254	9/1905
GB	14268	12/1907
GB	186520	9/1921
GB	403769	1/1934
IT	521555	3/1955
RU	1002145	3/1983

**Related U.S. Application Data**

- (60) Division of application No. 29/171,841, filed on Dec. 2, 2002, which is a continuation-in-part of application No. 29/124,955, filed on Jun. 15, 2000.
- (51) **LOC (7) Cl.** ..... **08-05**
- (52) **U.S. Cl.** ..... **D8/107; D8/55**
- (58) **Field of Search** ..... **D8/52, 54-56, D8/105-107, 98, 99; D27/142; 7/118, 125, 127-135, 165, 167, 168; 30/153, 155; 81/425.7, 486, 489, 177.4, 177.6, 324, 342, 367, 370, 390, DIG. 9**

*Primary Examiner*—Clare E. Heflin  
(74) *Attorney, Agent, or Firm*—Joseph J. Previto

(57) **CLAIM**

The ornamental design of a foldable hand tool, as shown and described.

(56) **References Cited**

**U.S. PATENT DOCUMENTS**

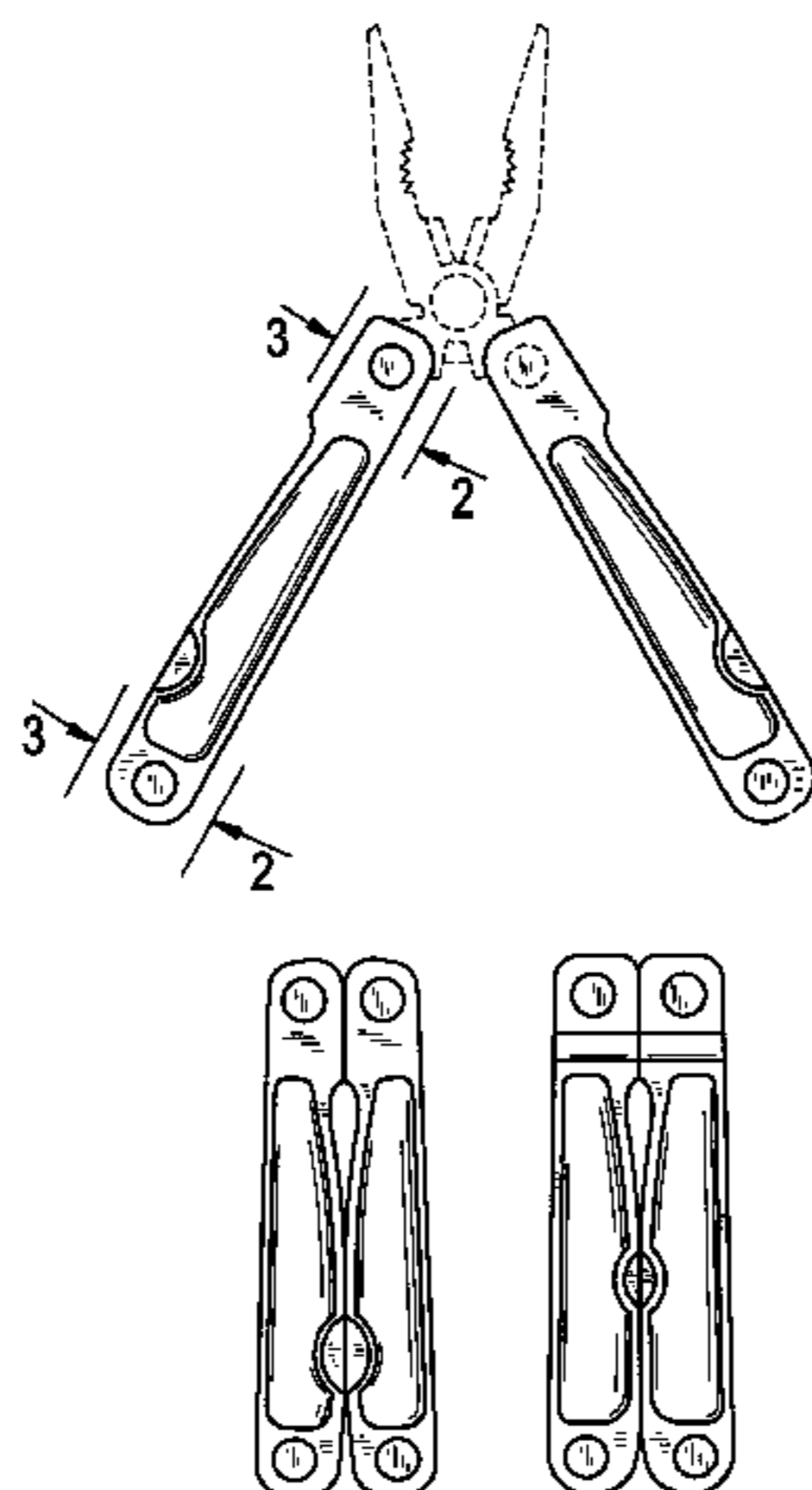
154,750 A	9/1874	Flack
164,750 A	6/1875	Meyer
237,138 A	2/1881	Slayton
266,073 A	1/1882	Augstin
295,885 A	3/1884	Pullman
310,439 A	1/1885	Kamak
337,858 A	3/1886	Neuhaus
358,312 A	2/1887	Weck
445,509 A	1/1891	Thayer
464,405 A	12/1891	Widman
542,601 A	7/1895	Bayer
580,235 A	4/1897	Strum
589,392 A	7/1897	Kelar
592,766 A	11/1897	Effinger et al.
596,096 A	12/1897	Watts

**DESCRIPTION**

FIG. 1 is a top plan view of the foldable hand tool showing the present design in an unfolded position.  
 FIG. 2 is view taken along line 2—2 of FIG. 1.  
 FIG. 3 is a view taken along line 3—3 of FIG. 1.  
 FIG. 4 is a bottom plan view thereof.  
 FIG. 5 is a plan view similar to FIG. 1 showing the foldable hand tool in a folded position; and,  
 FIG. 6 is a plan view similar to FIG. 4 showing the foldable tool in a folded position.  
 The broken lines shown on the drawings are for illustrative purposes only and form no part of the claimed design.

(List continued on next page.)

**1 Claim, 2 Drawing Sheets**



# US D502,856 S

## U.S. PATENT DOCUMENTS

614,537 A	11/1898	Dahlquist	4,744,272 A	5/1988	Leatherman
649,334 A	5/1900	Meloos	4,805,303 A	2/1989	Gibbs
662,005 A	11/1900	Lewis	4,888,869 A	12/1989	Leatherman
696,995 A	4/1902	Moser	4,896,424 A	1/1990	Walker
762,725 A	6/1904	Kaufmann	4,942,637 A	7/1990	Yeang Yai
790,432 A	5/1905	Heilrath	4,995,128 A	2/1991	Montgomery et al.
857,459 A	6/1907	Kendrickson	5,014,379 A	5/1991	Hull et al.
858,003 A	6/1907	Klever	5,029,355 A	7/1991	Thai
881,294 A	3/1908	Billings	5,044,079 A	9/1991	Gibbs
896,746 A	8/1908	McCarty	5,062,173 A	11/1991	Collins et al.
948,231 A	2/1910	Libby	5,074,046 A	12/1991	Kolesky
988,068 A	3/1911	Beardsley et al.	5,119,520 A	6/1992	Finn
1,174,132 A	3/1916	Dragun	D327,826 S	7/1992	Neff
1,184,746 A	5/1916	Hanson	5,142,721 A	9/1992	Sessions et al.
1,187,842 A	6/1916	Kaas	5,157,996 A	10/1992	Keyvani
1,194,296 A	8/1916	Jones et al.	5,207,012 A	5/1993	Lael
1,334,425 A	3/1920	Wernimont	5,212,844 A	5/1993	Sessions et al.
1,370,906 A	3/1921	Newton	D338,386 S	8/1993	Frazer
1,461,270 A	7/1923	Garrison	5,267,366 A	12/1993	Frazer
1,467,661 A	9/1923	Undy	5,320,004 A	6/1994	Hsiao
1,472,826 A	11/1923	Champlin	D356,019 S	3/1995	Sakai
1,474,592 A	11/1923	Jacoby	D365,266 S	12/1995	Hasegawa
1,486,725 A	3/1924	Brown	5,491,856 A	2/1996	Legg
1,511,340 A	10/1924	Jackson	D367,807 S	3/1996	Hung
1,524,694 A	2/1925	Di Maio	5,497,522 A	3/1996	Chen
1,551,328 A	8/1925	Perry	D368,634 S	4/1996	Frazer
1,561,833 A	11/1925	Cruickshank	D371,498 S	7/1996	Lai
1,561,993 A	11/1925	Nielsen	5,537,750 A	7/1996	Seber et al.
1,619,181 A	3/1927	Beretz	D382,182 S	8/1997	Seber
1,828,121 A	10/1931	Adam	D384,872 S	10/1997	Yeh
2,057,201 A	10/1936	Mc Cluskey	D385,170 S	10/1997	Rivera
D112,590 S	12/1938	MacPherson	5,697,114 A	12/1997	McIntosh et al.
D137,408 S	3/1944	Frisk	5,745,997 A	5/1998	Berg et al.
D149,934 S	6/1948	Cobb	5,765,247 A	6/1998	Seber et al.
2,514,130 A	7/1950	Jones	5,809,853 A	9/1998	Hudson
2,561,682 A	7/1951	Barnett	D407,286 S	3/1999	Seber et al.
2,575,652 A	11/1951	Bovee	D407,287 S	3/1999	Seber et al.
2,606,471 A	8/1952	Kollweck	D407,616 S	4/1999	Seber
2,641,149 A	6/1953	Petersen	D407,621 S	4/1999	Koon
2,714,249 A	8/1955	Clark et al.	D410,833 S	6/1999	Hasegawa
2,747,446 A	5/1956	Eder	D414,092 S	9/1999	Chang
2,779,098 A	1/1957	Pocoski et al.	5,964,131 A	10/1999	Seber et al.
2,814,108 A	11/1957	Passott	D416,184 S	11/1999	Gathmann
3,044,081 A	7/1962	Robingson, Jr.	D416,186 S	11/1999	Bololia
3,364,508 A	1/1968	Garrett	5,979,059 A	11/1999	Leatherman
3,798,687 A	3/1974	Stevens	5,979,959 A	11/1999	Rivera
3,858,258 A	1/1975	Stevens	D417,380 S	12/1999	Kayson
3,947,905 A	4/1976	Neff	5,996,451 A	12/1999	Seber et al.
4,208,749 A	6/1980	Herman et al.	6,006,385 A	12/1999	Kershaw et al.
4,238,862 A	12/1980	Leatherman	D419,849 S	2/2000	Kayson
4,297,756 A	11/1981	Lance	6,047,426 A	4/2000	McIntosh et al.
4,330,937 A	5/1982	Cope	D440,846 S	4/2001	Saunders
4,347,665 A	9/1982	Glessner	D442,841 S	5/2001	Balolia
4,364,174 A	12/1982	De Asis	D445,326 S *	7/2001	Alfaro ..... D8/107
4,502,220 A	3/1985	Aoki	6,318,218 B1	11/2001	Anderson
4,512,051 A	4/1985	Magan	D458,527 S	6/2002	Ping
4,555,822 A	12/1985	Miceli	D469,328 S	1/2003	Ping
4,563,833 A	1/1986	Aucoin	D476,546 S	7/2003	Ping
D286,501 S	11/1986	Magan	D477,766 S	7/2003	Ping
4,648,145 A	3/1987	Miceli	6,694,558 B2	2/2004	Ping
4,669,140 A	6/1987	Miceli			

\* cited by examiner

FIG. 1

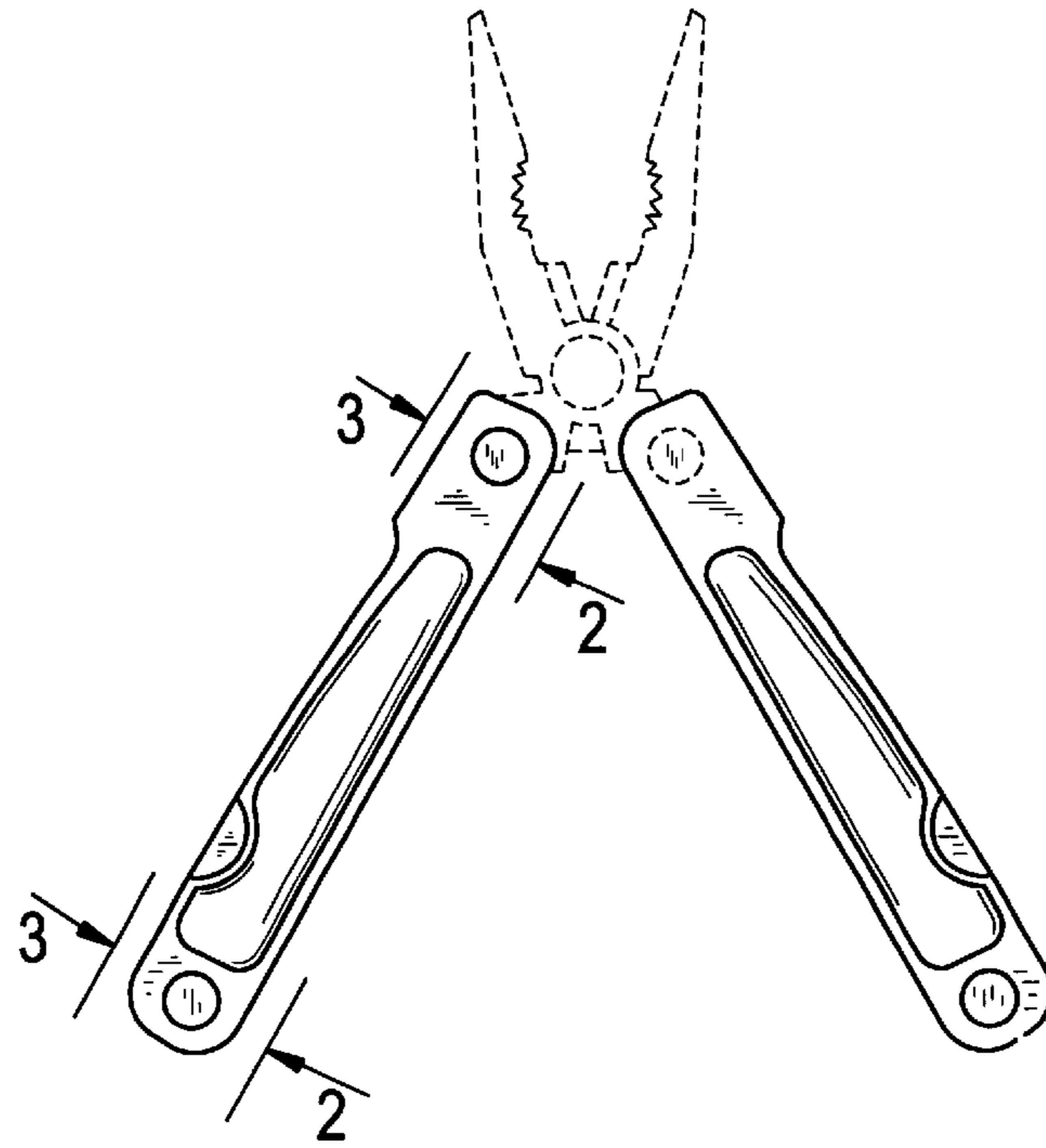


FIG. 4

FIG. 2

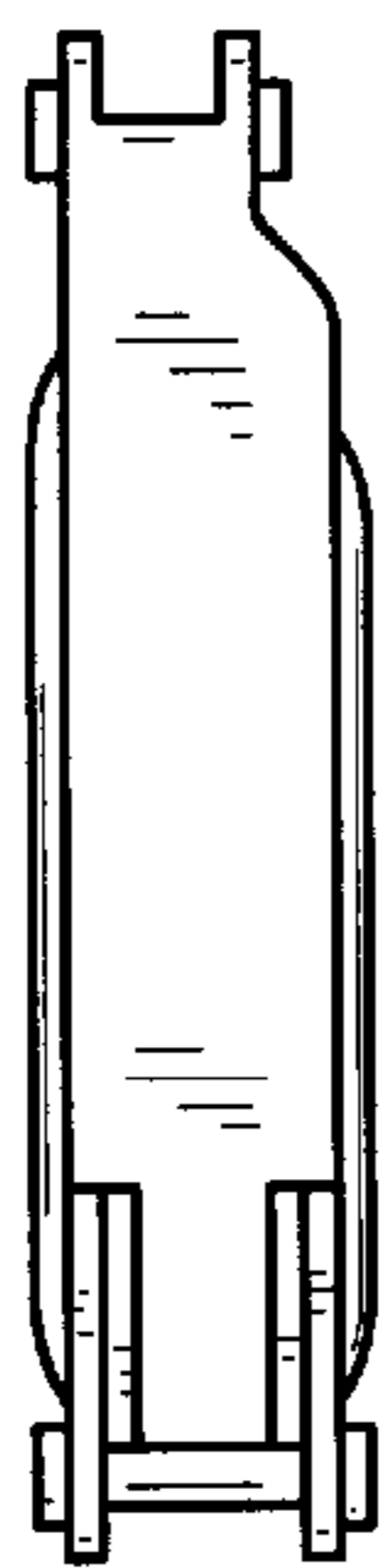


FIG. 3

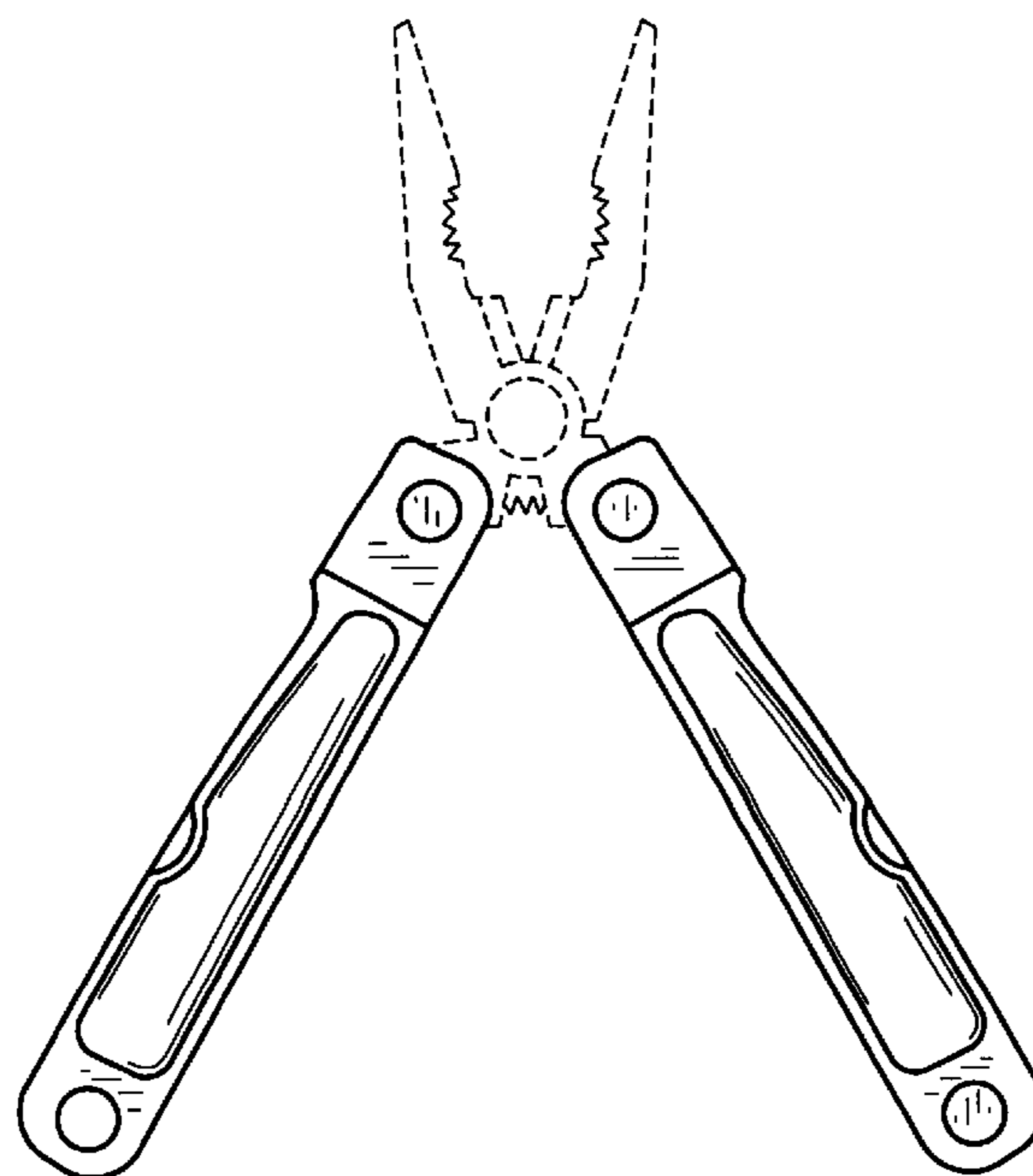
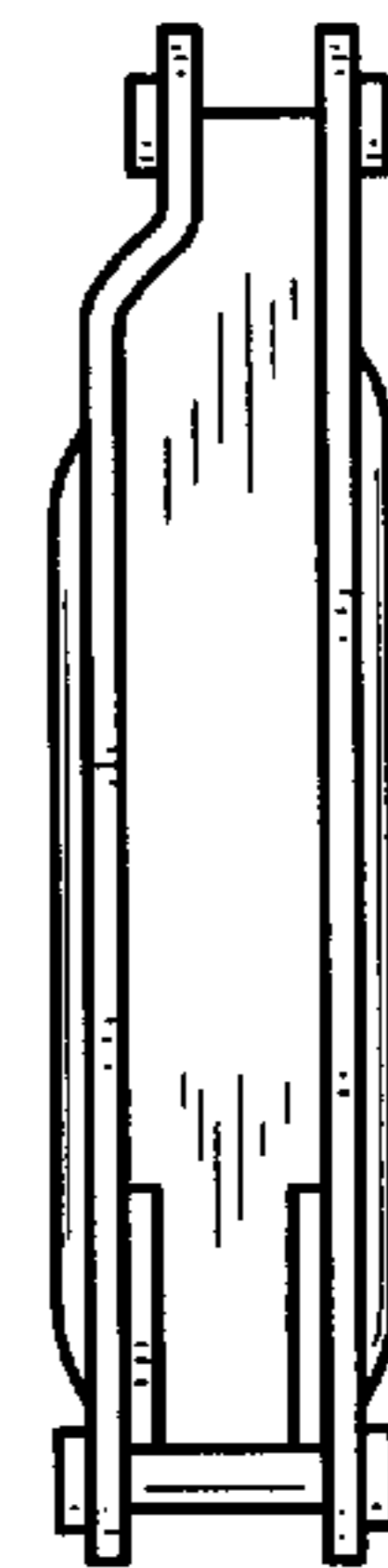


FIG. 5

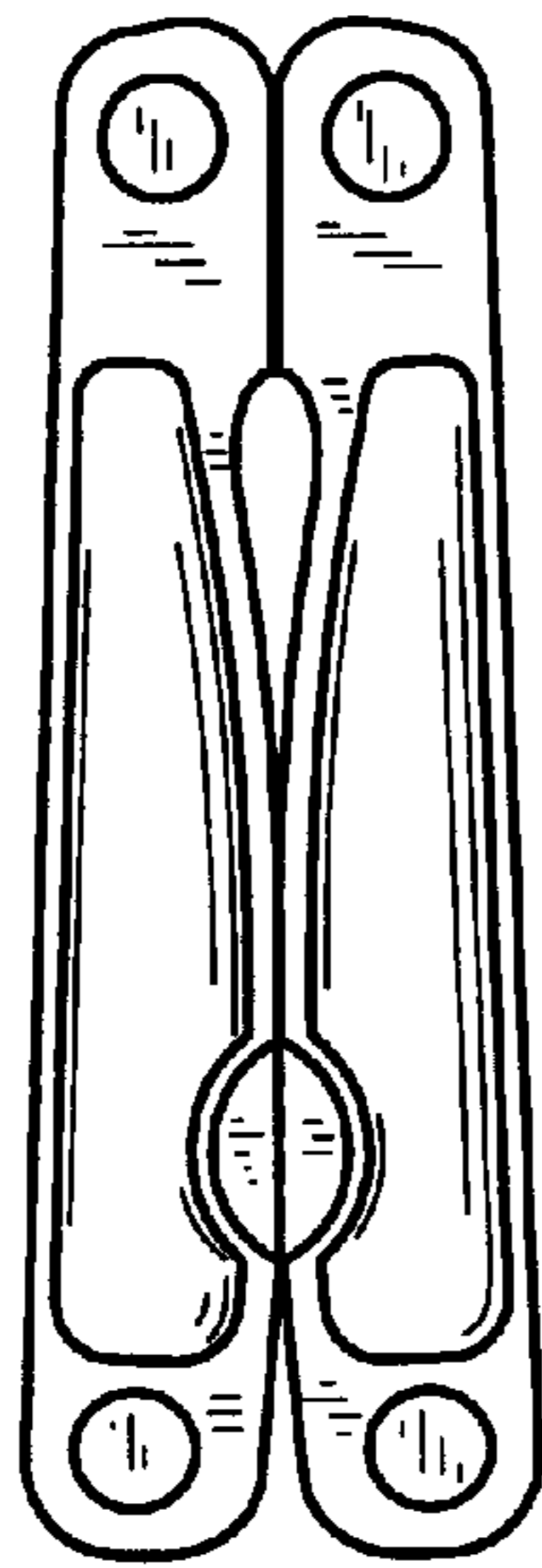


FIG. 6

