

US00D502854S

(12) **United States Design Patent**
Ng

(10) **Patent No.:** US D502,854 S
(45) **Date of Patent:** ** Mar. 15, 2005

(54) **ROTARY DRIVING TOOL**
(75) **Inventor:** David Wai Wah Ng, Hong Kong (CN)
(73) **Assignee:** Winsource Industries Limited,
Kowloon (CN)
(**) **Term:** 14 Years

D403,936 S	*	1/1999	Somers	D8/61
D420,878 S	*	2/2000	Li	D8/69
6,060,801 A	*	5/2000	Anderson	310/50
D436,819 S	*	1/2001	Liu	D8/68
6,334,743 B1	*	1/2002	Liao	408/241 R
D459,178 S	*	6/2002	Heun	D8/68
D462,593 S	*	9/2002	Nottingham et al.	D8/68
D468,610 S	*	1/2003	Chien	D8/68
D485,737 S	*	1/2004	Levine et al.	D8/68

(21) **Appl. No.:** 29/198,117

* cited by examiner

(22) **Filed:** Jan. 23, 2004

Primary Examiner—Joel A. Sincavage

Assistant Examiner—T. Chase Nelson

(51) **LOC (7) Cl.** 08-05

(74) *Attorney, Agent, or Firm*—Alix, Yale & Ristas, LLP

(52) **U.S. Cl.** D8/68

(58) **Field of Search** D8/14.1, 61, 62,
D8/63, 64, 65, 66, 67, 68, 69, 70; 81/57.11,
429, 464, 465, 466, 469, 489; 173/13, 169,
178, 213, 217; 227/8, 114, 120, 130, 136,
142; 310/50; 408/20, 124, 125, 234, 241 R;
451/358

(57) **CLAIM**

The ornamental design for a rotary driving tool, as shown and described.

DESCRIPTION

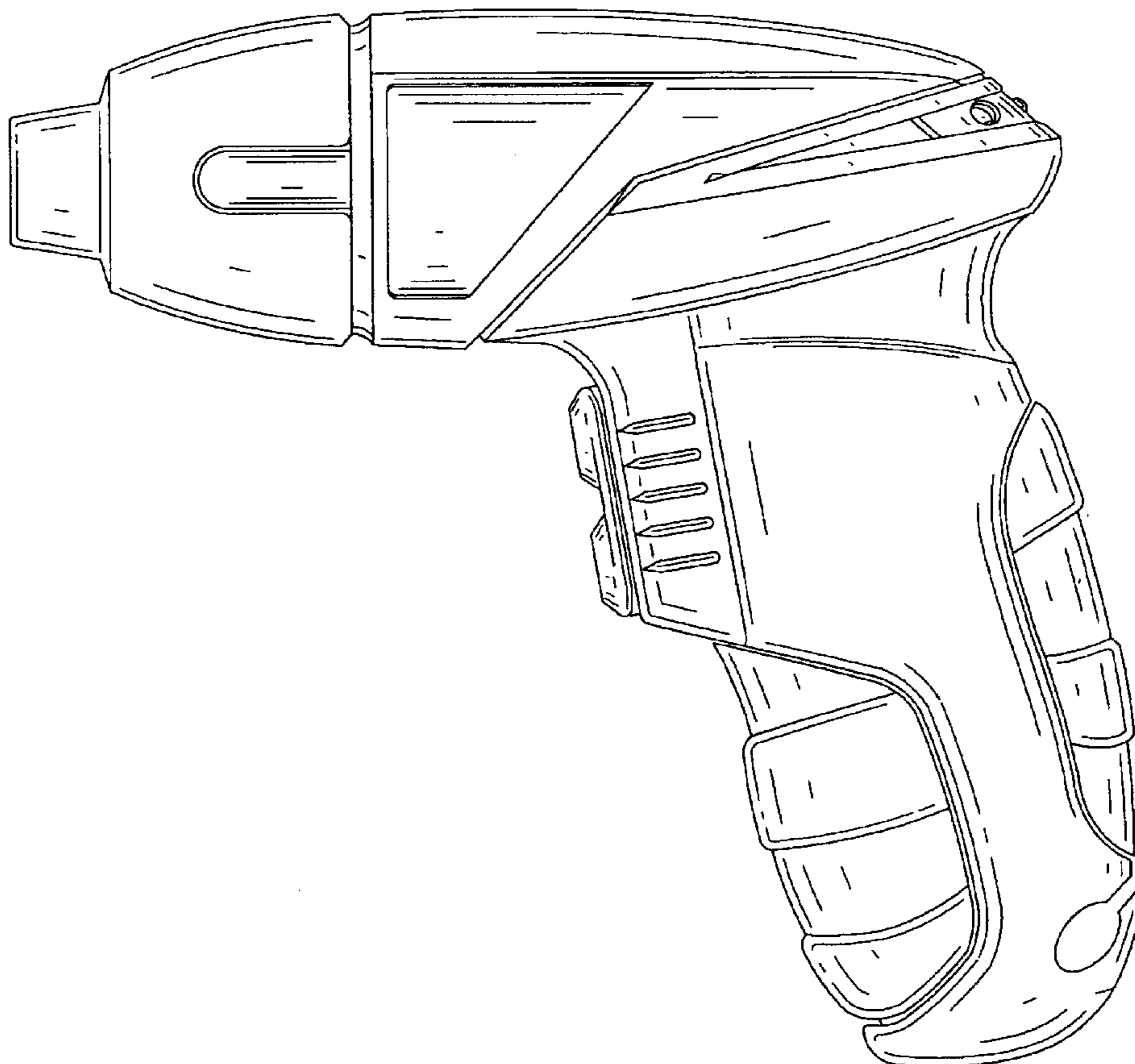
FIG. 1 is a left side elevational view of a rotary driving tool showing my new design;
FIG. 2 is a right side elevational view thereof;
FIG. 3 is a top plan view thereof;
FIG. 4 is a bottom plan view thereof;
FIG. 5 is a front elevational view thereof; and,
FIG. 6 is a rear elevational view thereof.

(56) **References Cited**

U.S. PATENT DOCUMENTS

D136,743 S	*	11/1943	Little	D8/68
D154,713 S	*	8/1949	Robillard	D8/68
D229,270 S	*	11/1973	Sciascia	D8/68
D239,917 S	*	5/1976	Baker	D8/68
4,448,098 A	*	5/1984	Totsu	81/57.11

1 Claim, 6 Drawing Sheets



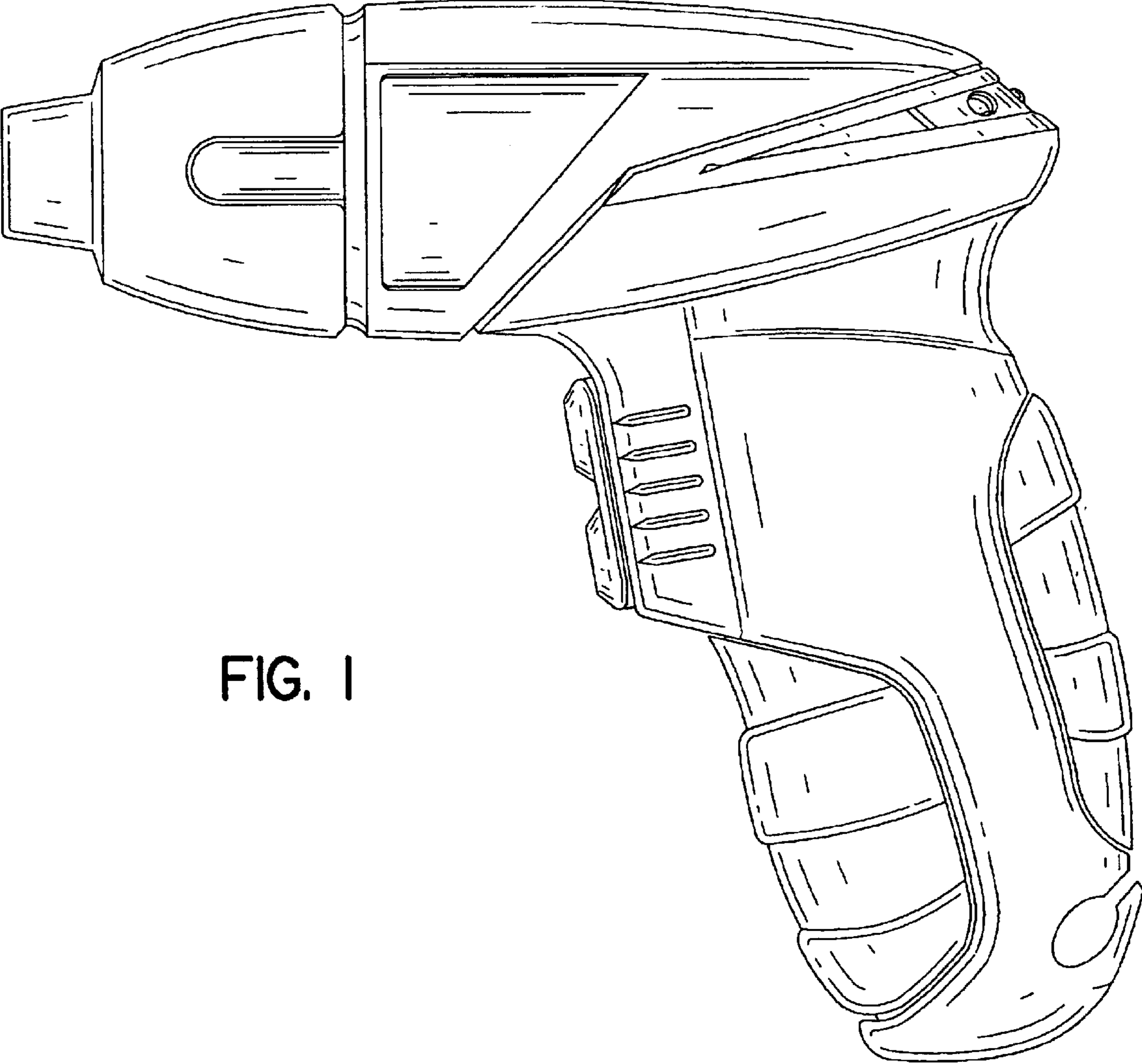


FIG. 1

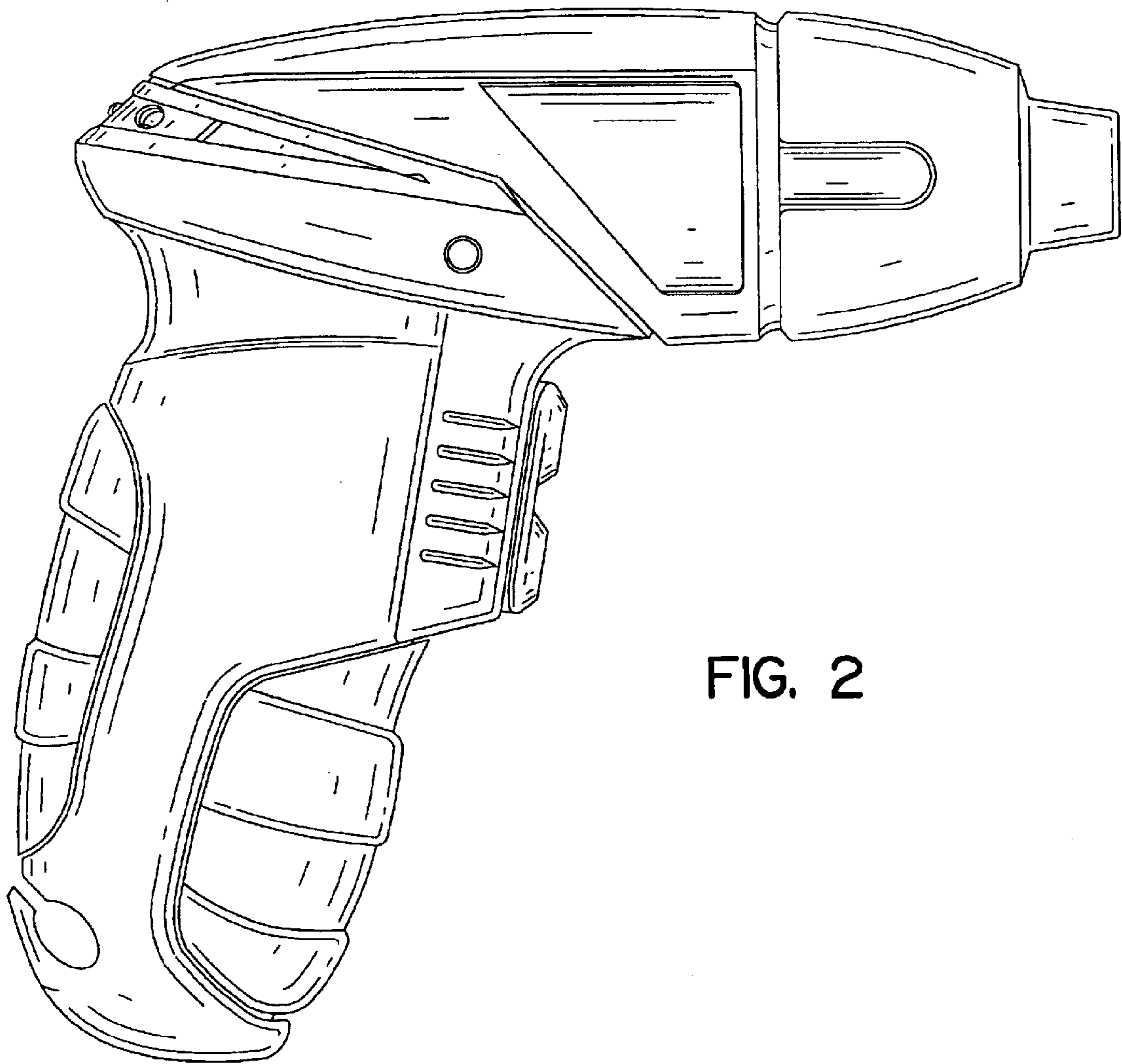


FIG. 2

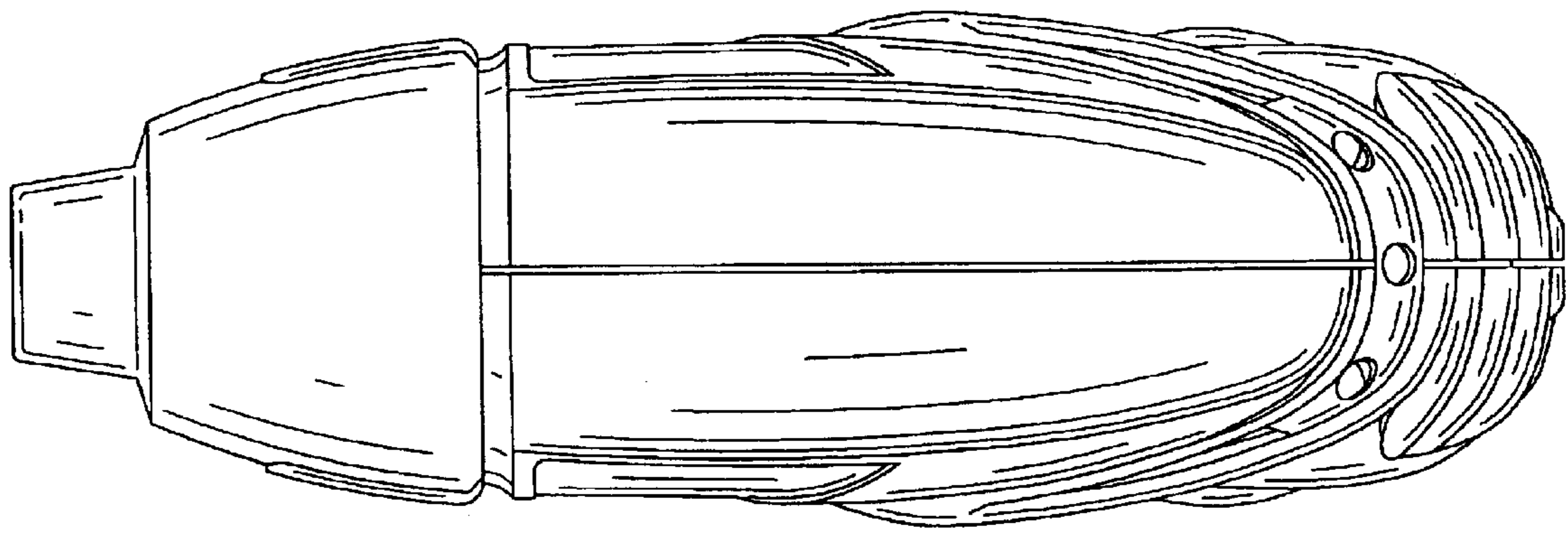


FIG. 3

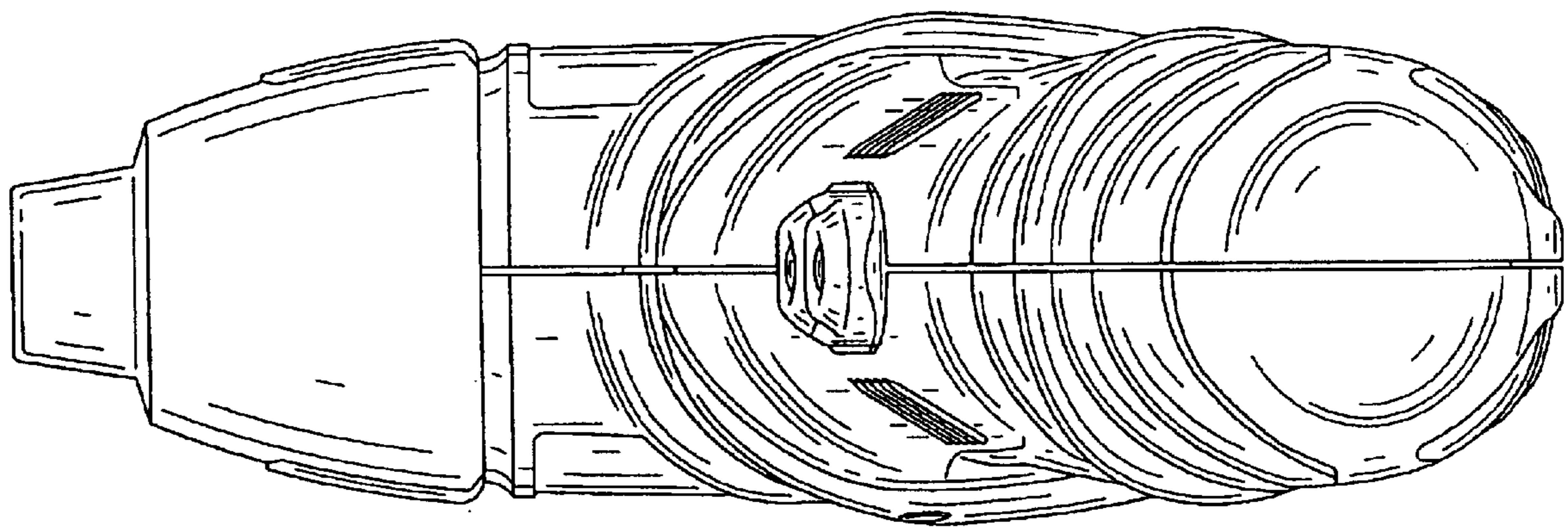


FIG. 4

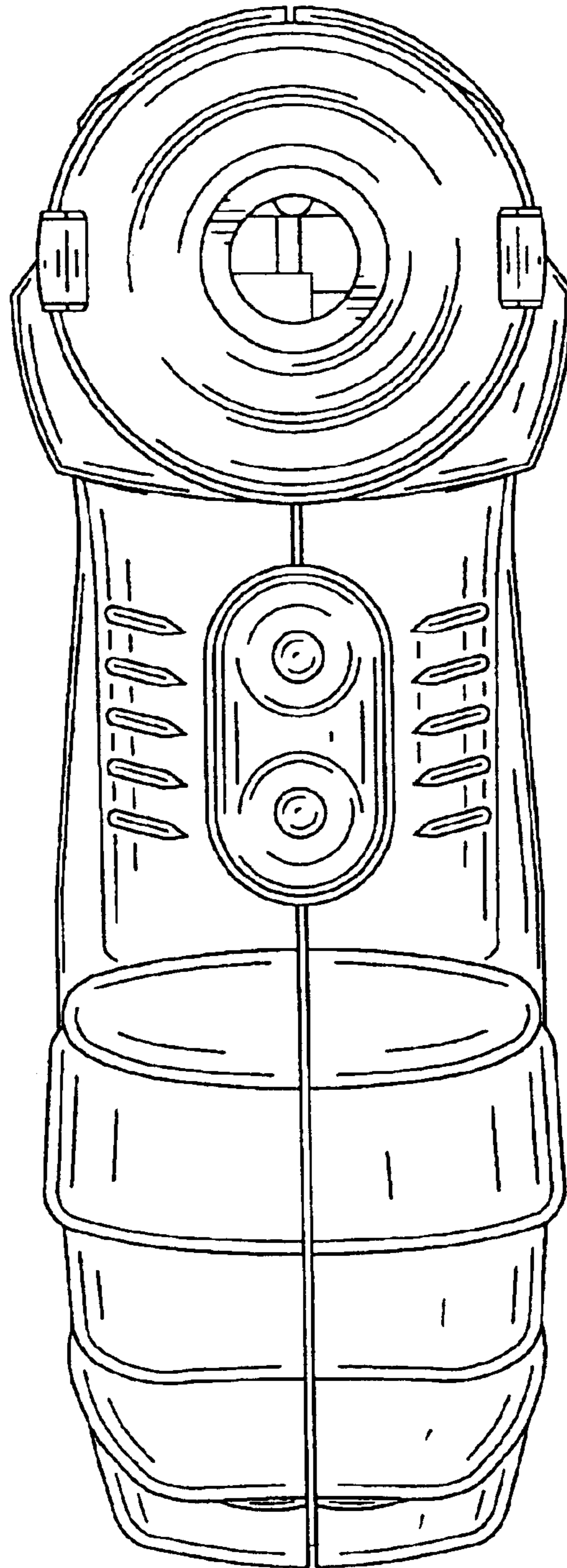


FIG. 5

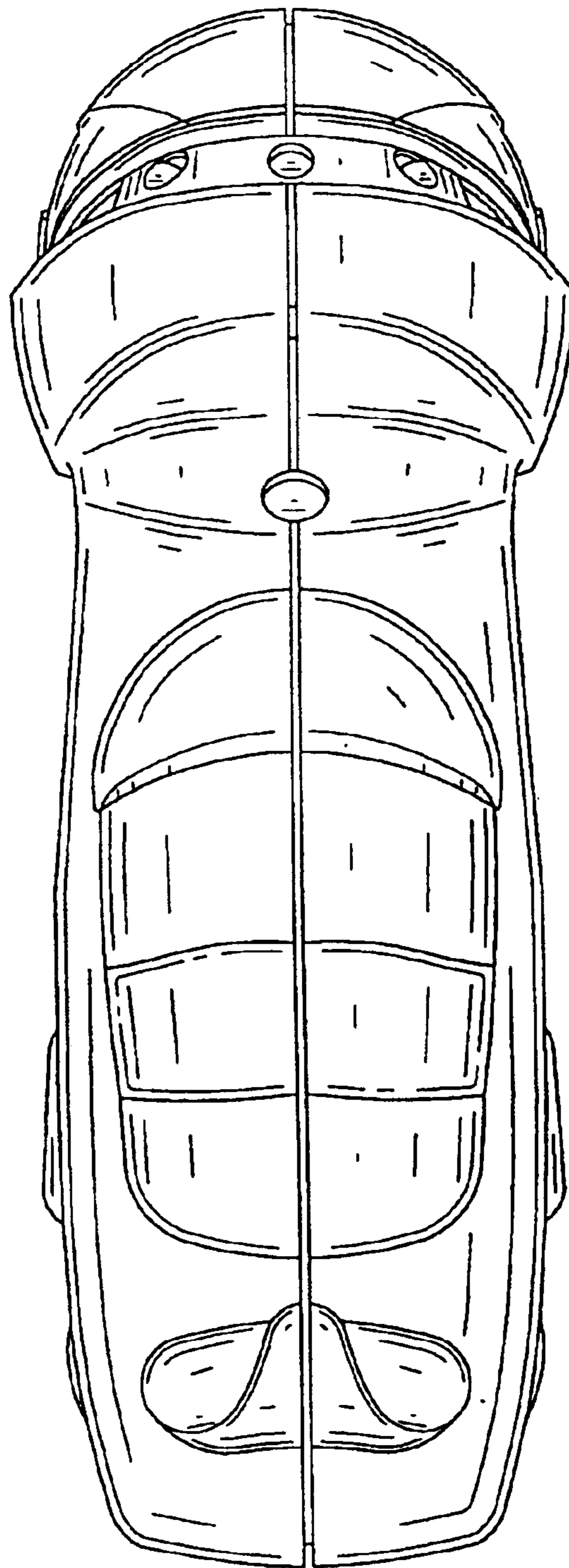


FIG. 6