



US00D502853S

(12) **United States Design Patent**
Peterson

(10) **Patent No.: US D502,853 S**
(45) **Date of Patent: ** Mar. 15, 2005**

(54) **SCISSORS**

- (75) Inventor: **Michael Peterson**, Fairfield, CT (US)
- (73) Assignee: **Acme United Corporation**, Fairfield, CT (US)
- (**) Term: **14 Years**
- (21) Appl. No.: **29/188,787**
- (22) Filed: **Aug. 22, 2003**
- (51) **LOC (7) Cl.** **08-03**
- (52) **U.S. Cl.** **D8/57**
- (58) **Field of Search** D8/57, 107; 7/135, 7/136; 30/131, 195, 358, 229-262

(56) **References Cited**

U.S. PATENT DOCUMENTS

4,073,058	A	*	2/1978	Solf et al.	30/257
D393,404	S	*	4/1998	Jacquet	D8/57
D413,778	S	*	9/1999	Matthews et al.	D8/57
6,000,138	A	*	12/1999	Bornancini	30/232
D446,099	S	*	8/2001	Pia	D8/57
D448,261	S	*	9/2001	Pia	D8/57
D472,121	S	*	3/2003	Wolff	D8/57

OTHER PUBLICATIONS

Guernsey Office Products' 2001 General Line Catalog, (c)2000. (4 pages) All scissors shown on pp. 975 through 978.*

* cited by examiner

Primary Examiner—Clare E Heflin

(57) **CLAIM**

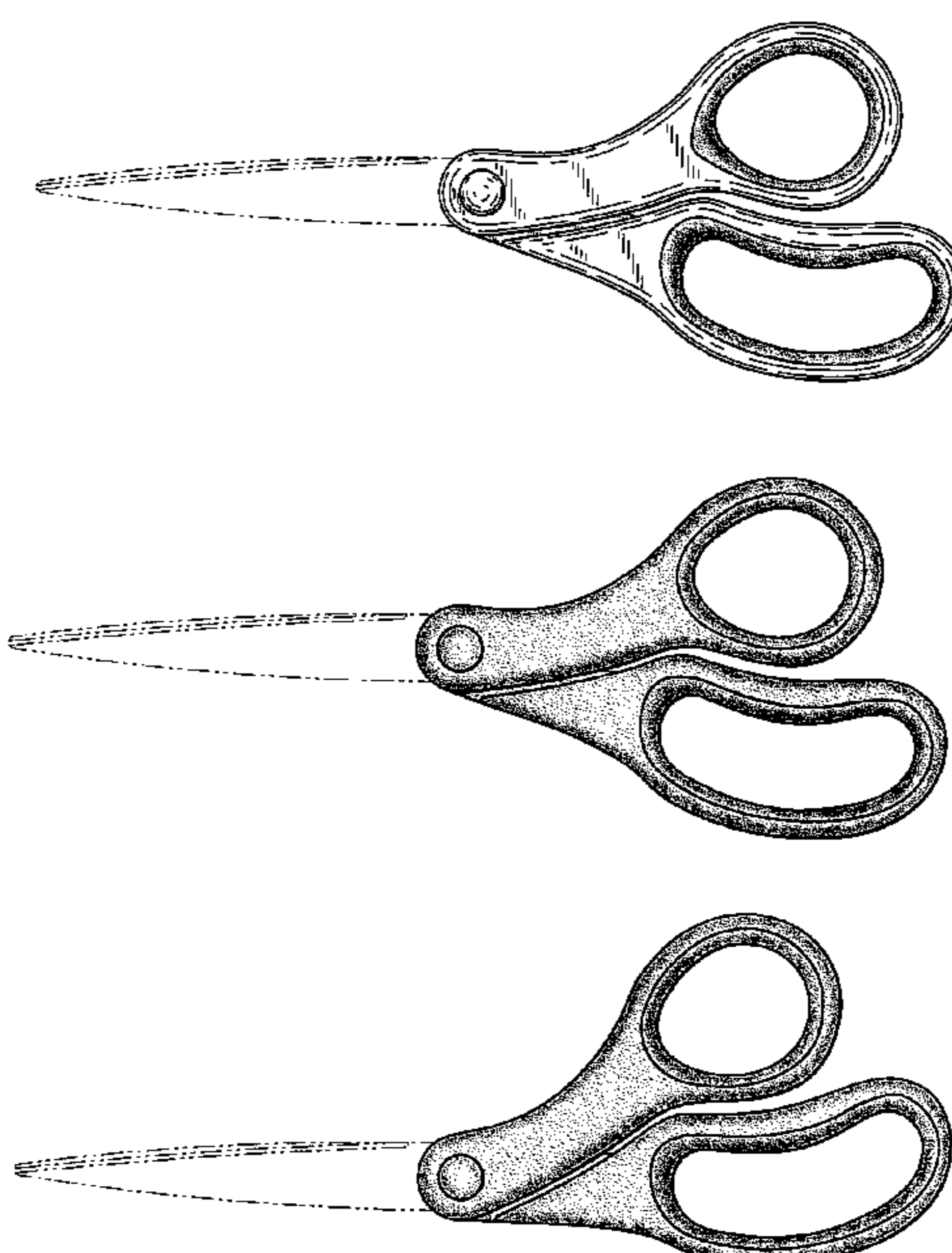
The ornamental design for scissors, as shown and described.

DESCRIPTION

FIG. 1 is a perspective view of the scissors according to the present invention;
 FIG. 2 is a front plan view of the scissors of FIG. 1;
 FIG. 3 is a rear plan view of the scissors, rotated 180 degrees from the view of FIG. 2, of the scissors of FIG. 1;
 FIG. 4 is a side view of the scissors of FIG. 1;
 FIG. 5 is an opposite side view of the scissors of FIG. 1;
 FIG. 6 is a first end view of the scissors of FIG. 1; and
 FIG. 7 is a second, opposite end view of the scissors of FIG. 1;
 FIG. 8 is a perspective view of a first alternative embodiment of the scissors of FIG. 1;
 FIG. 9 is a front plan view of the scissors of FIG. 8;
 FIG. 10 is a rear plan view of the scissors, rotated 180 degrees from the view of FIG. 9, of the scissors of FIG. 8;
 FIG. 11 is a side view of the scissors of FIG. 8;
 FIG. 12 is an opposite side view of the scissors of FIG. 8;
 FIG. 13 is a first end view of the scissors of FIG. 8;
 FIG. 14 is a second, opposite end view of the scissors of FIG. 8;
 FIG. 15 is a perspective view of a second alternative embodiment of the scissors of FIG. 1;
 FIG. 16 is a front plan view of the scissors of FIG. 15;
 FIG. 17 is a rear plan view of the scissors, rotated 180 degrees from the view of FIG. 16, of the scissors of FIG. 15;
 FIG. 18 is a side view of the scissors of FIG. 15;
 FIG. 19 is an opposite side view of the scissors of FIG. 15;
 FIG. 20 is a first end view of the scissors of FIG. 15; and,
 FIG. 21 is a second, opposite end view of the scissors of FIG. 15.

The broken lines shown on the drawings are for illustrative purposes only and form no part of the claimed design.

1 Claim, 9 Drawing Sheets



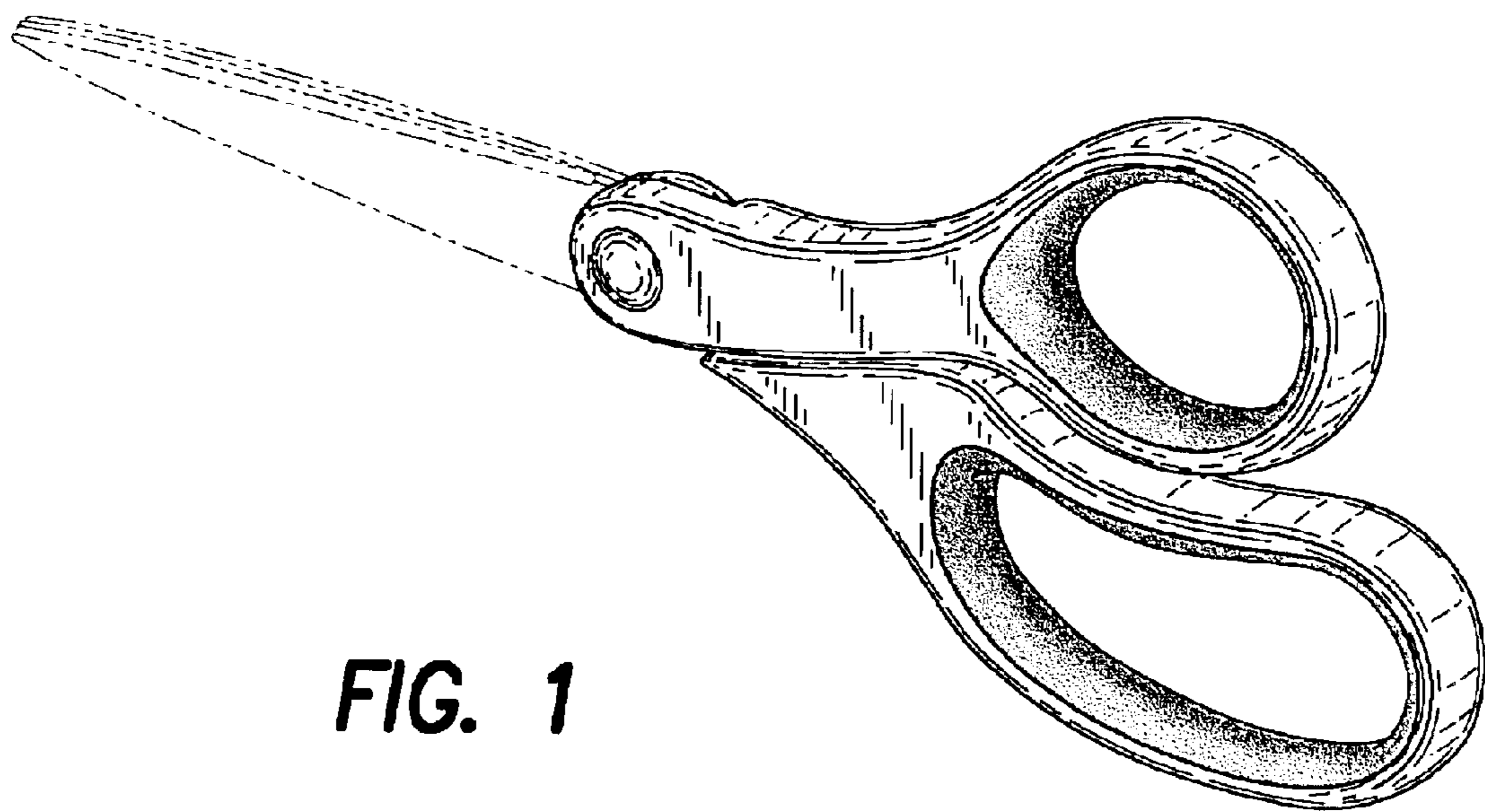


FIG. 1

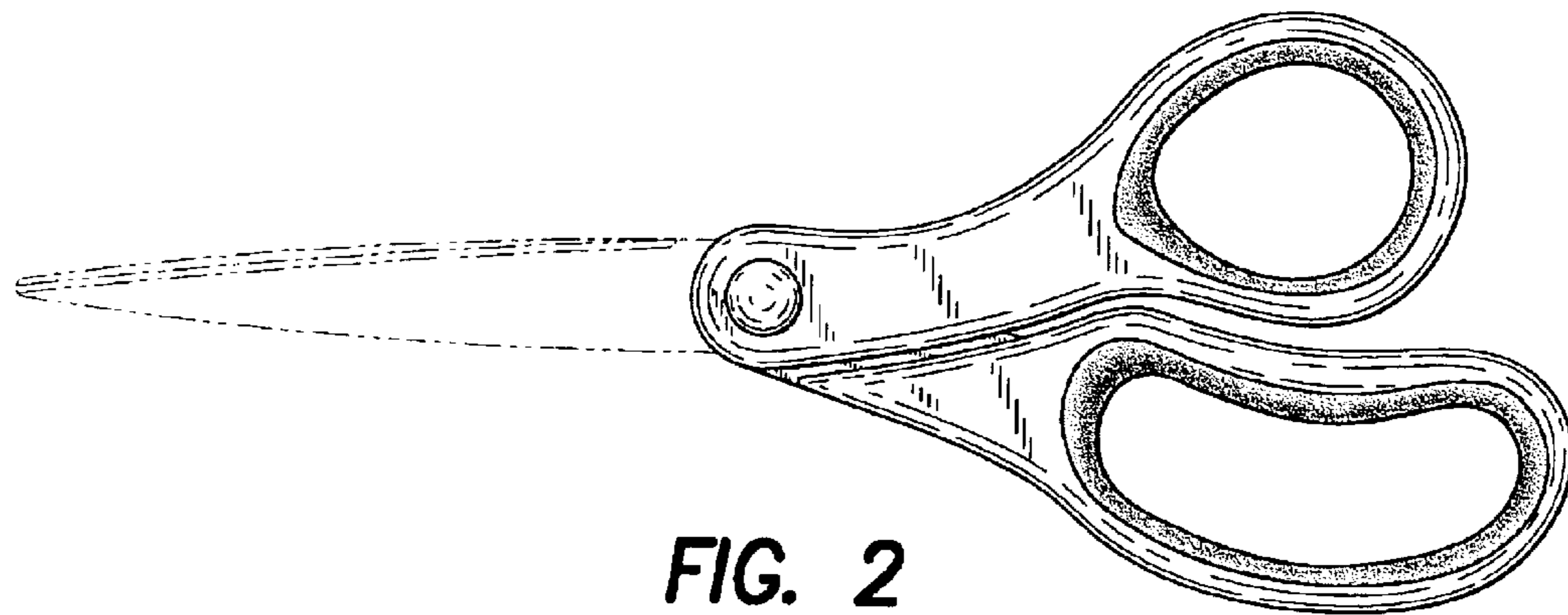


FIG. 2

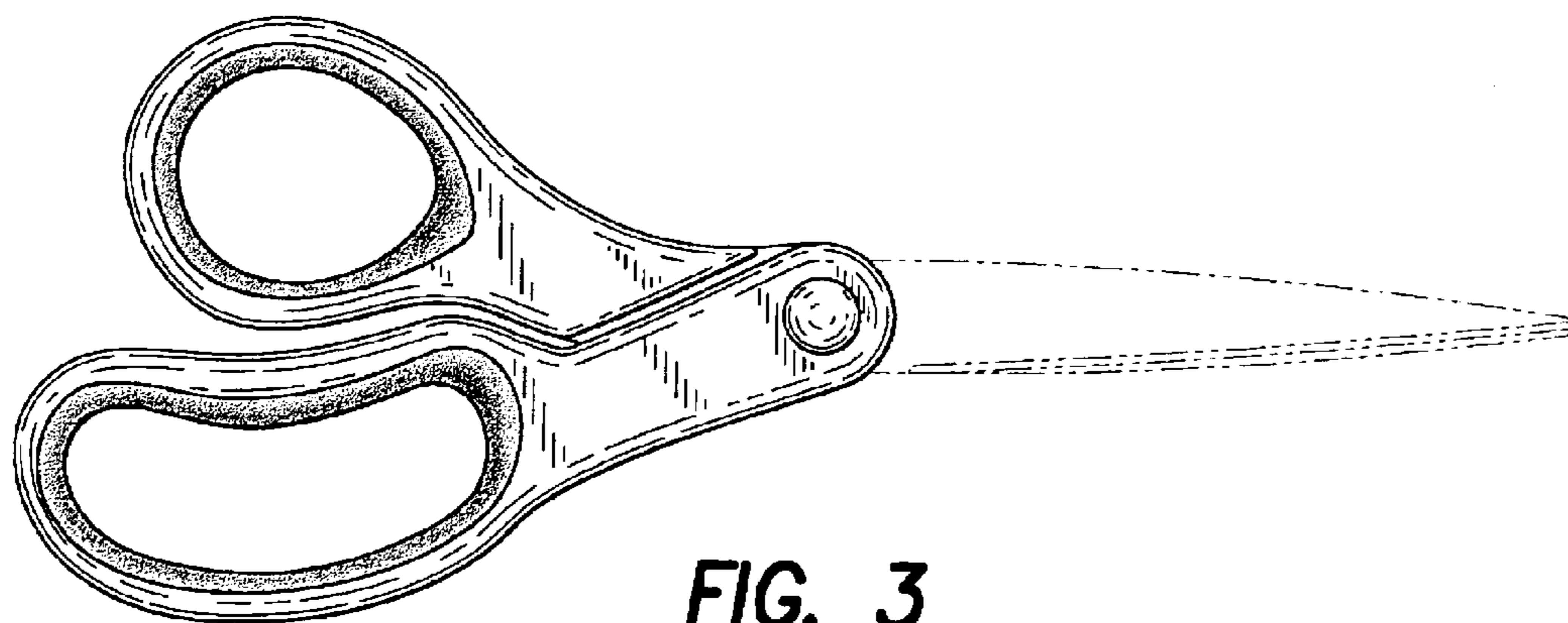


FIG. 3



FIG. 4



FIG. 5



FIG. 6



FIG. 7

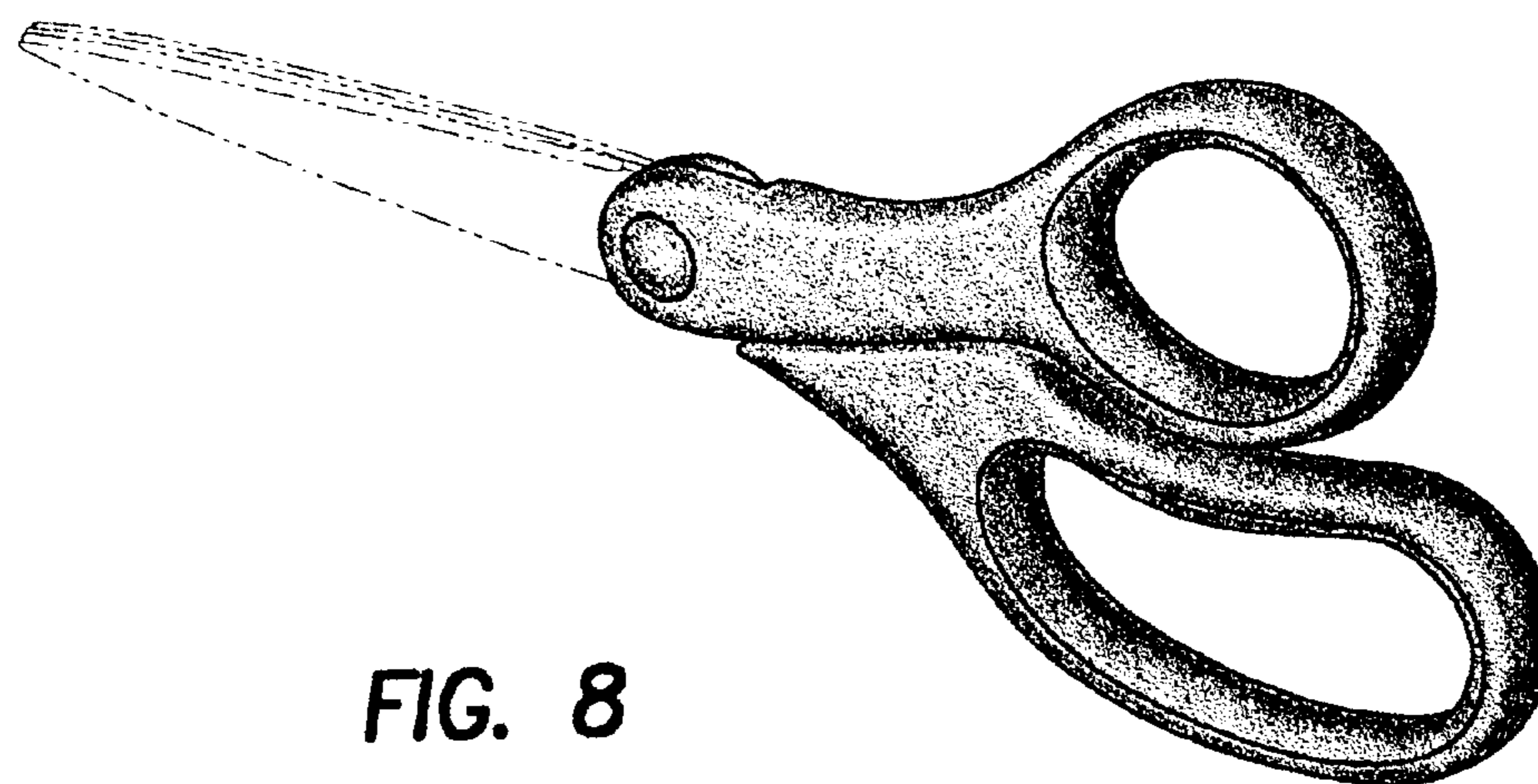


FIG. 8

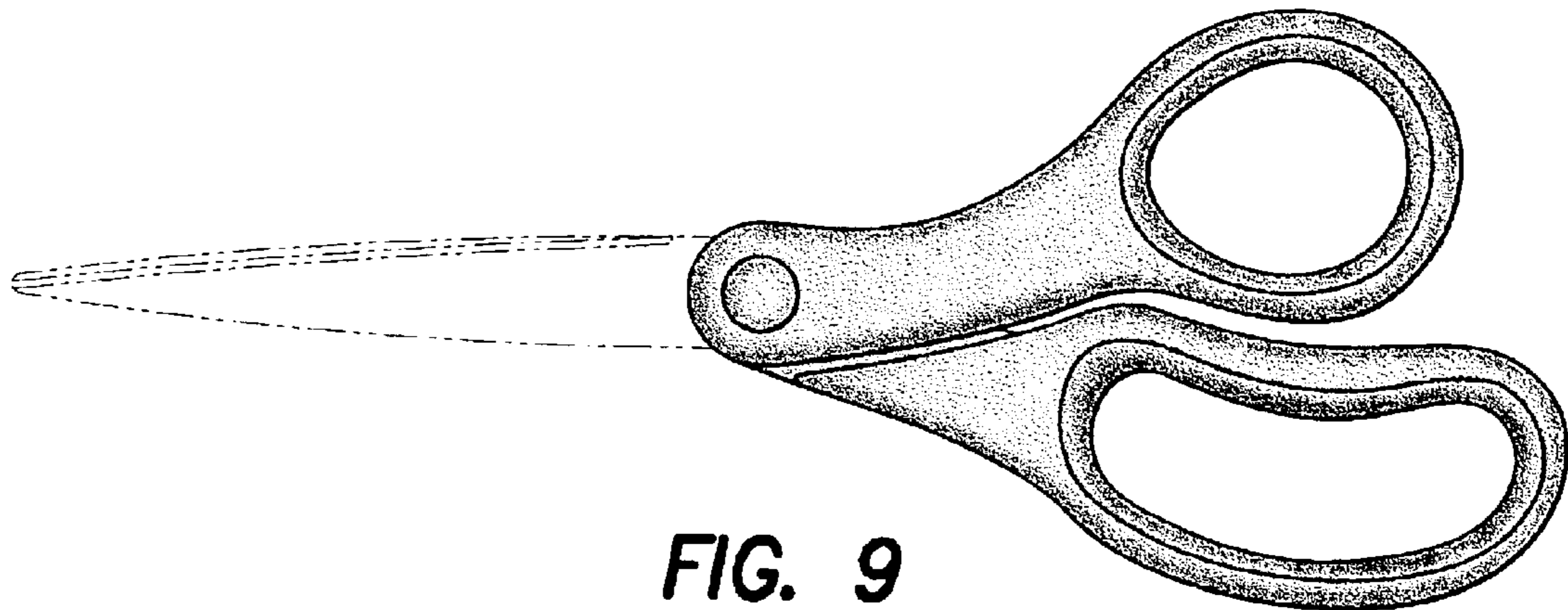


FIG. 9

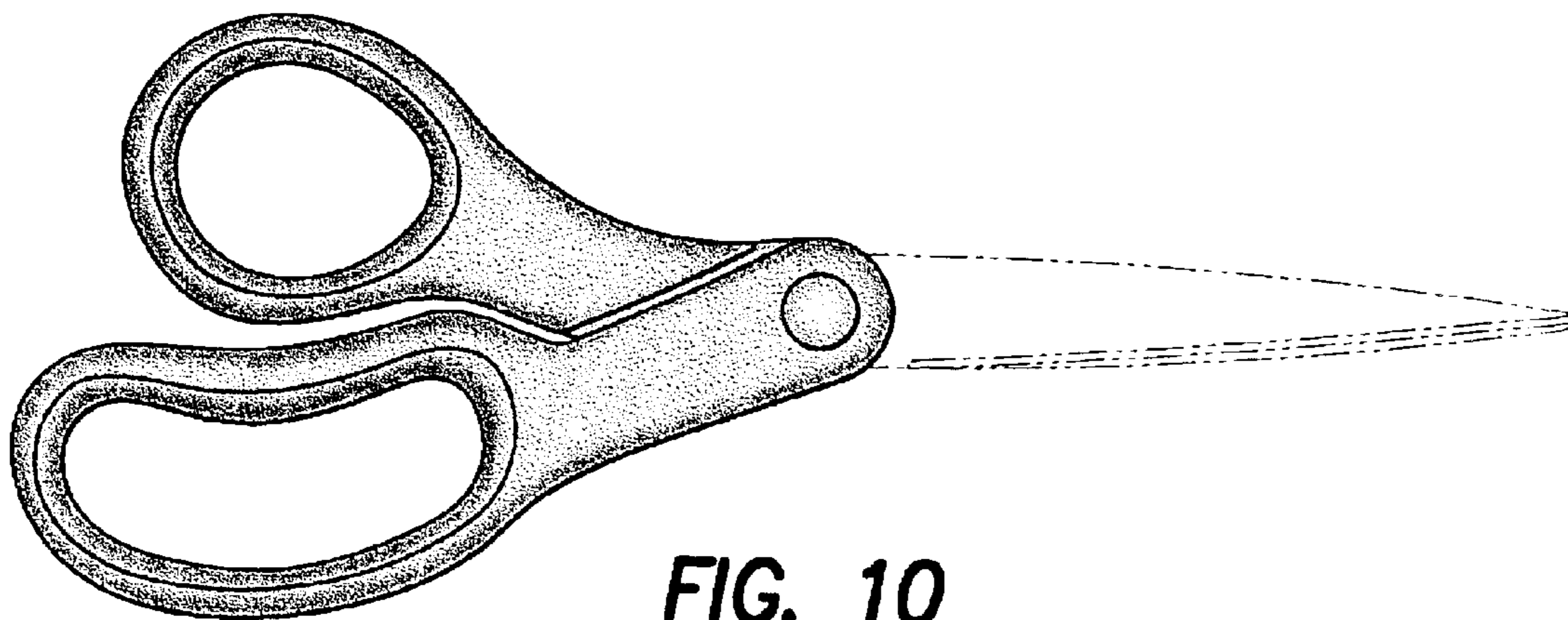


FIG. 10



FIG. 11



FIG. 12

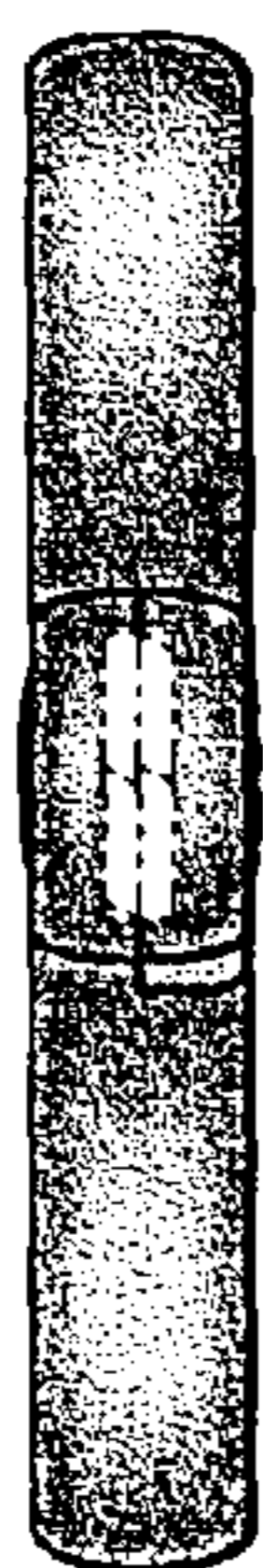


FIG. 13



FIG. 14

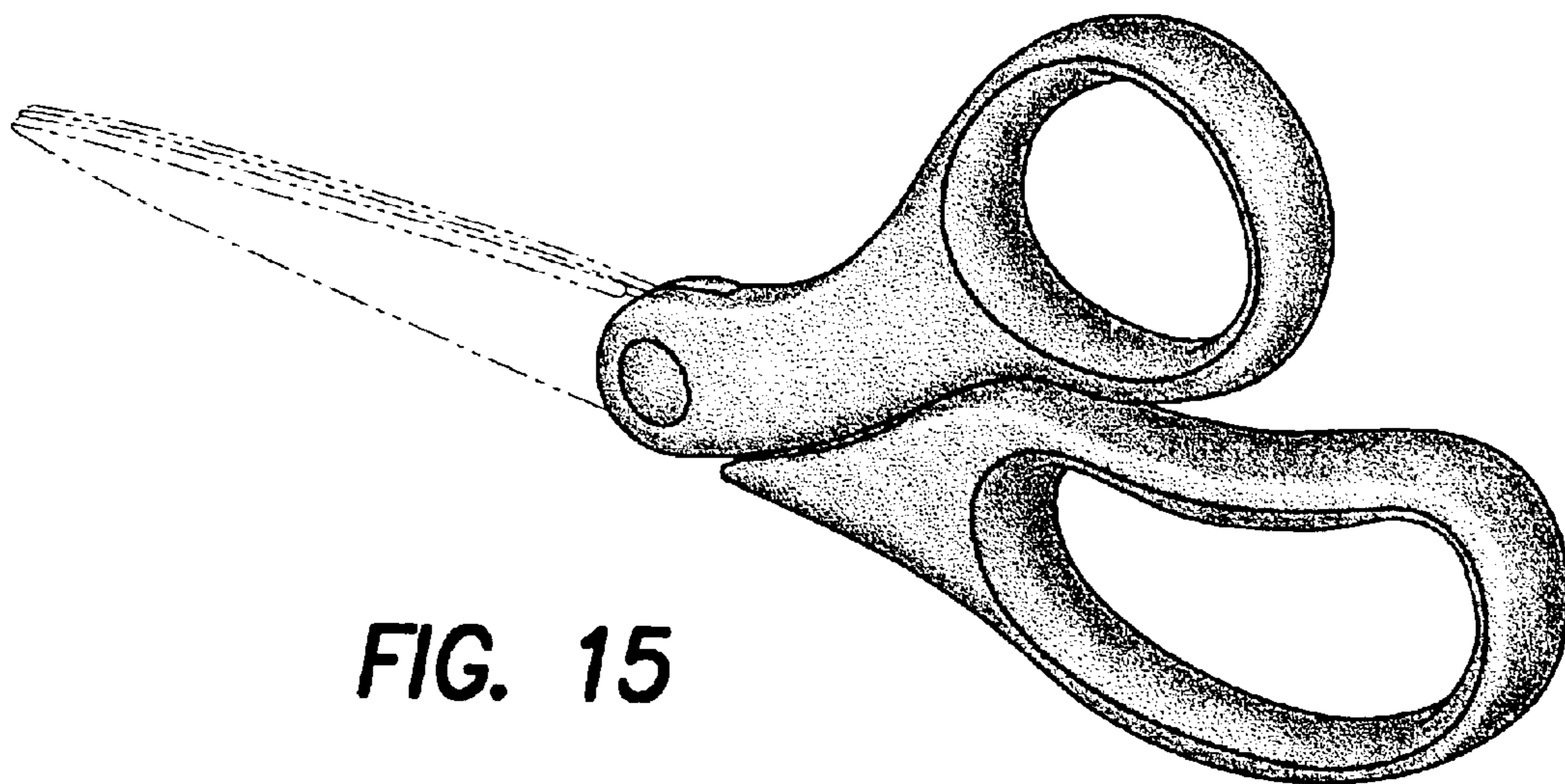


FIG. 15

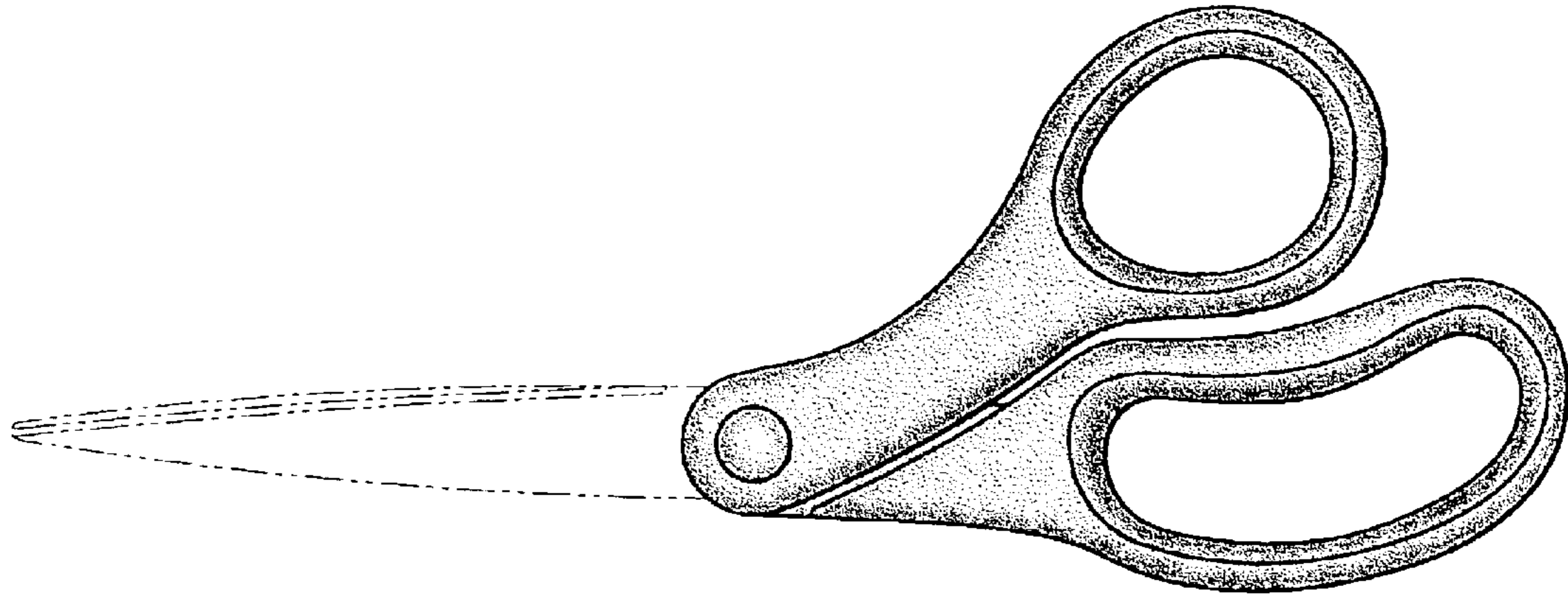


FIG. 16

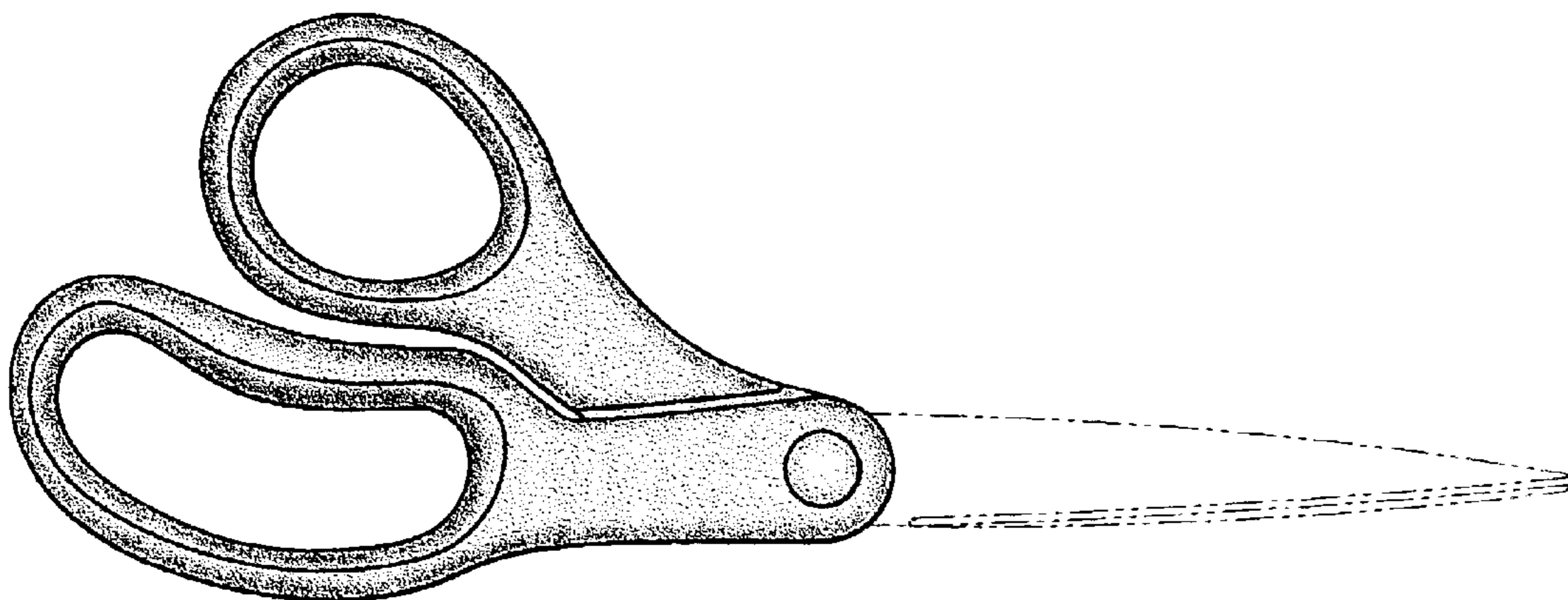


FIG. 17



FIG. 18

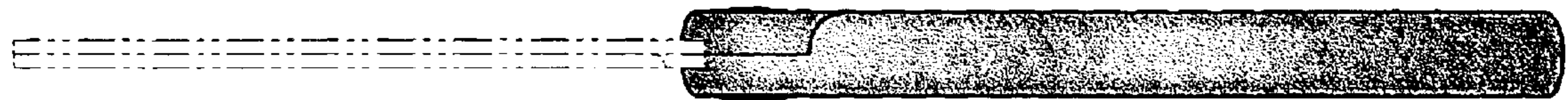


FIG. 19

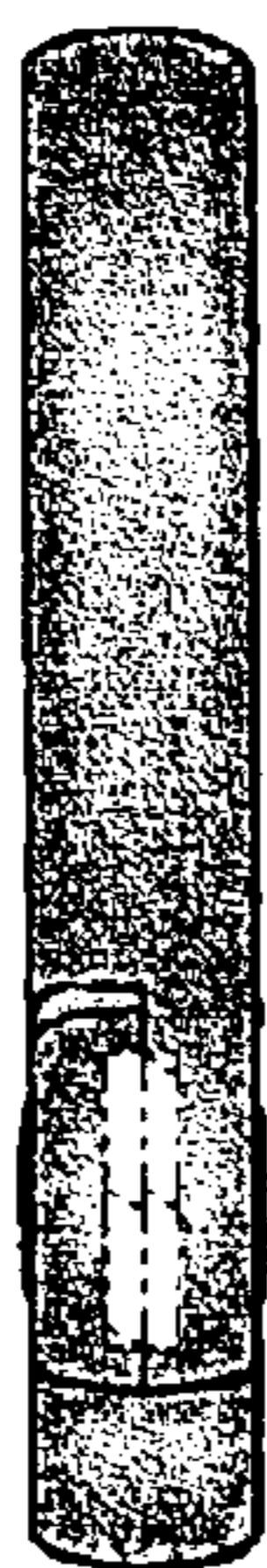


FIG. 20



FIG. 21