



US00D502852S

(12) **United States Design Patent**  
**Wang**

(10) **Patent No.: US D502,852 S**

(45) **Date of Patent: \*\* Mar. 15, 2005**

(54) **PAIR OF PLIERS**

(76) **Inventor: Chien-Kuo Wang**, 58, Ma Yuan West St., Taichung (TW)

(\*\*) **Term: 14 Years**

(21) **Appl. No.: 29/205,561**

(22) **Filed: May 15, 2004**

(51) **LOC (7) Cl. .... 08-05**

(52) **U.S. Cl. .... D8/52**

(58) **Field of Search .... D8/4, 5, 51, 52-56, D8/105, 107; 81/415-427.5**

(56) **References Cited**

**U.S. PATENT DOCUMENTS**

3,175,291	A	*	3/1965	Nardo	.....	D8/52
D220,309	S	*	3/1971	Baun	.....	D8/52
D350,265	S	*	9/1994	Mellits et al.	.....	D8/52
D358,312	S	*	5/1995	Keenan	.....	D8/52
D362,607	S	*	9/1995	Fisher	.....	D8/52

D381,565	S	*	7/1997	Hibberd	.....	D8/5
D406,031	S	*	2/1999	Toshima	.....	D8/52
6,386,076	B1	*	5/2002	Swanstrom, Jr.	.....	81/423
2004/0089117	A1	*	5/2004	Hsien	.....	81/424

\* cited by examiner

*Primary Examiner*—Clare E Hefflin

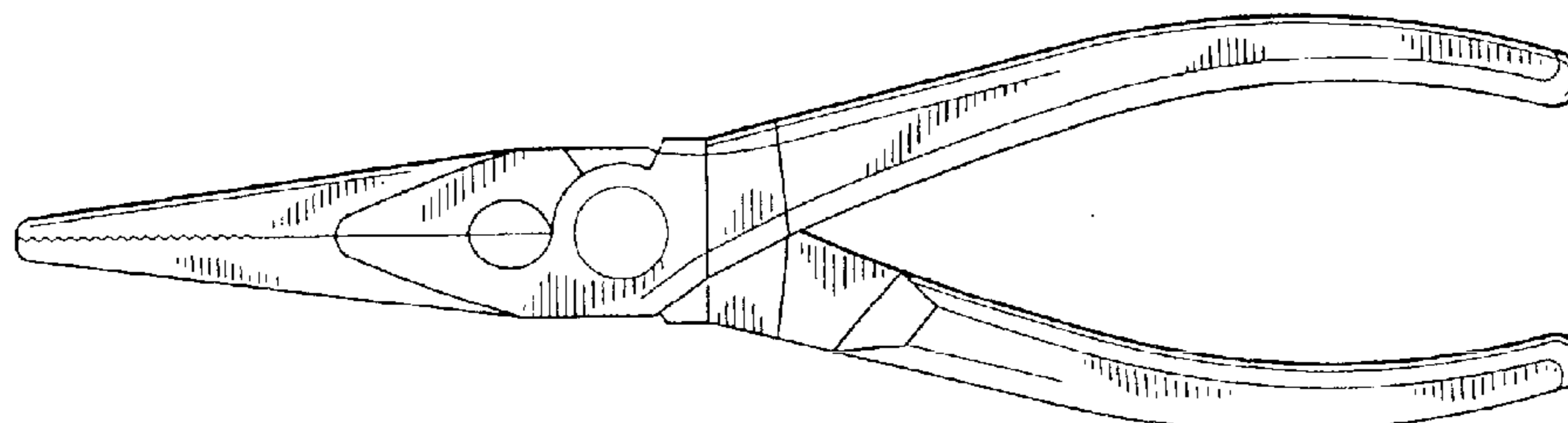
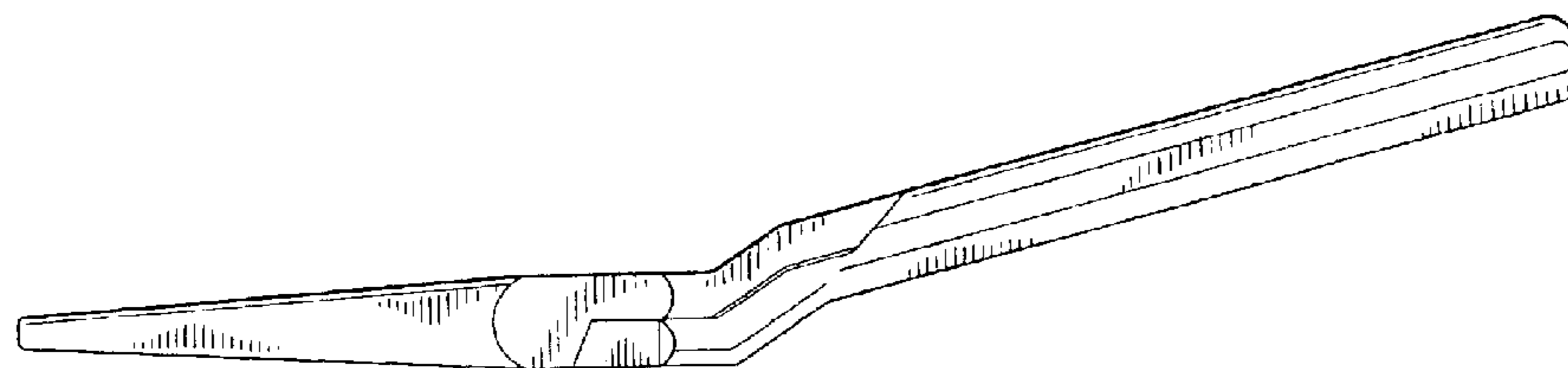
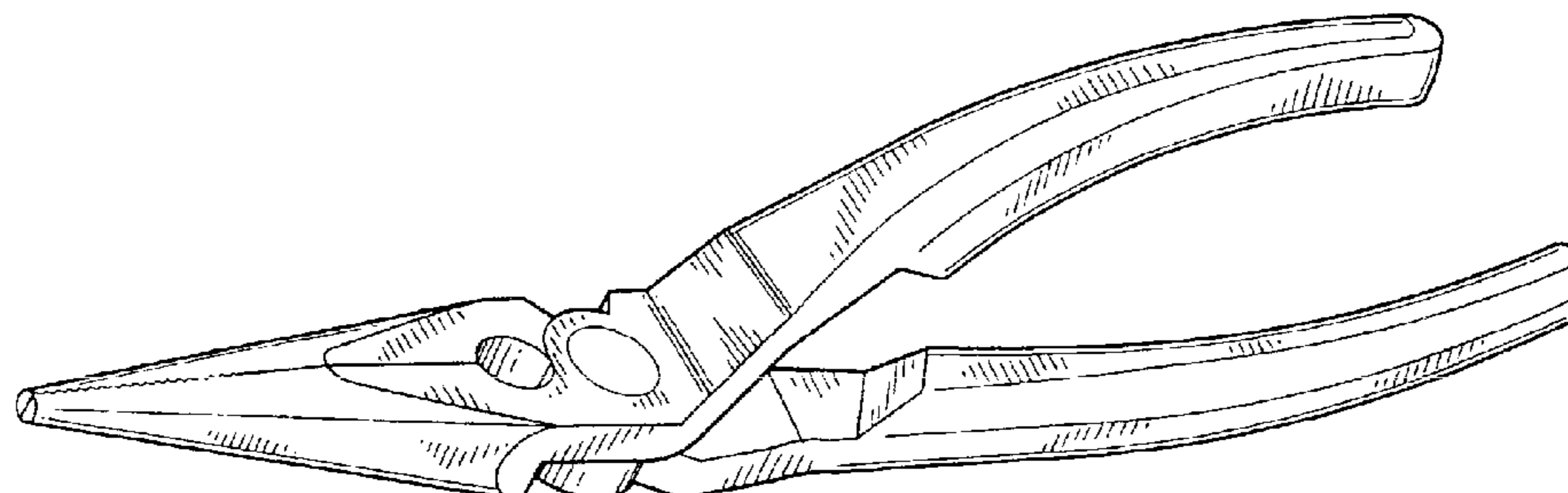
(57) **CLAIM**

The ornamental design for a pair of pliers, as shown and described.

**DESCRIPTION**

FIG. 1 is a perspective view of a pair of pliers showing my design;  
FIG. 2 is a front elevational view thereof;  
FIG. 3 is a rear elevational view thereof;  
FIG. 4 is a left side elevational view thereof;  
FIG. 5 is a right side elevational view thereof;  
FIG. 6 is a top plan view thereof; and,  
FIG. 7 is a bottom plan view thereof.

**1 Claim, 5 Drawing Sheets**



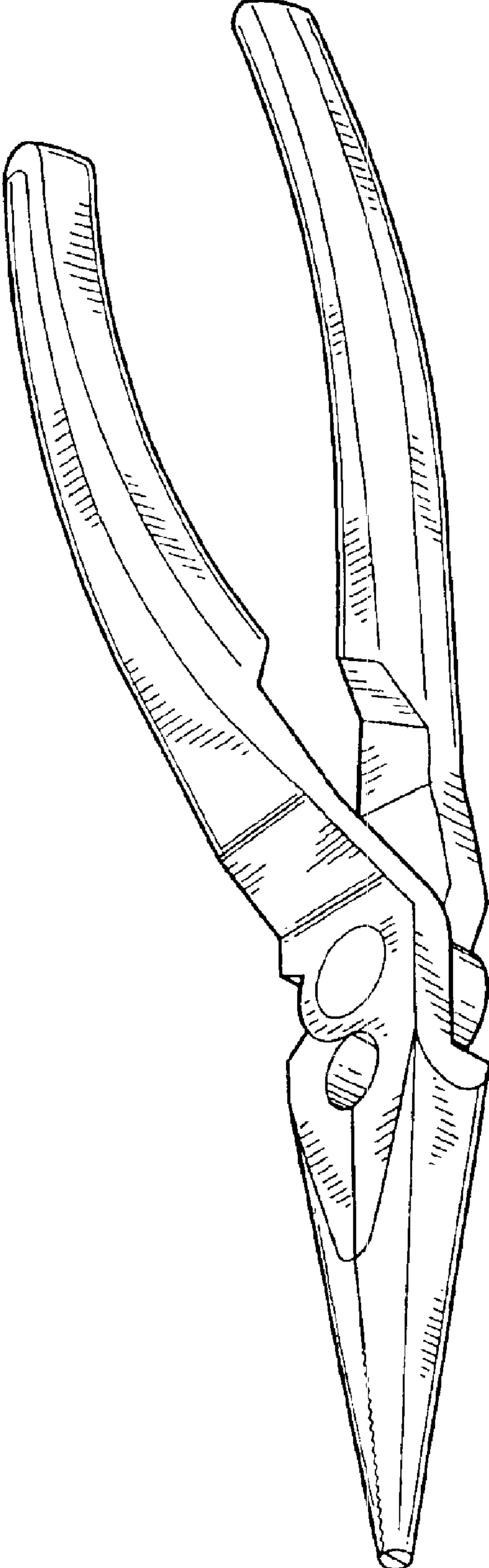


FIG. 1

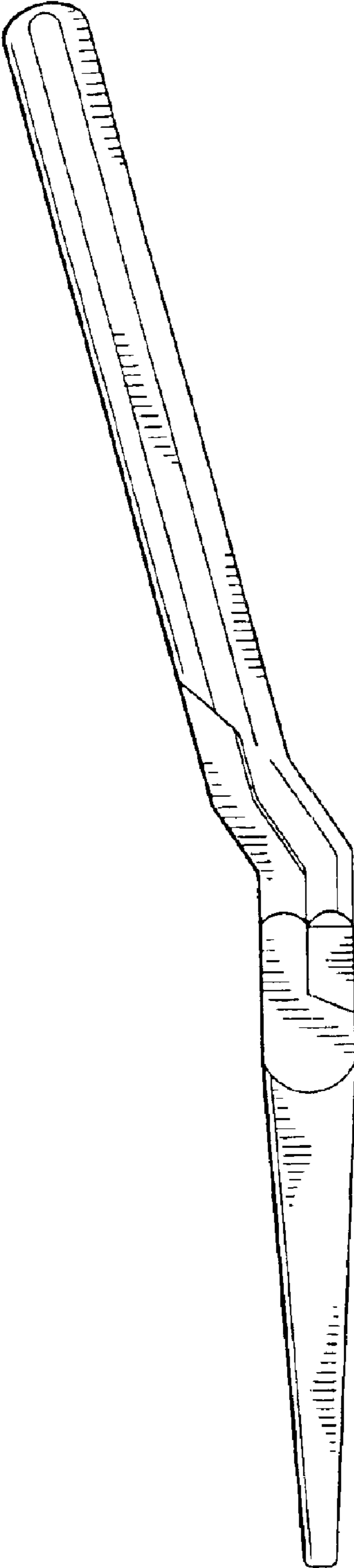


FIG. 2

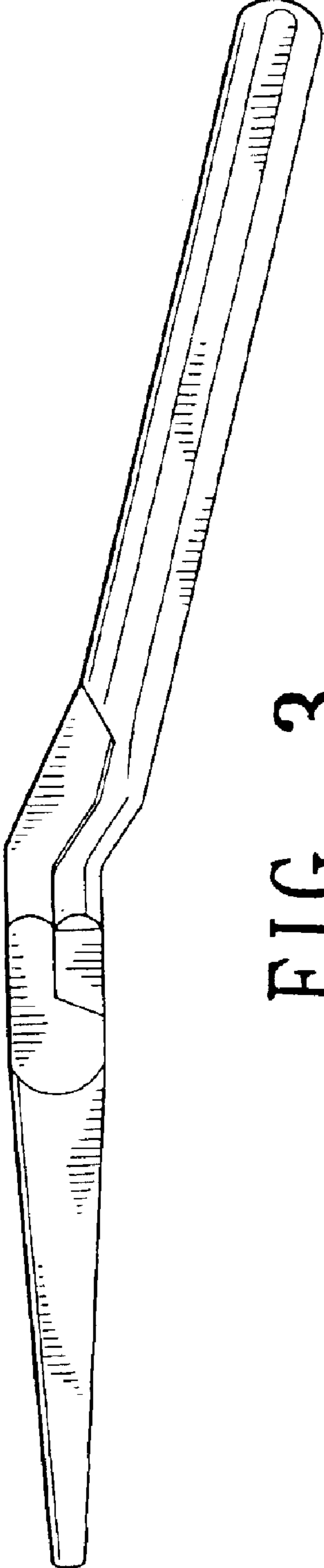


FIG. 3

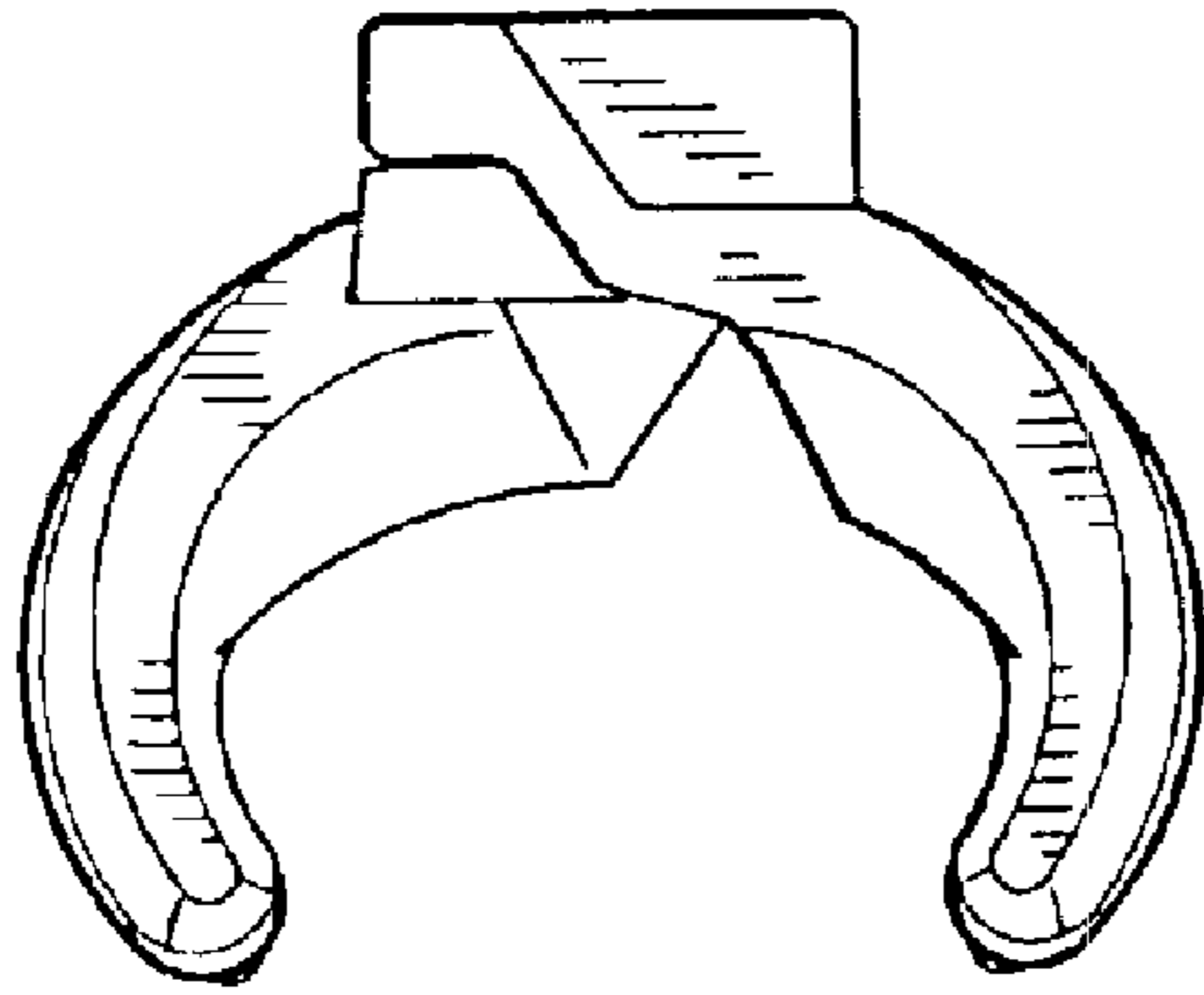


FIG. 5

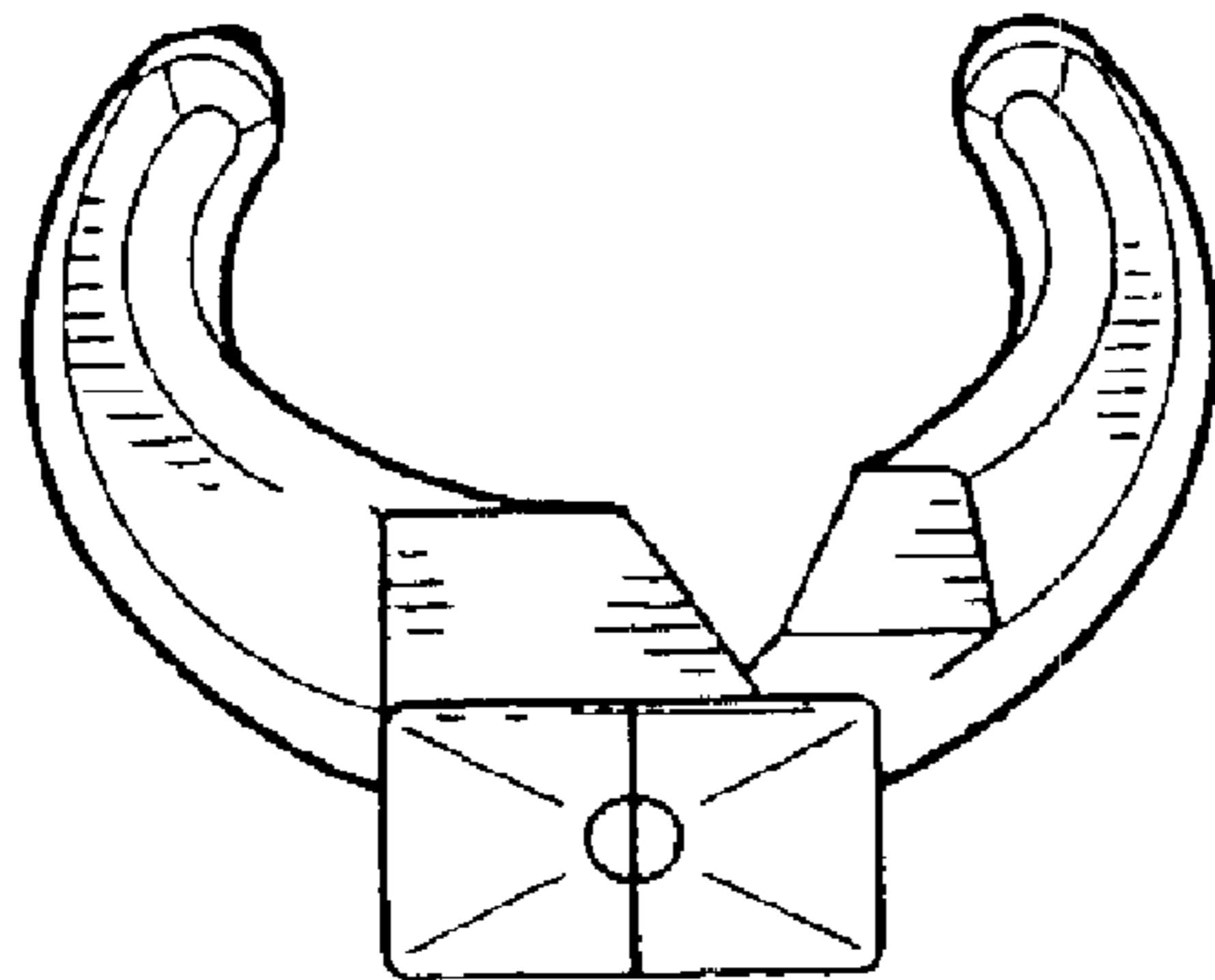


FIG. 4

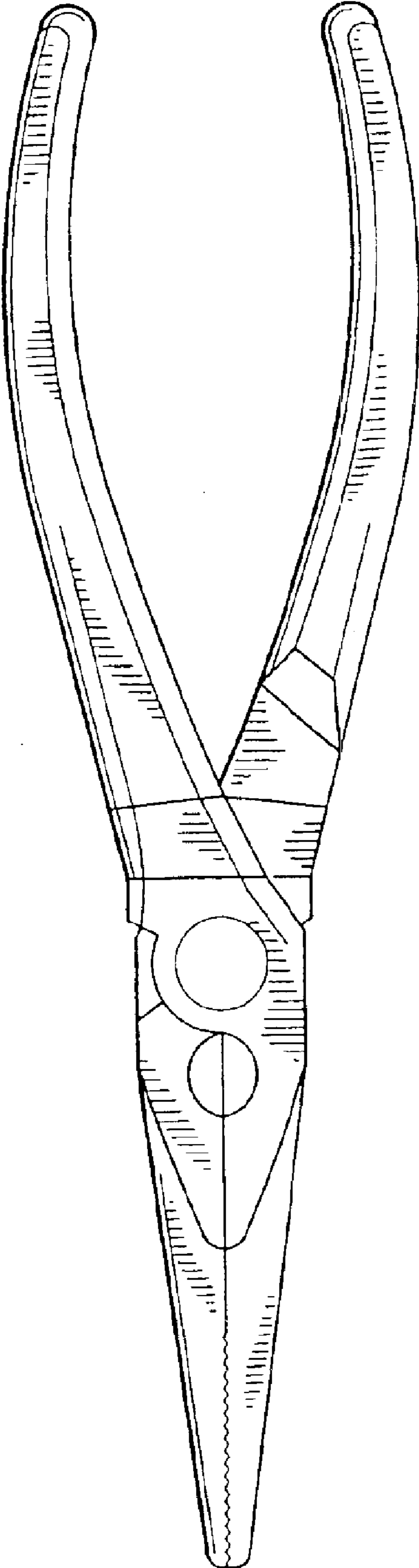


FIG. 6

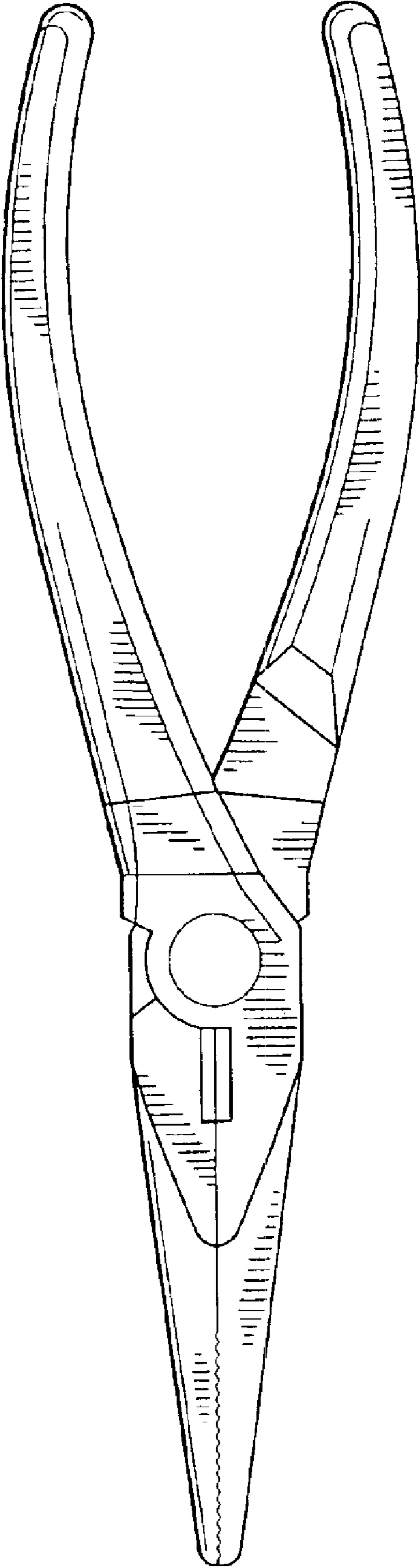


FIG. 7