



US00D502848S

(12) **United States Design Patent**
Bergmeier

(10) **Patent No.: US D502,848 S**
(45) **Date of Patent: ** Mar. 15, 2005**

(54) **SEED TUBE GUARD**

Primary Examiner—Holly Baynham

(76) Inventor: **Mike J. Bergmeier**, 904 Williams Ave.,
S. Hutchinson, KS (US) 67505

(57) **CLAIM**

The ornamental design for a “seed tube guard”, as shown and described.

(**) Term: **14 Years**

DESCRIPTION

(21) Appl. No.: **29/188,684**

FIG. 1 is a left side elevational view of the upper left side of the “seed tube guard”;

(22) Filed: **Aug. 22, 2003**

FIG. 2 is a rear elevational view;

(51) **LOC (7) Cl. 08-01**

FIG. 3 is a front elevational view;

(52) **U.S. Cl. D8/1**

FIG. 4 is a sectional view taken along Line 4—4 of FIG. 2;

(58) **Field of Search D8/1; D15/17,**

D15/28; 111/170, 185

FIG. 5 is a top view;

FIG. 6 is a bottom view; and,

(56) **References Cited**

U.S. PATENT DOCUMENTS

FIG. 7 is an enlarged perspective view from the upper left side.

5,664,507 A * 9/1997 Bergland 111/140

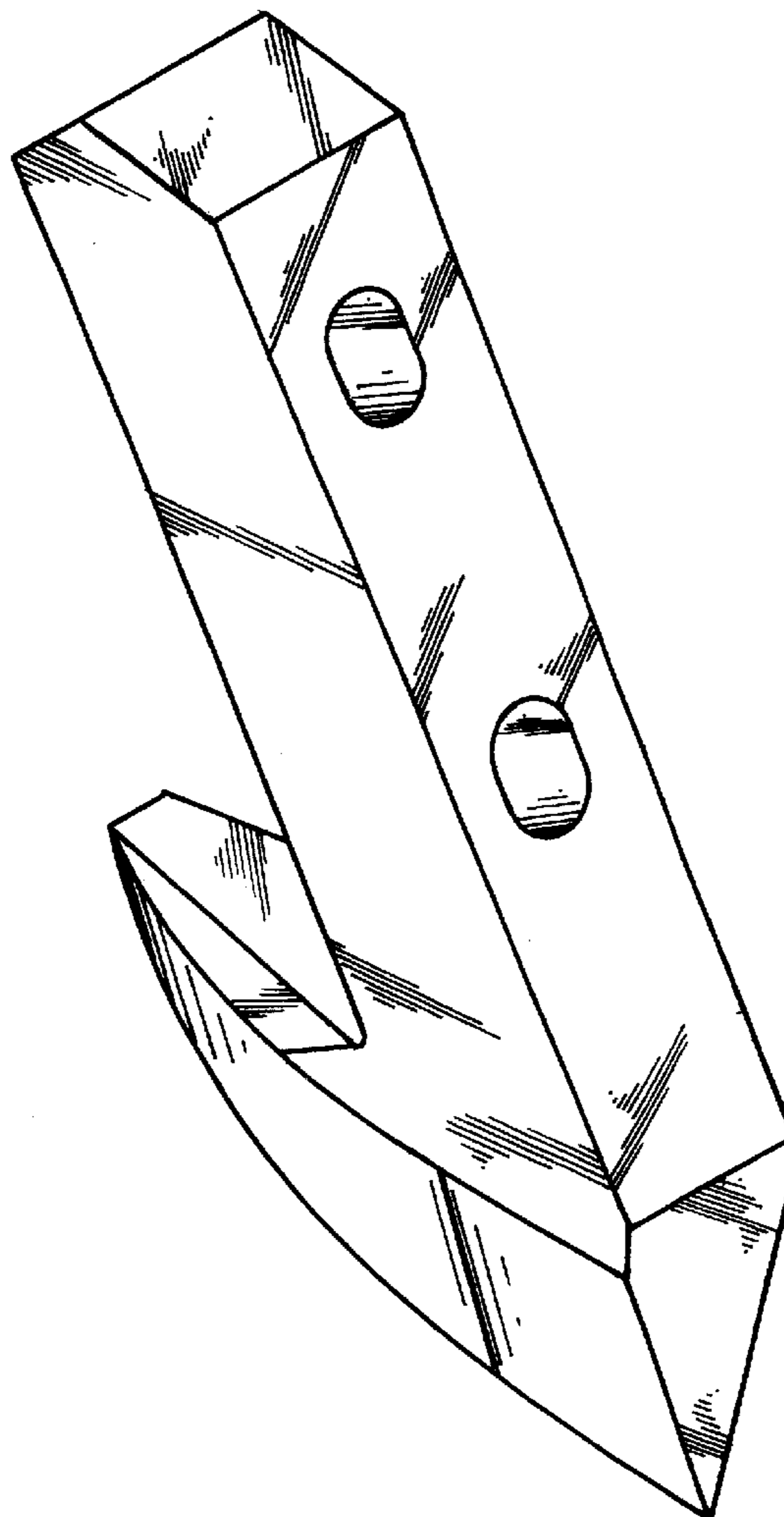
5,974,988 A * 11/1999 Stufflebeam 111/185

6,332,413 B1 * 12/2001 Stufflebeam 111/170

The right side is a mirror image of the left side and the opposite end view is likewise a mirror image of FIG. 3.

* cited by examiner

1 Claim, 2 Drawing Sheets



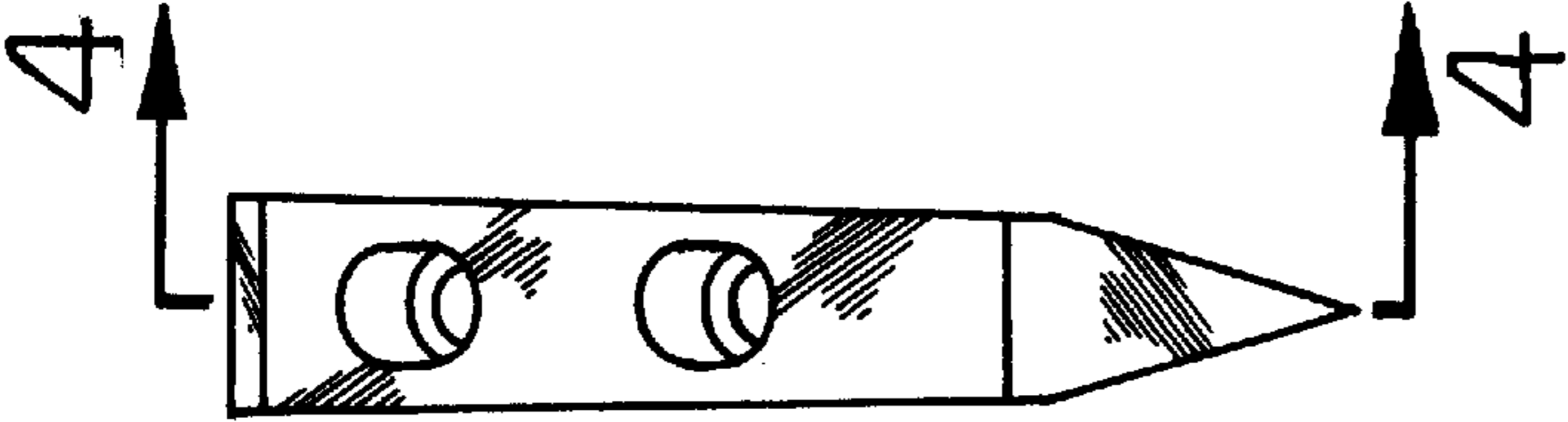


FIG 2

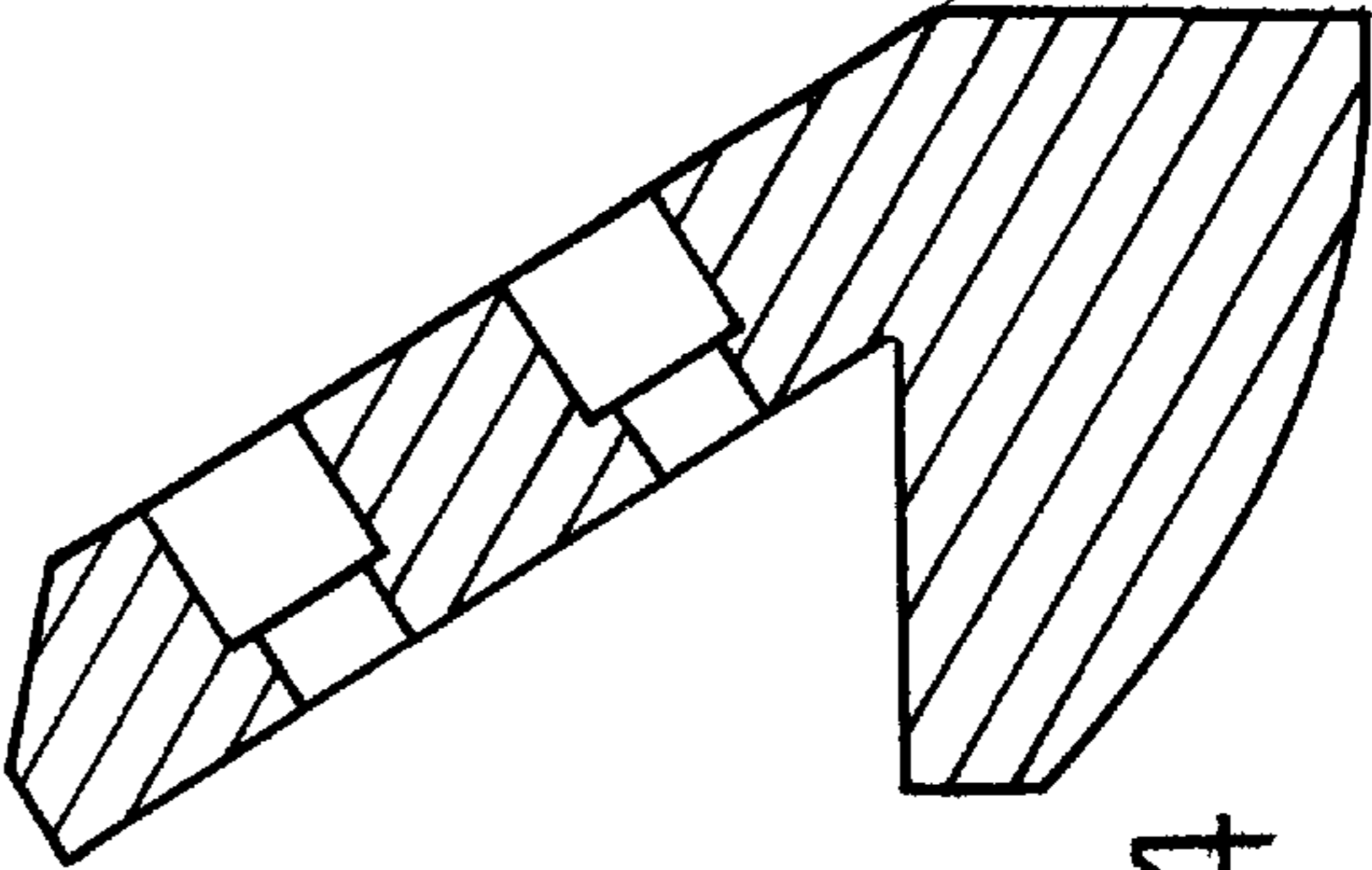


FIG 4

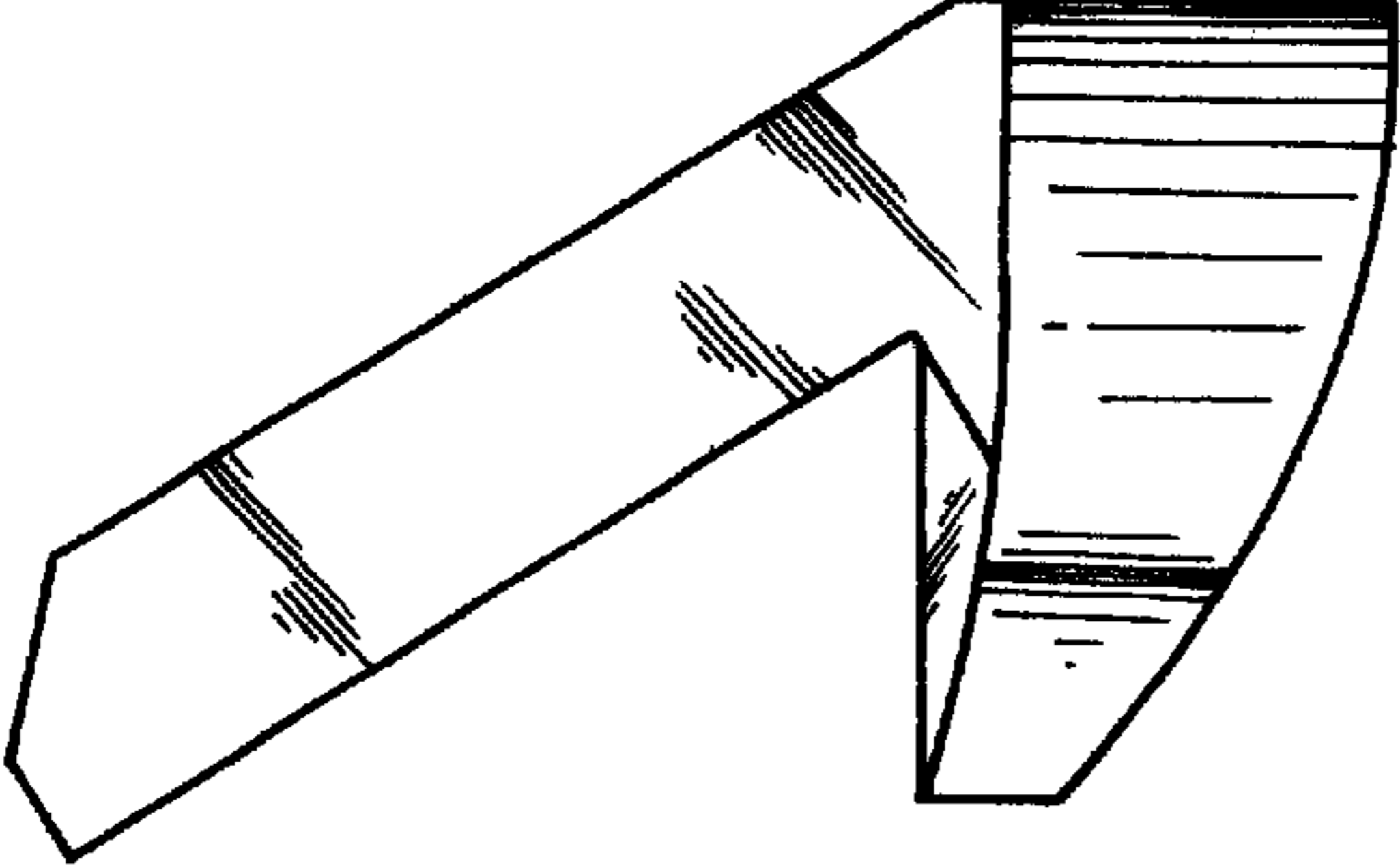


FIG 1



FIG 3

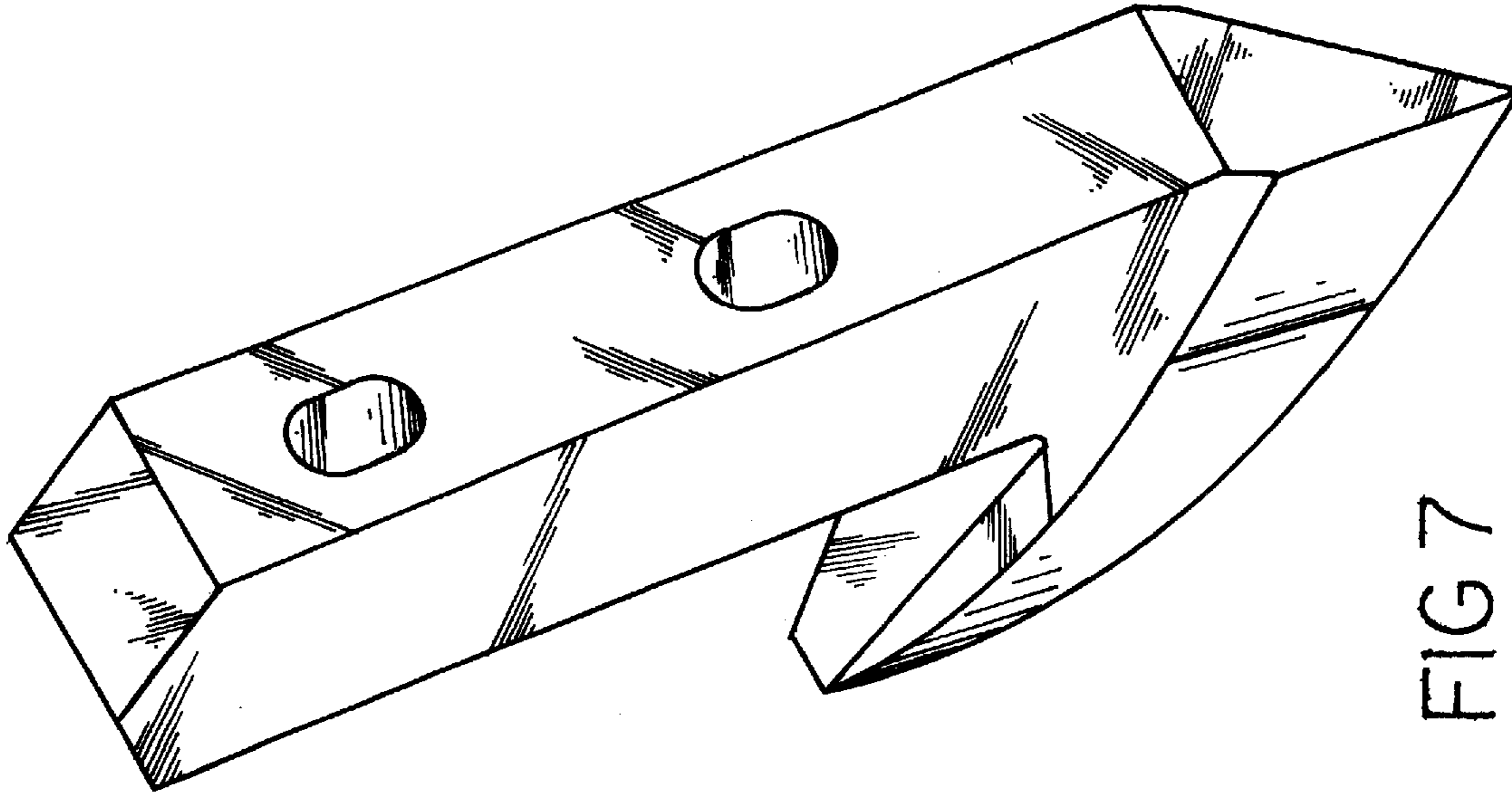


FIG 7

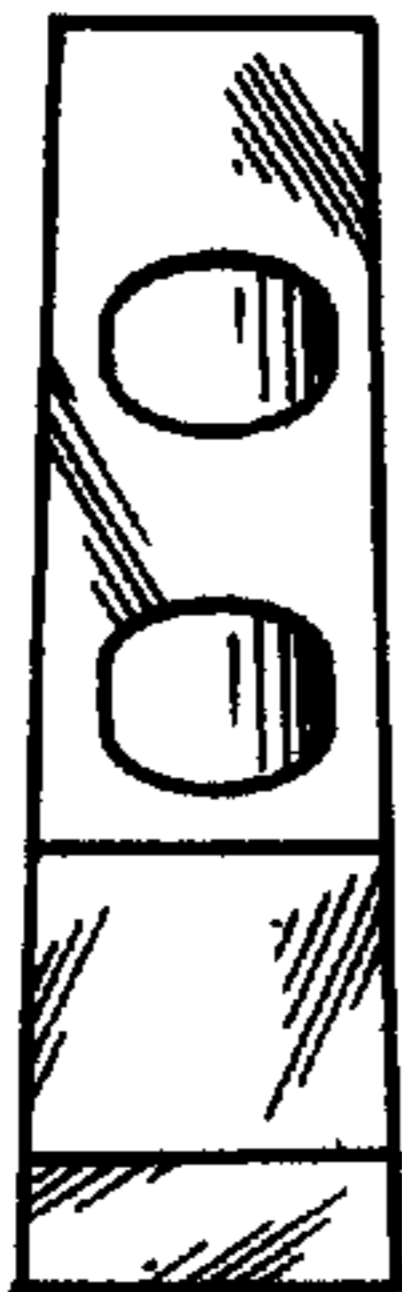


FIG 5

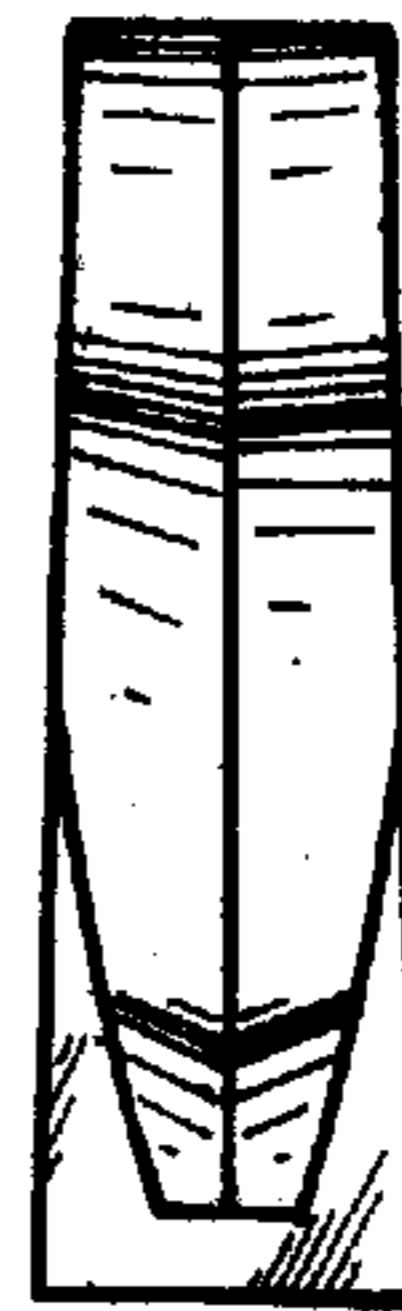


FIG 6