

US00D502847S

(12) **United States Design Patent**
Leonori

(10) **Patent No.:** **US D502,847 S**
(45) **Date of Patent:** **** Mar. 15, 2005**

(54) **COLLAPSIBLE COLANDER WITH
REDUCED DIMENSIONS**

4,075,105 A * 2/1978 Steiner et al. 210/477
D378,565 S * 3/1997 Cousins D7/667

(75) Inventor: **Luca Leonori, Rome (IT)**

* cited by examiner

(73) Assignee: **DMS Distribution + Marketing
Service AG, Dallikon (CH)**

Primary Examiner—Terry A. Wallace
(74) *Attorney, Agent, or Firm*—Hedman & Costigan, P.C.

(**) Term: **14 Years**

(57) **CLAIM**

(21) Appl. No.: **29/178,211**

The ornamental design for a collapsible colander with reduced dimensions, as shown and described.

(22) Filed: **Mar. 21, 2003**

DESCRIPTION

(51) **LOC (7) Cl.** **07-04**

(52) **U.S. Cl.** **D7/667**

(58) **Field of Search** D7/667, 668, 500,
D7/543, 584, 587; 99/403; 210/464, 465,
470-474, 498, 499; 220/574, 575

FIG. 1 is a top view of a collapsible colander with reduced dimensions, showing my new design;
FIG. 2 is a bottom view thereof;
FIG. 3 is a front view thereof;
FIG. 4 is a rear view thereof;
FIG. 5 is a right view thereof;
FIG. 6 is a left view thereof; and,
FIG. 7 is a perspective view thereof.

(56) **References Cited**

U.S. PATENT DOCUMENTS

3,300,048 A * 1/1967 Pollock 210/470

1 Claim, 4 Drawing Sheets

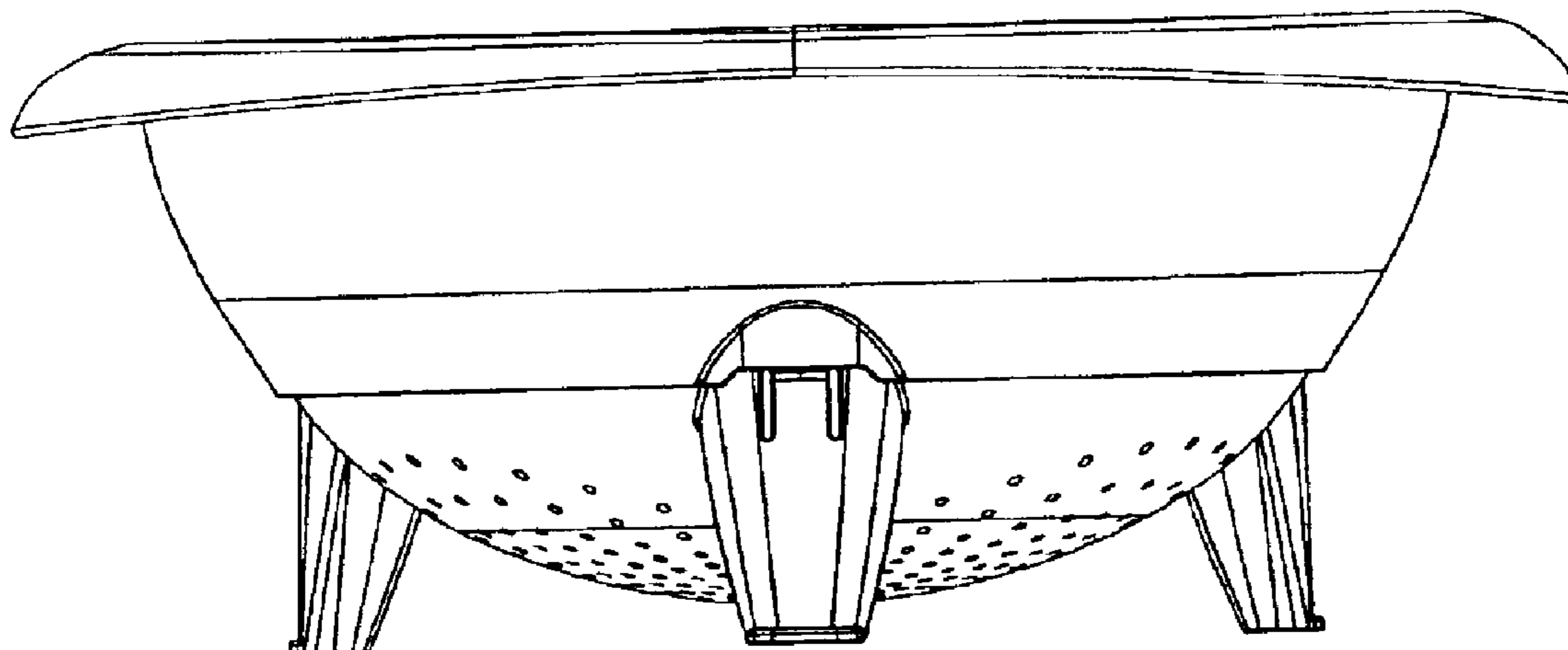


Fig. 1

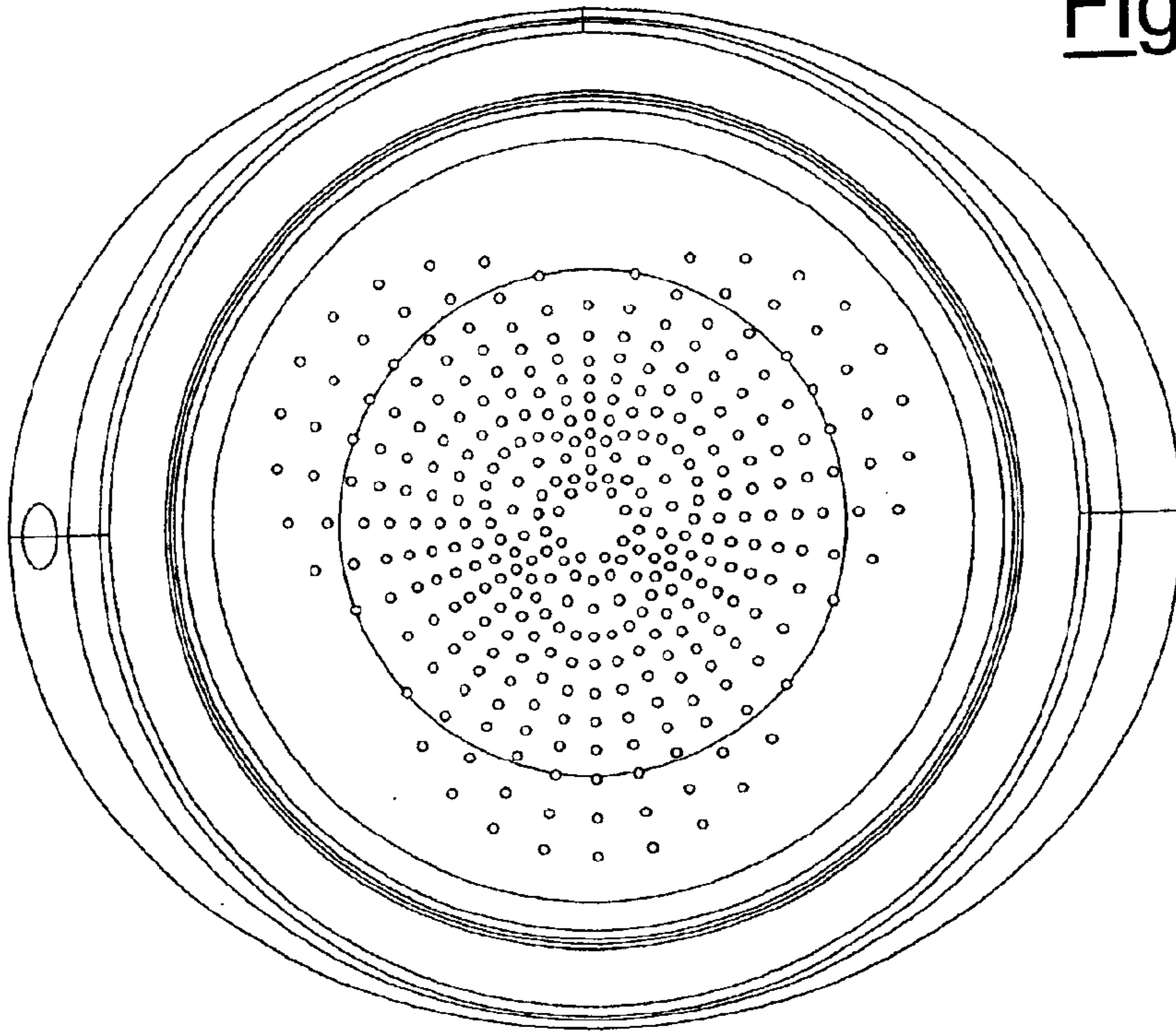


Fig. 2

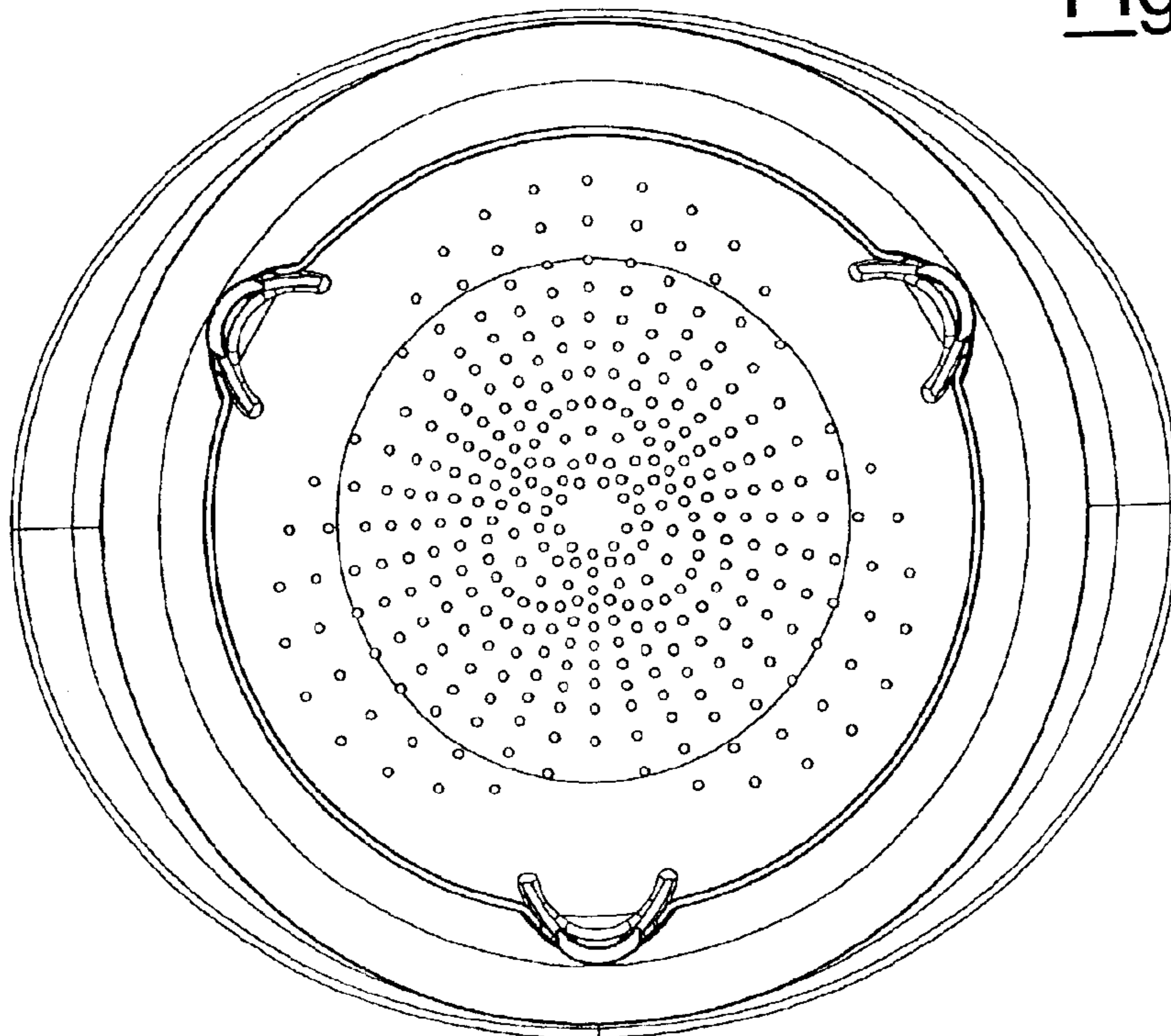


Fig. 3

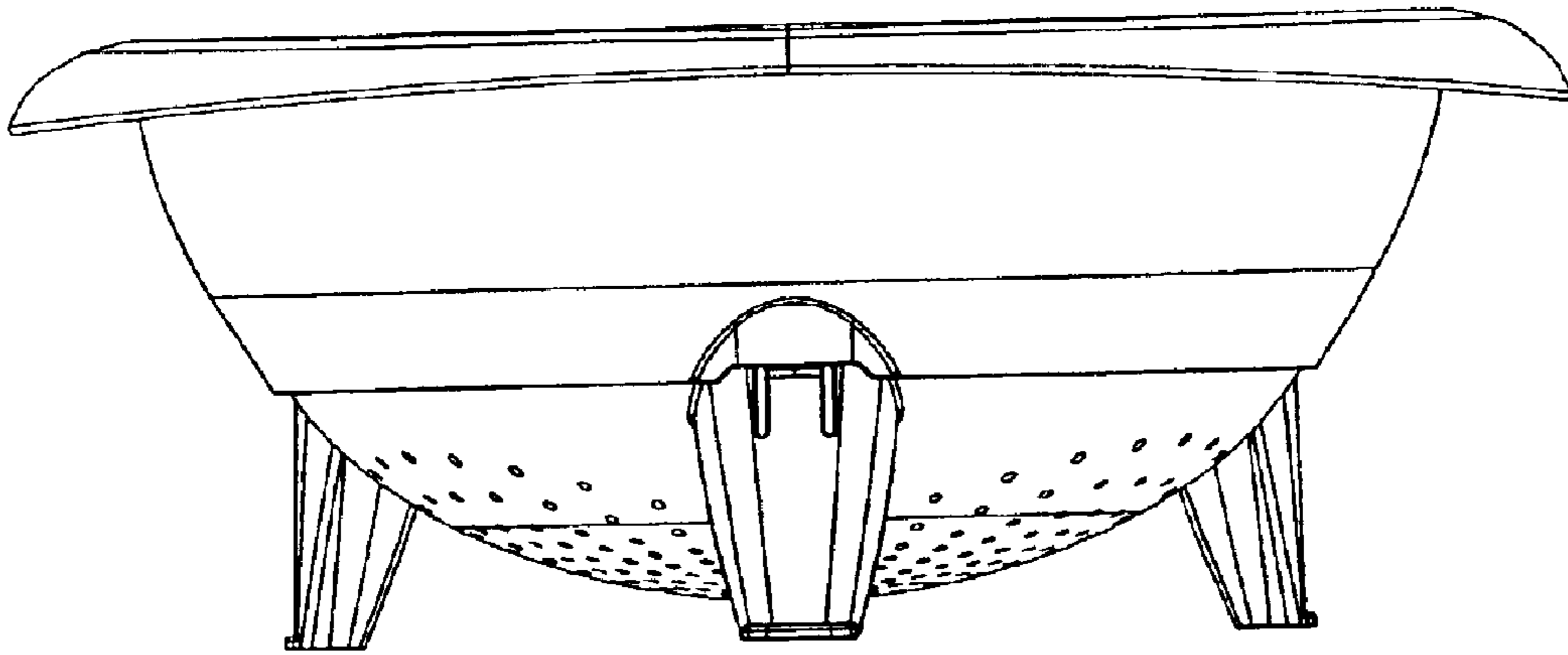


Fig. 4

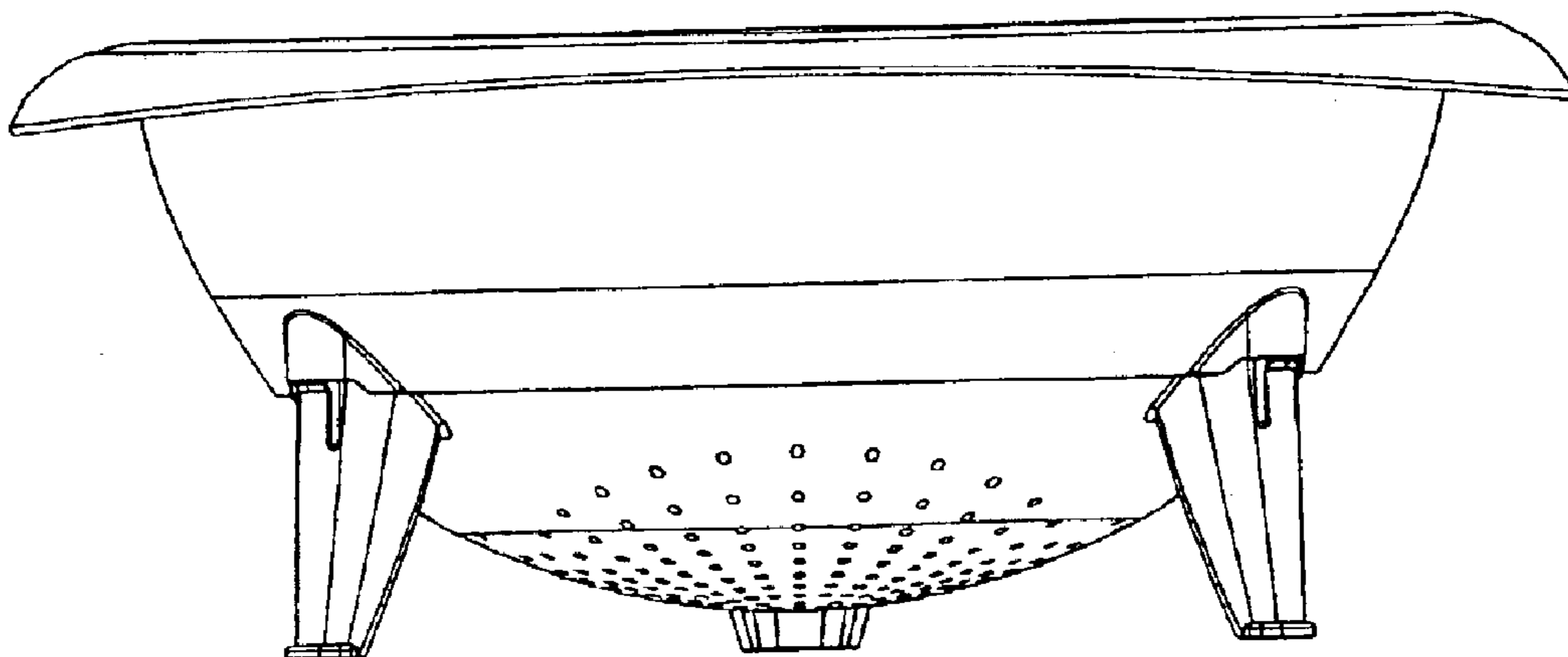


Fig. 5

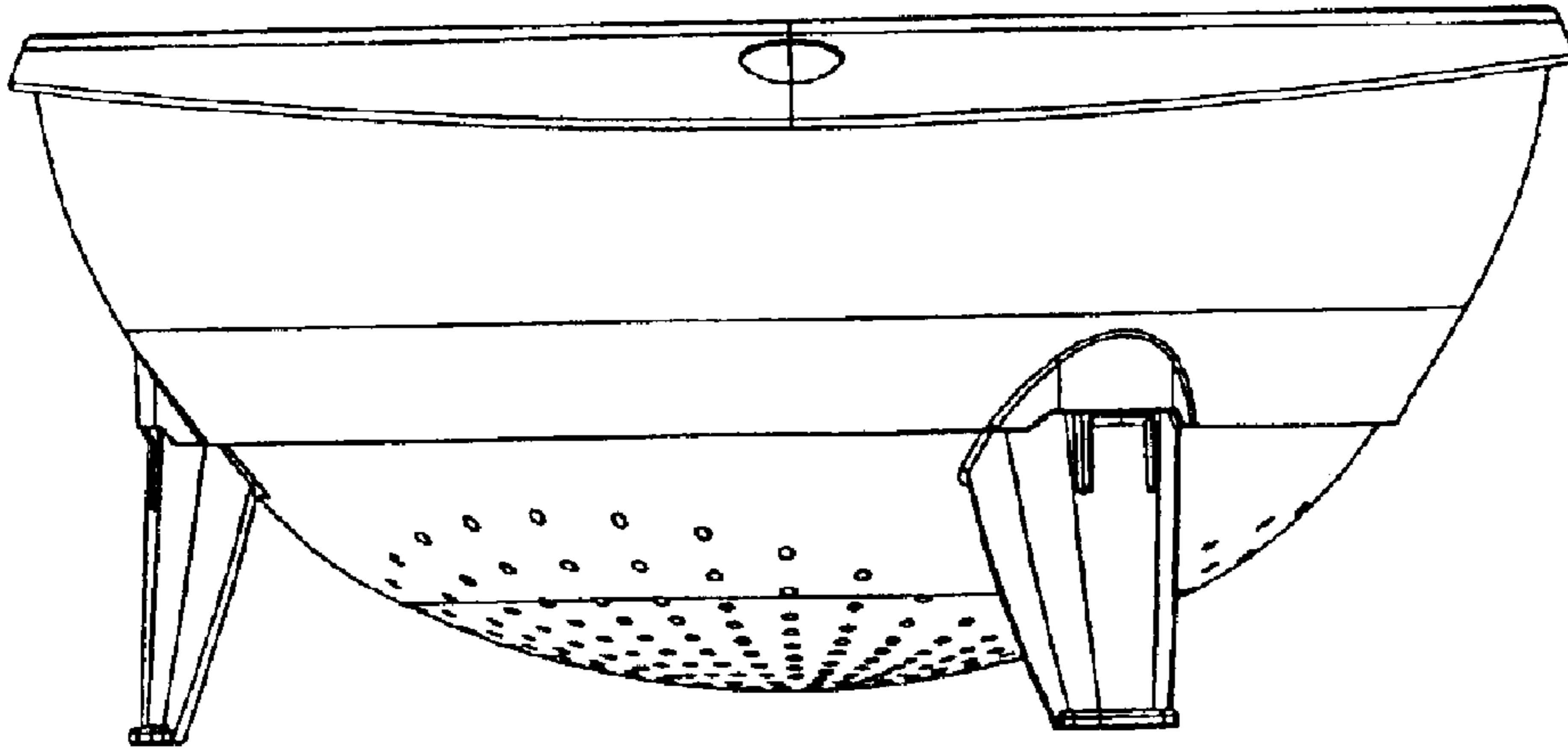


Fig. 6

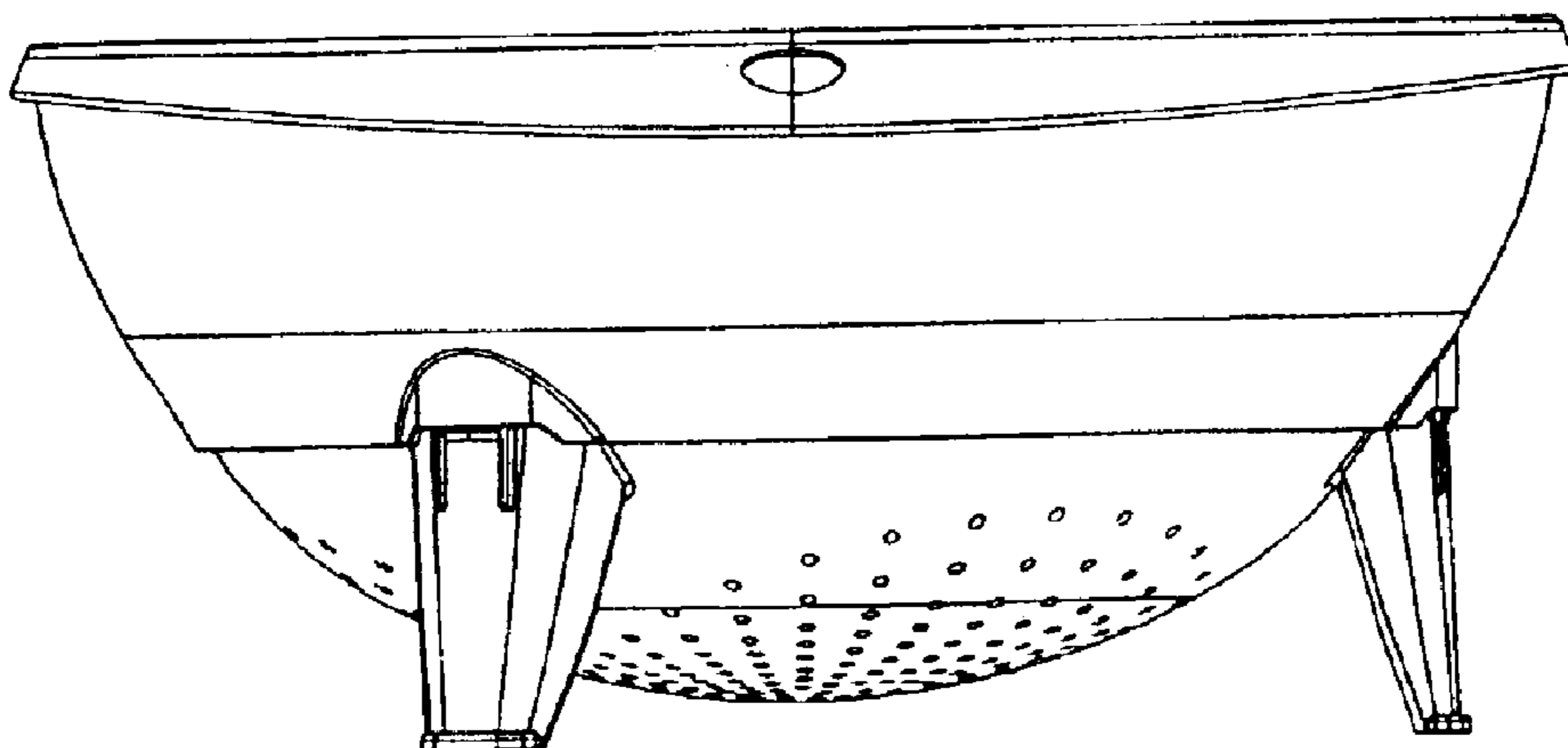


Fig. 7

