

US00D502845S

(12) **United States Design Patent**
Wilgus et al.

(10) **Patent No.:** **US D502,845 S**
(45) **Date of Patent:** **** Mar. 15, 2005**

(54) **PORTABLE INSULATED CONTAINER**

(75) Inventors: **Mitchell L. Wilgus**, Andover, KS (US);
Kaname Maruyama, Yahiko-mura (JP)
(73) Assignee: **The Coleman Company, Inc.**, Wichita,
KS (US)
(**) Term: **14 Years**

(21) Appl. No.: **29/197,766**
(22) Filed: **Jan. 20, 2004**

(51) **LOC (7) Cl.** **07-01**
(52) **U.S. Cl.** **D7/605**
(58) **Field of Search** D7/605-608, 629;
D15/83; 62/371, 372, 457.1-457.9, 3.62,
235.1; 220/592.2, 592.03, 592.24, 592.25,
915.1, 915.2

(56) **References Cited**
U.S. PATENT DOCUMENTS

D381,870 S * 8/1997 Wedi D7/605
6,305,185 B1 * 10/2001 Sloan 62/457.7

OTHER PUBLICATIONS

U.S. Appl. No. 29/199,105, filed Feb. 10, 2004, Wilgus.
* cited by examiner

Primary Examiner—Terry A. Wallace
(74) *Attorney, Agent, or Firm*—Leydig, Voit & Mayer, Ltd.

(57) **CLAIM**

The ornamental design for a portable insulated container, as shown and described.

DESCRIPTION

FIG. 1 is a top, left, perspective view of a portable insulated container showing an embodiment of our new design; FIG. 2 is a right side view thereof; FIG. 3 is a left side view thereof; FIG. 4 is a rear view thereof; FIG. 5 is a front view thereof; FIG. 6 is a top view thereof; and, FIG. 7 is a bottom view thereof. The broken lines are for illustrative purposes only and form no part of the claimed design.

1 Claim, 4 Drawing Sheets

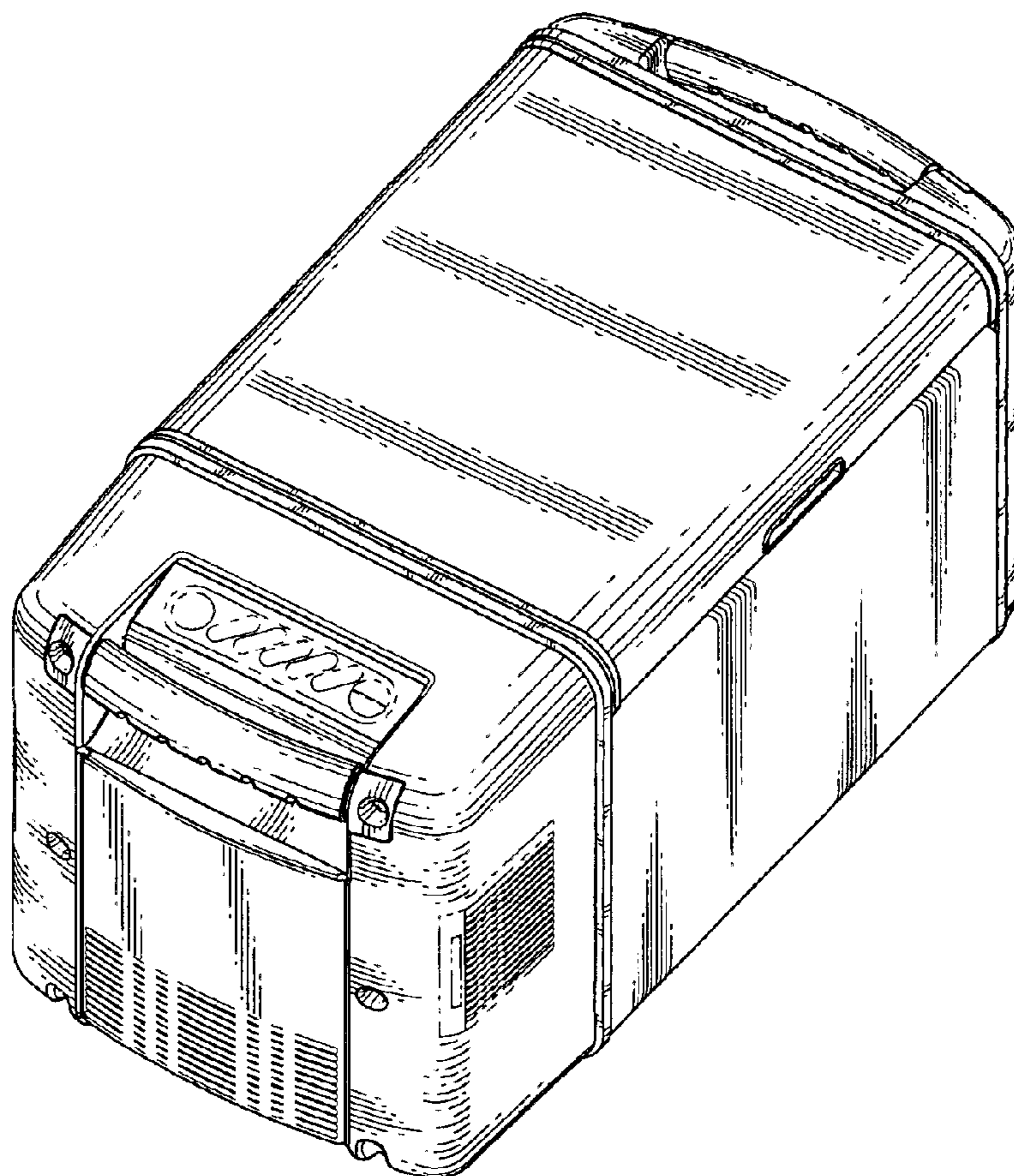


FIG. 1

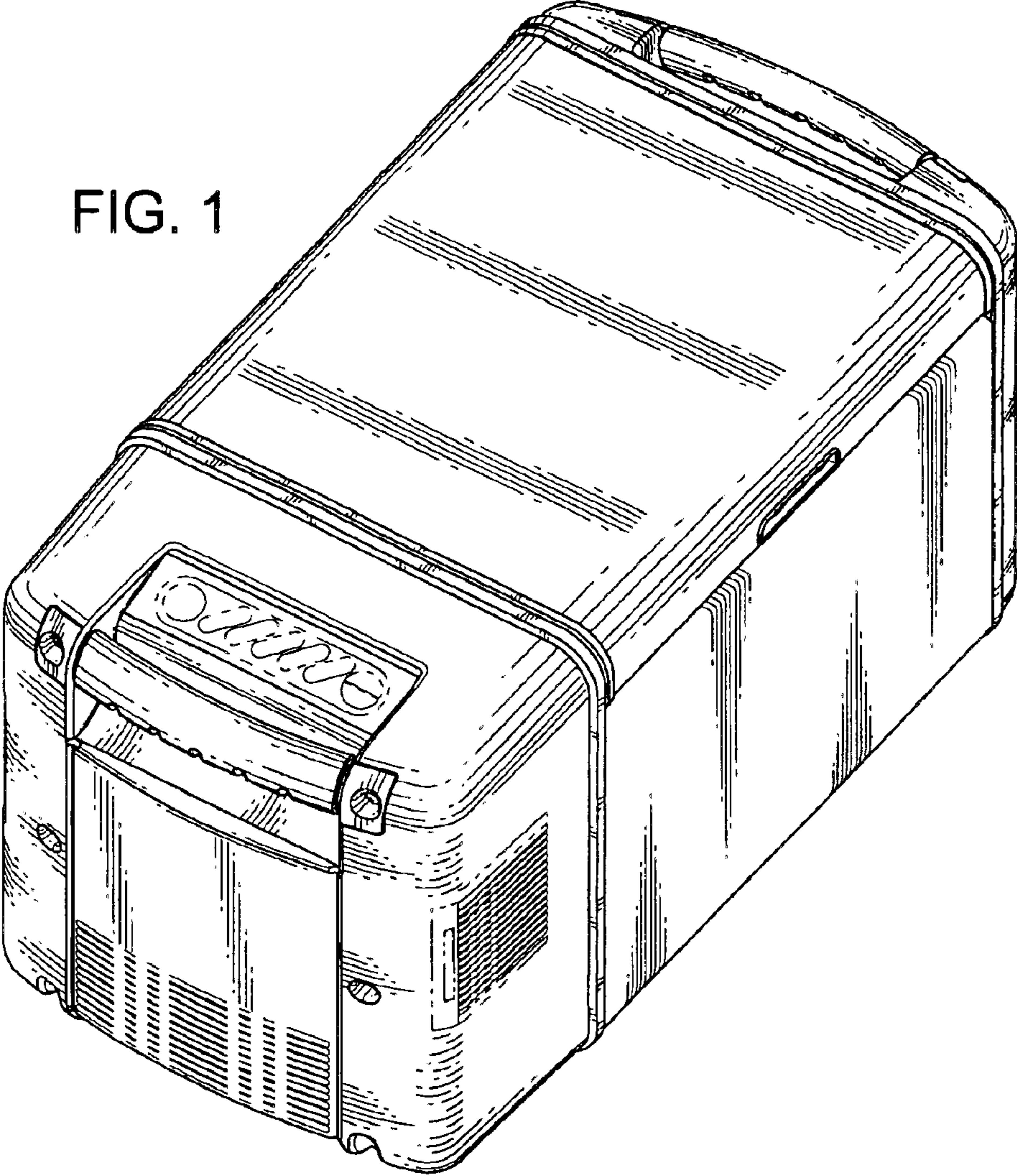


FIG. 3

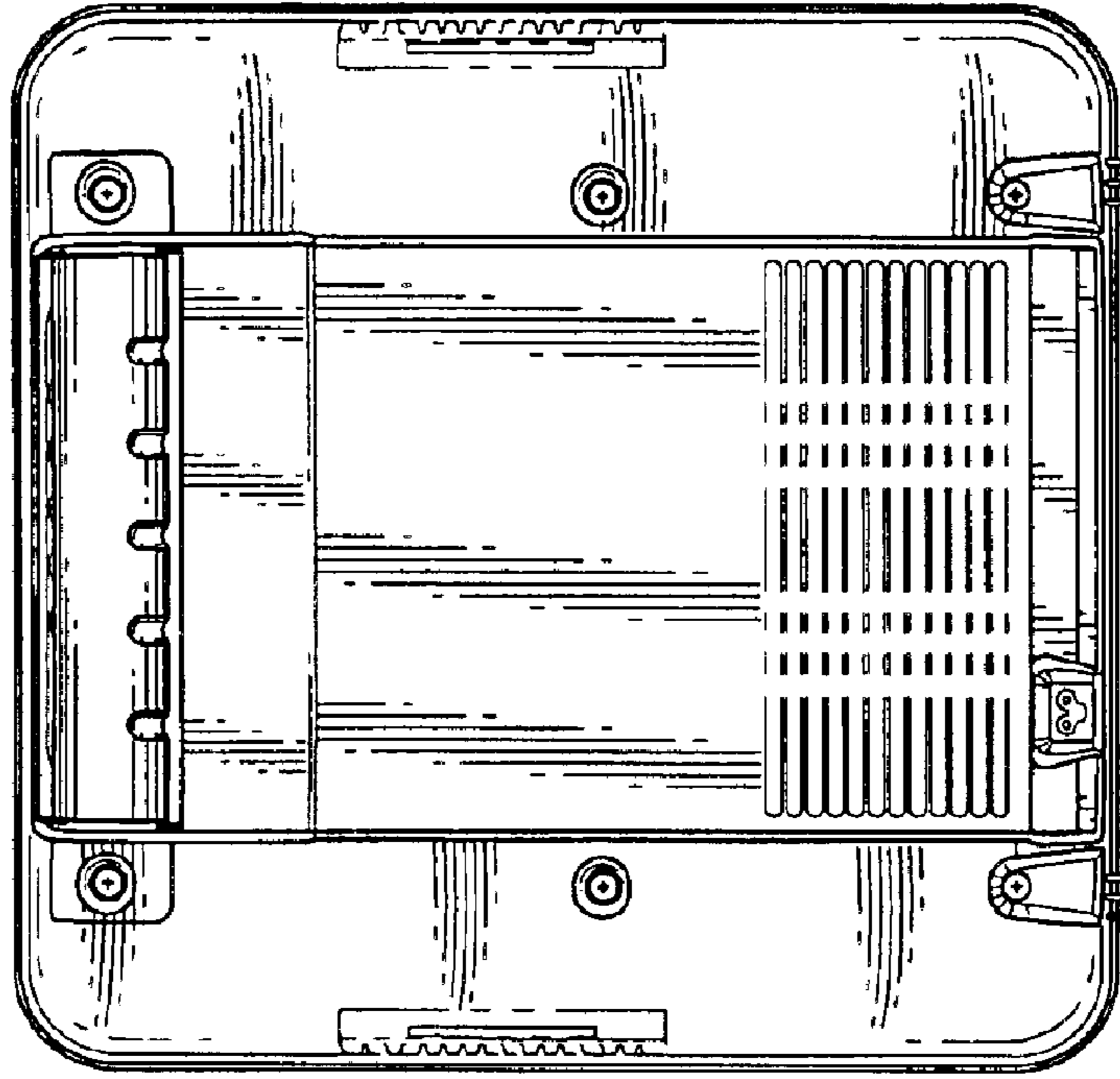


FIG. 2

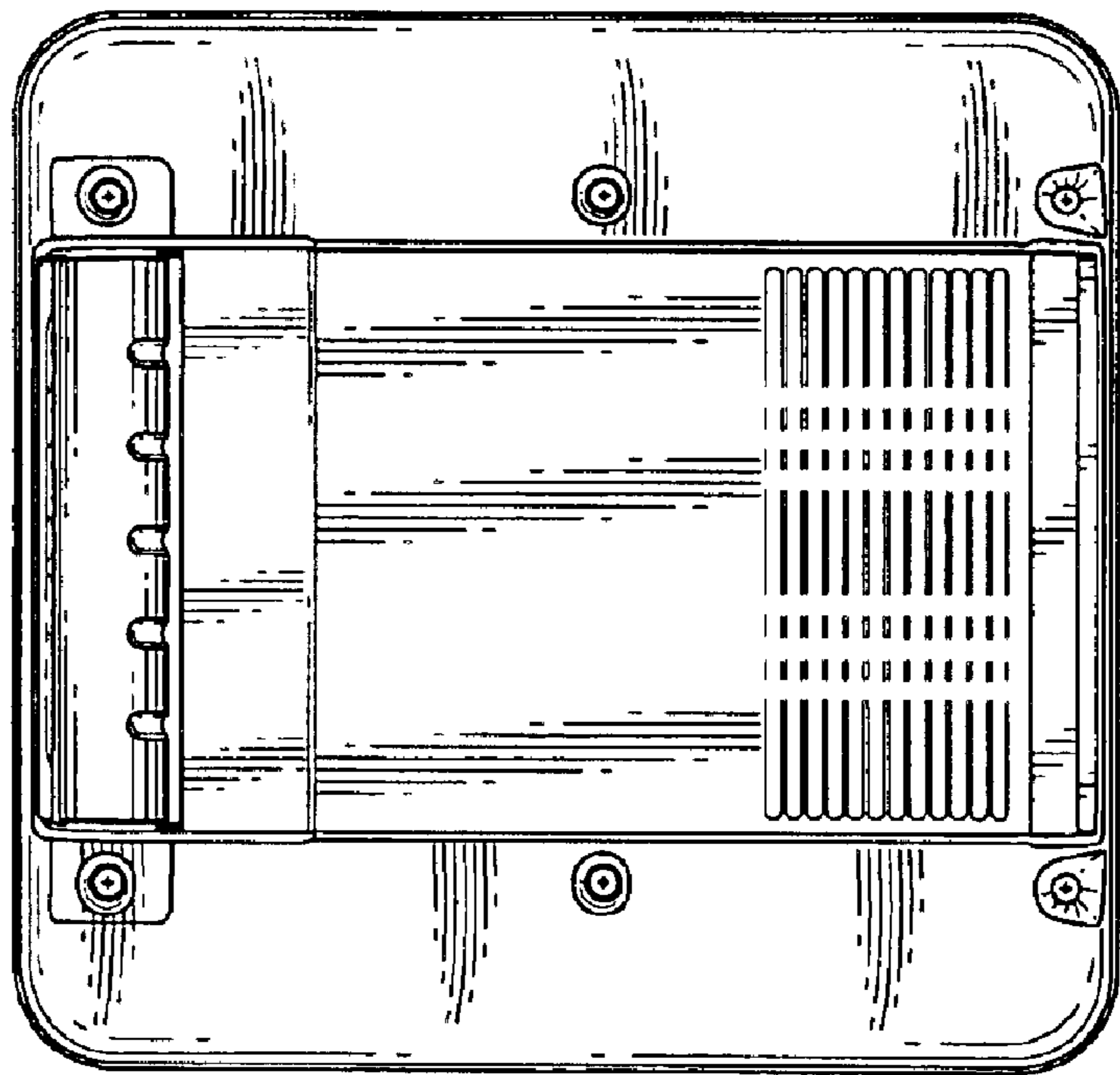


FIG. 4

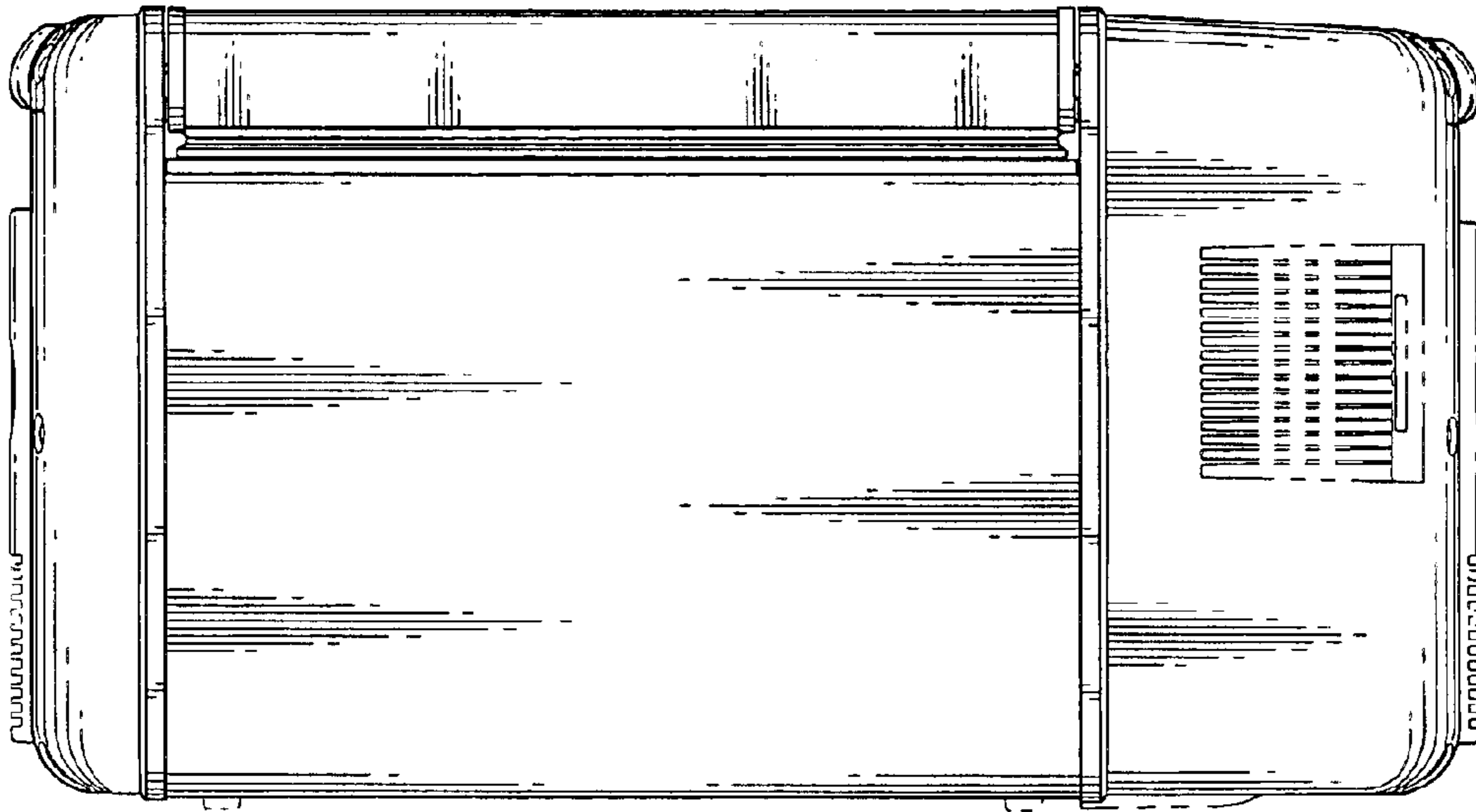


FIG. 5

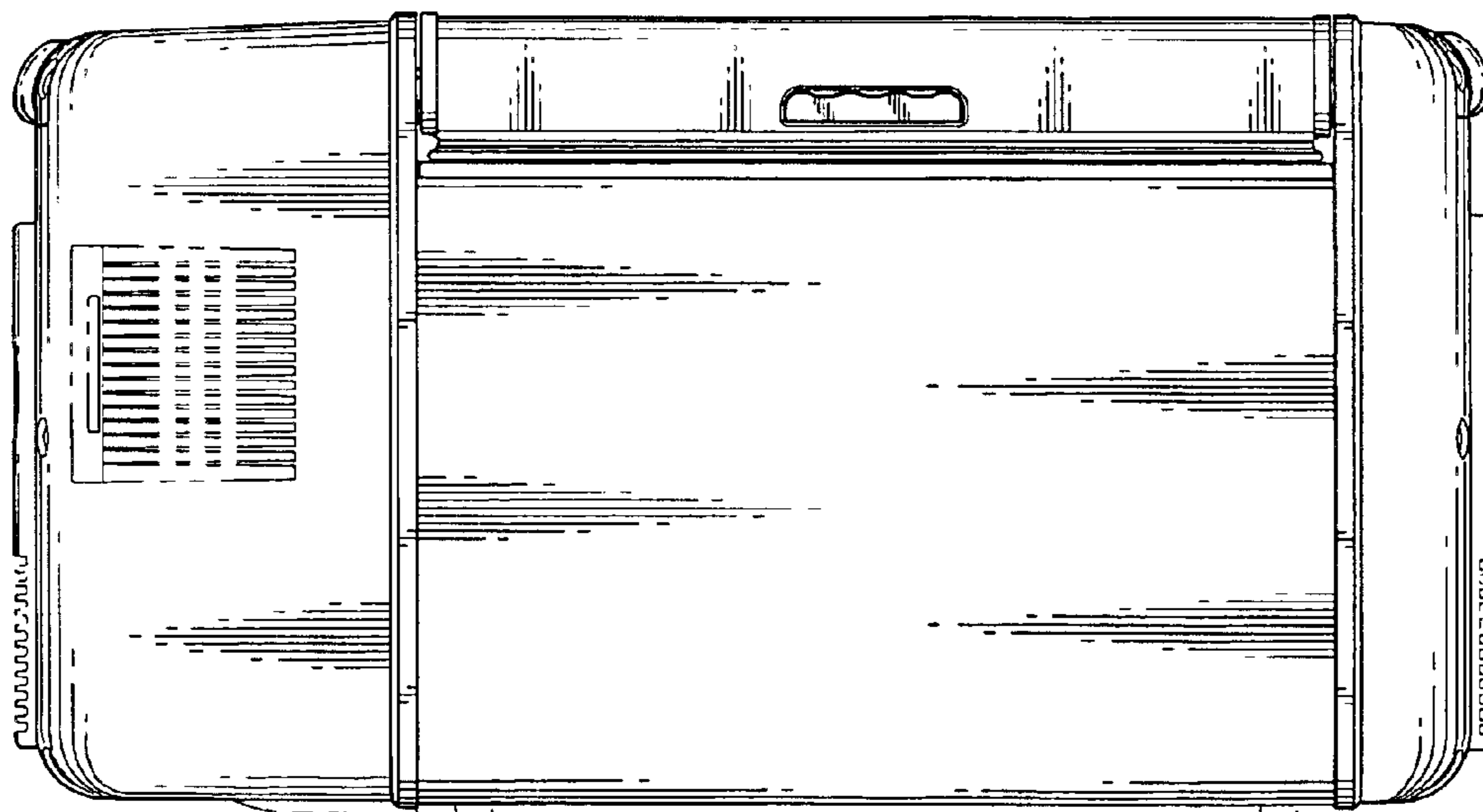


FIG. 6

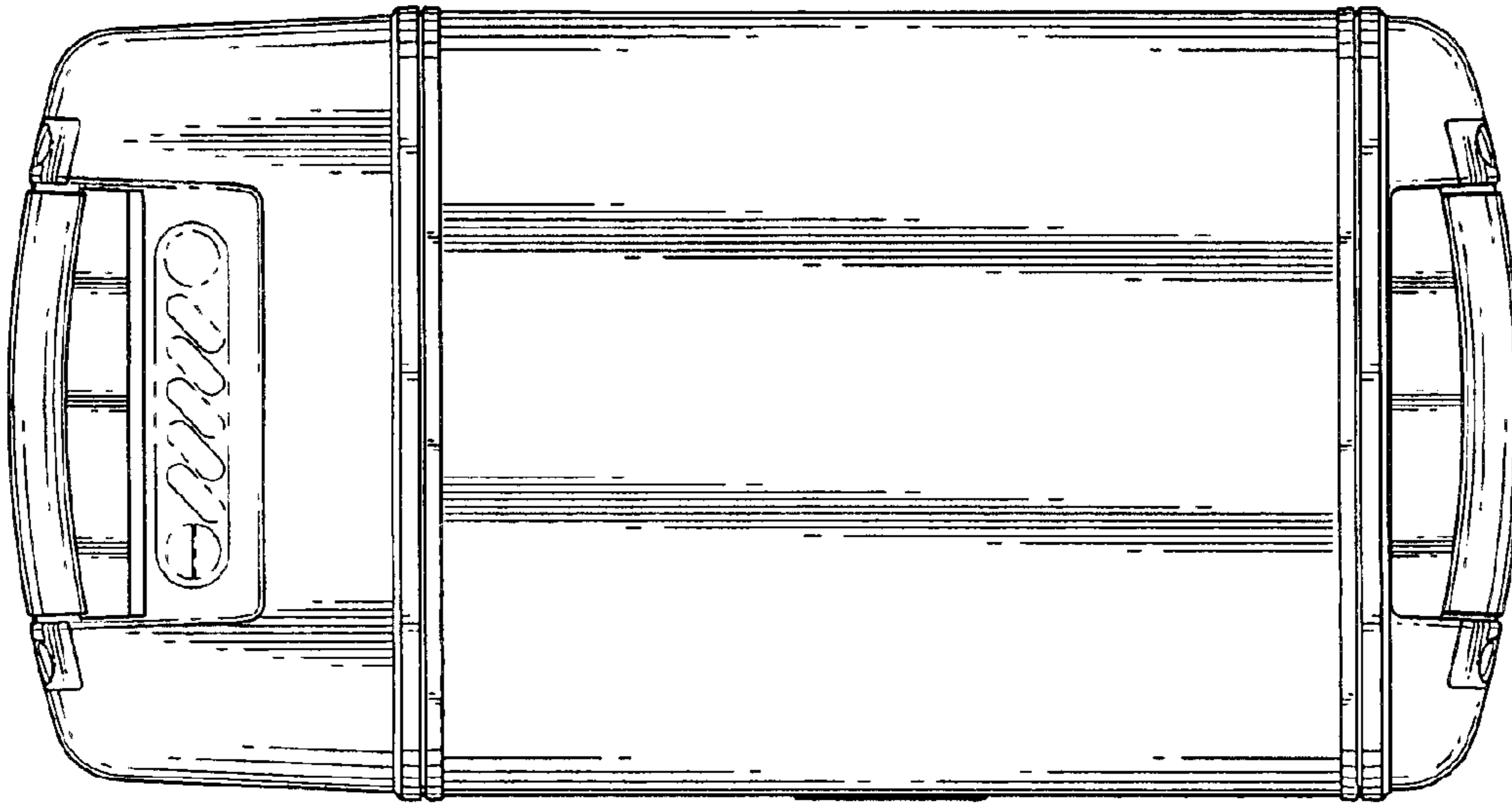


FIG. 7

