

US00D502844S

(12) **United States Design Patent**
Rohe

(10) **Patent No.:** **US D502,844 S**

(45) **Date of Patent:** **** Mar. 15, 2005**

(54) **TRAVEL MUG**

(76) **Inventor:** **Jeff Rohe**, 1159 Ty Dr., Medina, OH
(US) 44256

(**) **Term:** **14 Years**

(21) **Appl. No.:** **29/190,300**

(22) **Filed:** **Sep. 17, 2003**

(51) **LOC (7) Cl. 07-01**

(52) **U.S. Cl. D7/510; D7/511; D7/523**

(58) **Field of Search D7/510, 511, 523,**
D7/532, 509, 533; 215/388; 220/703, 705,
710, 603, 714, 715, 23.83, 769; 206/217,
541; 222/568, 129; D9/549, 503, 506, 453,
434, 447

(56) **References Cited**

U.S. PATENT DOCUMENTS

5,588,561 A	*	12/1996	Ness	222/129
D377,293 S	*	1/1997	Husted	D7/510
D399,392 S	*	10/1998	Husted	D7/511
D433,599 S	*	11/2000	Kristiansen et al.	D7/523
D442,029 S	*	5/2001	Otake	D7/510
D453,446 S	*	2/2002	Bodum	D7/510
D457,035 S	*	5/2002	Hurlbut	D7/510
D457,395 S	*	5/2002	Gluck	D7/510
D458,081 S	*	6/2002	Bodum	D7/510
D458,844 S	*	6/2002	Shea	D9/447
D459,992 S	*	7/2002	Olsen	D9/447
D460,894 S	*	7/2002	Ziegenfus et al.	D7/523
D462,236 S	*	9/2002	Hurlbut	D7/510
D476,193 S	*	6/2003	Janky	D7/510
D478,779 S	*	8/2003	Stamper, III et al.	D7/510
D480,267 S	*	10/2003	Freed et al.	D7/510
D482,933 S	*	12/2003	Norris et al.	D7/533

D483,615 S	*	12/2003	Norris et al.	D7/533
D486,996 S	*	2/2004	Karp	D7/510
D488,376 S	*	4/2004	Chung	D9/434
D490,272 S	*	5/2004	Rohe	D7/510
D492,157 S	*	6/2004	Bodum	D7/510

* cited by examiner

Primary Examiner—M. N. Pandozzi

(74) *Attorney, Agent, or Firm*—Hahn Loeser Parks, LLP;
W. Edward Crooks, Esq.

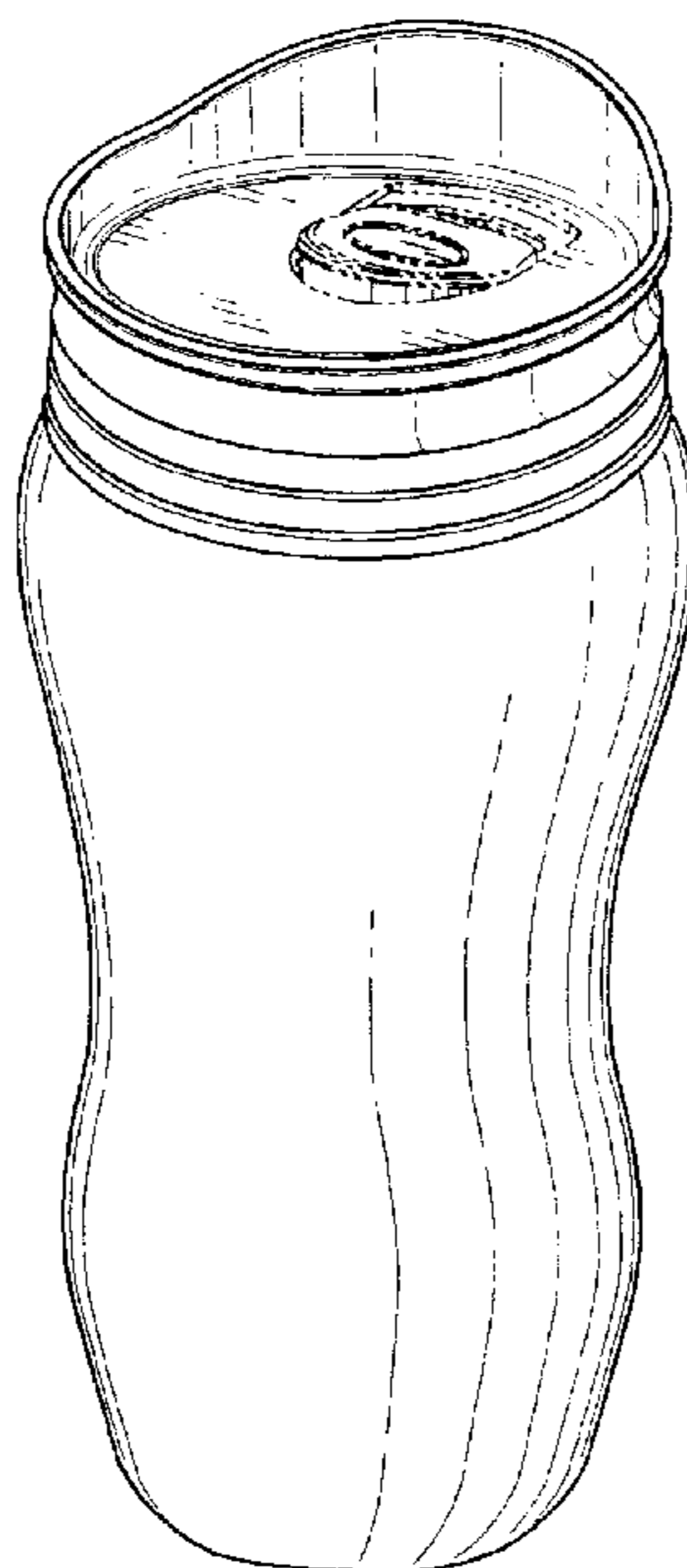
(57) **CLAIM**

The ornamental design for a travel mug, as shown and described.

DESCRIPTION

FIG. 1 is a perspective view of a travel mug in accordance with a first preferred embodiment of the present invention; FIG. 2 is a front view of the travel mug illustrated in FIG. 1; FIG. 3 is a rear view of the travel mug illustrated in FIG. 1; FIG. 4 is a right side view of the travel mug illustrated in FIG. 1; FIG. 5 is a left side view of the travel mug illustrated in FIG. 1; FIG. 6 is a top view of the travel mug illustrated in FIG. 1; FIG. 7 is a bottom view of the travel mug illustrated in FIG. 1; FIG. 8 is a perspective view of a second embodiment of a travel mug; and, FIG. 9 is a top view of the travel mug illustrated in FIG. 8, all views of the second embodiment other than FIGS. 8 and 9 being identical to the first embodiment. The broken lines shown in FIGS. 1-7 are for illustrative purposes only and form no part of the claimed invention.

1 Claim, 5 Drawing Sheets



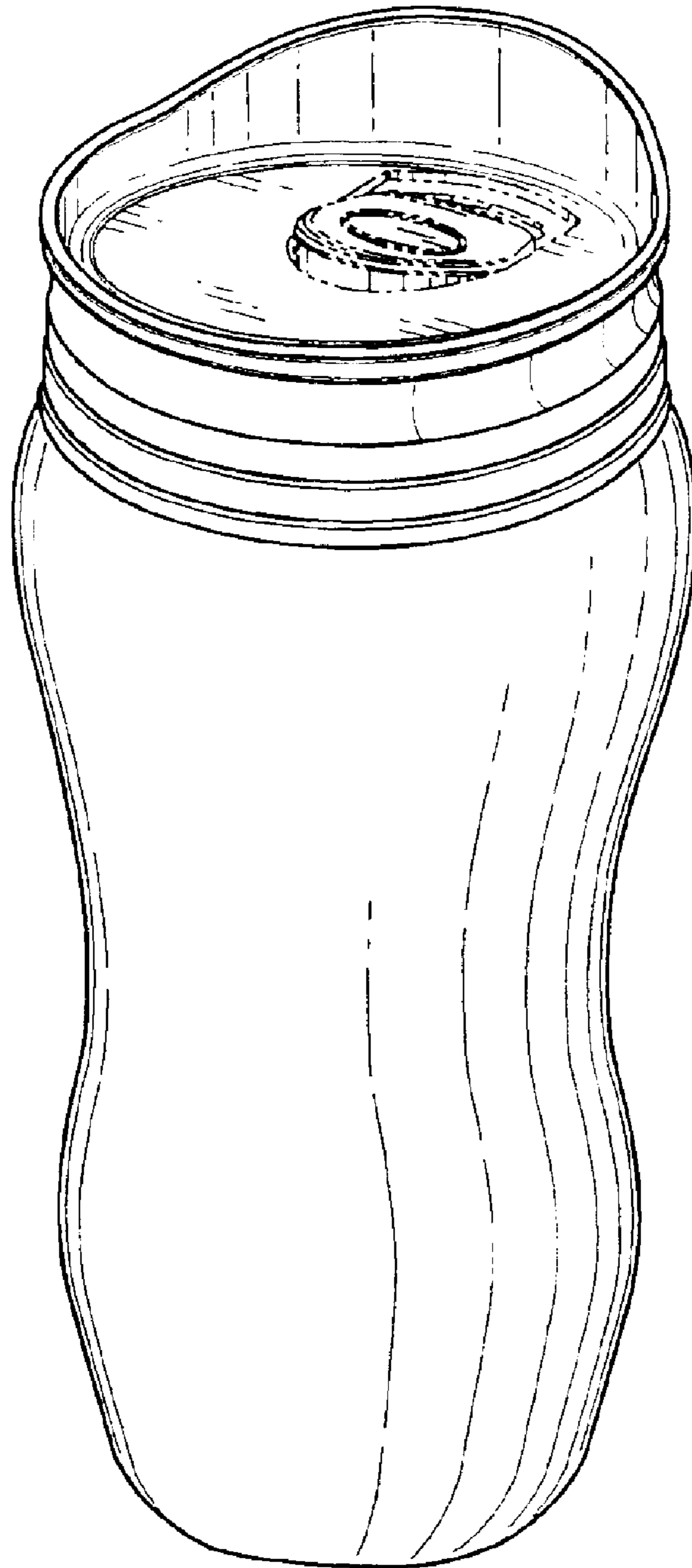


Fig. 1

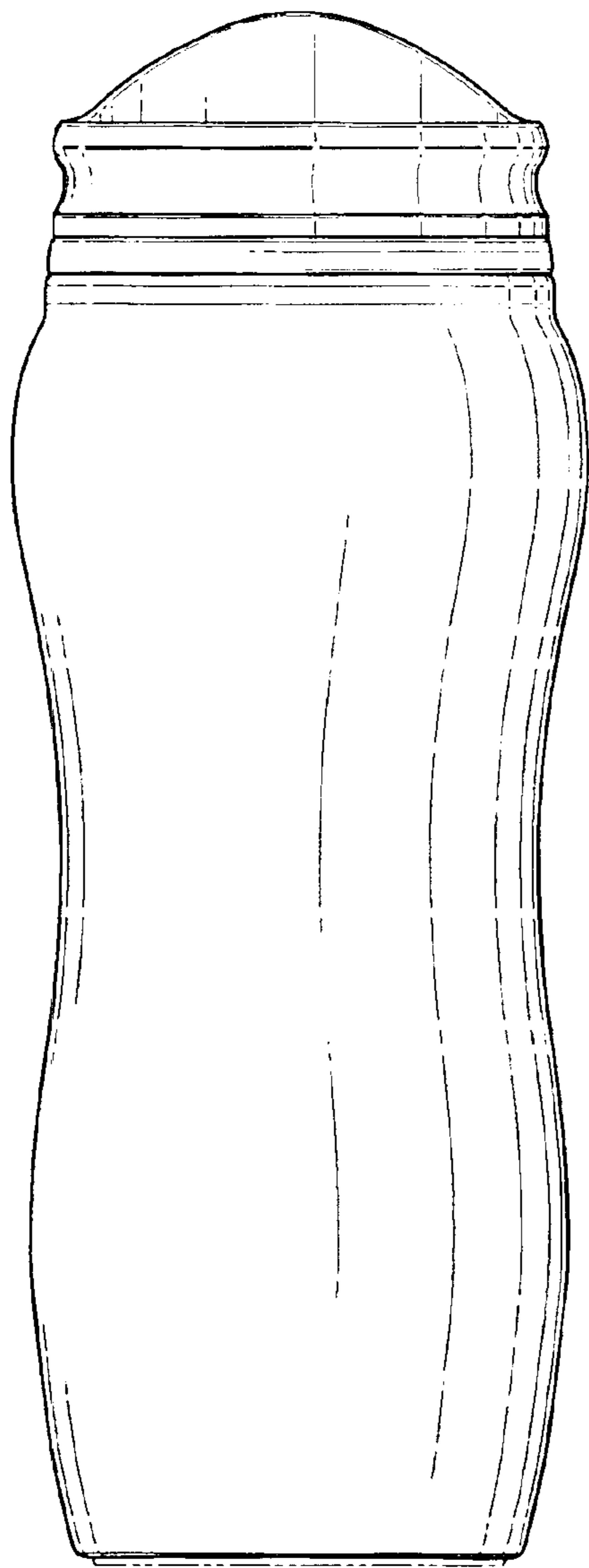


Fig. 2

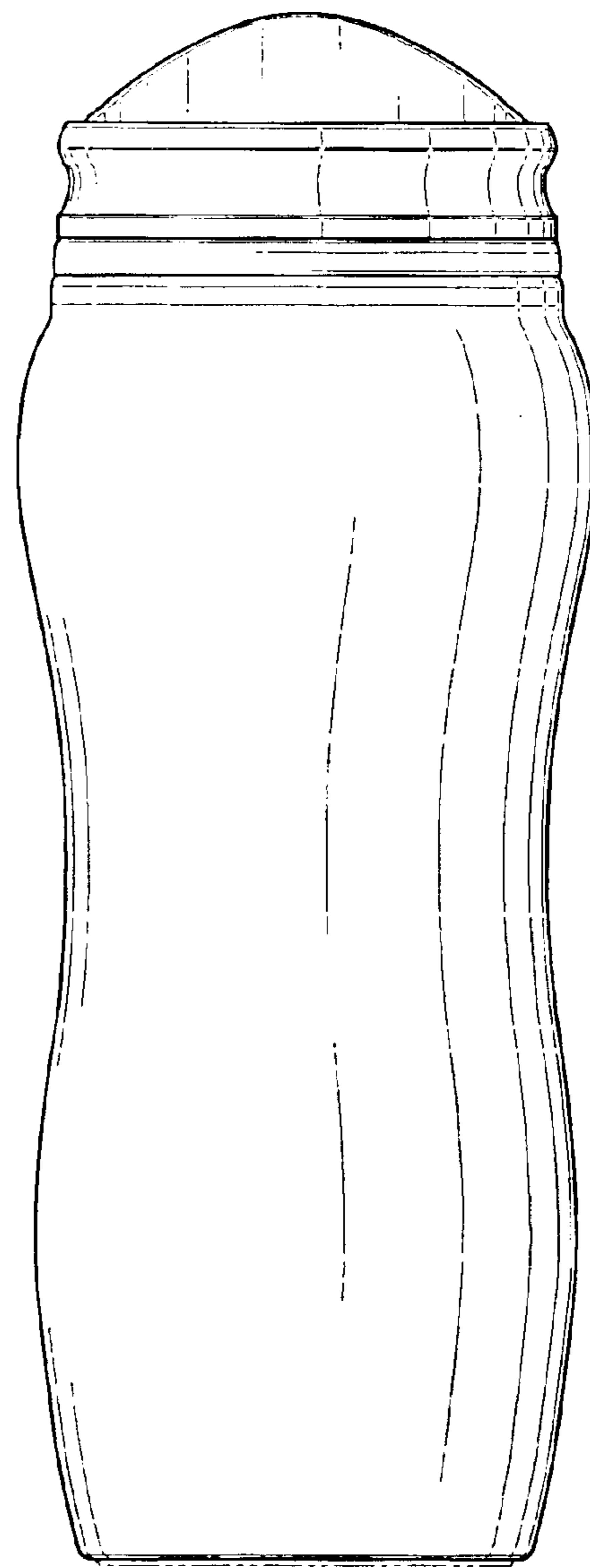


Fig. 3

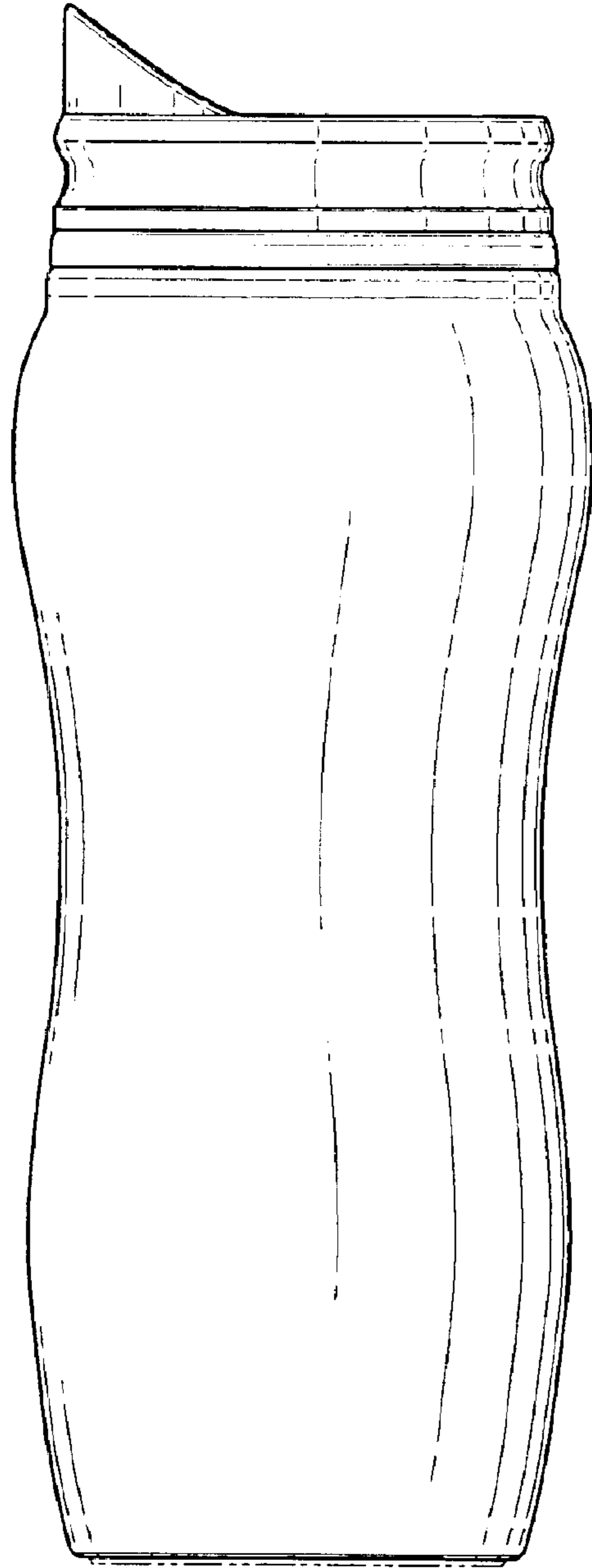


Fig. 4

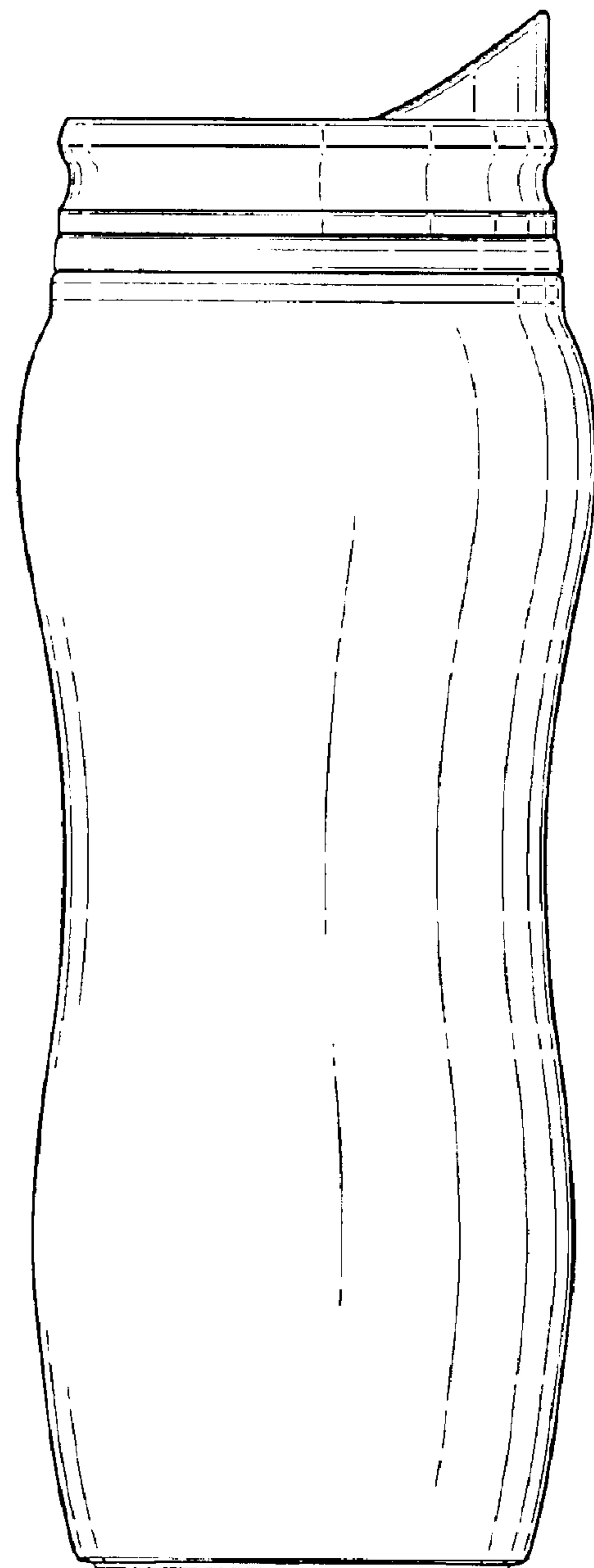


Fig. 5

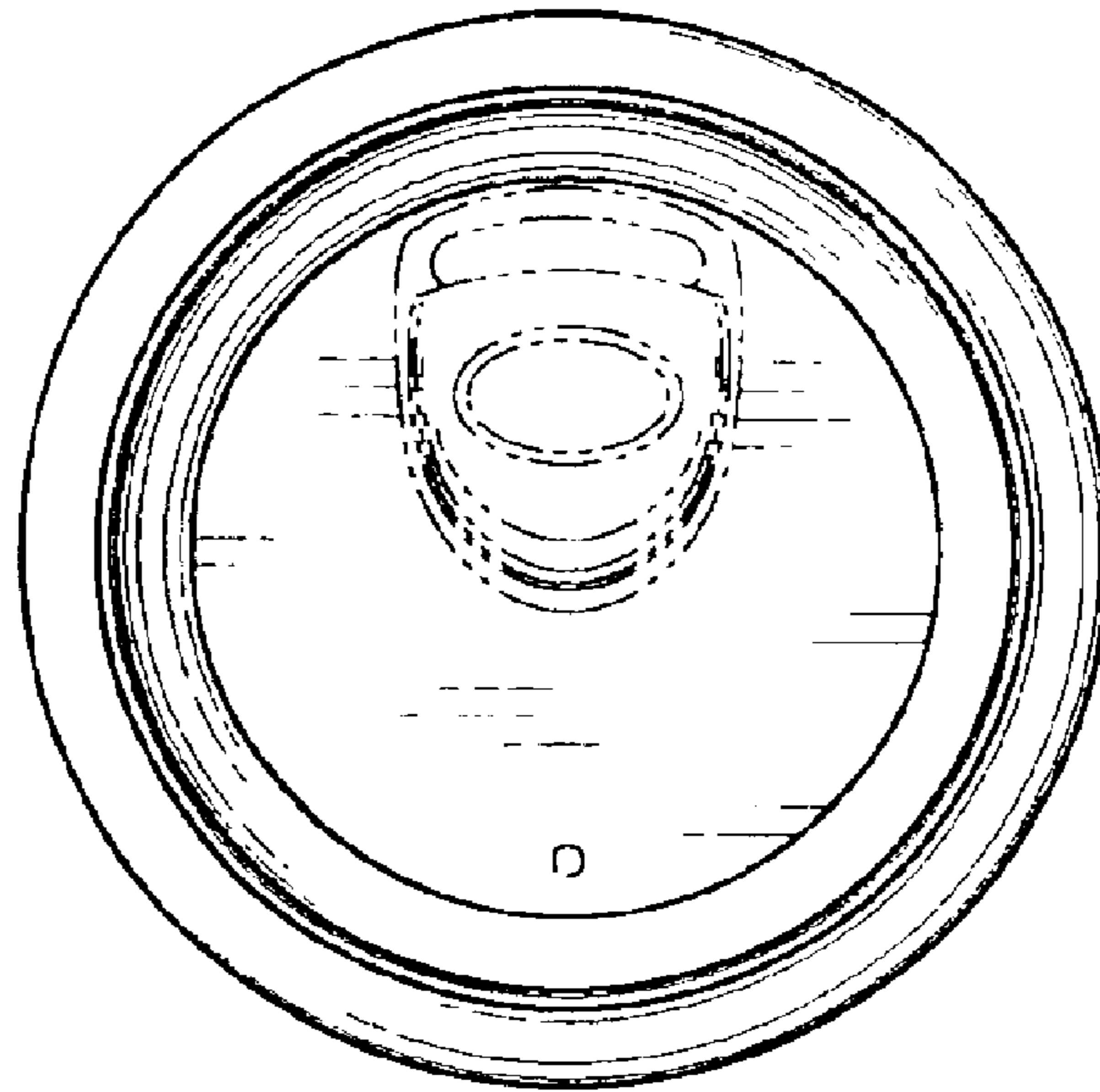


Fig. 6

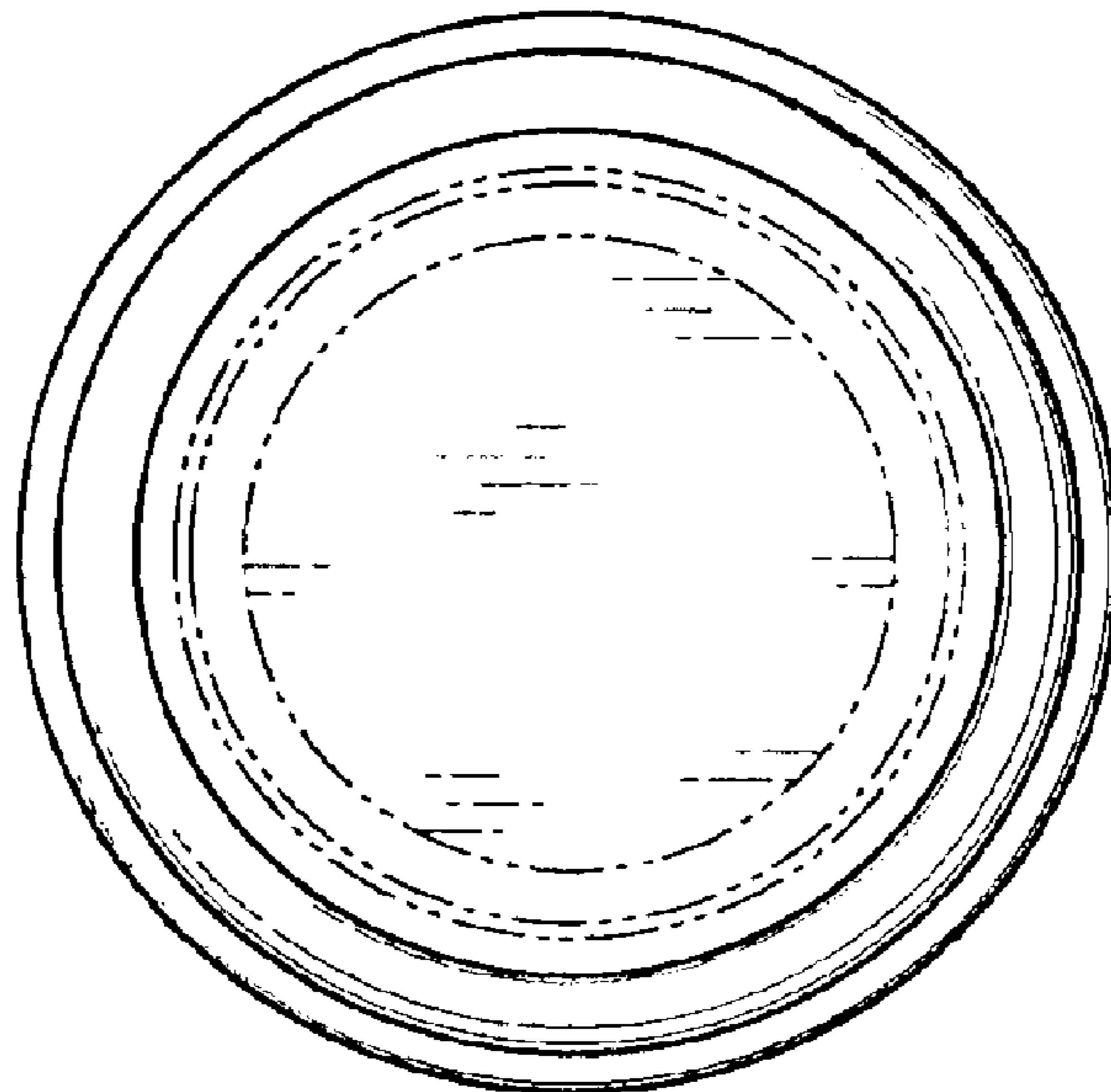


Fig. 7

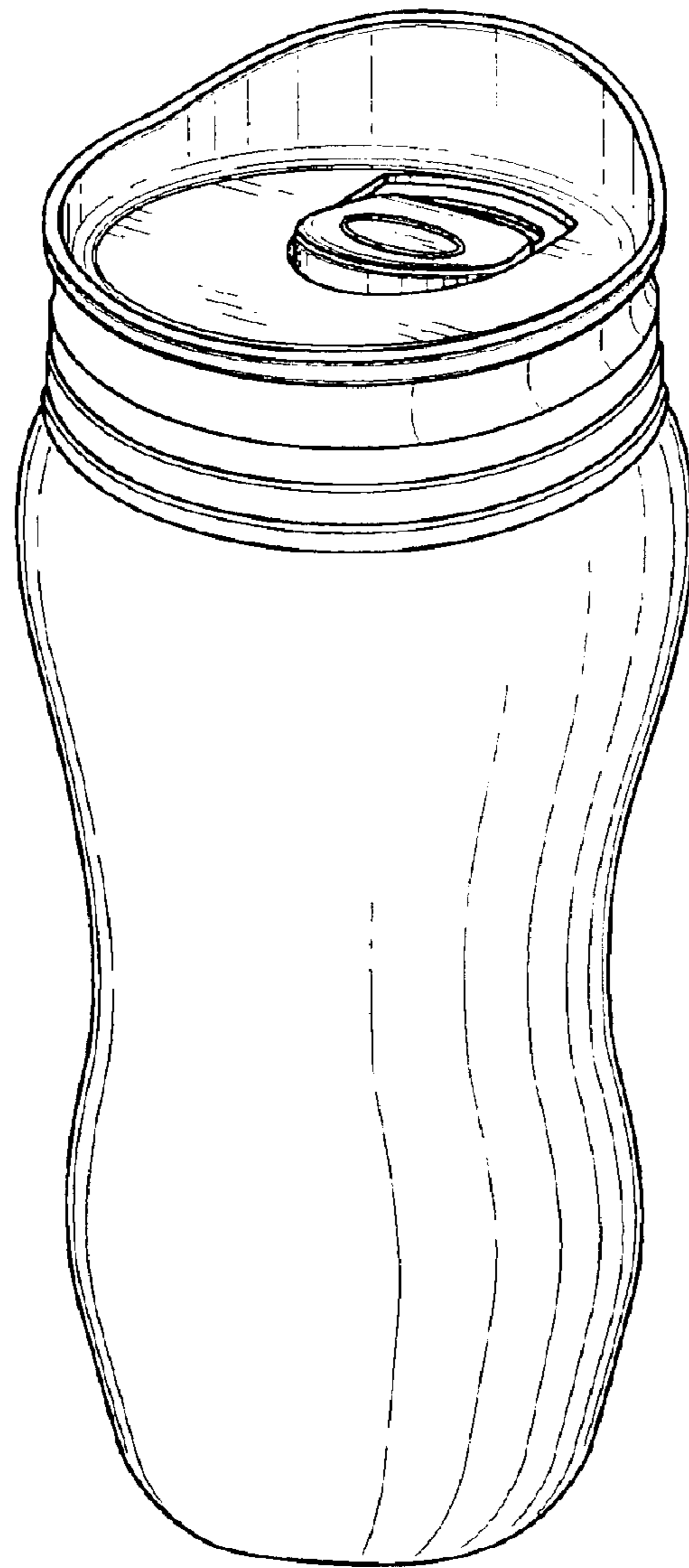


Fig. 8

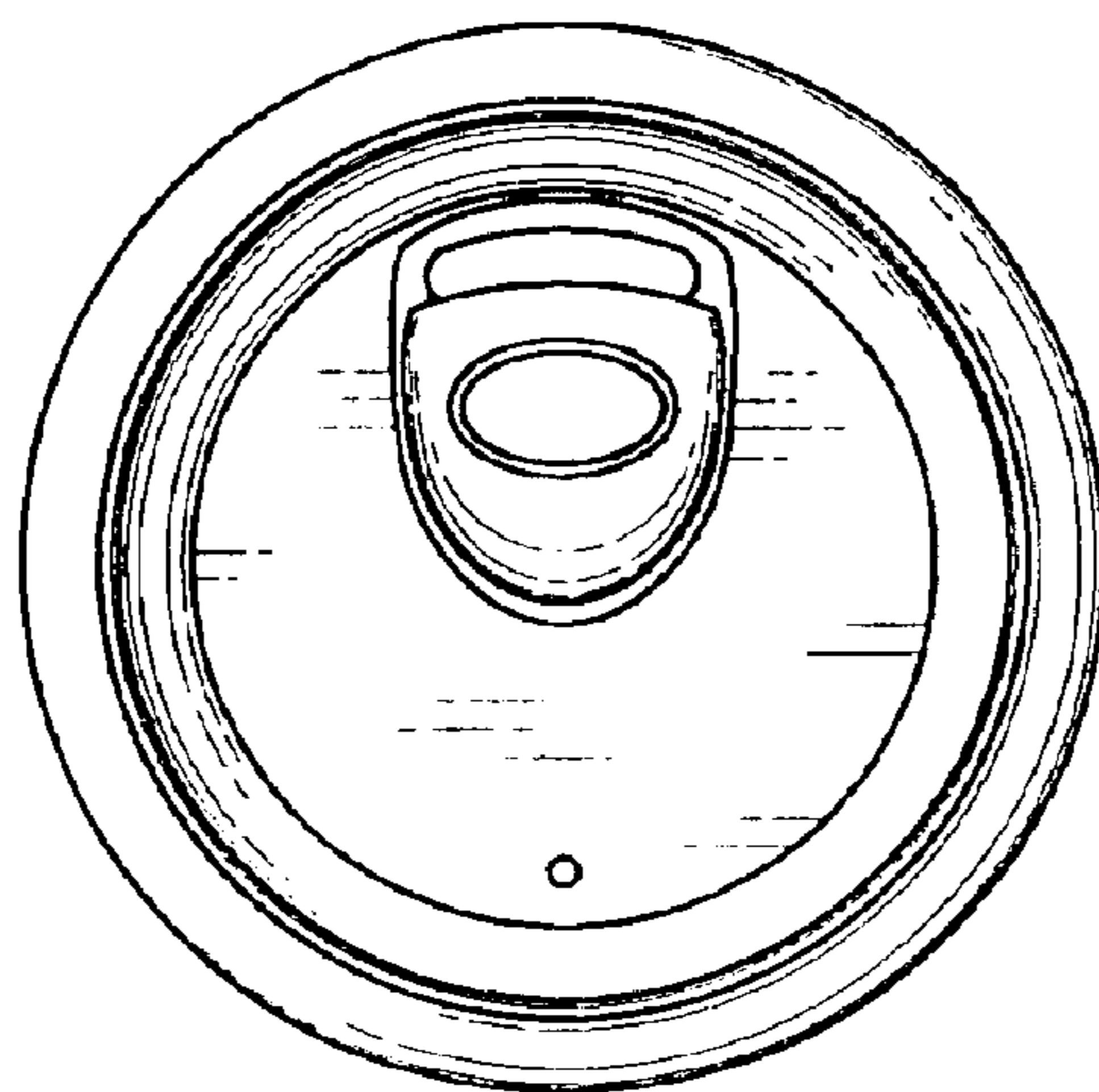


Fig. 9